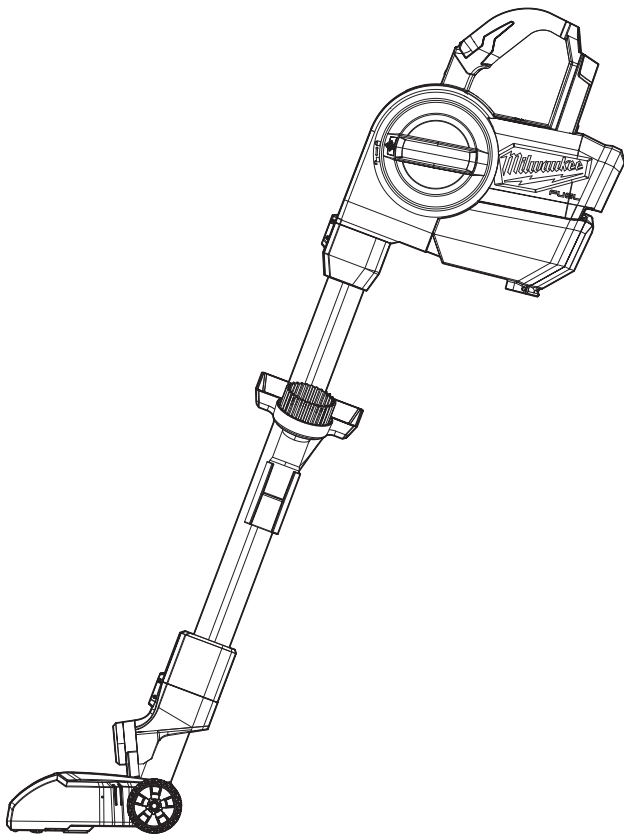




OPERATOR'S MANUAL
MANUEL de L'UTILISATEUR
MANUAL del OPERADOR



Cat. No./ No de cat.

0940-20

M18 FUEL™ COMPACT VACUUM
ASPIRATEUR COMPACT M18 FUEL™
ASPIRADORA COMPACTA M18 FUEL™



WARNING To reduce the risk of injury, user must read and understand operator's manual.

AVERTISSEMENT Afin de réduire le risque de blessures, l'utilisateur doit lire et bien comprendre le manuel.

ADVERTENCIA Para reducir el riesgo de lesiones, el usuario debe leer y entender el manual.



IMPORTANT SAFETY INSTRUCTIONS

⚠️WARNING WHEN USING AN ELECTRICAL VACUUM, BASIC PRECAUTIONS SHOULD ALWAYS BE FOLLOWED, INCLUDING THE FOLLOWING: READ ALL INSTRUCTIONS BEFORE USING VACUUM. BEFORE USING THE VACUUM, READ THIS OPERATOR'S MANUAL, BATTERY PACK AND CHARGER OPERATOR'S MANUALS, AND ALL LABELS ON THE VACUUM, BATTERY PACK, AND CHARGER. FAILURE TO FOLLOW THE WARNINGS AND INSTRUCTIONS MAY RESULT IN ELECTRIC SHOCK, FIRE AND/OR SERIOUS INJURY.

WORK AREA SAFETY

- Keep work area clean and well lit. Cluttered or dark areas invite accidents.
- Vacuums have motors and other parts that can produce sparks during normal use. Do not use within 30 feet of areas where explosive materials may be present (such as gasoline pumps and places where liquids like paint thinners, cleaners, solvents, etc. are stored).
- Do not use in the presence of explosive dust, liquids or vapors.
- Do not use where oxygen or anesthetics are used.
- Do not allow to be used as a toy. Close attention is necessary when used by or near children.
- Use extra care when using on stairs.

ELECTRICAL SAFETY

- Do not handle battery pack or vacuum with wet hands.

PERSONAL SAFETY

- **STAY ALERT.** Watch what you are doing and use common sense. Do not use vacuum when you are tired, distracted or under the influence of drugs, alcohol or medication causing diminished control.
- The operation of a vacuum can result in foreign objects being blown into eyes, which can result in eye damage. Always wear safety goggles or glasses with side shields when operating vacuum.
- Wear a dust mask or use an OSHA compliant vacuum solution when working in dusty situations. Dust particles can harm your lungs.
- Avoid accidental starting. Ensure the switch is in the off-position before inserting battery pack. Inserting battery pack in vacuum that has the switch on invites accidents.
- Do not overreach. Keep proper footing and balance at all times. This enables better control of the vacuum in unexpected situations.
- Keep hair, loose clothing, fingers, and all parts of body away from openings and moving parts.
- Use only as described in this manual. Use only manufacturer's recommended attachments.
- Prevent unintentional starting. Ensure the switch is in the off-position before connecting to power source and/or battery pack, picking up or carrying the tool. Carrying power tools with your finger on the switch or energizing power tools that have the switch on invites accidents.

VACUUM USE AND CARE

- Do not use without dust cannister and/or filter in place.
- Do not use to pick up flammable or combustible liquids such as gasoline or use in areas where they may be present.

- Do not pick up anything that is burning or smoking such as cigarettes, matches, or hot ashes.
- Do not pick up soot, cement, plaster or drywall dust without filter in place. These are very fine particles that may affect the performance of the motor or be exhausted back into the air.
- This product is suitable for collection of silica dust when used in accordance with these instructions. To reduce the risk of health hazards from other vapors or dust, do not vacuum carcinogenic, toxic or hazardous materials such as asbestos, arsenic, barium, beryllium, lead, pesticides or other health endangered materials.
- Use special care when emptying heavily loaded tanks.
- To avoid spontaneous combustion, empty dust box after each use.
- Do not leave vacuum unattended when battery pack is installed. Remove battery pack when not in use and before servicing.
- Disconnect the battery pack from the appliance before making any adjustments, changing accessories, or storing appliance. Such preventive safety measures reduce the risk of starting the appliance accidentally.
- Do not put any object into openings. Do not use with any opening blocked; keep free of dust, lint, hair, and anything else that may reduce air flow.
- Maintain vacuum. Check for misalignment or binding of moving parts, breakage of parts and any other condition that may affect the vacuum's operation. If damaged, have the vacuum repaired before use. Many accidents are caused by poorly maintained tools.

BATTERY TOOL USE AND CARE

- Recharge only with the charger specified by the manufacturer. A charger that is suitable for one type of battery pack may create a risk of fire when used with another battery pack.
- Use power tools only with specifically designated battery packs. Use of any other battery packs may create a risk of injury and fire.
- When battery pack is not in use, keep it away from other metal objects, like paper clips, coins, keys, nails, screws or other small metal objects, that can make a connection from one terminal to another. Shorting the battery terminals together may cause burns or a fire.
- Under abusive conditions, liquid may be ejected from the battery; avoid contact. If contact accidentally occurs, flush with water. If liquid contacts eyes, additionally seek medical help. Liquid ejected from the battery may cause irritation or burns.
- Do not use a battery pack or tool that is damaged or modified. Damaged or modified batteries may exhibit unpredictable behavior resulting in fire, explosion or risk of injury.

- Do not expose a battery pack or tool to fire or excessive temperature. Exposure to fire or temperature above 265°F (130°C) may cause explosion.
- Follow all charging instructions and do not charge the battery pack or tool outside the temperature range specified in the instructions. Charging improperly or at temperatures outside the specified range may damage the battery and increase the risk of fire.

SERVICE

- Have your power tool serviced by a qualified repair person using only identical replacement parts. This will ensure that the safety of the power tool is maintained.
- Do not modify or attempt to repair the appliance or the battery pack (as applicable) except as indicated in the instructions for use and care.

SPECIFIC SAFETY RULES FOR COMPACT VACUUM

- Never use vacuum without dust canister and filter in place.
- Wear ear protectors. Exposure to noise can cause hearing loss.
- Maintain labels and nameplates. These carry important information. If unreadable or missing, contact a MILWAUKEE service facility for a free replacement.
- **⚠️WARNING** To reduce the risk of injury, when working in dusty situations, wear appropriate respiratory protection or use an OSHA compliant dust extraction solution.
- Always use common sense and be cautious when using tools. It is not possible to anticipate every situation that could result in a dangerous outcome. Do not use this tool if you do not understand these operating instructions or you feel the work is beyond your capability; contact Milwaukee Tool or a trained professional for additional information or training.

- **⚠️WARNING** Some dust created by power sanding, sawing, grinding, drilling, and other construction activities contains chemicals known to cause cancer, birth defects or other reproductive harm. Some examples of these chemicals are:
 - lead from lead-based paint
 - crystalline silica from bricks and cement and other masonry products, and
 - arsenic and chromium from chemically-treated lumber.
 Your risk from these exposures varies, depending on how often you do this type of work. To reduce your exposure to these chemicals: work in a well ventilated area, and work with approved safety equipment, such as those dust masks that are specially designed to filter out microscopic particles.

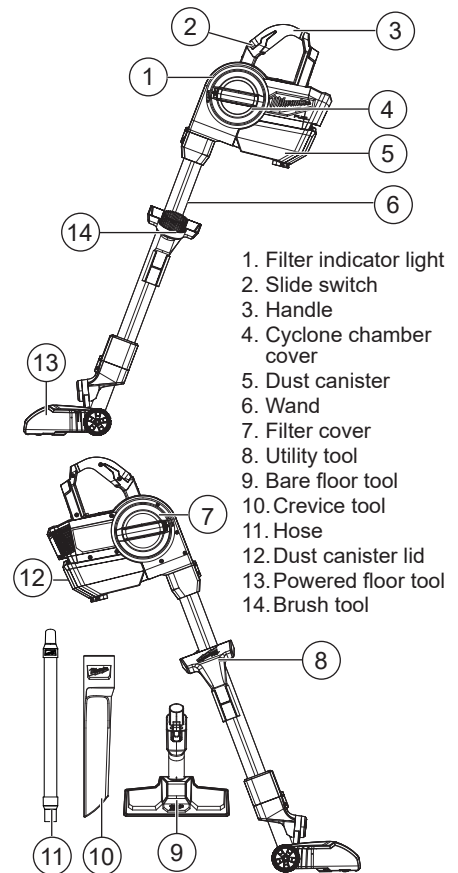
READ AND SAVE ALL INSTRUCTIONS FOR FUTURE USE

FOR HOUSEHOLD OR COMMERCIAL USE.

SYMBOLLOGY

- Volts
- Direct Current
- Read operator's manual
- Filter Cover
- Cyclone Chamber
- UL Listing for Canada and U.S.

FUNCTIONAL DESCRIPTION



1. Filter indicator light
2. Slide switch
3. Handle
4. Cyclone chamber cover
5. Dust canister
6. Wand
7. Filter cover
8. Utility tool
9. Bare floor tool
10. Crevice tool
11. Hose
12. Dust canister lid
13. Powered floor tool
14. Brush tool

SPECIFICATIONS

Cat. No.	0940-20
Volts.....	18 DC
Battery Type.....	M18™
Charger Type.....	M18™
Max Air Flow.....	32 CFM
Max Suction.....	80 inH2O
Debris Type.....	For Dry Use Only
Capacity.....	0.25 Gal. (0.9 L)
Recommended Ambient Operating Temperature.....	0°F to 125°F
Wand.....	45-86-0068
Flexible Hose.....	14-37-0109
Crevice Tool.....	31-01-0865
Brush Tool.....	49-90-2017
Non-Powered Floor Tool.....	31-01-0102
Power Floor Tool.....	31-01-0101
Filter.....	49-90-2012
Utility Tool.....	31-01-0104

ASSEMBLY

⚠WARNING Recharge only with the charger specified for the battery. For specific charging instructions, read the operator's manual supplied with your charger and battery.

Removing/Inserting the Battery

To **remove** the battery, push in the release buttons and pull the battery pack away from the tool.

⚠WARNING Always remove battery pack before changing or removing accessories.

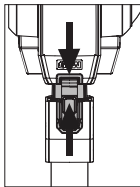
To **insert** the battery, slide the pack into the body of the tool. Make sure it latches securely into place.

⚠WARNING Only use accessories specifically recommended for this tool. Others may be hazardous.

Installing/Removing the Accessories

To install the nozzles, hoses or extensions, push the accessory onto the vacuum inlet. All accessories may be used with or without the extension wand.

To **attach** the extension wand, press lever down and slide the extension tube onto the vacuum until it clicks.



OPERATION

⚠WARNING To reduce the risk of injury, always wear proper eye protection marked to comply with ANSI Z87.1.

When working in dusty situations, wear appropriate respiratory protection or use an OSHA compliant dust extraction solution.

To reduce the risk of fire and injury, do not use to pick up flammable or combustible materials.

Empty dust canister before use.

Starting, Stopping, and Controlling Air flow

To **start** the vacuum, push the slide switch to desired speed. Level one is low speed. Level two is high speed. To **stop** the vacuum, push the slide switch to zero.

Filter Indicator Light

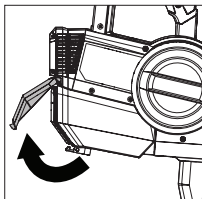
The filter indicator light will remain off during normal tool use. The filter indicator light will turn red when the filter needs changing or the tool is overheating. Stop using tool and replace the filter.

⚠WARNING To reduce the risk of injury, always remove the battery pack before removing the dust canister. Do not use tool without dust canister and filter in place.

Emptying the Dust Canister

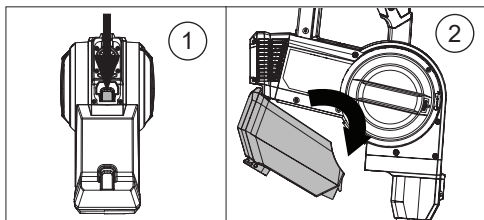
To **empty** the dust canister:

1. Turn OFF the tool.
2. Remove the battery pack.
3. While holding over the trash, unlatch the dust canister. Empty dust from the canister. Tap the vacuum gently to dislodge any remaining dust.



To **remove** the dust canister:

1. Press the dust canister unHINGE button.
2. UnHINGE the canister by pulling the canister down and away from the vacuum.



3. Remove the dust canister and empty any remaining debris from the canister.

MAINTENANCE

⚠WARNING To reduce the risk of injury, always unplug the charger and remove the battery pack from the charger or tool before performing any maintenance. Never disassemble the tool, battery pack or charger. Contact a MILWAUKEE service facility for ALL repairs.

Maintaining Tool

Keep your tool, battery pack and charger in good repair by adopting a regular maintenance program. Inspect your tool for issues such as undue noise, misalignment or binding of moving parts, breakage of parts, or any other condition that may affect the tool operation. Return the tool, battery pack, and charger to a MILWAUKEE service facility for repair. After six months to one year, depending on use, return the tool, battery pack and charger to a MILWAUKEE service facility for inspection.

If the tool does not start or operate at full power with a fully charged battery pack, clean the contacts on the battery pack. If the tool still does not work properly, return the tool, charger and battery pack, to a MILWAUKEE service facility for repairs.

⚠WARNING To reduce the risk of personal injury and damage, never immerse your tool, battery pack or charger in liquid or allow a liquid to flow inside them.

Cleaning

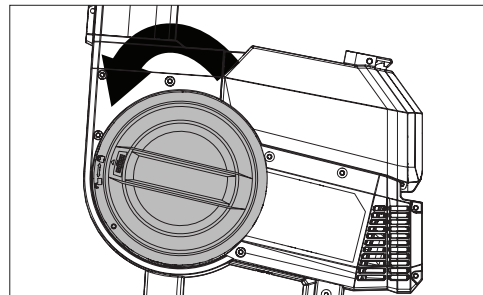
Clean dust and debris from vents. Keep handles clean, dry and free of oil or grease. Use only mild soap and a damp cloth to clean, since certain cleaning agents and solvents are harmful to plastics and other insulated parts. Some of these include gasoline, turpentine, lacquer thinner, paint thinner, chlorinated cleaning solvents, ammonia and household detergents containing ammonia. Never use flammable or combustible solvents around tools.

⚠CAUTION Keep filter clean. Efficiency of the vacuum is largely dependent on the filter. A dirty filter will reduce the air flow and overall efficiency of the system. Do not clean with water. Remove from tank and tap clean.

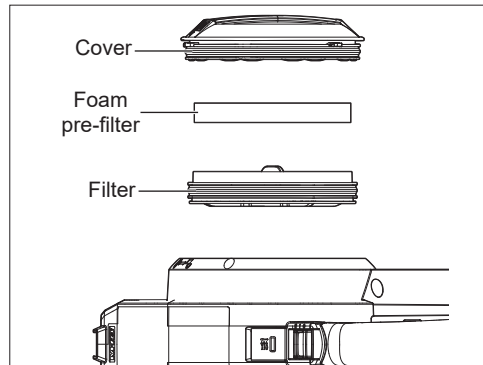
Removing/Installing the Filter

To **install** the filter:

1. Remove the battery pack.
2. Twist the filter cover counterclockwise to unlock.



3. To **remove**, lift the cover away from the tool.
4. Remove the foam pre-filter from the chamber.
5. Lift the filter from the chamber.



6. Clean the filter by twisting the filter cover counterclockwise to unlock from the canister. Pull the filter away from the vacuum and tap clean. Water may be used to clean the filter.

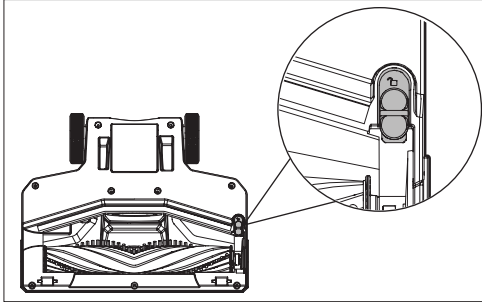
NOTE: If cleaning with water, let filter dry 24 hours before using with vacuum. Replace filter if damaged or suction decreases (Single pack, Cat. No. 49-90-2012).

7. Install the new filter.
8. Place the foam pre-filter back on top of the filter.
9. Place the cover on the chamber, pressing down.
10. Twist the cover clockwise to lock.

NOTE: Do not operate the vacuum without the dust canister and filter in place.

Cleaning the Brush Tool

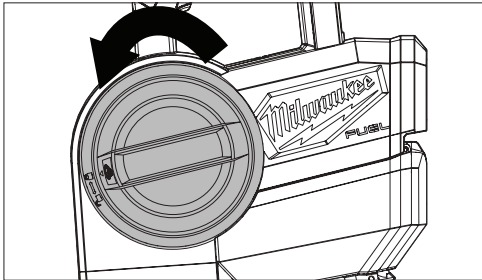
Remove the battery pack. Remove the power floor tool from the vacuum. To clean the brush tool, slide the switch down to the unlock position and lift the brush tool out to remove any excess debris.



Cleaning the Cyclone Chamber

To clean the cyclone chamber:

1. Remove the battery pack.
2. Twist the chamber cover counterclockwise to unlock.



3. To remove, lift the cover away from the tool.
4. Clean chamber if clogged.

NOTE: To clean the inner cyclone, twist it counterclockwise to remove it from the cyclone cover. To replace, rotate the inner cyclone clockwise back onto the cyclone cover.

5. Place the cover on the chamber, pressing down.
6. Twist the cover clockwise to lock.

Repairs

For repairs, return the tool, battery pack and charger to the nearest authorized service center.

ACCESSORIES

⚠ WARNING Use only recommended accessories. Others may be hazardous.

For a complete listing of accessories, go online to www.milwaukeeetool.com or contact a distributor.

SERVICE - UNITED STATES

1-800-SAWDUST (1.800.729.3878)

Monday-Friday, 7:00 AM - 6:30 PM CST

or visit www.milwaukeeetool.com

Contact Corporate After Sales Service Technical Support with technical, service/repair, or warranty questions.

Email: metproductsupport@milwaukeeetool.com

Become a Heavy Duty Club Member at www.milwaukeeetool.com to receive important notifications regarding your tool purchases.

SERVICE - CANADA

Milwaukee Tool (Canada) Ltd

1.800.268.4015

Monday-Friday, 7:00 AM - 4:30 PM CST

or visit www.milwaukeeetool.ca

LIMITED WARRANTY USA & CANADA

Every MILWAUKEE power tool* (see exceptions below) is warranted to the original purchaser only to be free from defects in material and workmanship. Subject to certain exceptions, MILWAUKEE will repair or replace any part on an electric power tool which, after examination, is determined by MILWAUKEE to be defective in material or workmanship for a period of five (5) years** after the date of purchase unless otherwise noted. Return of the power tool to a MILWAUKEE factory Service Center location or MILWAUKEE Authorized Service Station, freight prepaid and insured, is required. A copy of the proof of purchase should be included with the return product. This warranty does not apply to damage that MILWAUKEE determines to be from repairs made or attempted by anyone other than MILWAUKEE authorized personnel, misuse, alterations, abuse, normal wear and tear, lack of maintenance, or accidents.

Normal Wear: Many power tools need periodic parts replacement and service to achieve best performance. This warranty does not cover repair when normal use has exhausted the life of a part including, but not limited to, chucks, brushes, cords, saw shoes, blade clamps, o-rings, seals, bumpers, driver blades, pistons, strikers, lifters, and bumper cover washers.

*This warranty does not cover Air Nailers & Staplers; Airless Paint Sprayer; Cordless Battery Packs; Gasoline Driven Portable Power Generators; Hand Tools; Hoist - Electric, Lever & Hand Chain; M12™ Heated Gear; Reconditioned Product; and Test & Measurement Products. There are separate and distinct warranties available for these products.

**The warranty period for Job Site Radios, M12™ Power Port, M18™ Power Source, Jobsite Fan and Trade Titan™ Industrial Work Carts is one (1) year from the date of purchase. The warranty period for the M18 FUEL™ 1" D-Handle High Torque Impact Wrenches, Drain Cleaning Cables and AIRSNAKE™ Drain Cleaning Air Gun Accessories is two (2) years from the date of purchase. The warranty period for the M18™ Compact Heat Gun, 8 Gallon Dust Extractor, M18™ Framing Nailers, M18 FUEL™ 1/2" Ext. Anvil Controlled Torque Impact Wrench w/ ONE-KEY™, M18 FUEL™ 1" High Torque Impact Wrench w/ ONE-KEY™, and the M18 FUEL™ 2 Gal. Compact Quiet Compressor is three (3) years from the date of purchase. The warranty period for the LED in the LED Work Light and the LED Upgrade Bulb for the Work Light is the lifetime of the product subject to the limitations above. If during normal use the LED or LED Bulb fails, the part will be replaced free of charge. Warranty Registration is not necessary to obtain the applicable warranty on a MILWAUKEE power tool product. The manufacturing date of the product will be used to determine the warranty period if no proof of purchase is provided at the time warranty service is requested.

ACCEPTANCE OF THE EXCLUSIVE REPAIR AND REPLACEMENT REMEDIES DESCRIBED HEREIN IS A CONDITION OF THE CONTRACT FOR THE PURCHASE OF EVERY MILWAUKEE PRODUCT. IF YOU DO NOT AGREE TO THIS CONDITION, YOU SHOULD NOT PURCHASE THE PRODUCT. IN NO EVENT SHALL MILWAUKEE BE LIABLE FOR ANY INCIDENTAL, SPECIAL, CONSEQUENTIAL OR PUNITIVE DAMAGES, OR FOR ANY COSTS, ATTORNEY FEES, EXPENSES, LOSSES OR DELAYS ALLEGED TO BE AS A CONSEQUENCE OF ANY DAMAGE TO, FAILURE OF, OR DEFECT IN ANY PRODUCT INCLUDING, BUT NOT LIMITED TO, ANY CLAIMS FOR LOSS OF PROFITS. SOME STATES DO NOT ALLOW THE EXCLUSION OR LIMITATION OF INCIDENTAL OR CONSEQUENTIAL DAMAGES, SO THE ABOVE LIMITATION OR EXCLUSION MAY NOT APPLY TO YOU. THIS WARRANTY IS EXCLUSIVE AND IN LIEU OF ALL OTHER EXPRESS WARRANTIES, WRITTEN OR ORAL. TO THE EXTENT PERMITTED BY LAW, MILWAUKEE DISCLAIMS ANY IMPLIED WARRANTIES, INCLUDING WITHOUT LIMITATION ANY IMPLIED WARRANTY OF MERCHANTABILITY OR FITNESS FOR A PARTICULAR USE OR PURPOSE, TO THE EXTENT SUCH DISCLAIMER IS NOT PERMITTED BY LAW, SUCH IMPLIED WARRANTIES ARE LIMITED TO THE DURATION OF THE APPLICABLE EXPRESS WARRANTY AS DESCRIBED ABOVE. SOME STATES DO NOT ALLOW LIMITATIONS ON HOW LONG AN IMPLIED WARRANTY LASTS. SO THE ABOVE LIMITATION MAY NOT APPLY TO YOU. THIS WARRANTY GIVES YOU SPECIFIC LEGAL RIGHTS, AND YOU MAY ALSO HAVE OTHER RIGHTS WHICH VARY FROM STATE TO STATE.

This warranty applies to product sold in the U.S.A. and Canada only. Please consult the 'Service Center Search' in the Parts & Service section of MILWAUKEE's website www.milwaukeeetool.com or call 1.800.SAWDUST (1.800.729.3878) to locate your nearest service facility for warranty and non-warranty service on a Milwaukee electric power tool.

RÈGLES GÉNÉRALES DE SÉCURITÉ

⚠ AVERTISSEMENT

LORSDE L'UTILISATION D'UN ASPIRATEUR ÉLECTRIQUE, DES PRÉCAUTIONS ÉLÉMENTAIRES, Y COMPRIS CELLES PRÉSENTÉES CI-DESSOUS, DOIVENT TOUJOURS ÊTRE PRISES EN COMPTE : LIRE TOUTES LES INSTRUCTIONS AVANT D'UTILISER L'ASPIRATEUR. AVANT D'UTILISER L'ASPIRATEUR, LIRE LE PRÉSENT MANUEL D'UTILISATION, LE MANUEL D'UTILISATION DU BLOC-PILES ET DU CHARGEUR, AINSI QUE TOUTES LES ÉTIQUETTES SE TROUVANT SUR L'ASPIRATEUR, LE BLOC-PILES, ET LE CHARGEUR. NE PAS SUIVRE L'ENSEMBLE DES AVERTISSEMENTS ET INSTRUCTIONS PEUT ENTRAÎNER UN CHOC ÉLECTRIQUE, UN INCENDIE ET/OU DES BLESSURES GRAVES.

SÉCURITÉ DU LIEU DE TRAVAIL

- Veuillez conserver votre zone de travail propre et bien éclairée. Les zones encombrées ou sombres sont propices aux accidents.
- Les aspirateur et autres pièces pouvant produire des étincelles durant leur fonctionnement normal. Veuillez conserver une distance de 10 mètres avec les zones pouvant contenir des matières explosives (tels que des pompes à essence et des endroits où des produits comme du diluant à peinture, des produits nettoyants, des solvants, etc. sont stockés).
- Ne pas utiliser en présence de poussières, liquides ou vapeurs explosives.
- Ne pas utiliser là où de l'oxygène ou des anesthésiants sont utilisés.
- Interdire son utilisation comme un jouet. Portez une attention particulière lorsque l'appareil est utilisé par ou proche d'enfants.
- Utilisez des soins supplémentaires lors de l'utilisation sur les escaliers.

SÉCURITÉ ÉLECTRIQUE

- Ne pas manipuler la batterie ou le aspirateur mains mouillées.

SÉCURITÉ INDIVIDUELLE

- RESTEZ ATTENTIF Restez attentif à ce que vous faites et utilisez votre bon sens. N'utilisez pas le dépolviseur si vous êtes fatigué, distrait ou sous l'influence de drogues, d'alcool ou d'une médication pouvant entraîner une diminution de votre contrôle.

- Lors du fonctionnement d'un aspirateur des objets étrangers peuvent être projetés dans les yeux, pouvant entraîner des blessures à l'oeil. Toujours porter des lunettes de sécurité ou des lunettes avec des protections latérales lorsque vous utilisez le aspirateur.
- Porter un masque anti-poussière ou utiliser une solution d'extraction de poussière conforme aux normes OSHA pendant que vous travaillez dans des circonstances poussiéreuses. Les particules de poussière peuvent nuire vos poumons.
- Éviter les démarrages accidentels. Veuillez vous assurer que l'interrupteur est sur la position arrêté avant d'insérer la batterie. Insérer la batterie dans le aspirateur dont l'interrupteur est sur le position marche est propice aux accidents.
- Ne pas trop tendre les bras lors de son utilisation. Toujours se tenir bien campé et en équilibre. Ceci vous permettra d'avoir un meilleur contrôle du aspirateur lors de situations inattendues.
- Gardez les cheveux, les vêtements amples et les doigts loin des ouvertures et des parties en mouvement.
- Utiliser seulement tel que décrit dans le présent manuel. N'utiliser que les attaches recommandées par le fabricant.
- Empêcher les démarrages accidentels. S'assurer que la gâchette est en position d'arrêt avant de brancher l'outil à une source de courant, d'insérer la batterie, de le ramasser ou de le transporter. Le fait de transporter un outil électrique en gardant le doigt sur la gâchette ou de mettre sous tension un outil électrique lorsque la gâchette est en position de marche favorise les accidents.

UTILISATION ET ENTRETIEN DE L'OUTIL ÉLECTRIQUE

- Ne pas utiliser si la boîte à poussière et/ou les filtres ne sont pas en place.
- Ne pas utiliser pour ramasser des liquides inflammables tels que l'essence ou ne pas utiliser dans des endroits où de tels produits peuvent être présents.
- Ne pas ramasser de matériaux en feu ou fumants comme des cigarettes, des allumettes ou des cendres chaudes.
- Ne pas ramasser de saie, de ciment, de plâtre ou de poussière de cloison sèche sans filtre en place. Il s'agit de particules très fines pouvant affecter la performance du moteur ou être rejetées dans l'air.
- Ce produit convient à la collecte de la poussière de silice lorsqu'il est utilisé conformément à ces instructions. Afin de réduire les risques pour la santé issus de autres vapeurs ou de poussières, ne pas aspirer de matières toxiques, cancérigènes ou autres matières dangereuses comme l'amiante, l'arsenic, le baryum, le béryllium, le plomb, les pesticides ou autres matières pouvant mettre en danger la santé.
- Apportez une attention toute particulière lorsque vous videz des réservoirs très chargés.
- Afin d'éviter toute combustion spontanée, vider la boîte à poussière après chaque utilisation.
- Ne laissez pas le aspirateur sans surveillance lorsque la batterie est installée. Retirez la batterie lorsque l'appareil n'est pas en service et avant son entretien.
- Débrancher le bloc-piles de l'appareil avant d'entreprendre tout réglage, de changer les accessoires ou d'entreposer l'appareil même. De telles mesures préventives de sécurité minimisent le risque de démarrage accidentel de l'appareil.

- Ne pas insérer d'objet dans les ouvertures. Ne pas utiliser lorsqu'une des ouvertures est obstruée: les garder libre de toute poussière, peluches, cheveux et tout autre matière pouvant réduire le flux d'air.
- Maintenance du aspirateur. Vérifier le désalignement ou le blocage des pièces mobiles, le bris de pièces ou de toute autre condition pouvant affecter le fonctionnement du aspirateur. Si endommagé, veuillez faire réparer le aspirateur avant de l'utiliser. Beaucoup d'accidents se produisent suite à une mauvaise maintenance des outils.

UTILISATION ET ENTRETIEN DE LA BATTERIE

- Pour recharger le bloc-piles, utiliser seulement le chargeur spécifié par le fabricant. Un chargeur pouvant convenir à un type de bloc-piles peut entraîner un risque d'incendie lorsqu'il est utilisé avec un autre type de bloc-piles.
- N'utiliser l'outil électrique qu'avec une batterie recommandée. L'utilisation de tout autre bloc-piles peut créer un risque de blessures et d'incendie.
- Lorsque le bloc-piles n'est pas utilisé, le tenir éloigné des objets en métal tels que les trombones, les pièces de monnaie, les clés, les clous, les vis ou d'autres petits objets métalliques qui pourraient connecter les bornes. Le court-circuitage des bornes d'une pile peut entraîner des brûlures ou un incendie.
- Éviter tout contact avec le liquide pouvant être éjecté de la pile en cas de manutention abusive. En cas de contact accidentel, rincer immédiatement les parties atteintes avec de l'eau. Si le liquide entre en contact avec les yeux, consulter un médecin. Le liquide éjecté des piles peut causer des irritations ou des brûlures.
- N'utiliser aucun bloc-piles ni aucun outil ayant été endommagé ou modifié. Des piles endommagées ou modifiées peuvent adopter un comportement imprévisible pouvant causer un incendie, une explosion ou le risque de blessures.
- Ne pas exposer le bloc-piles ou l'outil aux flammes ou à une température excessive. Une exposition aux flammes ou à une température supérieure à 130°C (265°F) peut causer une explosion.
- Suivre toutes les instructions de charge et ne pas charger le bloc-piles ou l'outil en dehors de la plage de température spécifiée. Une charge incorrecte ou à des températures en dehors de la plage spécifiée peut endommager la pile et augmenter le risque d'incendie.

ENTRETIEN

- Assurez-vous que votre outil électrique soit réparé par une personne qualifiée utilisant des pièces de rechange identiques. Ceci vous garantira que la sécurité de l'appareil est conservée.
- Ne pas ni modifier ni essayer d'entretenir l'appareil ou le bloc-piles (selon le cas), sauf si une mesure telle est indiquée dans les instructions d'emploi et entretien.

RÈGLES DE SÉCURITÉ SPÉCIFIQUES POUR ASPIRATEUR COMPACT

- Ne jamais utiliser l'aspirateur sans le réservoir à poussière et/ou le filtre. Ne jamais utiliser de l'eau pour nettoyer le filtre.
- Porter des protecteurs d'oreille. L'exposition au bruit peut entraîner une perte auditive.
- Conservez en place les étiquettes et les plaques. Ces dernières comportent des informations importantes. Si elles sont illisibles ou manquantes, veuillez contacter un centre de service MILWAUKEE pour leur remplacement.

AVERTISSEMENT

- Afin de minimiser le risque de blessures, lorsque de travaux sont faits dans de situations poussiéreuses, porter une protection respiratoire ou bien, utiliser une solution d'extraction de poussière conforme aux normes OSHA.
- Toujours faire preuve de bons sens et procéder avec prudence lors de l'utilisation d'outils. C'est impossible de prévoir toutes les situations dont le résultat est dangereux. Ne pas utiliser cet outil si vous ne comprenez pas ces instructions d'opération ou si vous pensez que le travail dépasse votre capacité ; veuillez contacter Milwaukee Tool ou un professionnel formé pour recevoir plus d'information ou formation.
 - Maintenir en l'état les étiquettes et les plaques d'identification. Des informations importantes y figurent. Si elles sont illisibles ou manquantes, contacter un centre de services et d'entretien MILWAUKEE pour un remplacement gratuit.

AVERTISSEMENT

- Certaines poussières générées par les activités de ponçage, de coupe, de rectification, de perçage et d'autres activités de construction contiennent des substances considérées être la cause de malformations congénitales et de troubles de l'appareil reproducteur. Parmi ces substances figurent:
- le plomb contenu dans les peintures à base de plomb;
 - la silice cristalline des briques, du ciment et d'autres matériaux de maçonnerie, ainsi que
 - l'arsenic et le chrome des sciages traités chimiquement. Les risques encourus par l'opérateur envers ces expositions varient en fonction de la fréquence de ce type de travail. Pour réduire l'exposition à ces substances chimiques, l'opérateur doit travailler dans une zone bien ventilée et porter l'équipement de sécurité approprié, tel qu'un masque anti-poussière spécialement conçu pour filtrer les particules microscopiques.

LIRE TOUTES LES INSTRUCTIONS ET LES CONSERVER À DES FINS DE RÉFÉRENCE ULTÉRIEURE

POUR UTILISATION DOMESTIQUE OU COMMERCIALE.

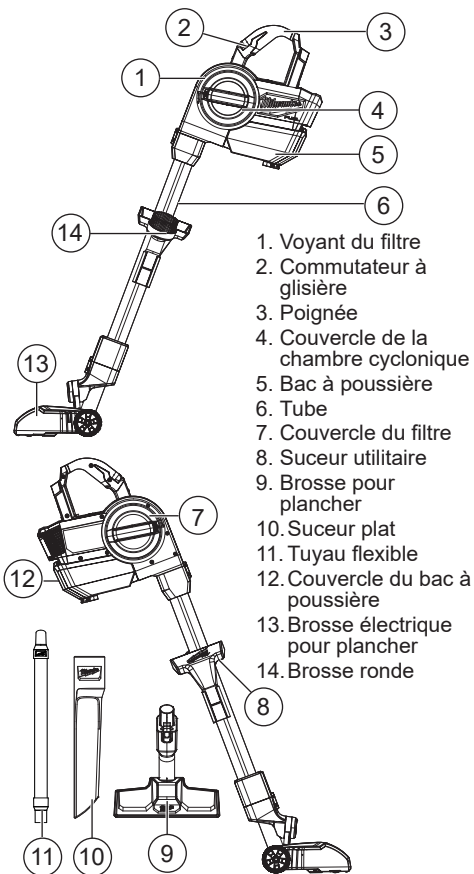
SPÉCIFICATIONS

No de Cat.....	0940-20
Volts.....	18 CD
Type de batterie	M18™
Type de chargeur	M18™
Max débit d'air	13,2 litres par seconde (32 CFM)
Max succion.....	19,9 kPa (80 inH2O)
Type débris	pour son usage à sec uniquement
Capacité	0,9 L (0,25 Gal.)
Température ambiante de fonctionnement recommandée	-18°C à 50°C (0°F à 125°F)
Rallonge	45-86-0068
Tuyau flexible.....	14-37-0109
Suceur plat.....	31-01-0865
Outil de balayage.....	49-90-2017
Outil pour plancher nu	31-01-0102
Outil électrique pour plancher	31-01-0101
Filtre.....	49-90-2012
Outil utilitaire	31-01-0104

PICTOGRAPHIE

-  Volts
-  Courant direct
-  Lire le manuel d'utilisation
-  Chambre Filtre
-  Chambre cyclonique
-  UL Listing Mark pour Canada et États-unis

DESCRIPTION FONCTIONNELLE



1. Voyant du filtre
2. Commutateur à glissière
3. Poignée
4. Couvercle de la chambre cyclonique
5. Bac à poussière
6. Tube
7. Couvercle du filtre
8. Suceur utilitaire
9. Brosse pour plancher
10. Suceur plat
11. Tuyau flexible
12. Couvercle du bac à poussière
13. Brosse électrique pour plancher
14. Brosse ronde

MONTAGE DE L'OUTIL

⚠ AVERTISSEMENT

Ne recharger la batterie qu'avec le chargeur spécifié. Pour les instructions de charge spécifiques, lire le manuel d'utilisation fourni avec le chargeur et les batteries.

Insertion/Retrait de la batterie

Pour **retirer** la batterie, enfoncer les boutons de déverrouillage et la tirer hors de l'outil.

⚠ AVERTISSEMENT

Il faut toujours retirer la batterie et verrouiller la détente de l'outil avant de changer ou d'enlever les accessoires.

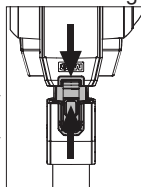
Pour **insérer** la batterie, la glisser dans le corps de l'outil. S'assurer qu'elle est fixée solidement.

⚠ AVERTISSEMENT

L'emploi d'accessoires autres que ceux qui sont expressément recommandés pour cet outil peut comporter des risques.

Installation / enlèvement d'accessoires

Pour **installer** les buses, les tuyaux ou les rallonges, pousser l'accessoire sur l'entrée d'aspiration. Tous les accessoires pourront être utilisés avec une rallonge pour lance ou bien, sans elle. Pour **attacher** la rallonge pour lance, pousser le levier vers le bas et glisser le tube de rallonge sur l'aspirateur jusqu'à ce qu'il encliquette en place.



MANIEMENT

⚠ AVERTISSEMENT

Afin de minimiser le risque de blessures, toujours porter la protection oculaire appropriée certifiée conforme à la norme ANSI Z87.1.

Lorsque de travaux sont faits dans de situations poussiéreuses, porter une protection respiratoire ou bien, utiliser une solution d'extraction de poussière conforme aux normes OSHA.

Afin de réduire le risque d'incendie et de blessure, **ne pas utiliser pour ramasser des matières inflammables.**

Vider le réservoir à poussière avant l'utilisation.

Démarrage, arrêt et contrôle du débit d'air

Pour **démarrer** l'aspirateur, pousser le commutateur à glissière vers la vitesse souhaitée. Le niveau un est pour la faible vitesse. Le niveau deux est pour la haute vitesse.

Pour **arrêter** l'aspirateur, pousser le commutateur à glissière vers la position zéro.

Voyant de témoin de filtre

Le voyant de témoin de filtre restera éteint durant l'usage normal de l'outil. Le voyant de témoin de filtre s'allumera en rouge lorsque le filtre ait besoin de recharge ou bien, si l'outil est surchauffé. Cessez d'utiliser l'outil et remplacez le filtre.

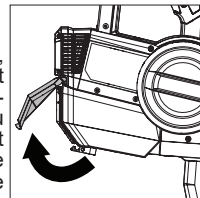
⚠ AVERTISSEMENT

Afin de réduire les risques de blessures, toujours retirer le bloc-piles avant de retirer le réservoir à poussière. Ne pas utiliser l'aspirateur sans le réservoir à poussière et le filtre.

Vidage du réservoir de poussière

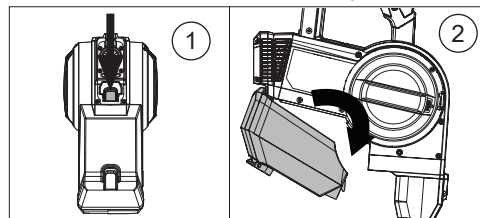
Pour **vider** le réservoir de poussière :

1. ARRÊTER l'outil.
2. Retirer le bloc-piles.
3. En retenant les déchets, soulever les loquets et ouvrir le réservoir de poussière. Vider la poussière du réservoir. Taper doucement sur l'aspirateur pour faire bouger toute la poussière qui y reste.



Pour **retirer** le réservoir de poussière :

1. Appuyer sur le bouton de déverrouillage du réservoir de poussière.
2. Pour déverrouiller le réservoir, tirer le réservoir vers le bas et le faire sortir de l'aspirateur.



3. Retirer le réservoir de poussière et vider tous les débris qui y restent.

ENTRETIEN

⚠ AVERTISSEMENT

Pour minimiser les risques de blessures corporelles, débranchez le chargeur et retirez la batterie du chargeur ou de l'outil avant d'y effectuer des travaux d'entretien. **Ne démontez jamais l'outil, la batterie ou le chargeur. Pour toute réparation, consultez un centre de service MILWAUKEE accrédité.**

Entretien de l'outil

Gardez l'outil en bon état en adoptant un programme d'entretien ponctuel. Inspectez votre outil pour des questions telles que le bruit excessif, de grippage des pièces mobiles, de pièces cassées ou toute autre condition qui peut affecter le fonctionnement de l'outil. Retournez votre outil à un centre de service MILWAUKEE accrédité pour obtenir le service. Après une période pouvant aller de 6 mois à un an, selon l'usage, retournez votre outil à un centre de service MILWAUKEE accrédité pour d'inspection.

Si l'outil ne démarre pas ou ne fonctionne pas à pleine puissance alors qu'il est branché sur une batterie complètement chargée, nettoyez les points de contact entre la batterie et l'outil. Si l'outil ne fonctionne toujours pas correctement, renvoyez l'outil, le chargeur et la batterie à un centre de service MILWAUKEE accrédité.

⚠ AVERTISSEMENT

Pour minimiser les risques de blessures ou de dommages à l'outil, n'immergez jamais l'outil, la batterie ou le chargeur et ne laissez pas de liquide s'y infiltrer.

Nettoyage

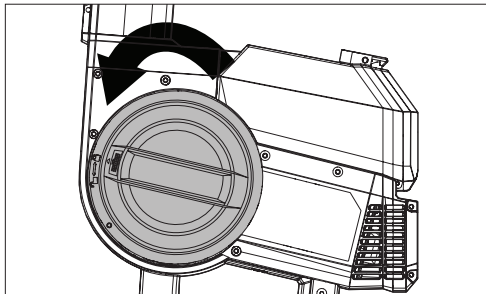
Débarrassez les événements des débris et de la poussière. Gardez les poignées propres, à sec et exemptes d'huile ou de graisse. Le nettoyage doit se faire avec un linge humide et un savon doux. Certains nettoyeurs tels l'essence, la térébenthine, les diluants à laque ou à peinture, les solvants chlorés, l'ammoniaque et les détergents d'usage domestique qui en contiennent pourraient détériorer le plastique et l'isolation des pièces. Ne laissez jamais de solvants inflammables ou combustibles auprès des outils.

ATTENTION Garder le filtre propre. L'efficacité de l'aspirateur dépend en grande partie du filtre. Un filtre sale réduit la circulation de l'air ainsi que l'efficacité totale du système. Ne pas utiliser de l'eau. Retirer du réservoir et appuyez sur propre.

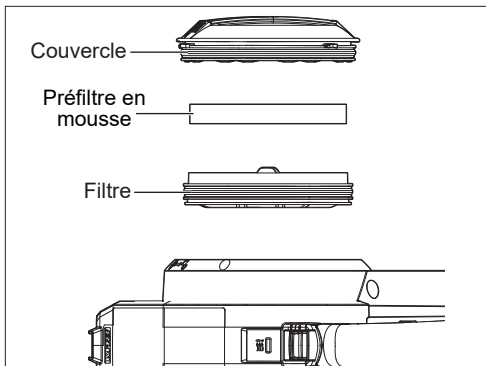
Enlèvement/installation de filtre

Pour installer le filtre :

1. Retirer le bloc-piles.
2. Faire tourner le couvercle du filtre à gauche pour le déverrouiller.



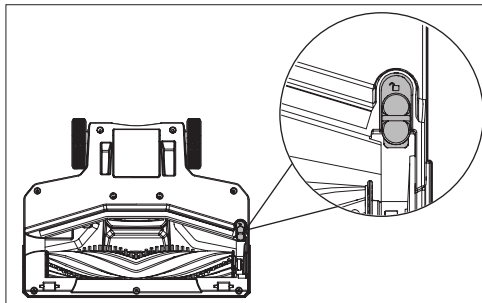
3. Pour l'enlever, soulever le couvercle et le retirer de l'outil.
4. Retirer le préfiltre de mousse qui se trouve dans la chambre.
5. Soulever le filtre de la chambre.



6. Pour nettoyer le filtre, faire tourner son couvercle à gauche afin de le déverrouiller du réservoir. Tirer le filtre pour le faire sortir de l'aspirateur et taper sur lui ou souffler de l'air comprimé sur lui. C'est possible d'utiliser de l'eau pour nettoyer le filtre.
- REMARQUE :** Si le nettoyage sera effectué à l'eau, laisser le filtre sécher pendant 24 heures avant de l'utiliser avec l'aspirateur. Changer le filtre s'il est endommagé ou si l'aspiration a une puissance réduite (seul paquet ; No de Cat. 49-90-2012).
7. Mettre le nouveau filtre en place.
8. Remettre le préfiltre de mousse en place, sur la partie supérieure du filtre.
9. Mettre le couvercle dans la chambre, en le poussant vers le bas.
10. Faire tourner le couvercle à droite pour le verrouiller.
- REMARQUE :** Ne pas utiliser l'aspirateur si le réservoir de poussière et le filtre ne sont pas en place.

Nettoyage de l'outil de balayage

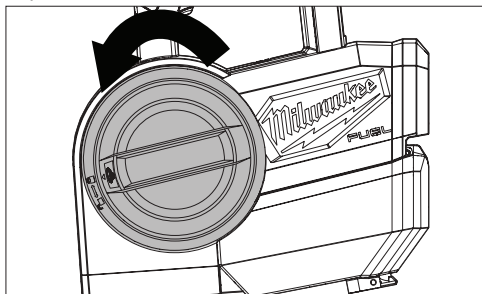
Retirer le bloc-piles. Retirez l'outil de plancher d'alimentation du vide. Pour nettoyer l'outil de balayage, glisser le commutateur vers la position de déverrouillage et soulever l'outil de balayage afin de retirer tout débris restant.



Nettoyage de la chambre cyclonique

Pour nettoyer la chambre cyclonique :

1. Retirer le bloc-piles.
2. Faire tourner le couvercle de la chambre à gauche pour le déverrouiller.



3. Pour retirer le couvercle, le soulever loin de l'outil.
4. Nettoyer la chambre si elle est obstruée.
- REMARQUE :** Pour nettoyer le cyclone intérieur, tournez-le dans le sens inverse des aiguilles d'une montre pour l'enlever du couvercle. Pour remplacer, faites pivoter le cyclone intérieur dans le sens des aiguilles d'une montre sur la couverture du cyclone.
5. Mettre le couvercle dans la chambre, en le poussant vers le bas.
6. Faire tourner le couvercle à droite pour le verrouiller.

Réparations

Pour les réparations, retournez outil, batterie et chargeur en entier au centre-service autorisé le plus près.

ACCESSOIRES

AVERTISSEMENT

L'utilisation d'autres accessoires que ceux qui sont spécifiquement recommandés pour cet outil peut comporter des risques.

Pour une liste complète des accessoires, visiter le site internet www.milwaukeetool.com ou contactez un distributeur.

SERVICE - CANADA

Milwaukee Tool (Canada) Ltd

1.800.268.4015

Monday-Friday, 7:00 AM - 4:30 PM CST

www.milwaukeetool.ca

GARANTIE LIMITÉE - AUX ÉTATS-UNIS ET AU CANADA

Chaque outil électrique* MILWAUKEE (voir exceptions ci-dessous) est garanti à l'acheteur d'origine uniquement pour être exempt de vices de matériaux et de fabrication. Sous réserve de certaines exceptions, MILWAUKEE réparera ou remplacera toute pièce d'un outil électrique qui, après examen par MILWAUKEE, s'est avérée être affectée d'un vice de matériau ou de fabrication et ce pendant une période de cinq (5) ans** à compter de la date d'achat, sauf indication contraire. Retourner l'outil électrique à un centre de réparation en usine MILWAUKEE ou à un poste d'entretien agréé MILWAUKEE, en port prépayé et assuré. Une copie de la preuve d'achat doit être présentée lors du retour du produit. Cette garantie ne couvre pas les dommages que MILWAUKEE détermine être causés par des réparations ou des tentatives de réparation par quiconque autre que le personnel agréé par MILWAUKEE, ou par des utilisations incorrectes, des altérations, des utilisations abusives, une usure normale, une carence d'entretien ou des accidents.

Usure normale : Plusieurs outils électriques requièrent un remplacement et un entretien périodique de leurs pièces pour un meilleur rendement. Cette garantie ne couvre pas la réparation des pièces due à l'utilisation normale de l'outil, y compris, mais sans s'y limiter, les mandrins, les brosses, les cordes, les sabots de scie, les portelames, les joints toriques, les joints, les amortisseurs, les lames d'entraînement, les pistons, les perceurs, les crochets et les rondelles à couvercle amortisseur.

*Cette garantie ne s'applique pas aux cloueuses-agrafeuses pneumatiques, aux pulvérisateurs à peinture sans air, aux blocs-piles pour outils sans fil, aux génératrices d'alimentation portatives à essence, aux outils à main, aux monte-charge - électriques, à levier et à chaîne, aux vestes chauffantes M12™, aux produits ré-usinés, ni aux produits d'essai et de mesure. Il existe des garanties séparées distinctes pour ces produits.

**La période de garantie applicable pour les radios de chantier, le port d'alimentation M12™, la source électrique M18™, le ventilateur de chantier et les chariots de travail industriels Trade Titan™ est d'une durée d'un (1) an à compter de la date d'achat. La période de garantie pour les M18 FUEL™ 1" chocs à couple élevé à poignée en « D », câbles de nettoyage des drains et les accessoires de pistolet à air de vidange AIRSNAKE™ est de deux (2) ans à compter de la date d'achat. La période de garantie pour le pistolet thermique compact M18™, Dépoussiéreur de 8 gallons, M18™ cloueuses à ossature, M18 FUEL™ 1/2" clé à chocs de enclume prolongé, couple contrôlé avec ONE-KEY™, M18 FUEL™ 1" clé à chocs de couple élevé avec ONE-KEY™ et M18 FUEL™ compresseur silencieux compact de 7,6 L est de trois (3) ans à compter de la date d'achat. La période de garantie couvrant la DEL de la lampe de travail à DEL et l'ampoule améliorée à DEL de la lampe de travail est une garantie à vie du produit soumise aux limitations ci-dessus. En cas de défaillance de la DEL ou de l'ampoule à DEL pendant son utilisation normale, la pièce défaillante sera remplacée gratuitement.

L'enregistrement de la garantie n'est pas nécessaire pour bénéficier de la garantie en vigueur sur un outil électrique MILWAUKEE. La date de fabrication du produit servira à établir la période de garantie, si aucune preuve d'achat n'est fournie lorsqu'une demande de service sous garantie est déposée.

L'ACCEPTATION DES RECOURS EXCLUSIFS DE RÉPARATION ET DE REMPLACEMENT DÉCRITS DANS LES PRÉSENTES EST UNE CONDITION DU CONTRAT D'ACHAT DE TOUT PRODUIT MILWAUKEE. SI VOUS N'ACCEPTÉZ PAS CETTE CONDITION, VOUS NE DEVEZ PAS ACHETER LE PRODUIT. EN AUCUN CAS, MILWAUKEE NE SAURAIT ÊTRE RESPONSABLE DE TOUT DOMMAGE ACCESSOIRE, SPÉCIAL OU INDIRECT, D'INTERETS INTERETS PUNITIFS OU DE TOUTE DÉPENSE, D'HONORAIRES D'AVOCAT, DE FRAIS, DE PERTE OU DE DÉLAIS ACCESSOIRES À TOUT DOMMAGE, DÉFAILLANCE OU DÉFAUT DE TOUT PRODUIT, Y COMPRIS NOTAMMENT LES PERTES DE PROFIT. CERTAINS ÉTATS ET PROVINCES NE PERMETTANT L'EXCLUSION OU LA LIMITATION DES DOMMAGES DIRECTS OU INDIRECTS, LES RESTRICTIONS CI-DESSUS PEUVENT NE PAS VOUS ÊTRE APPLICABLES. CETTE GARANTIE EST EXCLUSIVE ET REMPLACE TOUTE AUTRE GARANTIE EXPRESSE, QU'ELLE SOIT VERBALE OU ÉCRITE. DANS LA MESURE PERMISE PAR LA LOI, MILWAUKEE RENONCE À TOUTE GARANTIE IMPLICITE, Y COMPRIS, MAIS SANS S'Y LIMITER, TOUTE GARANTIE IMPLICITE DE QUALITÉ MARCHANDE OU D'ADAPTATION À UNE UTILISATION OU À UNE FIN PARTICULIÈRE. DANS LA MESURE OU UNE TELLE STIPULATION D'EXONÉRATION N'EST PAS PERMISE PAR LA LOI, LA DURÉE DE CES GARANTIES IMPLICITES EST LIMITÉE À LA PÉRIODE APPLICABLE DE LA GARANTIE EXPRESSE, TEL QUE CELA EST DÉCRIT PRÉCÉDEMMENT. CERTAINS ÉTATS ET PROVINCES NE PERMETTANT PAS DE LIMITATION DE DURÉE DES GARANTIES IMPLICITES, LES RESTRICTIONS CI-DESSUS PEUVENT DONC NE PAS VOUS ÊTRE APPLICABLES. LA PRÉSENTE VOUS CONFÈRE DES DROITS LÉGAUX PARTICULIERS; VOUS BÉNÉFICIEZ ÉGALEMENT D'AUTRES DROITS QUI VARIENT D'UN ÉTAT À UN AUTRE.

Cette garantie s'applique aux produits vendus aux États-Unis et au Canada uniquement.

Veuillez consulter la rubrique Centre SAV Milwaukee, dans la section Pièces et Services du site Web de MILWAUKEE, à l'adresse www.milwaukeetool.com, ou composer le 1-800-SAWDUST (1-800-729-3878) afin de trouver le centre de service de votre région le plus proche pour l'entretien, sous garantie ou non, de votre outil électrique Milwaukee.

REGLAS DE SEGURIDAD GENERALES

⚠️ ADVERTENCIA AL UTILIZAR UNA ASPIRADORA ELÉCTRICA, SIEMPRE SE DEBEN SEGUIR LAS PRECAUCIONES BÁSICAS, INCLUYENDO LAS SIGUIENTES: LEA TODAS LAS INSTRUCCIONES ANTES DE USAR LA ASPIRADORA. ANTES DE UTILIZAR LA ASPIRADORA, LEA ESTE MANUAL DEL OPERADOR, LOS MANUALES DE LA BATERÍA Y EL CARGADOR Y TODAS LAS ETIQUETAS DE LA ASPIRADORA, LA BATERÍA Y EL CARGADOR. HACER CASO OMISO DE LAS ADVERTENCIAS E INSTRUCCIONES PODRÍA PROVOCAR UNA DESCARGA ELÉCTRICA, INCENDIO O LESIONES GRAVES.

SEGURIDAD EN EL ÁREA DE TRABAJO

- Mantenga el área de trabajo limpia y bien iluminada. Las áreas desordenadas u oscuras son lugares propensos para los accidentes.
- Las aspiradoras tienen motores y otras partes que pueden producir chispas durante el uso normal. No use el extractor a una distancia menor de 9 metros en áreas donde puede haber materiales explosivos (como por ejemplo, bombas a gasolina y lugares donde se almacenan líquidos, como disolventes, limpiadores, solventes, etc.).
- No lo use en áreas donde hay polvos, líquidos o vapores explosivos.
- No lo use donde se utiliza oxígeno o anestésicos.
- No permita que se use como un juguete. Debe prestar mucha atención cuando usa el extractor en un lugar donde hay niños cerca.
- Ponga especial cuidado si lo usa en las escaleras.

SEGURIDAD ELÉCTRICA

- No manipule el paquete de baterías ni el aspiradora con las manos húmedas.

SEGURIDAD PERSONAL

- MANTÉNGASE ALERTA. Fíjese en lo que está haciendo y use el sentido común. No use el aspiradora si está cansado, distraído o bajo influencia de drogas, alcohol o medicamentos que puedan causar una disminución del control.
- Es posible que mientras el aspiradora está en funcionamiento despidan elementos extraños que pueden entrar en sus ojos y causar una lesión ocular. Use siempre gafas o anteojos de seguridad con protección lateral cuando está operando un aspiradora.
- Utilice una mascarilla facial o use una solución de extracción de polvo que cumpla con las normas de OSHA cuando trabaje en condiciones de mucho polvo. Las partículas de polvo pueden dañar sus pulmones.

- Evite un comienzo con accidentes. Asegúrese de que el interruptor está en la posición de apagado antes de insertar el paquete de baterías. Insertar el paquete de baterías en un aspiradora encendido puede producir accidentes.
- No se estire demasiado. Manténgase bien parado y en equilibrio todo el tiempo. Esto le permite controlar mejor el aspiradora en situaciones inesperadas.
- Mantenga el cabello, la ropa suelta, los dedos y todas las partes del cuerpo alejadas de los orificios y piezas en movimiento.
- Uselos sólo como se describe en este manual. Use sólo los accesorios recomendados por el fabricante.
- Evite el arranque accidental. Asegúrese de que el interruptor esté en la posición de apagado antes de conectarlo a una fuente de poder y/o batería, levantar o trasladar la herramienta. Trasladar herramientas con el dedo en el interruptor o energizar herramientas eléctricas que tienen el interruptor encendido propicia accidentes.

USO Y CUIDADO DE LAS HERRAMIENTAS ELÉCTRICAS

- No use el extractor sin colocar en su lugar el recipiente para el polvo y/o el filtro.
- No lo use para aspirar líquidos o combustibles inflamables, como por ejemplo gasolina. No lo use en áreas donde esos líquidos puedan estar presentes.
- No aspire nada que se esté quemando ni echando humo, como cigarrillos, cerillas o cenizas calientes.
- No aspire polvo de hollín, cemento, yeso ni revoque sin que el filtro esté en su lugar. Estas son partículas muy finas que pueden afectar el desempeño del motor o bien ser expelidos al aire.
- Este producto es adecuado para la recolección de polvo de sílice cuando se utiliza de acuerdo con estas instrucciones. Para reducir el riesgo de peligros en la salud por inhalación de otros vapores o polvo, no aspire materiales tóxicos, cancerígenos ni otras sustancias peligrosas, como por ejemplo asbestos, arsénico, bario, berilio, plomo, pesticidas u otras sustancias que pongan en riesgo su salud.
- Ponga especial cuidado cuando vacía tanques muy cargados.
- Para evitar la combustión espontánea, vacíe el recipiente para el polvo después de cada uso.
- No deje el aspiradora sin supervisión cuando el paquete de baterías está instalado. Extraiga el paquete de baterías cuando no usa el extractor y antes de hacerle mantenimiento.
- Desconecte la batería del aparato antes de hacer antes de realizar cualquier ajuste, cambiar accesorios o almacenar el aparato. Tales medidas preventivas de seguridad disminuyen el riesgo de que el aparato se encienda accidentalmente.
- No coloque ningún objeto en los orificios. No use con algún orificio bloqueado, manténgalo libre de polvo, pelusa, cabellos y de cualquier elemento que pueda disminuir la circulación del aire.
- Mantenimiento del aspiradora. Controle si hay algún defecto de alineación, traba de piezas móviles o cualquier otra condición que pueda afectar la operación de aspiradora. Si hay alguna avería, haga reparar el aspiradora antes de usarlo. Muchos accidentes se producen por herramientas en mal estado de conservación.

USO Y CUIDADO DE LAS HERRAMIENTAS CON BATERÍA

- Recargue únicamente con el cargador especificado por el fabricante. Un cargador que es adecuado para un tipo de batería puede crear un riesgo de incendio si se utiliza con otra batería.
- Utilice las herramientas eléctricas únicamente con baterías específicamente diseñadas. El uso de cualquier otra batería puede producir un riesgo de lesiones e incendio.
- Cuando la batería no esté en uso, manténgala alejada de otros objetos metálicos como sujetapapeles, monedas, llaves, clavos, tornillos u otros objetos metálicos pequeños que puedan formar una conexión de una terminal a otra. Crear un corto entre las terminales de la batería puede ocasionar quemaduras o un incendio.
- Bajo condiciones de maltrato, el líquido puede ser expulsado de la batería, evite el contacto. En caso de contacto accidental, lave con agua. Si el líquido entra en contacto con los ojos, busque además ayuda médica. El líquido expulsado de la batería puede causar irritación o quemaduras.
- No use una batería o herramienta que se haya dañado o modificado. Las baterías dañadas o modificadas pueden mostrar un comportamiento impredecible, causando incendios, explosión o riesgo de lesión.
- No exponga una batería o herramienta al fuego o a temperatura excesiva. La exposición a fuego o temperatura a más de 130° C (265° F) puede causar explosiones.
- Siga todas las instrucciones de carga y no cargue la batería o la herramienta fuera del rango de temperatura especificado en las instrucciones. La carga incorrecta o a temperaturas fuera del rango especificado puede dañar la batería y aumentar el riesgo de incendio.

MANTENIMIENTO

- Haga el mantenimiento de su herramienta eléctrica con una persona calificada que utiliza sólo repuestos originales. Esto asegurará que la herramienta eléctrica continúe siendo segura.
- No modifique ni intente reparar el aparato ni la batería (según el caso) excepto según lo indicado en las instrucciones para el uso y cuidado.

REGLAS ESPECÍFICAS DE SEGURIDAD PARA ASPIRADORA COMPACTO

- Nunca utilice la aspiradora sin el recolector de polvo y el filtro en su lugar. Nunca use agua para limpiar el filtro.
- Utilice protectores auditivos. La exposición al ruido puede causar pérdida auditiva.
- Mantenga las etiquetas y placas de identificación. Son portadoras de información importante. Si son ilegibles o se han extraviado, comuníquese con una instalación de mantenimiento de MILWAUKEE y solicite el reemplazo gratis.

⚠️ ADVERTENCIA Para reducir el riesgo de lesiones, al momento de realizar trabajos en situaciones donde haya presencia de polvo, utilice la protección respiratoria adecuada o utilice una solución de extracción de polvo que cumpla con los requisitos de la OSHA.

• Válgase siempre de su sentido común y sea cuidadoso cuando utilice herramientas. No es posible anticipar todas las situaciones que podrían tener un desenlace peligroso. No utilice esta herramienta si no entiende estas instrucciones de uso o si considera que el trabajo a realizar supera sus capacidades, comuníquese con Milwaukee Tool o con un profesional capacitado para recibir capacitación o información adicional.

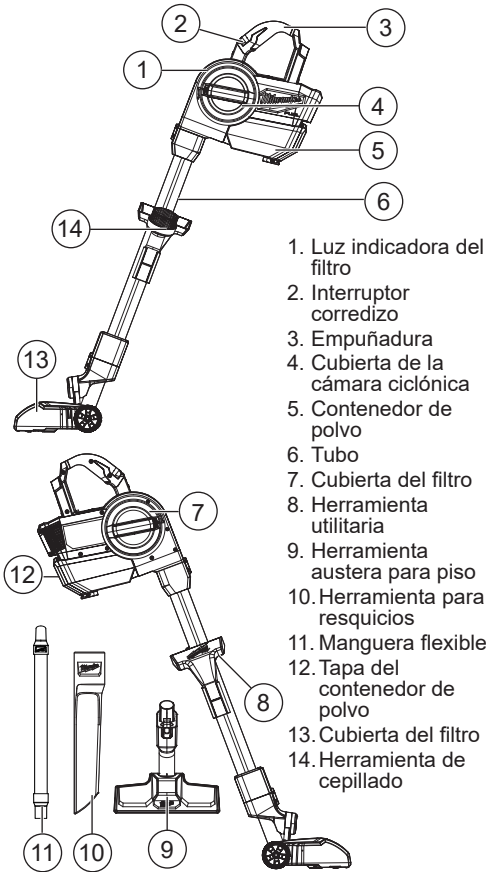
⚠️ ADVERTENCIA Algunos polvos generados por el lijado eléctrico, aserrado, pulido, taladrado y otras actividades de construcción contienen químicos identificados como causantes de cáncer, defectos congénitos u otros daños reproductivos. Algunos ejemplos de estos químicos son:

- plomo de pintura basada en plomo
- dióxido de silicio de los ladrillos y el cemento y otros productos de albañilería y
- arsénico y cromo de madera con tratamiento químico. Su riesgo por estas exposiciones varía, dependiendo de la frecuencia con que realice este tipo de trabajo. Para reducir su exposición a estos químicos: trabaje en un área bien ventilada y trabaje con equipo de seguridad aprobado, como mascarillas protectoras contra polvo especialmente diseñadas para filtrar partículas microscópicas.

LEA Y CONSERVE TODAS LAS INSTRUCCIONES PARA CONSULTARLAS EN EL FUTURO

PARA USO DOMÉSTICO O COMERCIAL.

DESCRIPCION FUNCIONAL



1. Luz indicadora del filtro
2. Interruptor corredizo
3. Empuñadura
4. Cubierta de la cámara ciclónica
5. Contenedor de polvo
6. Tubo
7. Cubierta del filtro
8. Herramienta utilitaria
9. Herramienta austera para piso
10. Herramienta para resquicios
11. Manguera flexible
12. Tapa del contenedor de polvo
13. Cubierta del filtro
14. Herramienta de cepillado

SIMBOLOGÍA

- Volts
- Corriente continua
- Lea el manual del operador
- Cámara Filtro
- Cámara ciclónica
- UL Listing Mark para Canadá y Estados Unidos

ESPECIFICACIONES

Cat. No.....	0940-20
Volts	18 CD
Tipo de batería	M18™
Tipo de cargador	M18™
Flujo de aire máximo 13,2 litros segundo (32 CFM)	
Succión máximo	20,4 kPa (80 inH2O)
Tipo de desecho.....	únicamente para uso en seco
Capacidad	0,9 L (0,25 Gal.)
Temperatura ambiente recomendada para operar.....	-18°C a 50°C (0°F a 125°F)
Tubo.....	45-86-0068
Manguera flexible	14-37-0109
Herramienta para resquicios.....	31-01-0865
Herramienta de cepillado.....	49-90-2017
Herramienta austera para piso	31-01-0102
Herramienta eléctrica para piso.....	31-01-0101
Filtro	49-90-2012
Herramienta utilitaria	31-01-0104

ENSAMBLAJE

⚠ ADVERTENCIA Recargue la batería sólo con el cargador especificado para ella. Para instrucciones específicas sobre cómo cargar, lea el manual del operador suministrado con su cargador y la batería.

Como se inserta/quita la batería en la herramienta

Para **retirar** la batería, presione los botones de liberación y jale de la batería para sacarla de la herramienta.

⚠ ADVERTENCIA Para reducir el riesgo de lesiones, extraiga siempre la batería antes de acoplar o desacoplar accesorios.

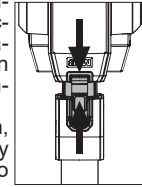
Para **introducir** la batería, deslícela en el cuerpo de la herramienta. Asegúrese de que quede bien firme en su posición.

⚠ ADVERTENCIA Utilice únicamente accesorios específicamente recomendados para esta herramienta. El uso de accesorios no recomendados podría resultar peligroso.

Instalación/remoción de los accesorios

Para instalar las boquillas, mangueras o extensiones, empuje el accesorio en la entrada de la aspiradora. Todos los accesorios pueden utilizarse con o sin tubo de extensión.

Para **sujetar** el tubo de extensión, oprima la palanca hacia abajo y deslice el tubo de extensión dentro de la aspiradora hasta que haga clic.



OPERACION

⚠ ADVERTENCIA Con el fin de minimizar el riesgo de lesiones, siempre utilice la protección de ojos adecuada indicada para cumplir con lo dispuesto en la norma ANSI Z87.1.

Al momento de realizar trabajos en situaciones donde haya presencia de polvo, utilice la protección respiratoria adecuada o utilice una solución de extracción de polvo que cumpla con los requisitos de la OSHA.

Para reducir el riesgo de incendio y lesiones, no use la herramienta para aspirar materiales inflamables ni combustibles.

Vacíe el recolector de polvo antes de usarlo.

Inicio, paro y control del caudal de aire
Para **encender** la aspiradora, oprima el interruptor corredizo a la velocidad deseada. El nivel uno es velocidad baja. El nivel dos es velocidad alta.

Para **apagar** la aspiradora, oprima el interruptor corredizo a la posición de cero.

Luz indicadora del filtro

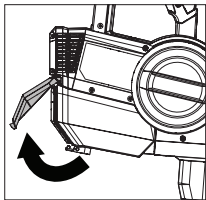
La luz indicadora del filtro permanecerá apagada durante el uso normal de la herramienta. La luz indicadora del filtro cambiará a rojo cuando el filtro necesite cambiarse o la herramienta se esté sobrecalentando. Deje de usar la herramienta y reemplace el filtro.

⚠ ADVERTENCIA Para reducir el riesgo de lesiones, siempre retire la batería antes de quitar el recolector de polvo. No utilice la herramienta sin el recolector de polvo y el filtro en su lugar.

Vaciar el contenedor de polvo

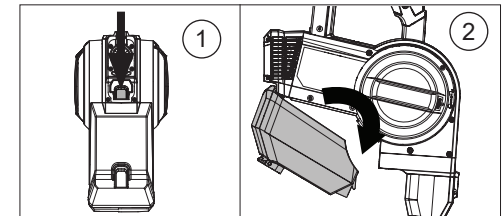
Para vaciar el contenedor de polvo:

1. Apague la herramienta en OFF.
2. Extraiga la batería
3. Mientras lo sostiene sobre la basura, desabroche el contenedor de polvo. Vacíe el polvo del contenedor. Dé golpecitos suaves a la aspiradora para quitar cualquier polvo restante.



Para **retirar** el contenedor de polvo:

1. Oprima el botón de desacople del contenedor de polvo.
2. Desacople el contenedor jalándolo hacia abajo y alejado de la aspiradora.



3. Retire el contenedor de polvo y vacíe cualquier desecho restante del contenedor.

MANTENIMIENTO

ADVERTENCIA Para reducir el riesgo de una lesión, desconecte siempre la herramienta antes de darle cualquier mantenimiento. Nunca desarme la herramienta ni trate de hacer modificaciones en el sistema eléctrico de la misma. Acuda siempre a un Centro de Servicio MILWAUKEE para TODAS las reparaciones.

Mantenimiento de las herramientas

Adopte un programa regular de mantenimiento y mantenga su herramienta en buenas condiciones. Inspeccione la herramienta para problemas como ruidos indebidos, desalineadas o agarrotadas de partes móviles, piezas rotas o cualquier otra condición que pueda afectar el funcionamiento de la herramienta. Envíe su herramienta al Centro de Servicio MILWAUKEE para reparación. Después de 6 meses a un año, dependiendo del uso dado, envíe su herramienta al Centro de Servicio MILWAUKEE más cercano para la inspección.

Si la herramienta no arranca u opera a toda su potencia con una batería completamente cargada, limpie, con una goma o borrador, los contactos de la batería y de la herramienta. Si aun así la herramienta no trabaja correctamente, regrésela, con el cargador y la batería, a un centro de servicio MILWAUKEE.

ADVERTENCIA Para reducir el riesgo de lesiones, descarga eléctrica o daño a la herramienta, nunca la sumerja en líquidos ni permita que estos fluyan dentro de la misma.

Limpieza

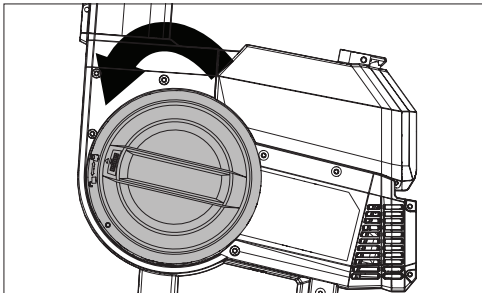
Limpie el polvo y suciedad de las ventilas. Mantenga los mangos limpios, secos y libres de aceite o grasa. Use solo jabón neutro y un trapo húmedo para limpiar, ya que algunos substancias y solventes limpiadores son dañinos a los plásticos y partes aislantes. Algunos de estos incluyen: gasolina, turpentina, thinner, lacas, thinner para pinturas, solventes para limpieza con cloro, amoníaco y detergentes caseros que tengan amonía. Nunca usa solventes inflamables o combustibles cerca de una herramienta.

PRECAUCIÓN Mantenga limpio el filtro. La eficiencia de la aspiradora depende en gran medida del filtro. Un filtro sucio reducirá el flujo de aire y la eficiencia general del sistema. No limpie con agua. Retirar del tanque y toque limpio.

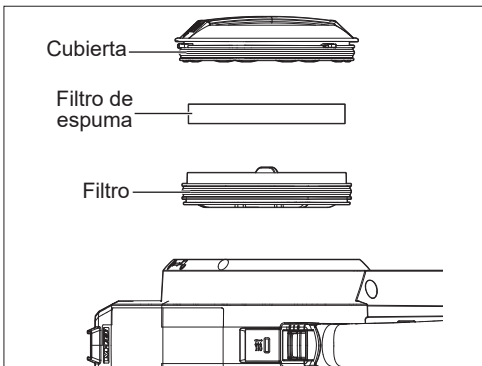
Retirar/instalar el filtro

Para instalar el filtro:

1. Extraiga la batería.
2. Gire la cubierta del filtro hacia la izquierda para desbloquear.



3. Para retirarlo, levante la cubierta hacia el lado opuesto de la herramienta.
4. Retire el filtro de espuma previo de la cámara.
5. Levante el filtro de la cámara.

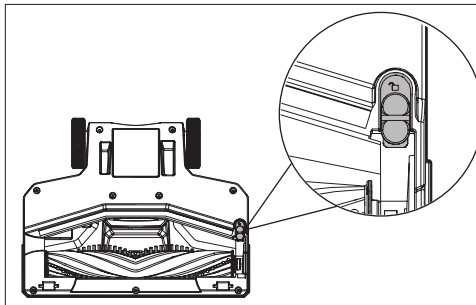


6. Para limpiar el filtro, gire la cubierta del mismo hacia la izquierda para desbloquearlo del contenedor. Jale el filtro hacia afuera de la aspiradora y dé golpecitos o use aire comprimido para limpiarlo. Puede utilizar agua para limpiar el filtro.

NOTA: Si lo limpia con agua, deje que el filtro se seque durante 24 horas antes de utilizar la aspiradora. Reemplace el filtro si está dañado o disminuye la succión (paquete único, Cat. No. 49-90-2012).

7. Instale el filtro nuevo.
 8. Coloque el filtro de espuma previo en la parte superior del mismo.
 9. Coloque la cubierta en la cámara, oprimiendo hacia abajo.
 10. Gire la cubierta hacia la derecha para bloquearla.
- NOTA:** No opere la aspiradora si el contenedor y el filtro no están en su lugar.

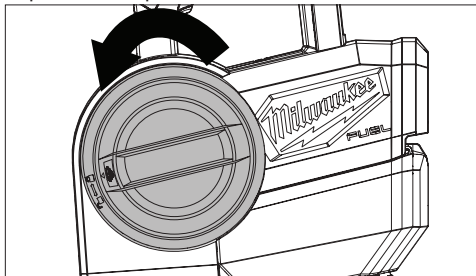
Limpieza de la herramienta de cepillado
Extraiga la batería. Retire la herramienta de la planta eléctrica del vacío. Para limpiar la herramienta de cepillado, deslice el interruptor hacia abajo a la posición de desbloqueo y levante la herramienta de cepillado para retirar cualquier exceso de desechos.



Limpieza de la cámara ciclónica

Para limpiar la cámara ciclónica:

1. Extraiga la batería.
2. Gire la cubierta de la cámara hacia la izquierda para desbloquear.



3. Para retirarla, levante la cubierta hacia el lado opuesto de la herramienta.
4. Limpie la cámara de cualquier obstrucción. **NOTA:** Para limpiar el ciclón interior, gírelo en sentido contrario a las agujas del reloj para retirarlo de la cubierta. Para reemplazarlo, gire el ciclón interno en el sentido de las agujas del reloj hacia la cubierta del ciclón.
5. Coloque la cubierta en la cámara, oprimiendo hacia abajo.
6. Gire la cubierta hacia la derecha para bloquearla.

Reparaciones

Si su herramienta, batería o cargador están dañados, envíela al centro de servicio autorizado más cercano.

ACCESORIOS

ADVERTENCIA Utilice sólo los accesorios específicamente recomendados. Otros accesorios puede ser peligroso.

Para una lista completa de accesorios, visite nuestro sitio en Internet: www.milwaukeetool.com o póngase en contacto con un distribuidor.

SOPORTE DE SERVICIO - MEXICO

CENTRO DE ATENCION A CLIENTES

Techtronic Industries Mexico, S.A. de C.V.

Av. Presidente Masarik 29 Piso 7

11560 Polanco V Seccion

Miguel Hidalgo, Distrito Federal, México

01 (800) 030-7777 o (55) 4160-3540

Lunes a Viernes (9am a 6pm)

O contáctanos en www.milwaukeetool.com.mx

GARANTÍA LIMITADA - E.U.A. Y CANADÁ

Cada herramienta eléctrica de MILWAUKEE (ver excepciones a continuación) está garantizada para el comprador original únicamente de que no tenga material y mano de obra defectuosos. Sujeto a ciertas excepciones, MILWAUKEE reparará o reemplazará cualquier parte en una herramienta eléctrica que tenga defectos de material o mano de obra según lo determine MILWAUKEE mediante una revisión, por un periodo de cinco (5) años** después de la fecha de compra a menos que se indique lo contrario. Al devolver la herramienta eléctrica a un Centro de Servicio de la fábrica de MILWAUKEE o a una Estación de Servicio Autorizada de MILWAUKEE, se requiere que el flete esté pagado por adelantado y asegurado. Se debe incluir una copia del comprobante de compra con el producto devuelto. Esta garantía no aplica a daños que MILWAUKEE determine que son ocasionados por reparaciones o intentos de reparaciones realizados por una persona que no sea personal autorizado de MILWAUKEE, uso indebido, alteraciones, maltrato, desgaste normal, falta de mantenimiento o accidentes.

Desgaste normal: Muchas herramientas eléctricas necesitan un reemplazo periódico de partes y servicio para lograr el mejor desempeño. Esta garantía no cubre la reparación cuando el uso normal ha agotado la vida de una parte, incluyendo sin limitar a mandriles, cepillos, cables, zapatas de la sierra, abrazaderas de la hoja, anillos en O, sellos, protectores, hojas de desatornilladores, pistones, herrajes, levantaadores y arandelas de cubierta de los protectores.

*Esta garantía no cubre clavadoras y grapadoras neumáticas, pistola de pintura a presión, baterías inalámbricas, generadores de energía portátil de gasolina, herramientas de mano, palanca y cadena de mano de polipasto - eléctricas, instrumentaria calefactada M12™, producto reacondicionado y productos de prueba y medición. Existen garantías por separado y distintas disponibles para estos productos.

**El periodo de garantía para los radios para obra, puerto de energía M12™, fuente de poder M18™, ventiladores para obra y carretillas de trabajo industrial Trade Titan™ es de un (1) año a partir de la fecha de compra. El periodo de garantía para los M18 FUEL™ 1" llaves de impacto de alto torque con d en empuñadura, cables de limpieza de drenaje y AIRSNAKE™ los accesorios de pistola de aire de limpieza de drenaje es de dos (2) años a partir de la fecha de compra. El periodo de garantía de la pistola de calor compacta M18™, Extractor de polvo de 8 galones, M18™ enmarcar clavadoras, M18 FUEL™ 1/2" yunque prolongado torque controlado llave de impacto con ONE-KEY™, M18 FUEL™ 1" llave de impacto de alto esfuerzo de torsión con ONE-KEY™, y M18 FUEL™ de 7.6 L compacto compresor silencioso es de tres (3) años a partir de la fecha de compra. El periodo de garantía de las lámparas de LED en la Lámpara de trabajo LED y el Bulbo mejorado de LED para la Luz de trabajo es por la vida del producto sujeto a las limitaciones anteriores. Si durante el uso normal el LED o Bulbo de LED falla, la parte será reemplazada sin cargo.

No se requiere el registro de la garantía para obtener la garantía correspondiente a un producto de herramienta eléctrica de MILWAUKEE. La fecha de manufactura del producto se utilizará para determinar el periodo de garantía si no se proporciona comprobante de compra al solicitar el servicio en garantía.

LA ACEPTACIÓN DE LOS REMEDIOS EXCLUSIVOS DE REPARACIÓN Y REEMPLAZO AQUÍ DESCRITOS ES UNA CONDICIÓN DEL CONTRATO PARA LA COMPRA DE TODO PRODUCTO DE MILWAUKEE. SI USTED NO ACEPTA ESTA CONDICIÓN, NO DEBE COMPRAR EL PRODUCTO. MILWAUKEE NO SERÁ RESPONSABLE EN NINGÚN CASO DE DAÑOS INCIDENTALES, ESPECIALES, EMERGENTES O PUNITIVOS NI DE NINGÚN COSTO, HONORARIOS LEGALES, GASTOS, PÉRDIDAS O DEMORAS ALEGADAS COMO CONSECUENCIA DE ALGÚN DAÑO, FALLA O DEFECTO EN NINGÚN PRODUCTO, INCLUYENDO, ENTRE OTROS, RECLAMACIONES POR PÉRDIDA DE UTILIDADES. ALGUNOS ESTADOS NO PERMITEN LA EXCLUSIÓN O LIMITACIÓN DE RESPONSABILIDAD POR DAÑOS INCIDENTALES O EMERGENTES, POR LO QUE LA ANTERIOR LIMITACIÓN O EXCLUSIÓN PODRÍA NO APLICARSE EN SU CASO. ESTA GARANTÍA ES EXCLUSIVA Y

REEMPLAZA TODAS LAS DEMÁS GARANTÍAS EXPRESAS, ESCRITAS U ORALES. EN LA MEDIDA EN QUE LO PERMITA LA LEY, MILWAUKEE DESCONOCE CUALQUIER GARANTÍA IMPLÍCITA, INCLUYENDO SIN LIMITACIÓN CUALQUIER GARANTÍA IMPLÍCITA DE COMERCIABILIDAD O IDONEIDAD PARA UN FIN O USO ESPECÍFICO; EN LA MEDIDA EN QUE DICHO DESCONOCIMIENTO NO SEA PERMITIDO POR LA LEY, DICHAS GARANTÍAS IMPLÍCITAS SE LIMITAN A LA DURACIÓN DE LA GARANTÍA EXPRESA CORRESPONDIENTE SEGÚN SE DESCRIBIÓ ANTERIORMENTE. ALGUNOS ESTADOS NO PERMITEN LIMITACIONES SOBRE LA DURACIÓN DE UNA GARANTÍA IMPLÍCITA, POR LO QUE LA ANTERIOR LIMITACIÓN PODRÍA NO APLICARSE A USTED. ESTA GARANTÍA LE DA DERECHOS LEGALES ESPECÍFICOS Y USTED PODRÍA ADEMÁS TENER OTROS DERECHOS QUE VARIAN DE UN ESTADO A OTRO.

Esta garantía aplica al producto vendido en los Estados Unidos y Canadá únicamente.

Consulte la "Búsqueda de centro de servicio" en la sección de Partes y servicio del sitio web de MILWAUKEE en www.milwaukeetool.com o llame al 1.800.SAWDUST (1.800.729.3878) para localizar su centro de servicio más cercano para darle servicio con y sin garantía a una herramienta eléctrica de Milwaukee.

PÓLIZA DE GARANTÍA - VALIDA SOLO PARA MEXICO, AMÉRICA CENTRAL Y EL CARIBE

La garantía de TECHTRONIC INDUSTRIES es por 5 años a partir de la fecha original de compra.

Esta tarjeta de garantía cubre cualquier defecto de material y mano de obra en ese Producto.

Para hacer válida esta garantía, presente esta tarjeta de garantía, cerrada/sellada por el distribuidor o la tienda donde compró el producto, al Centro de Servicio Autorizado (ASC). O, si esta tarjeta no se ha cerrado/sellado, presente la prueba original de compra a ASC. Llame 55 4160-3547 para encontrar el ASC más cercano, para servicio, partes, accesorios o componentes.

Procedimiento para hacer válida esta garantía

Lleve el producto a ASC, junto con la tarjeta de garantía cerrada/sellada por el distribuidor o la tienda donde compró el producto, y cualquier pieza o componente defectuoso se reemplazará sin costo para usted. Cubriremos todos los costos de flete con relación a este proceso de garantía

Excepciones

Esta garantía no tendrá validez en las siguientes situaciones:

- Quando el producto se use de manera distinta a la que indica el manual del usuario final o de instrucciones.
- Quando las condiciones de uso no sean normales.
- Quando otras personas no autorizadas por TECHTRONIC INDUSTRIES modifiquen o reparen el producto.

Nota: si el juego de cables está dañado, tiene que reemplazarse en un Centro de Servicio Autorizado para evitar riesgos eléctricos.

CENTRO DE SERVICIO Y ATENCIÓN

Llame al 55 4160-3547

IMPORTADO Y COMERCIALIZADO POR
TECHTRONIC INDUSTRIES, MÉXICO, S.A. DE C.V.
Miguel de Cervantes Saavedra No.301 Piso 5, Torre Norte
11520 Colonia Ampliación Granada
Miguel Hidalgo, Ciudad de Mexico, Mexico

Modelo: _____

Fecha de Compra: _____

Sello del Distribuidor: _____

MILWAUKEE TOOL
13135 West Lisbon Road
Brookfield, WI 53005 USA