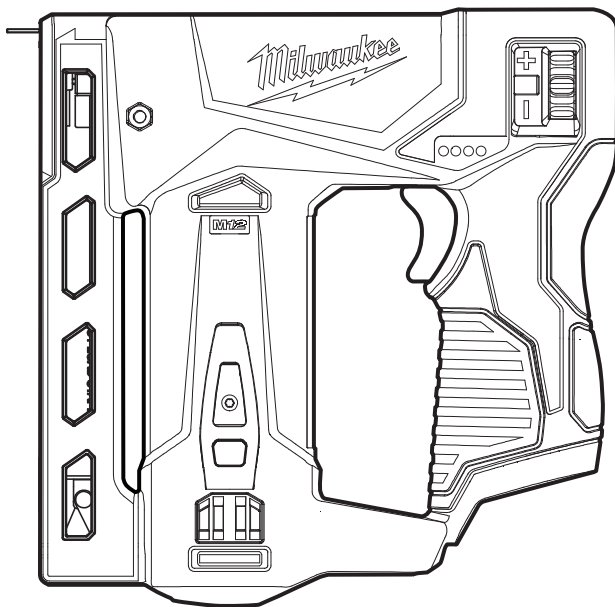







OPERATOR'S MANUAL  
MANUEL de L'UTILISATEUR  
MANUAL del OPERADOR



Cat. No. / No de cat.  
2447-20

**M12™ 3/8" CROWN STAPLER**  
**AGRAFEUSE À COURONNE LARGE DE 10 mm (3/8") M12™**  
**ENGRAPADORA DE CORONA DE 10 mm (3/8") M12™**

 **WARNING** To reduce the risk of injury, user must read and understand operator's manual.  
 **AVERTISSEMENT** Afin de réduire le risque de blessures, l'utilisateur doit lire et bien comprendre le manuel.  
 **ADVERTENCIA** Para reducir el riesgo de lesiones, el usuario debe leer y entender el manual.



## GENERAL POWER TOOL SAFETY WARNINGS

**⚠WARNING** Read all safety warnings, instructions, illustrations and specifications provided with this power tool. Failure to follow all instructions listed below may result in electric shock, fire and/or serious injury. **Save all warnings and instructions for future reference.** The term "power tool" in the warnings refers to your mains-operated (corded) power tool or battery-operated (cordless) power tool.

### WORK AREA SAFETY

- **Keep work area clean and well lit.** Cluttered or dark areas invite accidents.
- **Do not operate power tools in explosive atmospheres, such as in the presence of flammable liquids, gases or dust.** Power tools create sparks which may ignite the dust or fumes.
- **Keep children and bystanders away while operating a power tool.** Distractions can cause you to lose control.

### ELECTRICAL SAFETY

- **Power tool plugs must match the outlet. Never modify the plug in any way. Do not use any adapter plugs with earthed (grounded) power tools.** Unmodified plugs and matching outlets will reduce risk of electric shock.
- **Avoid body contact with earthed or grounded surfaces, such as pipes, radiators, ranges and refrigerators.** There is an increased risk of electric shock if your body is earthed or grounded.
- **Do not expose power tools to rain or wet conditions.** Water entering a power tool will increase the risk of electric shock.
- **Do not abuse the cord. Never use the cord for carrying, pulling or unplugging the power tool. Keep cord away from heat, oil, sharp edges or moving parts.** Damaged or entangled cords increase the risk of electric shock.
- **When operating a power tool outdoors, use an extension cord suitable for outdoor use.** Use of a cord suitable for outdoor use reduces the risk of electric shock.
- **If operating a power tool in a damp location is unavoidable, use a ground fault circuit interrupter (GFCI) protected supply.** Use of an GFCI reduces the risk of electric shock.

### PERSONAL SAFETY

- **Stay alert, watch what you are doing and use common sense when operating a power tool. Do not use a power tool while you are tired or under the influence of drugs, alcohol or medication.** A moment of inattention while operating power tools may result in serious personal injury.
- **Use personal protective equipment. Always wear eye protection.** Protective equipment such as a dust mask, non-skid safety shoes, hard hat or hearing protection used for appropriate conditions will reduce personal injuries.
- **Prevent unintentional starting. Ensure the switch is in the off-position before connecting to power source and/or battery pack, picking up or carrying the tool.** Carrying power tools with your finger on the switch or energizing power tools that have the switch on invites accidents.

- **Remove any adjusting key or wrench before turning the power tool on.** A wrench or a key left attached to a rotating part of the power tool may result in personal injury.
- **Do not overreach. Keep proper footing and balance at all times.** This enables better control of the power tool in unexpected situations.
- **Dress properly. Do not wear loose clothing or jewelry. Keep your hair and clothing away from moving parts.** Loose clothes, jewelry or long hair can be caught in moving parts.
- **If devices are provided for the connection of dust extraction and collection facilities, ensure these are connected and properly used.** Use of dust collection can reduce dust-related hazards.
- **Do not let familiarity gained from frequent use of tools allow you to become complacent and ignore tool safety principles.** A careless action can cause severe injury within a fraction of a second.

### POWER TOOL USE AND CARE

- **Do not force the power tool. Use the correct power tool for your application.** The correct power tool will do the job better and safer at the rate for which it was designed.
  - **Do not use the power tool if the switch does not turn it on and off.** Any power tool that cannot be controlled with the switch is dangerous and must be repaired.
  - **Disconnect the plug from the power source and/ or remove the battery pack, if detachable, from the power tool before making any adjustments, changing accessories, or storing power tools.** Such preventive safety measures reduce the risk of starting the power tool accidentally.
  - **Store idle power tools out of the reach of children and do not allow persons unfamiliar with the power tool or these instructions to operate the power tool.** Power tools are dangerous in the hands of untrained users.
  - **Maintain power tools and accessories. Check for misalignment or binding of moving parts, breakage of parts and any other condition that may affect the power tool's operation. If damaged, have the power tool repaired before use.** Many accidents are caused by poorly maintained power tools.
  - **Keep cutting tools sharp and clean.** Properly maintained cutting tools with sharp cutting edges are less likely to bind and are easier to control.
  - **Use the power tool, accessories and tool bits etc. in accordance with these instructions, taking into account the working conditions and the work to be performed.** Use of the power tool for operations different from those intended could result in a hazardous situation.
  - **Keep handles and grasping surfaces dry, clean and free from oil and grease.** Slippery handles and grasping surfaces do not allow for safe handling and control of the tool in unexpected situations.
- ### BATTERY TOOL USE AND CARE
- **Recharge only with the charger specified by the manufacturer.** A charger that is suitable for one type of battery pack may create a risk of fire when used with another battery pack.
  - **Use power tools only with specifically designated battery packs.** Use of any other battery packs may create a risk of injury and fire.

- When battery pack is not in use, keep it away from other metal objects, like paper clips, coins, keys, nails, screws or other small metal objects, that can make a connection from one terminal to another. Shorting the battery terminals together may cause burns or a fire.
- Under abusive conditions, liquid may be ejected from the battery; avoid contact. If contact accidentally occurs, flush with water. If liquid contacts eyes, additionally seek medical help. Liquid ejected from the battery may cause irritation or burns.
- Do not use a battery pack or tool that is damaged or modified. Damaged or modified batteries may exhibit unpredictable behavior resulting in fire, explosion or risk of injury.
- Do not expose a battery pack or tool to fire or excessive temperature. Exposure to fire or temperature above 265°F (130°C) may cause explosion.
- Follow all charging instructions and do not charge the battery pack or tool outside the temperature range specified in the instructions. Charging improperly or at temperatures outside the specified range may damage the battery and increase the risk of fire.
- Prior to each use, check workpiece contact and trigger for correct operation. Do not disassemble or clamp parts of the workpiece contact, trigger, or driving mechanism. This will cause unexpected actuation, resulting in serious injury.
- Do not engage in horseplay. The discharged fasteners are projectiles capable of causing serious injury.
- Do not remove, tamper with, or otherwise cause the tool operating controls to become inoperable. This will cause unexpected actuation, resulting in serious injury.
- Do not operate a tool if any portion of the tool operating controls is inoperable, disconnected, altered, or not working properly. This will cause unexpected actuation, resulting in serious injury.
- Always keep hands and body away from discharge area of the tool. Never attempt to clear a jammed workpiece contact by grasping the discharge area of the tool. Fasteners discharged from tool can cause serious injury if they contact hands or body.
- Do not drive fasteners close to the edge of the workpiece. Fasteners can slip off corners and edges or penetrate through thin material, making them projectiles capable of causing serious injury.
- Use the tool only for the intended purpose. Do not abuse the tool. Do not use as a hammer, stamp or engrave information onto parts, drop or impact the tool or otherwise apply excess force to the tool in use. Do not mount the tool to stands or modify it for stationary use.

## SERVICE

- Have your power tool serviced by a qualified repair person using only identical replacement parts. This will ensure that the safety of the power tool is maintained.
- Never service damaged battery packs. Service of battery packs should only be performed by the manufacturer or authorized service providers.

## SPECIFIC SAFETY RULES FOR STAPLER

- Always assume that the tool contains fasteners. Careless handling of the stapler can result in unexpected firing of fasteners and personal injury.
- Do not point the tool towards yourself or anyone nearby. Unexpected triggering will discharge the fastener causing an injury.
- Do not actuate the tool unless the tool is placed firmly against the workpiece. If the tool is not in contact with the workpiece, the fastener may be deflected away from your target.
- Disconnect the tool from the power source when the fastener jams in the tool. While removing a jammed fastener, the tool may be accidentally activated if it is plugged in.
- Use caution while removing a jammed fastener. The mechanism may be under compression and the fastener may be forcefully discharged while attempting to free a jammed condition.
- Do not use this tool for fastening electrical cables. It is not designed for electric cable installation and may damage the insulation of electric cables thereby causing electric shock or fire hazards.
- Use only those fasteners specifically recommended. Fasteners not identified for use with this tool by the tool manufacturer may result in a risk of injury to persons or damage to the tool.
- AWARNING** To reduce the risk of injury, when working in dusty situations, wear appropriate respiratory protection or use an OSHA compliant dust extraction solution.
- Always use common sense and be cautious when using tools. It is not possible to anticipate every situation that could result in a dangerous outcome. Do not use this tool if you do not understand these operating instructions or you feel the work is beyond your capability; contact Milwaukee Tool or a trained professional for additional information or training.
- Maintain labels and nameplates. These carry important information. If unreadable or missing, contact a MILWAUKEE service facility for a free replacement.
- AWARNING** Some dust created by power sanding, sawing, grinding, drilling, and other construction activities contains chemicals known to cause cancer, birth defects or other reproductive harm. Some examples of these chemicals are:
  - lead from lead-based paint
  - crystalline silica from bricks and cement and other masonry products, and
  - arsenic and chromium from chemically-treated lumber.
 Your risk from these exposures varies, depending on how often you do this type of work. To reduce your exposure to these chemicals: work in a well ventilated area, and work with approved safety equipment, such as those dust masks that are specially designed to filter out microscopic particles.

## SYMBOLLOGY



Volts



Direct Current



Read Operator's Manual



**WARNING!** Risk of electric shock. Donot use near electrical wires



Always wear eye protection



**WARNING!** Keep hands away

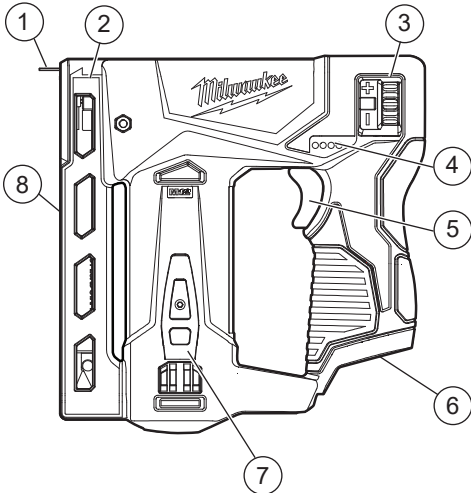


UL Listing for Canada and U.S.

## SPECIFICATIONS

Cat. No.....	2447-20
Volts.....	12 DC
Battery Type.....	M12™
Charger Type.....	M12™
Staple Type.....	3/8" Crown Staples (T-50®)
Staple Size.....	1/4" (6 mm), 5/16" (8 mm), 3/8" (10 mm), 1/2" (12 mm), 9/16" (14 mm)
Recommended Ambient Operating Temperature.....	0°F to 125°F

## FUNCTIONAL DESCRIPTION



1. Workpiece contact bracket
2. Staple exit indicator
3. Power adjustment
4. Fuel gauge
5. Trigger
6. Battery bay
7. Belt clip
8. Magazine

## ASSEMBLY

**⚠WARNING** Recharge only with the charger specified for the battery. For specific charging instructions, read the operator's manual supplied with your charger and battery.

### Removing/Inserting the Battery

To **remove** the battery, push in the release buttons and pull the battery pack away from the tool.

**⚠WARNING** Always remove the battery pack any time the tool is not in use.

To **insert** the battery, slide the pack into the body of the tool. Make sure it latches securely into place.

**⚠WARNING** Only use accessories specifically recommended for this tool. Others may be hazardous.

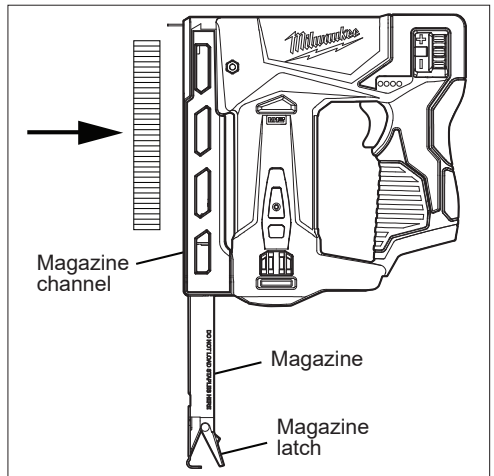
### Installing/Removing Fasteners

**⚠WARNING** Always remove battery pack before changing or removing fasteners.

Always wear safety goggles or glasses with side shields.

To **install** fasteners:

1. Remove battery pack.
2. **⚠WARNING!** Always point the tool away from yourself and others when installing fasteners. Failure to do so could result in injury.
3. Pinch the magazine latch and pull magazine out from tool.
4. Insert the fasteners into the magazine channel. The fastener legs should point outwards away from the tool body. **⚠WARNING!** Use only recommended fasteners of the correct type and size. Other fasteners could result in tool malfunction, leading to injury.



5. Push the magazine back in until it snaps closed.

To **remove** fasteners:

1. Remove battery pack.
2. **⚠WARNING!** Always point the tool away from yourself and others when installing fasteners. Failure to do so could result in injury.
3. Pinch the magazine latch and pull magazine out from tool.
4. Remove the fasteners.

## OPERATION

**⚠WARNING** To reduce the risk of injury, always wear safety goggles or glasses with side shields. The operator and other people in the work area must wear eye protection in accordance with ANSI Z87.1. Eye protection does not fit all operators in the same way. Make sure the eye protection chosen has side shields or provides protection from flying debris both from the front and sides. The employer is responsible for enforcing the use of eye protection by the operator and other people in the work area. When required, wear head protection in accordance with ANSI Z89.1.

To reduce the risk of injury to yourself and others, test the tool before beginning work each day according to the "Required Daily Testing" section.

Remove battery pack and fasteners before leaving the work area, moving the tool to another location, or handing the tool to another person. Failure to do so could result in serious injury.

Do not use this tool for fastening electrical cables. It is not designed for electric cable installation and may damage the insulation of electric cables thereby causing electric shock or fire hazards.

NEVER wedge or hold back the workpiece contact mechanism during operation of the tool. Never attempt to clear a jammed workpiece contact by grasping the discharge area of the tool. Doing so could result in serious injury.

To avoid serious injury, do not attempt to prevent the recoil by holding the tool too firmly against the work. Keep face and body away from the tool. During normal use, the tool will recoil immediately after driving a fastener. This is a normal function of the tool. Grip the handle firmly, let the tool do the work, and do not place a second hand on top of the tool.

When working in dusty situations, wear appropriate respiratory protection or use an OSHA compliant dust extraction solution.

### Fuel Gauge

To determine the amount of charge left in the battery, turn the tool ON. The Fuel Gauge will light up for 2-3 seconds. When less than 10% of charge is left, 1 light on the fuel gauge will flash 4 times.

To signal the end of charge, 1 light on the fuel gauge will flash 8 times and the tool will not run. Charge the battery pack.

If the battery becomes too hot, the fuel gauge lights will flash and the tool will not run. Allow the battery to cool down.

## Actuation Operation

1. Insert battery pack.
2. Set the power adjustment. Rotate towards + for heavy-duty applications, rotate towards - for lighter applications.
3. For **sequential actuation**:  
Line up the fastener to the workpiece. Press the workpiece contact bracket to the workpiece and squeeze the trigger firmly. Release trigger.

For **contact actuation**:

Line up the fastener to the workpiece. Press the workpiece contact bracket to the workpiece and squeeze the trigger firmly. Hold the trigger while removing and reengaging stapler to the workpiece for continuous stapling.

### Reload Indicator

To indicate that the magazine is almost empty of fasteners (about 4-5 left), the workpiece contact will not compress, preventing operation under usual pressure. Install more fasteners to continue working.

**⚠WARNING** NEVER wedge or hold back the workpiece contact mechanism during operation of the tool. Never attempt to clear a jammed workpiece contact by grasping the discharge area of the tool. Doing so could result in serious injury.

To avoid serious injury, do not attempt to prevent the recoil by holding the tool too firmly against the work. Keep face and body away from the tool. During normal use, the tool will recoil immediately after driving a fastener. This is a normal function of the tool. Grip the handle firmly, let the tool do the work, and do not place a second hand on top of the tool.

### Setting the Power Adjustment

The power of the drive can be adjusted to account for the size of the fastener and the workpiece material.

**⚠WARNING** Know what is behind your workpiece. A fastener could travel through the workpiece and out the other side, striking a bystander and causing serious injury. Lower the power adjustment to prevent the fastener from being pushed all the way through the workpiece.

1. Drive a test fastener.
2. Remove battery pack.
3. **WARNING!** Always point the tool away from yourself and others when making adjustments. Failure to do so could result in injury.
4. Turn the power adjustment up or down to increase or decrease the power.
5. Repeat until desired power is reached.



## Clearing a Jammed Fastener

Most jams are caused by a fastener or part of a fastener wedging between the driver blade and the stapler guide. Fastener strips with a wrong fastener gauge may cause continuous jamming. To clear the jam:

1. Remove battery pack.
2. **WARNING!** Always point the tool away from yourself and others when installing or removing fasteners. Failure to do so could result in injury.
3. Remove fastener strip from magazine.
4. Pull down on the magazine latch and pull magazine away from the tool.
5. Remove the fastener and other debris (use needle-nose pliers if necessary).
6. Close jam latch.
7. Follow the steps under "Required Daily Testing" before restarting the work.

## REQUIRED DAILY TESTING

**WARNING** To reduce the risk of injury to yourself and others, test the tool before beginning work each day or if the tool is dropped, received a sharp blow, been run over, etc. Complete the following checklist IN ORDER. If the tool does not work as it should, contact a MILWAUKEE service facility immediately.

Always point tool away from yourself and others.

1. Remove battery pack.
2. **WARNING!** Always point the tool away from yourself and others when installing fasteners. Failure to do so could result in injury.
3. Check all screws, bolts, nuts, and pins on the tool. Any loose fasteners must be tightened.
4. Pinch the magazine latch and pull magazine out from tool. Press the workpiece contact against a workpiece. It must move smoothly.
5. With the workpiece contact pressed against the workpiece, pull the trigger. It must move smoothly.
6. Insert battery pack.
7. Make sure the magazine is still pulled out. Holding the workpiece contact away from the workpiece, pull and hold trigger for 5 seconds. The tool must not operate. Release the trigger.
9. If all previous tests work properly, set the tool for your work. Select the operation and load fastener strips.
10. Set the power adjustment according to the "Setting the Power Adjustment" section.
11. If all tests operate properly, the tool is ready for use. Repeat these tests before use each day or if the tool is dropped, received a sharp blow, been run over, jammed, etc.

## MAINTENANCE

**WARNING** To reduce the risk of injury, always unplug the charger and remove the battery pack from the charger or tool before performing any maintenance. Never disassemble the tool, battery pack or charger. Contact a MILWAUKEE service facility for ALL repairs.

### Maintaining Tool

Keep your tool, battery pack and charger in good repair by adopting a regular maintenance program. Inspect your tool for issues such as undue noise, misalignment or binding of moving parts, breakage of parts, or any other condition that may affect the tool operation. Return the tool, battery pack, and charger to a MILWAUKEE service facility for repair. After six months to one year, depending on use, return the tool, battery pack and charger to a MILWAUKEE service facility for inspection.

If the tool does not start or operate at full power with a fully charged battery pack, clean the contacts on the battery pack. If the tool still does not work properly, return the tool, charger and battery pack, to a MILWAUKEE service facility for repairs.

**WARNING** To reduce the risk of personal injury and damage, never immerse your tool, battery pack or charger in liquid or allow a liquid to flow inside them.

### Cleaning

Clean dust and debris from any vents. Keep tool clean, dry and free of oil or grease. Use only mild soap and a damp cloth to clean, since certain cleaning agents and solvents are harmful to plastics and other insulated parts. Some of these include gasoline, turpentine, lacquer thinner, paint thinner, chlorinated cleaning solvents, ammonia and household detergents containing ammonia. Never use flammable or combustible solvents around tools.

### Repairs

For repairs, return the tool, battery pack and charger to the nearest authorized service center.

## ACCESSORIES

**WARNING** Use only recommended accessories. Others may be hazardous.

For a complete listing of accessories, go online to [www.milwaukeetool.com](http://www.milwaukeetool.com) or contact a distributor.

## SERVICE - UNITED STATES

**1-800-SAWDUST** (1.800.729.3878)

Monday-Friday, 7:00 AM - 6:30 PM CST

or visit [www.milwaukeetool.com](http://www.milwaukeetool.com)

Contact Corporate After Sales Service Technical Support with technical, service/repair, or warranty questions.

Email: [metproductsupport@milwaukeetool.com](mailto:metproductsupport@milwaukeetool.com)

Become a Heavy Duty Club Member at [www.milwaukeetool.com](http://www.milwaukeetool.com) to receive important notifications regarding your tool purchases.

## SERVICE - CANADA

**Milwaukee Tool (Canada) Ltd**

**1.800.268.4015**

Monday-Friday, 7:00 AM - 4:30 PM CST

or visit [www.milwaukeetool.ca](http://www.milwaukeetool.ca)

## LIMITED WARRANTY USA & CANADA

Every MILWAUKEE power tool\* (see exceptions below) is warranted to the original purchaser only to be free from defects in material and workmanship. Subject to certain exceptions, MILWAUKEE will repair or replace any part on an electric power tool which, after examination, is determined by MILWAUKEE to be defective in material or workmanship for a period of five (5) years\*\* after the date of purchase unless otherwise noted. Return of the power tool to a MILWAUKEE Factory Service Center location or MILWAUKEE Authorized Service Station, freight prepaid and insured, is required. A copy of the proof of purchase should be included with the return product. This warranty does not apply to damage that MILWAUKEE determines to be from repairs made or attempted by anyone other than MILWAUKEE authorized personnel, misuse, alterations, abuse, normal wear and tear, lack of maintenance, or accidents.

**Normal Wear:** Many power tools need periodic parts replacement and service to achieve best performance. This warranty does not cover repair when normal use has exhausted the life of a part including, but not limited to, chucks, brushes, cords, saw shoes, blade clamps, o-rings, seals, bumpers, driver blades, pistons, strikers, lifters, and bumper cover washers.

\*This warranty does not cover Air Nailers & Staplers; Airless Paint Sprayer; Cordless Battery Packs; Gasoline Driven Portable Power Generators; Hand Tools; Hoist – Electric, Lever & Hand Chain; M12™ Heated Gear; Reconditioned Product; and Test & Measurement Products. There are separate and distinct warranties available for these products.

\*\*The warranty period for Job Site Radios, M12™ Power Port, M18™ Power Source, Jobsite Fan and Trade Titan™ Industrial Work Carts is one (1) year from the date of purchase. The warranty period for the M18 FUEL™ 1" D-Handle High Torque Impact Wrenches, Drain Cleaning Cables, AIRSNAKE™ Drain Cleaning Air Gun Accessories, REDLITHIUM™ USB Laser Levels and TRAPSNAKE™ 25' Auger w/ CABLE DRIVE™ is two (2) years from the date of purchase. The warranty period for the M18™ Compact Heat Gun, 8 Gallon Dust Extractor, M18™ Framing Nailers, M18 FUEL™ 1/2" Ext. Anvil Controlled Torque Impact Wrench w/ ONE-KEY™, M18 FUEL™ 1" High Torque Impact Wrench w/ ONE-KEY™, M18 FUEL™ 2 Gal. Compact Quiet Compressor, M12™ Laser Levels, 165' Laser Detector, M12™ 23GA Pin Nailer, M18 FUEL™ 1/4" Blind Rivet Tool w/ ONE-KEY™, M12 FUEL™ Low Speed Tire Buffer, M18 FUEL™ Random Orbital Polishers, and the M18™ Utility Fencing Stapler is three (3) years from the date of purchase. The warranty period for the LED in the LED Work Light and the LED Upgrade Bulb for the Work Light is the lifetime of the product subject to the limitations above. If during normal use the LED or LED Bulb fails, the part will be replaced free of charge.

Warranty Registration is not necessary to obtain the applicable warranty on a MILWAUKEE power tool product. The manufacturing date of the product will be used to determine the warranty period if no proof of purchase is provided at the time warranty service is requested.

ACCEPTANCE OF THE EXCLUSIVE REPAIR AND REPLACEMENT REMEDIES DESCRIBED HEREIN IS A CONDITION OF THE CONTRACT FOR THE PURCHASE OF EVERY MILWAUKEE PRODUCT. IF YOU DO NOT AGREE TO THIS CONDITION, YOU SHOULD NOT PURCHASE THE PRODUCT. IN NO EVENT SHALL MILWAUKEE BE LIABLE FOR ANY INCIDENTAL, SPECIAL, CONSEQUENTIAL OR PUNITIVE DAMAGES, OR FOR ANY COSTS, ATTORNEY FEES, EXPENSES, LOSSES OR DELAYS ALLEGED TO BE AS A CONSEQUENCE OF ANY DAMAGE TO, FAILURE OF, OR DEFECT IN ANY PRODUCT INCLUDING, BUT NOT LIMITED TO, ANY CLAIMS FOR LOSS OF PROFITS. SOME STATES DO NOT ALLOW THE EXCLUSION OR LIMITATION OF INCIDENTAL OR CONSEQUENTIAL DAMAGES, SO THE ABOVE LIMITATION OR EXCLUSION MAY NOT APPLY TO YOU. THIS WARRANTY IS EXCLUSIVE AND IN LIEU OF ALL OTHER EXPRESS WARRANTIES, WRITTEN OR ORAL, TO THE EXTENT PERMITTED BY LAW, MILWAUKEE DISCLAIMS ANY IMPLIED WARRANTIES, INCLUDING WITHOUT LIMITATION ANY IMPLIED WARRANTY OF MERCHANTABILITY OR FITNESS FOR A PARTICULAR USE OR PURPOSE; TO THE EXTENT SUCH DISCLAIMER IS NOT PERMITTED BY LAW, SUCH IMPLIED WARRANTIES ARE LIMITED TO THE DURATION OF THE APPLICABLE EXPRESS WARRANTY AS DESCRIBED ABOVE. SOME STATES DO NOT ALLOW LIMITATIONS ON HOW LONG AN IMPLIED WARRANTY LASTS, SO THE ABOVE LIMITATION MAY NOT APPLY TO YOU. THIS WARRANTY GIVES YOU SPECIFIC LEGAL RIGHTS, AND YOU MAY ALSO HAVE OTHER RIGHTS WHICH VARY FROM STATE TO STATE.

This warranty applies to product sold in the U.S.A. and Canada only. Please consult the 'Service Center Search' in the Parts & Service section of MILWAUKEE's website [www.milwaukeeetool.com](http://www.milwaukeeetool.com) or call 1.800.SAWDUST (1.800.729.3878) to locate your nearest service facility for warranty and non-warranty service on a Milwaukee electric power tool.

## RÈGLES DE SÉCURITÉ GÉNÉRALES RELATIVES AUX OUTILS ÉLECTRIQUES

**⚠️ AVERTISSEMENT** Lire toutes les consignes de sécurité, consignes, illustrations et spécifications fournies avec cet outil électrique. Ne pas suivre l'ensemble des règles et instructions peut entraîner une électrocution, un incendie ou des blessures graves. **Conserver les règles et les instructions à des fins de référence ultérieure.** Le terme «outil électrique» figurant dans les avertissements ci-dessous renvoie à l'outil électrique à alimentation par le réseau (à cordon) ou par batterie (sans fil).

### SÉCURITÉ DU LIEU DE TRAVAIL

- **Veillez à ce que l'aire de travail soit propre et bien éclairée.** Le désordre et le manque de lumière favorisent les accidents.
- **Ne pas utiliser d'outils électriques dans des atmosphères explosives, par exemple en présence de liquides, gaz ou poussières inflammables.** Les outils électriques produisent des étincelles risquant d'enflammer les poussières ou vapeurs.
- **S'assurer que les enfants et les curieux se trouvent à une bonne distance au moment d'utiliser un outil électrique.** Les distractions peuvent causer une perte de contrôle.

### SÉCURITÉ ÉLECTRIQUE

- **Les fiches des outils électriques doivent correspondre à la prise secteur utilisée. Ne jamais modifier la fiche, de quelque façon que ce soit. Ne jamais utiliser d'adaptateurs de fiche avec des outils mis à la terre.** Les fiches et prises non modifiées réduisent le risque de choc électrique.
- **Éviter tout contact avec des surfaces mises à la terre comme des tuyaux, des radiateurs, des cuisinières et des réfrigérateurs.** Le risque de choc électrique est accru lorsque le corps est mis à la terre.
- **Ne pas exposer les outils électriques à l'eau ou l'humidité.** La pénétration d'eau dans ces outils accroît le risque de choc électrique.
- **Ne pas maltraiter le cordon d'alimentation. Ne jamais utiliser le cordon d'alimentation pour transporter l'outil électrique et ne jamais débrancher ce dernier en tirant sur le cordon. Garder le cordon à l'écart de la chaleur, de l'huile, des objets tranchants et des pièces en mouvement.** Un cordon endommagé ou emmêlé accroît le risque de choc électrique.
- **Pour les travaux à l'extérieur, utiliser un cordon spécialement conçu à cet effet.** Utiliser un cordon conçu pour l'usage extérieur réduit les risques de choc électrique.
- **Si l'utilisation d'un outil électrique est inévitable dans un endroit humide, utiliser une source d'alimentation munie d'un disjoncteur de fuite de terre.** L'utilisation d'un disjoncteur de fuite de terre réduit le risque de choc électrique.

### SÉCURITÉ INDIVIDUELLE

- **Rester attentif, prêter attention au travail et faire preuve de bon sens lors de l'utilisation de tout outil électrique. Ne pas utiliser cet appareil en cas de fatigue ou sous l'influence de l'alcool, de drogues ou de médicaments.** Un moment d'inattention pendant l'utilisation d'un outil électrique peut entraîner des blessures graves.



- **Porter l'équipement de protection individuel requis. Toujours porter une protection oculaire.** Selon les conditions, porter aussi un masque anti-poussières, des bottes de sécurité antidérapantes, un casque protecteur ou une protection auditive afin de réduire les blessures.
- **Empêcher les démarrages accidentels. S'assurer que la gâchette est en position d'arrêt avant de brancher l'outil à une source de courant, d'insérer la batterie, de le ramasser ou de le transporter.** Le fait de transporter un outil électrique en gardant le doigt sur la gâchette ou de mettre sous tension un outil électrique lorsque la gâchette est en position de marche favorise les accidents.
- **Retirer les clés de réglage avant de mettre l'outil en marche.** Une clé laissée sur une pièce rotative de l'outil peut causer des blessures.
- **Ne pas travailler hors de portée. Toujours se tenir bien campé et en équilibre.** Une bonne stabilité procure un meilleur contrôle de l'outil électrique en cas d'imprévu.
- **Porter une tenue appropriée. Ne porter ni vêtements amples, ni bijoux. Garder les cheveux et les vêtements à l'écart des pièces en mouvement.** Les vêtements flottants, les bijoux ou les cheveux longs risquent d'être happés par les pièces en mouvement.
- **Si les outils sont équipés de dispositifs de dépoussiérage, s'assurer qu'ils sont connectés et correctement utilisés.** L'utilisation d'un collecteur de poussière permet de réduire les dangers liés à la poussière.
- **Ne pas laisser la familiarité avec l'outil acquise par une utilisation fréquente vous rendre suffisant et vous amener à ignorer les règles de sécurité.** Une utilisation négligée peut causer une blessure grave en une fraction de seconde.

## UTILISATION ET ENTRETIEN DE L'OUTIL ÉLECTRIQUE

- **Ne pas forcer l'outil électrique. Utiliser l'outil électrique approprié pour l'application.** Un outil électrique approprié exécutera le travail mieux et de façon moins dangereuse s'il est utilisé dans les limites prévues.
- **Ne pas utiliser l'outil électrique si le commutateur ne permet pas de le mettre en marche ou de l'arrêter.** Tout outil électrique qui ne peut pas être contrôlé par son commutateur est dangereux et doit être réparé.
- **Débrancher l'outil et/ou retirer le bloc-piles, si possible, avant d'effectuer des réglages, de changer d'accessoire ou de remiser l'outil.** Ces mesures de sécurité préventives réduisent les risques de démarrage accidentel de l'outil.
- **Entreposer l'outil électrique hors de la portée des enfants et interdire à quiconque de l'utiliser si la personne ne connaît pas bien le produit ou les instructions.** Les outils électriques sont dangereux dans les mains d'utilisateurs novices.
- **Entretien les outils électriques et les accessoires. Vérifier qu'aucune pièce mobile n'est mal alignée ou bloquée, qu'aucune pièce n'est brisée et s'assurer qu'aucun autre problème risque d'affecter le bon fonctionnement de l'outil. En cas de dommages, faire réparer l'outil avant de l'utiliser.** Plusieurs accidents sont causés par des produits mal entretenus.

- **Garder les outils bien affûtés et propres.** Des outils correctement entretenus et dont les tranchants sont bien affûtés risquent moins de se bloquer et sont plus faciles à contrôler.
- **Utiliser l'outil électrique, les accessoires, les embouts etc. conformément à ces instructions en tenant compte des conditions de travail et de la tâche à effectuer.** L'usage d'un outil électrique pour des applications pour lesquelles il n'est pas conçu peut être dangereux.
- **Garder les poignées et les surfaces de préhension sèches, propres et exemptes d'huile ou de graisse.** Des poignées et des surfaces de préhension glissantes ne permettent pas de manipuler et de contrôler l'outil en toute sécurité en cas de situation imprévue.

## UTILISATION ET ENTRETIEN DE LA BATTERIE

- **Pour recharger le bloc-piles, utiliser seulement le chargeur spécifié par le fabricant.** Un chargeur pouvant convenir à un type de bloc-piles peut entraîner un risque d'incendie lorsqu'il est utilisé avec un autre type de bloc-piles.
- **N'utiliser l'outil électrique qu'avec une batterie recommandée.** L'utilisation de tout autre bloc-piles peut créer un risque de blessures et d'incendie.
- **Lorsque le bloc-piles n'est pas utilisé, le tenir éloigné des objets en métal tels que les trombones, les pièces de monnaie, les clés, les clous, les vis ou d'autres petits objets métalliques qui pourraient connecter les bornes.** Le court-circuitage des bornes d'une pile peut entraîner des brûlures ou un incendie.
- **Éviter tout contact avec le liquide pouvant être éjecté de la pile en cas de manutention abusive. En cas de contact accidentel, rincer immédiatement les parties atteintes avec de l'eau. Si le liquide entre en contact avec les yeux, consulter un médecin.** Le liquide éjecté des piles peut causer des irritations ou des brûlures.
- **N'utiliser aucun bloc-piles ni aucun outil ayant été endommagé ou modifié.** Des piles endommagées ou modifiées peuvent adopter un comportement imprévisible pouvant causer un incendie, une explosion ou le risque de blessures.
- **Ne pas exposer le bloc-piles ou l'outil aux flammes ou à une température excessive.** Une exposition aux flammes ou à une température supérieure à 130°C (265°F) peut causer une explosion.
- **Suivre toutes les instructions de charge et ne pas charger le bloc-piles ou l'outil en dehors de la plage de température spécifiée.** Une charge incorrecte ou à des températures en dehors de la plage spécifiée peut endommager la pile et augmenter le risque d'incendie.

## ENTRETIEN

- **Les réparations de l'outil électrique doivent être confiées à un technicien qualifié, utilisant exclusivement des pièces identiques à celles d'origine.** Le maintien de la sûreté de l'outil électrique sera ainsi assuré.
- **Ne jamais effectuer la réparation d'un bloc-piles endommagé.** La réparation du bloc-piles doit être réalisée par le fabricant ou les fournisseurs de service agréés uniquement.

## RÈGLES DE SÉCURITÉ SPÉCIFIQUES POUR AGRAFEUSE

- **Supposez toujours que l'outil a des agrafes.** Le manquement négligé de l'agrafeuse peut entraîner des tirs imprévus d'agrafes et des blessures.
- **Ne pas pointer l'outil ni vers soi ni vers quiconque.** Un déclenchement accidentel déchargera l'agrafe causant des blessures.
- **Ne pas actionner l'outil s'il n'est pas fermement appuyé contre la pièce.** Si l'outil n'est pas en contact avec la pièce, l'agrafe peut être déviée de votre cible.
- **Débranchez l'outil de la prise électrique lorsque l'agrafe s'est coincé dans l'outil.** Lorsqu'une agrafe coincée est retirée, l'outil pourra s'activer accidentellement s'il est encore branché.
- **Être prudent en retirant l'agrafe coincée.** Le mécanisme peut être sous compression et l'agrafe coincée peut être déchargée avec une forte pression en essayant de la libérer.
- **N'utilisez pas cet outil pour fixer des câbles électriques.** L'outil n'avait pas été conçu pour installer des câbles électriques et pourra endommager l'isolement des câbles électriques, en provoquant des chocs électriques ou risques d'incendie.
- **N'utilisez que les agrafes qui ont été spécialement conçues pour cet outil.** L'utilisation d'agrafes non prévues par le fabricant de l'outil pourront entraîner des risques de blessures ou bien, de l'outil.
- **Avant chaque utilisation, vérifiez le contact de la pièce et la gâchette pour garantir un bon fonctionnement.** Ne pas désassembler ou serrer les pièces du mécanisme de contact, de déclenchement ou d'entraînement. Cela provoquera un déclenchement intempestif de la cloueuse, causant des blessures graves.
- **Ne pas l'utiliser comme un jouet.** Les agrafes déchargées sont des projectiles capables de causer des blessures graves.
- **Ne pas retirer, modifier ou rendre autrement inutilisables les commandes de l'outil.** Cela provoquera un déclenchement intempestif de la cloueuse, causant des blessures graves.
- **Ne pas utiliser un outil si une partie de ses commandes est inutilisable, déconnectée, altérée ou défaillante.** Cela provoquera un déclenchement intempestif de la cloueuse, causant des blessures graves.
- **Toujours garder les mains et le corps à l'écart de la décharge de l'outil.** Ne jamais tenter de débouurrer l'outil en agrippant la zone de décharge. Les agrafes déchargées de l'outil peuvent provoquer des blessures graves si elles touchent les mains ou le corps.
- **Ne pas planter d'agrafes près du bord de la pièce.** Les agrafes peuvent glisser des bords et des coins ou pénétrer dans les matériaux fins, ce qui en fait des projectiles capables de causer des blessures graves.
- **L'outil ne doit être utilisé que pour les fins auxquelles il a été conçu.** Ne pas maltraiter l'outil. Ne pas l'utiliser pour percer, estampiller l'outil. Ne pas l'utiliser pour percer, estampiller ou graver des informations sur les pièces, ne pas faire tomber l'outil ou lui faire subir des chocs, ni autrement appliquer une force excessive lorsqu'il est utilisé. Ne pas monter l'outil sur un socle ou le modifier pour une utilisation fixe.

**⚠ AVERTISSEMENT** Afin de minimiser le risque de blessures, lorsque de travaux sont faits dans de situations poussiéreuses, porter une protection respiratoire ou bien, utiliser une solution d'extraction de poussière conforme aux normes OSHA.

• **Toujours faire preuve de bon sens et procéder avec prudence lors de l'utilisation d'outils.** C'est impossible de prévoir toutes les situations dont le résultat est dangereux. Ne pas utiliser cet outil si vous ne comprenez pas ces instructions d'opération ou si vous pensez que le travail dépasse votre capacité ; veuillez contacter Milwaukee Tool ou un professionnel formé pour recevoir plus d'information ou formation.

• **Maintenir en l'état les étiquettes et les plaques d'identification.** Des informations importantes y figurent. Si elles sont illisibles ou manquantes, contacter un centre de services et d'entretien MILWAUKEE pour un remplacement gratuit.

**⚠ AVERTISSEMENT** Certaines poussières générées par les activités de ponçage, de coupe, de rectification, de perçage et d'autres activités de construction contiennent des substances considérées être la cause de malformations congénitales et de troubles de l'appareil reproducteur. Parmi ces substances figurent :

- le plomb contenu dans les peintures à base de plomb ;
  - la silice cristalline des briques, du ciment et d'autres matériaux de maçonnerie, ainsi que
  - l'arsenic et le chrome des sciages traités chimiquement.
- Les risques encourus par l'opérateur envers ces expositions varient en fonction de la fréquence de ce type de travail. Pour réduire l'exposition à ces substances chimiques, l'opérateur doit : travailler dans une zone bien ventilée et porter l'équipement de sécurité approprié, tel qu'un masque anti-poussière spécialement conçu pour filtrer les particules microscopiques.

## PICTOGRAPHIE



Volts



Courant direct



Lire le manuel d'utilisation



**AVERTISSEMENT !** Risque d'électrocution. Ne pas utiliser l'outil à proximité de câbles électriques.



Porter une protection oculaire



**AVERTISSEMENT !** Garder les mains à l'écart

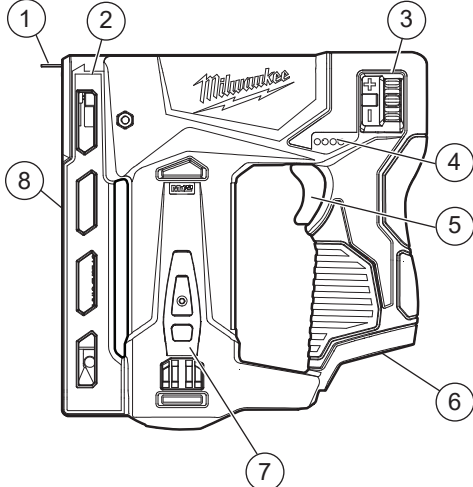


UL Listing Mark pour Canada et États-unis

## SPECIFICATIONS

No de Cat.....	2447-20
Volts.....	12 CD
Type de batterie.....	M12™
Type de chargeur.....	M12™
Type d'agrafe.....	Agrafes à couronne de 10 mm (3/8") (T-50®)
Taille d'agrafe.....	6 mm (1/4"), 8 mm (5/16"), 10 mm (3/8"), 12 mm (1/2"), 14 mm (9/16")
Température ambiante de fonctionnement recommandée.....	-18°C à 50°C (0°F à 125°F)

## DESCRIPTION FONCTIONNELLE



1. Support de contact matière
2. Indicateur de sortie d'agrafes
3. Réglage de puissance
4. Indicateur de charge de la batterie
5. Gâchette
6. Compartiment de piles
7. Pince de ceinture
8. Magasin

## MONTAGE DE L'OUTIL

**AVERTISSEMENT** Ne recharger la batterie qu'avec le chargeur spécifié. Pour les instructions de charge spécifiques, lire le manuel d'utilisation fourni avec le chargeur et les batteries.

### Insertion/Retrait de la batterie

Pour **retirer** la batterie, enfoncer les boutons de déverrouillage et la tirer hors de l'outil.

**AVERTISSEMENT** Toujours retirer la batterie les fois que l'outil est inutilisé.

Pour **insérer** la batterie, la glisser dans le corps de l'outil. S'assurer qu'elle est fixée solidement.

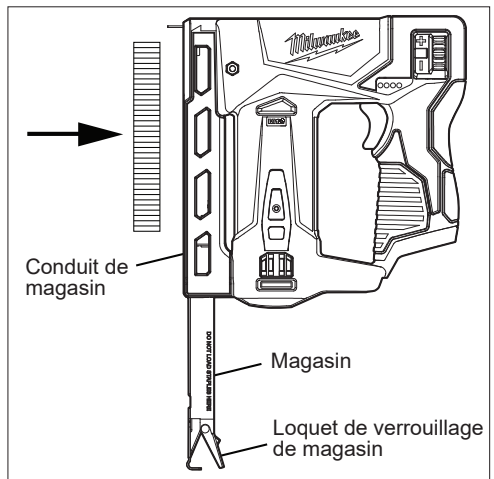
**AVERTISSEMENT** L'emploi d'accessoires autres que ceux qui sont expressément recommandés pour cet outil peut comporter des risques.

### Installation/enlèvement d'agrafes

**AVERTISSEMENT** Retirez toujours le bloc-piles avant de changer ou retirer les agrafes. Portez toujours des lunettes de protection ou lunettes correctrices avec protection latérale.

Pour **installer** les agrafes :

1. Retirez le bloc-piles.
2. **AVERTISSEMENT !** Visez toujours l'outil loin de vous ou d'autres lorsque vous installez des agrafes. Ne pas le faire peut entraîner des blessures.
3. Tirez le loquet de verrouillage vers le haut et sortez le magasin de l'outil.
4. Mettez les agrafes dans le conduit de magasin. Les jambes des agrafes doivent toujours être visées vers l'extérieur, en ailleurs du corps de l'outil. **AVERTISSEMENT !** N'utilisez que les agrafes recommandées, du type et de la taille corrects. D'agrafes différentes peuvent entraîner un défaut fonctionnel en l'outil et des blessures peuvent survenir.



5. Repoussez le magasin jusqu'il s'est fermé d'un coup sec.

Pour **retirer** les agrafes :

1. Retirez le bloc-piles.
2. **AVERTISSEMENT !** Visez toujours l'outil loin de vous et d'autres lorsque vous installez les agrafes. Ne pas le faire pourrait entraîner des blessures.
3. Tirez le loquet de verrouillage vers le haut et sortez le magasin de l'outil.
4. Retirez les agrafes.

**AVERTISSEMENT** Pour réduire le risque de blessure, toujours porter des lunettes de sécurité ou des lunettes avec écrans latéraux. L'opérateur et les autres personnes présentes dans la zone de travail doivent porter des protections oculaires conformément à la norme ANSI Z87.1. Les protections oculaires ne s'ajustent pas de la même façon sur toutes les personnes. Veiller à ce que le dispositif oculaire soit doté d'écrans latéraux protégeant des débris projetés sur le devant et les côtés. L'employeur est chargé d'imposer l'utilisation de protections oculaires par l'opérateur et les autres personnes présentes dans la zone de travail. Lorsque cela est nécessaire, porter un casque conformément à la norme ANSI Z89.1.

Pour réduire les risques de blessures à vous-même et aux autres, tester l'outil avant de commencer à travailler chaque jour, selon la section « Tests obligatoires au quotidien ».

Retirer le bloc-piles et les agrafes avant de quitter la zone de travail, de déplacer l'outil dans un autre endroit ou de le prêter à une autre personne. Ne pas procéder de la sorte peut entraîner des blessures graves.

Ne pas utiliser cet outil pour fixer des câbles électriques. Il n'est pas conçu pour l'installation des câbles électriques et peut endommager leur isolation causant un risque de choc électrique ou d'incendie.

Ne JAMAIS caler ou bloquer le mécanisme de sûreté de déclenchement par contact pendant que l'outil est en fonctionnement. Ne jamais tenter de débourrer l'outil en agrippant la zone de décharge. Cela pourrait entraîner des blessures graves.

Afin d'éviter des blessures graves, ne tenez pas l'outil assez fermement pour éviter le recul. Tenez votre visage et corps à l'écart de l'outil. Pendant son utilisation régulière, l'outil aura un recul immédiat après le poussage d'une agrafe. Cela est l'opération régulière de l'outil. Tenez la manette fermement, laissez l'outil agir et ne mettez pas l'autre main au-dessus de l'outil.

Lorsque des travaux sont faits dans des situations poussiéreuses, porter une protection respiratoire ou bien, utiliser une solution d'extraction de poussière conforme aux normes OSHA.

### Indicateur de charge de la batterie

Pour déterminer l'autonomie de la batterie, allumez l'outil. La jauge de carburant s'allume pendant 2-3 secondes. Lorsque moins de 10% de la charge est laissée, une lumière sur la jauge de carburant clignotera 4 fois.

Pour signaler la fin de la charge, une lumière sur la jauge de carburant clignotera 8 fois et l'outil ne s'exécutera pas. Chargez le bloc-piles.

Si la batterie devient trop chaude, les voyants de jauge de carburant clignoteront et l'outil ne s'exécutera pas. Laissez la batterie refroidir.

### Opération d'actionnement

1. Insérez le bloc-piles.
2. Réglez la puissance. Tournez vers + pour un usage intensif ; tournez vers - pour un usage modéré.
3. Pour un **actionnement séquentiel** : Alignez l'agrafe sur la matière. Appuyez le support de contact contre la matière et après, appuyez la gâchette fermement. Relâchez la gâchette.  
Pour un **actionnement de contact** : Aligner l'agrafe sur la matière. Appuyez le support de contact contre la matière et après, appuyez la gâchette fermement. Maintenez la gâchette appuyée lorsque l'agrafeuse est retirée et remise sur la matière pour un agrafage continu.

### Indicateur de recharge

Pour indiquer que le chargeur est presque vide (environ 4-5 agrafes restantes), le dispositif de contact de la pièce ne s'actionne pas, empêchant ainsi toute utilisation sous une pression habituelle. Installer de nouvelles agrafes pour continuer à travailler.

**AVERTISSEMENT** Ne JAMAIS caler ou bloquer le mécanisme de sûreté de déclenchement par contact pendant que l'outil est en fonctionnement. Ne jamais tenter de débourrer l'outil en agrippant la zone de décharge. Cela pourrait entraîner des blessures graves.

Afin d'éviter des blessures sérieuses, ne tenez l'outil assez fermement sur le travail. Tenez votre visage et corps à l'écart de l'outil. Pendant son utilisation régulière, l'outil aura un recul immédiat après le poussage d'une agrafe. Cela est l'opération régulière de l'outil. Tenez la manette fermement, laissez l'outil agir et ne mettez pas l'autre main au-dessus de l'outil.

### Réglage de puissance

La puissance d'actionnement peut être réglée selon la taille de l'agrafe et la matière de travail.

**AVERTISSEMENT** Sachez ce qui est derrière votre matière. Une agrafe peut traverser la matière, sortir de l'autre côté et frapper un passant innocent, lui infligeant des blessures. Baissez le réglage de puissance afin d'éviter que l'agrafe soit poussée à travers la matière toute entière.

1. Poussez une agrafe pilote.
2. Retirez le bloc-piles.
3. **AVERTISSEMENT** ! Visez toujours l'outil loin de vous et d'autres lorsque vous le réglez. Ne pas le faire peut entraîner des blessures.
4. Augmentez ou baissez la puissance afin de la régler.
5. Répétez ces instructions pour obtenir le réglage désiré.

### Nettoyage d'une agrafe coincée

La plupart des cas de coincage sont provoqués par une agrafe ou la partie d'une, lesquelles sont coincées entre la lame de poussage et la guide de l'agrafeuse. Les bandes d'agrafeuse qui n'ont pas la taille correcte peuvent entraîner des coincages continus. Pour corriger le coincage :

1. Retirez le bloc-piles.
2. **AVERTISSEMENT !** Visez toujours l'outil loin de vous et d'autres lorsque vous installez ou retirez les agrafes. Ne pas le faire peut entraîner des blessures.
3. Retirez la bande de l'agrafe du magasin.
4. Tirez le loquet de verrouillage vers le haut et sortez le magasin de l'outil.
5. Retirez l'agrafe et d'autres débris (utilisez une pince à nez aiguille si nécessaire).
6. Fermez le loquet de verrouillage coincé.
7. Suivez les instructions dans la section « Tests obligatoires au quotidien » avant de reprendre le travail.

### TESTS OBLIGATOIRES AU QUOTIDIEN

**⚠ AVERTISSEMENT** Pour réduire les risques de blessures à vous-même et aux autres, tester l'outil avant de commencer à travailler chaque jour ou si l'outil est tombé, a reçu un choc violent ou a été écrasé, etc. Complétez la liste de vérification suivante **DANS L'ORDRE**. Si l'outil ne fonctionne pas normalement, communiquer immédiatement avec un centre de service MILWAUKEE.

**Ne jamais pointer l'outil vers soi ni vers quiconque.**

1. Retirez le bloc-piles.
2. **AVERTISSEMENT !** Visez l'outil loin de vous et d'autres lorsque vous installez des agrafes. Ne pas le faire peut entraîner des blessures.
3. Vérifiez tous les vis, boulons, écrous et épingle dans l'outil. Toutes les agrafes lâches doivent être serrées.
4. Tirez le loquet de verrouillage vers le haut et sortez le magasin de l'outil. Appuyez le contact matière contre une matière. Il doit se déplacer sans heurt.
5. Avec le contact matière pressé sur la matière, appuyez la gâchette. Elle doit agir sans heurt.
6. Insérez le bloc-piles.
7. Assurez-vous que le magasin sort toujours. En tenant le contact matière loin de la matière, appuyez la gâchette et maintenez-la appuyée cinq seconds. L'outil ne doit pas agir. Relâchez la gâchette.
9. Si tous les tests antérieurs ont remporté des bons résultats, réglez l'outil selon le travail désiré. Choisissez l'utilisation désirée et mettez les bandes d'agrafes.
10. Réglez la puissance selon les indications qui se trouvent dans la section « Réglage de puissance ».
11. Si vous avez réussi à compléter tous les tests, l'outil est prêt à l'emploi. Répétez ces tests tous les jours avant d'utiliser l'outil ou bien, s'il est tombé par terre, a reçu un choc violent, a été écrasé, est coincé, etc.

### ENTRETIEN

**⚠ AVERTISSEMENT** Pour minimiser les risques de blessures corporelles, débranchez le chargeur et retirez la batterie du chargeur ou de l'outil avant d'y effectuer des travaux d'entretien. Ne démontez jamais l'outil, la batterie ou le chargeur. Pour toute réparation, consultez un centre de service MILWAUKEE accrédité.

### Entretien de l'outil

Gardez l'outil en bon état en adoptant un programme d'entretien ponctuel. Inspectez votre outil pour des questions telles que le bruit excessif, de grippage des pièces mobiles, de pièces cassées ou toute autre condition qui peut affecter le fonctionnement de l'outil. Retournez votre outil à un centre de service MILWAUKEE accrédité pour obtenir le service. Après une période pouvant aller de 6 mois à un an, selon l'usage, retournez votre outil à un centre de service MILWAUKEE accrédité pour d'inspection.

Si l'outil ne démarre pas ou ne fonctionne pas à pleine puissance alors qu'il est branché sur une batterie complètement chargée, nettoyez les points de contact entre la batterie et l'outil. Si l'outil ne fonctionne toujours pas correctement, renvoyez l'outil, le chargeur et la batterie à un centre de service MILWAUKEE accrédité.

**⚠ AVERTISSEMENT** Pour minimiser les risques de blessures ou de dommages à l'outil, n'immergez jamais l'outil, la batterie ou le chargeur et ne laissez pas de liquide s'y infiltrer.

### Nettoyage

Débarrassez les tous événements des débris et de la poussière. Gardez les outil propres, à sec et exempts d'huile ou de graisse. Le nettoyage doit se faire avec un linge humide et un savon doux. Certains nettoyeurs tels l'essence, la térébenthine, les diluants à laque ou à peinture, les solvants chlorés, l'ammoniaque et les détergents d'usage domestique qui en contiennent pourraient détériorer le plastique et l'isolation des pièces. Ne laissez jamais de solvants inflammables ou combustibles auprès des outils.

### Réparations

Pour les réparations, retournez outil, batterie et chargeur en entier au centre-service autorisé le plus près.

### ACCESSOIRES

**⚠ AVERTISSEMENT** L'utilisation d'autres accessoires que ceux qui sont spécifiquement recommandés pour cet outil peut comporter des risques.

Pour une liste complète des accessoires, visiter le site internet [www.milwaukeetool.com](http://www.milwaukeetool.com) ou contactez un distributeur.

### SERVICE - CANADA

**Milwaukee Tool (Canada) Ltd**  
1.800.268.4015

Monday-Friday, 7:00 AM - 4:30 PM CST  
[www.milwaukeetool.ca](http://www.milwaukeetool.ca)

### GARANTIE LIMITÉE - AUX ÉTATS-UNIS ET AU CANADA

Chaque outil électrique\* MILWAUKEE (voir les exceptions ci-dessous) est garanti uniquement à l'acheteur d'origine d'être exempt de tous défauts de matériau et de main-d'œuvre. Sous réserve de certaines exceptions, MILWAUKEE réparera ou remplacera toute pièce d'un outil électrique qui, après examen par MILWAUKEE, est affectée d'un vice de matériau ou de main-d'œuvre pendant une période de cinq (5) ans\*\* après la date d'achat, sauf indication contraire. Il faudra retourner l'outil électrique à un centre de service en usine MILWAUKEE ou à un poste d'entretien agréé MILWAUKEE, en port prépayé et assuré. Une copie de la preuve d'achat doit être présentée lors du retour du produit. Cette garantie ne couvre pas les dommages que MILWAUKEE détermine d'être causés par des réparations ou des tentatives de réparation par quiconque d'autre que le personnel agréé par MILWAUKEE, des utilisations incorrectes, des altérations, des utilisations abusives, une usage normale, une carence d'entretien ou les accidents.



Usure normale : Par rapport à plusieurs outils électriques, il faut remplacer et entretenir leurs pièces afin d'achever leur rendement optimal. Cette garantie ne couvre pas les cas de réparation lorsque la vie utile normale de la pièce s'est terminée, incluant, sans s'y limiter, les mandrins, les balais, les câbles, les patins de scie, les brides de lame, les joints toriques, les embouts, les butoirs, les lames d'entraînement, les pistons, les perceurs, les poussoirs et les rondelles de protection de butoir.

\*Cette garantie ne s'applique pas aux cloueurs-agrafeuses pneumatiques, aux pulvérisateurs à peinture sans air, aux blocs-piles pour outils sans fil, aux générateurs d'alimentation portatifs à essence, aux outils à main, aux monte-charge électriques, à levier et à chaîne (manuel), aux vêtements chauffants M12™, aux produits résinés, ni aux produits d'essai et de mesure. Il y a d'autres garanties différentes disponibles pour ces produits.

\*\*La période de garantie couvrant les radios de chantier, le port d'alimentation M12™, la source d'alimentation M18™, le ventilateur de chantier et les chariots de chantier industriels Trade Titan™ est d'une durée d'un (1) an à partir de la date d'achat. La période de la garantie pour les clés à chocs à couple élevé à poignée en « D » de 1" M18 FUEL™, les câbles de nettoyage de drain, les accessoires pour pistolet pneumatique de nettoyage de drains AIRSNAKE™, les niveaux laser USB REDLITHIUM™ et les furets de 0,3 m (25") TRAPSNAKE™ avec CABLE DRIVE™ est d'une durée de deux (2) ans à partir de la date d'achat. La période de la garantie pour le pistolet thermique compact M18™, l'extracteur de poussière de 30,3 l (8 gal), les cloueurs de charpenterie M18™, la clé à chocs à couple contrôlé à enclume extérieure de 1/2" M18 FUEL™ avec ONE-KEY™, la clé à chocs à couple élevé de 1" M18 FUEL™ avec ONE-KEY™, le compresseur silencieux compact de 7,6 l (2 gal) M18 FUEL™, les niveaux laser M12™, le détecteur de laser de 19,8 m (165'), la cloueuse à chevilles 23 GA M12™, la riveteuse aveugle de 6,4 mm (1/4") M18 FUEL™ avec ONE-KEY™, le tampon de pneus basse vitesse M12 FUEL™, les polisseuses à orbite aléatoire M18 FUEL™ et les agrafeuses utilitaires pour clôture M18™ est d'une durée de trois (3) ans à partir de la date d'achat. La période de la garantie pour la lumière à DEL d'une lampe de travail à DEL et l'ampoule transformée à DEL d'une lampe de travail est d'une durée égale à la vie utile du produit en raison des limites précédentes. Si la lumière à DEL ou l'ampoule à DEL tombe en panne durant l'usage normal, la pièce devra être remplacée gratuitement. L'inscription de la garantie n'est pas nécessaire pour bénéficier de la garantie en vigueur d'un outil électrique MILWAUKEE. La date de fabrication du produit servira à établir la période de garantie si aucune preuve d'achat n'est fournie lorsqu'une demande de service sous garantie est faite.

L'ACCEPTATION DES RECOURS EXCLUSIFS DE RÉPARATION ET DE REMPLACEMENT DÉCRITS PAR LA PRÉSENTE EST UNE CONDITION DU CONTRAT D'ACHAT DE TOUT PRODUIT MILWAUKEE. SI VOUS N'ACCEPTÉZ PAS CETTE CONDITION, VOUS NE DEVEZ PAS ACHETER LE PRODUIT. EN AUCUN CAS MILWAUKEE NE SAURAIT ÊTRE RESPONSABLE DE TOUT DOMMAGE ACCESSOIRE, SPÉCIAL OU INDIRECT, DE DOMMAGES-INTÉRÊTS PUNITIFS OU DE TOUTE DÉPENSE, D'HONORAIRES D'AVOCATS, DE FRAIS, DE PERTE OU DE DÉLAIS ACCESSOIRES À TOUT DOMMAGE, DÉFAILLANCE OU DÉFAUT DE TOUT PRODUIT, Y COMPRIS NOTAMMENT LES PERTES DE PROFIT. CERTAINS ÉTATS ET PROVINCES NE PERMETTANT L'EXCLUSION OU LA LIMITATION DES DOMMAGES DIRECTS OU INDIRECTS, LES RESTRICTIONS CI-DESSOUS PEUVENT NE PAS ÊTRE APPLICABLES. CETTE GARANTIE EST EXCLUSIVE ET REMPLACE TOUTE AUTRE GARANTIE EXPRESSE, QU'ELLE SOIT VERBALE OU ÉCRITE. DANS LA MESURE PERMISE PAR LA LOI, MILWAUKEE RENONCE À TOUTE GARANTIE IMPLICITE, Y COMPRIS, SANS S'Y LIMITER, TOUTE GARANTIE IMPLICITE DE COMMERCIALISÉABILITÉ OU D'ADAPTATION À UNE UTILISATION OU À UNE FIN PARTICULIÈRE. DANS LA MESURE OU UNE TELLE STIPULATION D'EXONÉRATION N'EST PAS PERMISE PAR LA LOI, LA DURÉE DE CES GARANTIES IMPLICITES EST LIMITÉE À LA PÉRIODE APPLICABLE DE LA GARANTIE EXPRESSE, TELLE QUE CELA EST DÉCRIT PRÉCÉDEMMENT. CERTAINES PROVINCES NE PERMETTANT PAS DE LIMITATION DE DURÉE DES GARANTIES IMPLICITES, LES RESTRICTIONS CI-DESSOUS PEUVENT NE PAS ÊTRE APPLICABLES. LA PRÉSENTE CONFÈRE À L'UTILISATEUR DES DROITS LÉGALX PARTICULIERS : IL BÉNÉFICIE ÉGALEMENT D'AUTRES DROITS QUI VARIENT D'UNE PROVINCE À L'AUTRE. Cette garantie s'applique uniquement aux produits vendus aux États-Unis et au Canada.

Veuillez consulter l'ongle « Trouver un centre de service », dans la section « Pièces et service » du site web de MILWAUKEE, à l'adresse [www.milwaukeeool.com](http://www.milwaukeeool.com), ou composer le 1-800-SAWDUST (1-800-729-3878) afin de trouver le centre de service de votre région le plus proche pour l'entretien, sous garantie ou non, de votre outil électrique Milwaukee.

## ADVERTENCIAS DE SEGURIDAD GENERALES PARA LA HERRAMIENTA ELÉCTRICA

**⚠️ ADVERTENCIA** Lea todas las advertencias de seguridad, instrucciones, ilustraciones y especificaciones con esta herramienta eléctrica. Si no sigue todas las advertencias e instrucciones, se pueden provocar una descarga eléctrica, un incendio o lesiones graves. Guarde todas las advertencias e instrucciones para consultarlas en el futuro. El término "herramienta eléctrica" en todas las advertencias incluidas más abajo se refiere a su herramienta operada por conexión (cable) a la red eléctrica o por medio de una batería (inalámbrica).

### SEGURIDAD EN EL ÁREA DE TRABAJO

- **Mantenga el área de trabajo limpia y bien iluminada.** Las áreas desordenadas u oscuras son propicias para los accidentes.
- **No utilice herramientas eléctricas en atmósferas explosivas, tales como en presencia de líquidos, gases o polvos inflamables.** Las herramientas eléctricas generan chispas que pueden encender el polvo o los vapores.
- **Mantenga a los niños y a los espectadores alejados mientras utiliza una herramienta eléctrica.** Las distracciones pueden ocasionar la pérdida de control.

### SEGURIDAD ELÉCTRICA

- **Los enchufes de la herramienta eléctrica deben coincidir con el tomacorriente. Nunca modifique el enchufe de ninguna manera. No utilice adaptadores de enchufe con herramientas eléctricas aterrizadas.** Los enchufes y tomacorrientes correspondientes sin modificar reducirán el riesgo de descarga eléctrica.
- **Evite el contacto corporal con superficies aterrizadas, tales como tuberías, radiadores, estufas y refrigeradores.** Existe un riesgo mayor de descarga eléctrica si su cuerpo está aterrizado.
- **No exponga las herramientas eléctricas a la lluvia ni a condiciones húmedas.** Si se introduce agua en una herramienta eléctrica, aumentará el riesgo de descarga eléctrica.
- **No maltrate el cable. Nunca utilice el cable para cargar, jalar o desconectar la herramienta eléctrica. Mantenga el cable alejado del calor, el aceite, los bordes afilados o las partes en movimiento.** Los cables dañados o enredados aumentan el riesgo de descarga eléctrica.
- **Al utilizar una herramienta eléctrica en exteriores, utilice una extensión adecuada para uso en exteriores.** El uso de una extensión adecuada para el uso en exteriores disminuye el riesgo de descarga eléctrica.
- **Si es inevitable utilizar una herramienta eléctrica en un lugar húmedo, utilice un alimentador de corriente protegido con un interruptor de circuito por falla de conexión a tierra (GFCI).** El uso de un GFCI reduce el riesgo de descarga eléctrica.



## SEGURIDAD PERSONAL

- **Manténgase alerta, atento a lo que está haciendo y utilice el sentido común al utilizar una herramienta eléctrica.** No utilice una herramienta eléctrica mientras está cansado o bajo la influencia de drogas, alcohol o medicamentos. Un momento de distracción al utilizar herramientas eléctricas puede ocasionar lesiones personales graves.
- **Utilice equipo de protección personal. Siempre use protección para los ojos.** El equipo de protección, tal como una máscara contra polvo, calzado antideslizante, casco o protección auditiva, utilizado para condiciones adecuadas disminuirá las lesiones personales.
- **Evite el arranque accidental. Asegúrese de que el interruptor esté en la posición de apagado antes de conectarlo a una fuente de poder y/o batería, levantar o trasladar la herramienta.** Trasladar herramientas con el dedo en el interruptor o energizar herramientas eléctricas que tienen el interruptor encendido propicia accidentes.
- **Retire cualquier llave de ajuste antes de entender la herramienta.** Una llave que se deje insertada en una parte giratoria de la herramienta eléctrica puede ocasionar lesiones personales.
- **No estire el cuerpo demasiado. Mantenga un buen contacto entre los pies y el suelo y mantenga el equilibrio en todo momento.** Esto permite un mejor control de la herramienta eléctrica en situaciones inesperadas.
- **Vístase adecuadamente. No utilice ropa o joyería holgada. Mantenga el cabello y la ropa alejados de las partes móviles.** La ropa holgada, las alhajas o el cabello largo pueden quedarse atrapados en las partes móviles.
- **Si se proporcionan dispositivos para la conexión de instalaciones de extracción y recolección de polvo, cerciórese de que estén conectados y se utilicen correctamente.** El uso de dispositivos recolectores de polvo puede disminuir los riesgos relacionados con el polvo.
- **No permita que la familiaridad por el uso frecuente de las herramientas lo hagan sentirse seguro e ignorar los principios de seguridad de las herramientas.** Un descuido puede provocar lesiones graves en una fracción de segundo.

## USO Y CUIDADO DE LAS HERRAMIENTAS ELÉCTRICAS

- **No fuerce la herramienta eléctrica. Utilice la herramienta eléctrica correcta para su aplicación.** La herramienta eléctrica correcta realizará el trabajo mejor y con mayor seguridad a la velocidad para la que fue diseñada.
- **No utilice la herramienta eléctrica si el interruptor no la enciende y la apaga.** Cualquier herramienta eléctrica que no pueda controlarse con el interruptor es peligrosa y debe repararse.
- **Desconecte el enchufe de la fuente de energía y/o quite la batería de la herramienta eléctrica, si es posible, antes de realizar cualquier ajuste, cambiar accesorios o almacenar las herramientas eléctricas.** Tales medidas preventivas de seguridad disminuyen el riesgo de que la herramienta eléctrica se encienda accidentalmente.

- **Almacene las herramientas eléctricas que no se estén utilizando fuera del alcance de los niños y no permita que personas que no estén familiarizadas con la herramienta eléctrica o con estas instrucciones la utilicen.** Las herramientas eléctricas son peligrosas en manos de usuarios sin capacitación.
- **Dé mantenimiento a las herramientas eléctricas y accesorios. Verifique que no haya desalinación, amarre de partes móviles, partes rotas o alguna otra condición que pueda afectar el funcionamiento de la herramienta eléctrica.** Si se daña, asegúrese de que la herramienta eléctrica sea reparada antes de que se utilice. Muchos accidentes son ocasionados por herramientas eléctricas con mantenimiento deficiente.
- **Mantenga las herramientas de corte afiladas y limpias.** Las herramientas de corte correctamente mantenidas con bordes de corte afilados son menos propensas a atorarse y son más fáciles de controlar.
- **Utilice la herramienta eléctrica, los accesorios y las puntas, etc. de acuerdo con estas instrucciones, tomando en cuenta las condiciones de trabajo y el trabajo a realizar.** El uso de la herramienta eléctrica para operaciones diferentes a las previstas podría generar una situación peligrosa.
- **Mantenga las empuñaduras y ñas superficies de sujeción secas, limpias y libres de aceite y grasa.** Las empuñaduras y superficies de sujeción resbalosas no permiten el manejo y control seguros de la herramienta en situaciones inesperadas.

## USO Y CUIDADO DE LAS HERRAMIENTAS CON BATERÍA

- **Recargue únicamente con el cargador especificado por el fabricante.** Un cargador que es adecuado para un tipo de batería puede crear un riesgo de incendio si se utiliza con otra batería.
- **Utilice las herramientas eléctricas únicamente con baterías específicamente diseñadas.** El uso de cualquier otra batería puede producir un riesgo de lesiones e incendio.
- **Cuando la batería no esté en uso, manténgala alejada de otros objetos metálicos como sujetapapeles, monedas, llaves, clavos, tornillos u otros objetos metálicos pequeños que puedan formar una conexión de una terminal a otra.** Crear un corto entre las terminales de la batería puede ocasionar quemaduras o un incendio.
- **Bajo condiciones de maltrato, el líquido puede ser expulsado de la batería, evite el contacto.** En caso de contacto accidental, lave con agua. Si el líquido entra en contacto con los ojos, busque además ayuda médica. El líquido expulsado de la batería puede causar irritación o quemaduras.
- **No use una batería o herramienta que se haya dañado o modificado.** Las baterías dañadas o modificadas pueden mostrar un comportamiento impredecible, causando incendios, explosión o riesgo de lesión.
- **No exponga una batería o herramienta al fuego o a temperatura excesiva.** La exposición a fuego o temperatura a más de 130° C (265° F) puede causar explosiones.
- **Siga todas las instrucciones de carga y no cargue la batería o la herramienta fuera del rango de temperatura especificado en las instrucciones.** La carga incorrecta o a temperaturas fuera del rango especificado puede dañar la batería y aumentar el riesgo de incendio.

## MANTENIMIENTO

- Lleve su herramienta eléctrica a servicio con un técnico calificado que use únicamente piezas de reemplazo idénticas. Esto asegurará que la seguridad de la herramienta eléctrica se mantenga.
- Nunca dé servicio a baterías dañadas. Únicamente el fabricante o proveedores de servicio autorizados deben dar servicio a las baterías.

## RÈGLES DE SÉCURITÉ SPÉCIFIQUES POUR ENGRAPADORA

- Siempre asuma que la herramienta contiene sujetadores. El manejo descuidado de la engrapadora puede resultar en disparos inesperados de los sujetadores y en lesiones personales.
- No apunte la herramienta hacia usted o alguien cercano. Si se oprime el gatillo de forma inesperada se descargará el sujetador, ocasionando una lesión.
- No accione la herramienta a menos que esté colocada firmemente contra la pieza de trabajo. Si la herramienta no está en contacto con la pieza de trabajo, el sujetador puede desviarse en dirección opuesta al objetivo.
- Desconecte la herramienta de la fuente de energía cuando el sujetador se atasque en la herramienta. Al retirar un sujetador atascado, la herramienta puede activarse accidentalmente si está conectada.
- Tenga cuidado al retirar el sujetador atascado. El mecanismo puede estar bajo compresión y el sujetador puede ser descargado con fuerza mientras intenta liberar una condición de atasco.
- No use esta herramienta para sujetar cables eléctricos. No está diseñada para la instalación de cables eléctricos y puede dañar el aislamiento de cables eléctricos; por ende, causando un choque eléctrico o riesgo de incendio.
- Utilice únicamente sujetadores específicamente recomendados. Los sujetadores no identificados por el fabricante para usarse con esta herramienta pueden causar riesgo de lesiones para las personas o daño a la herramienta.
- Antes de cada uso, revise el contacto con la pieza de trabajo y el gatillo para la correcta operación. No desensamble ni pinche partes del contacto de la pieza de trabajo, el gatillo o el mecanismo impulsor. Esto provocará el accionamiento inesperado, causando lesiones graves.
- No participe en juegos bruscos. Los sujetadores descargados son proyectiles capaces de causar lesiones graves.
- No quite, modifique ni cause de otro modo que los controles de la herramienta dejen de funcionar. Esto provocará el accionamiento inesperado, causando lesiones graves.
- No haga funcionar la herramienta si alguna porción de los controles de operación de la herramienta es inoperable, está desconectada, alterada o no funciona correctamente. Esto provocará el accionamiento inesperado, causando lesiones graves.
- Siempre mantenga las manos y el cuerpo alejados del área de descarga de la herramienta. Nunca intente despejar una pieza de trabajo atascada sujetando el área de descarga de la herramienta. Los sujetadores descargados desde la herramienta pueden causar lesiones graves si entran en contacto con las manos o el cuerpo.

- No ponga sujetadores cerca del borde de la pieza de trabajo. Los sujetadores pueden deslizarse hacia fuera de esquinas y bordes o penetrar a través de material delgado, lo que los convierte en proyectiles capaces de causar lesiones graves.
- Use la herramienta solamente para el objetivo previsto. No maltrate la herramienta. No la utilice como martillo, no selle ni grabe información sobre las piezas, no deje caer ni golpee la herramienta, ni aplique ningún tipo de fuerza excesiva a la misma. No monte la herramienta en bases ni la modifique para uso estacionario.

**▲ADVERTENCIA** Para reducir el riesgo de lesiones, al momento de realizar trabajos en situaciones donde haya presencia de polvo, utilice la protección respiratoria adecuada o utilice una solución de extracción de polvo que cumpla con los requisitos de la OSHA.

- Válgase siempre de su sentido común y sea cuidadoso cuando utilice herramientas. No es posible anticipar todas las situaciones que podrían tener un desenlace peligroso. No utilice esta herramienta si no entiende estas instrucciones de uso o si considera que el trabajo a realizar supera sus capacidades, comuníquese con Milwaukee Tool o con un profesional capacitado para recibir capacitación o información adicional.
- Conserva las etiquetas y las placas nominales. Contienen información importante. Si son ilegibles o no están presentes, comuníquese con un centro de servicio MILWAUKEE para obtener un reemplazo gratuito.

**▲ADVERTENCIA** Algunos polvos generados por el lijado eléctrico, aserrado, pulido, taladrado y otras actividades de construcción contienen químicos identificados como causantes de cáncer, defectos congénitos u otros daños reproductivos. Algunos ejemplos de estos químicos son:

- plomo de pintura basada en plomo
- dióxido de silicio de los ladrillos y el cemento y otros productos de albañilería y
- arsénico y cromo de madera con tratamiento químico. Su riesgo por estas exposiciones varía, dependiendo de la frecuencia con que realice este tipo de trabajo. Para reducir su exposición a estos químicos: trabaje en un área bien ventilada y trabaje con equipo de seguridad aprobado, como mascarillas protectoras contra polvo especialmente diseñadas para filtrar partículas microscópicas.

## ESPECIFICACIONES

Cat. No.....	2447-20
Volts.....	12 CD
Tipo de batería .....	M12™
Tipo de cargador .....	M12™
Tipo de engrapadora .....	Grapas de corona de 10 mm (3/8") (T-50®)
Tamaño de la grapa.....	6 mm (1/4"), 8 mm (5/16"), 10 mm (3/8"), 12 mm (1/2"), 14 mm (9/16")
Temperatura ambiente recomendada para operar .....	-18°C to 50°C (0°F to 125°F)

## SIMBOLOGÍA



Volts



Corriente continua



Lea el manual del operador



**¡ADVERTENCIA!** Riesgo de descarga eléctrica. No lo utilice cerca de cables eléctricos.



Use protección para los ojos

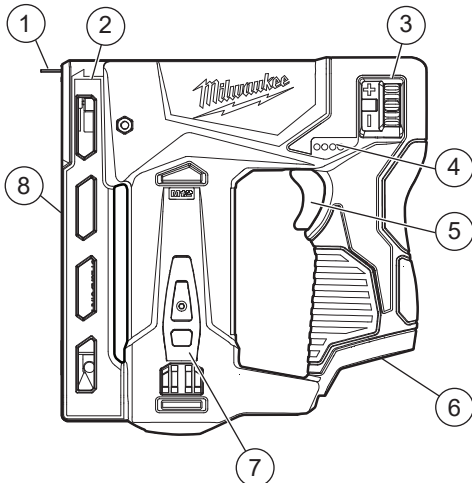


**¡ADVERTENCIA!** No acerque las manos



UL Listing Mark para Canadá y Estados Unidos

## DESCRIPCIÓN FUNCIONAL



1. Soporte de contacto de la pieza de trabajo
2. Indicador de salida de la grapa
3. Ajuste de potencia
4. Indicador de carga
5. Gatillo
6. Compartimiento para baterías
7. Gancho para el cinturón
8. Cargador

## ENSAMBLAJE

**¡ADVERTENCIA!** Recargue la batería sólo con el cargador especificado para ella. Para instrucciones específicas sobre cómo cargar, lea el manual del operador suministrado con su cargador y la batería.

### Como se inserta/quita la batería en la herramienta

Para **retirar** la batería, presione los botones de liberación y jale de la batería para sacarla de la herramienta.

**¡ADVERTENCIA!** Siempre el retire la batería cada vez que la herramienta no esté en uso.

Para **introducir** la batería, deslícela en el cuerpo de la herramienta. Asegúrese de que quede bien firme en su posición.

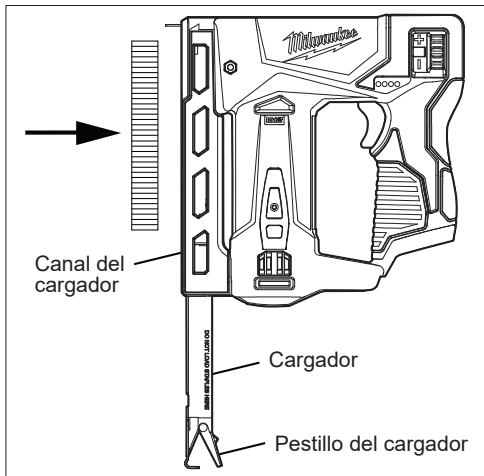
**¡ADVERTENCIA!** Utilice únicamente accesorios específicamente recomendados para esta herramienta. El uso de accesorios no recomendados podría resultar peligroso.

### Instalar/retirar los sujetadores

**¡ADVERTENCIA!** Siempre retire la batería antes de cambiar o retirar los sujetadores. Siempre use lentes o gafas de seguridad con protectores laterales.

Para **instalar** los sujetadores:

1. Quite la batería.
2. **¡ADVERTENCIA!** Siempre apunte la herramienta alejada de usted y los demás cuando instale los sujetadores. El no hacerlo puede resultar en lesiones.
3. Presione el pestillo del cargador y saque el cargador de la herramienta.
4. Inserte los sujetadores en el canal del cargador. Las patas del sujetador deben apuntar hacia afuera, alejadas del cuerpo de la herramienta. **¡ADVERTENCIA!** Use únicamente los sujetadores recomendados de tipo y tamaño correctos. Otros sujetadores pueden resultar en fallas de la herramienta, que causen una lesión.



5. Empuje el cargador hacia atrás hasta que cierre a presión.

Para **retirar** los sujetadores:

1. Quite la batería.
2. **¡ADVERTENCIA!** Siempre apunte la herramienta alejada de usted y los demás cuando instale los sujetadores. El no hacerlo puede resultar en lesiones.
3. Presione el pestillo del cargador y saque el cargador de la herramienta.
4. Retire los sujetadores.

**⚠ADVERTENCIA** Para reducir el riesgo de lesiones, siempre utilice gafas o lentes de seguridad con protectores laterales. El operador y otras personas que se encuentren en el área de trabajo deben usar protección ocular de conformidad con ANSI Z87.1. La protección ocular no les queda de la misma manera a todos los operadores. Asegúrese de que se elija protección ocular que tenga protectores laterales o que ofrezca protección contra desechos voladores tanto del frente como de los costados. El empleador es responsable de hacer obligatorio el uso de protección ocular por parte del operador y otras personas en el área de trabajo. Cuando se requiera, use protección para la cabeza de acuerdo con ANSI Z89.1.

Para disminuir el riesgo de lesiones para usted y para los demás, pruebe la herramienta antes de comenzar a trabajar cada día de acuerdo con la sección "Pruebas diarias requeridas".

Extraiga la batería y los sujetadores antes de abandonar el área de trabajo, moviendo la herramienta a otro lugar o entregándosela a otra persona. De no hacerlo, podrían producirse lesiones graves.

No use esta herramienta para sujetar cables eléctricos. No está diseñada para la instalación de cables eléctricos y puede dañar el aislamiento de los cables eléctricos, ocasionando descarga eléctrica o riesgos de incendio.

**NUNCA** calce ni frene el mecanismo de contacto de la pieza de trabajo durante el funcionamiento de la herramienta. Nunca intente despejar una pieza de trabajo atascada sujetando el área de descarga de la herramienta. Hacerlo podría causar lesiones graves.

Para evitar lesiones graves, no intente evitar el contragolpe sosteniendo la herramienta con mucha firmeza contra la superficie de trabajo. Mantenga la cara y el cuerpo alejados de la herramienta. Durante el uso normal, la herramienta dará un contragolpe inmediatamente después de impulsar un sujetador. Esta es una función normal de la herramienta. Sujete el mango con firmeza, deje que la herramienta haga su trabajo y no coloque una segunda mano encima de la herramienta.

Al momento de realizar trabajos en situaciones donde haya presencia de polvo, utilice la protección respiratoria adecuada o utilice una solución de extracción de polvo que cumpla con los requisitos de la OSHA.

### Indicador de carga

Para determinar la cantidad de carga que queda en la batería, **encienda** la herramienta. El medidor de combustible se iluminará durante 2-3 segundos. Cuando se deja menos del 10% de carga, 1 luz en el medidor de combustible parpadeará 4 veces.

Para indicar el final de la carga, 1 luz en el medidor de combustible parpadeará 8 veces y la herramienta no funcionará. Cargue el paquete de baterías.

Si la batería se calienta demasiado, las luces del medidor de combustible parpadearán y la herramienta no funcionará. Deje que la batería se enfríe.

## Operación de accionamiento

1. Inserte la batería.
2. Ajuste de potencia. Rote hacia + para las aplicaciones de uso rudo, rote hacia - para operaciones más ligeras.
3. Para el **accionamiento en secuencia**:  
Alinee el sujetador a la pieza de trabajo. Presione el soporte de contacto de la pieza de trabajo a la pieza de trabajo y apriete el gatillo con firmeza. Suelte el gatillo.

Para el **accionamiento al contacto**:

Alinee el sujetador a la pieza de trabajo. Presione el soporte de contacto de la pieza de trabajo a la pieza de trabajo y apriete el gatillo con firmeza. Sostenga el gatillo mientras retira y vuelve a acomodar la engrapadora a la pieza de trabajo para obtener un engrapado continuo.

### Indicador de recarga

Para indicar que el cartucho está casi vacío de sujetadores (quedan aproximadamente 4 o 5), el contacto de la pieza de trabajo no comprimirá, evitando la operación bajo la presión normal. Instale más sujetadores para seguir trabajando.

**⚠ADVERTENCIA** **NUNCA** calce ni frene el mecanismo de contacto de la pieza de trabajo durante el funcionamiento de la herramienta. Nunca intente despejar una pieza de trabajo atascada sujetando el área de descarga de la herramienta. Hacerlo podría causar lesiones graves.

Para evitar lesiones graves, no intente evitar el contragolpe sosteniendo la herramienta con mucha firmeza contra la superficie de trabajo. Mantenga la cara y el cuerpo alejados de la herramienta. Durante el uso normal, la herramienta dará un contragolpe inmediatamente después de impulsar un sujetador. Esta es una función normal de la herramienta. Sujete el mango con firmeza, deje que la herramienta haga su trabajo y no coloque una segunda mano encima de la herramienta.

### Configurar el ajuste de potencia

La potencia del impulsor puede ajustarse dependiendo del tamaño del sujetador y material de la pieza de trabajo.

**⚠ADVERTENCIA** Sepa qué hay detrás de su pieza de trabajo. Un sujetador podría viajar y atravesar la pieza de trabajo hasta el otro lado, impactando a un transeúnte y causando lesiones graves. Baje el ajuste de potencia para evitar que el sujetador se presione hasta el fondo y a través de la pieza de trabajo.

1. Realice una sujeción de prueba.
2. Quite la batería.
3. **¡ADVERTENCIA!** Siempre apunte la herramienta alejada de usted y los demás cuando haga ajustes. El no hacerlo puede resultar en lesiones.
4. Gire el ajuste de potencia hacia arriba o hacia abajo para aumentar o disminuir la potencia.
5. Repita hasta lograr la potencia deseada.

## Liberar un sujetador atascado

La mayoría de los atasques suceden porque un sujetador o parte de un sujetador se acuña entre la hoja del accionador y la guía de la engrapadora. Las cintas sujetadoras con un calibre de sujetador incorrecto pueden causar atasques continuos. Para liberar del atasque:

1. Quite la batería.
2. ¡**ADVERTENCIA!** Siempre apunte la herramienta alejada de usted y los demás cuando instale o retire los sujetadores. El no hacerlo puede resultar en lesiones.
3. Retire la cinta sujetadora del cargador.
4. Jale el pestillo del cargador hacia abajo y saque el cargador de la herramienta.
5. Retire los sujetadores y otros desperdicios (use pinzas de punta fina si es necesario).
6. Cierre el pestillo atascado.
7. Siga los pasos de "Pruebas diarias obligatorias" antes de volver a empezar el trabajo.

## PRUEBAS DIARIAS REQUERIDAS

▲**ADVERTENCIA** Para disminuir el riesgo de lesiones para usted y otras personas, pruebe la herramienta antes de comenzar el trabajo cada día o si la herramienta se cae, recibe un golpe brusco, ha sido arrollada por un vehículo, etc. Realice la siguiente lista de verificación EN ORDEN. Si la herramienta no funciona como debiera, póngase en contacto con un centro de servicio MILWAUKEE inmediatamente. Siempre apunte la herramienta lejos de usted y otros.

1. Quite la batería.
2. ¡**ADVERTENCIA!** Siempre apunte la herramienta alejada de usted y los demás cuando instale los sujetadores. El no hacerlo puede resultar en lesiones.
3. Revise todos los tornillos, pernos, tuercas y pasadores de la herramienta. Debe apretarse cualquier sujetador suelto.
4. Presione el pestillo del cargador y saque el cargador de la herramienta. Presione el contacto de la pieza de trabajo contra una pieza de trabajo. Debe moverse con suavidad.
5. Con el contacto de la pieza de trabajo presionado contra la pieza de trabajo, jale el gatillo. Debe moverse con suavidad.
6. Inserte la batería.
7. Asegúrese de que el cargador siga afuera. Sosteniendo el contacto de la pieza de trabajo alejado de la pieza de trabajo, jale y sostenga el gatillo durante 5 segundos. La herramienta no debe operar. Suelte el gatillo.
9. Si todas las pruebas anteriores funcionan correctamente, configure la herramienta para su trabajo. Seleccione la operación y cargue las cintas sujetadoras.
10. Configure el ajuste de potencia según la sección "Configurar el ajuste de potencia".
11. Si todas las pruebas operan correctamente, la herramienta está lista para usarse. Repita estas pruebas antes de usarse cada día o si la herramienta se cae, recibe un golpe seco, se le pasa un objeto por encima, se atasca, etc.

## MANTENIMIENTO

▲**ADVERTENCIA** Para reducir el riesgo de una lesión, desconecte siempre la herramienta antes de darle cualquier mantenimiento. Nunca desarme la herramienta ni trate de hacer modificaciones en el sistema eléctrico de la misma. Acuda siempre a un Centro de Servicio MILWAUKEE para TODAS las reparaciones.

### Mantenimiento de las herramientas

Adopte un programa regular de mantenimiento y mantenga su herramienta en buenas condiciones. Inspeccione la herramienta para problemas como ruidos indebidos, desalineadas o agarradas de partes móviles, piezas rotas o cualquier otra condición que pueda afectar el funcionamiento de la herramienta. Envíe su herramienta al Centro de Servicio MILWAUKEE para reparación. Después de 6 meses a un año, dependiendo del uso dado, envíe su herramienta al Centro de Servicio MILWAUKEE más cercano para la inspección.

Si la herramienta no arranca u opera a toda su potencia con una batería completamente cargada, limpie, con una goma o borrador, los contactos de la batería y de la herramienta. Si aun así la herramienta no trabaja correctamente, regrésela, con el cargador y la batería, a un centro de servicio MILWAUKEE.

▲**ADVERTENCIA** Para reducir el riesgo de lesiones, descarga eléctrica o daño a la herramienta, nunca la sumerja en líquidos ni permita que estos fluyan dentro de la misma.

### Limpieza

Limpie el polvo y suciedad de las cualquier ventilas. Mantenga los herramienta, limpios, secos y libres de aceite o grasa. Use solo jabón neutro y un trapo húmedo para limpiar, ya que algunos sustancias y solventes limpiadores son dañinos a los plásticos y partes aislantes. Algunos de estos incluyen: gasolina, turpentina, thinner, lacas, thinner para pinturas, solventes para limpieza con cloro, amoníaco y detergentes caseros que tengan amonía. Nunca usa solventes inflamables o combustibles cerca de una herramienta.

### Reparaciones

Si su herramienta, batería o cargador están dañados, envíela al centro de servicio autorizado más cercano

## ACCESORIOS

▲**ADVERTENCIA** Utilice sólo los accesorios específicamente recomendados. Otros accesorios puede ser peligroso.

Para una lista completa de accesorios, visite nuestro sitio en Internet: [www.milwaukeetool.com](http://www.milwaukeetool.com) o póngase en contacto con un distribuidor.

## SOPORTE DE SERVICIO - MEXICO

### CENTRO DE ATENCION A CLIENTES

Techtronic Industries Mexico, S.A. de C.V.

Av. Presidente Masarik 29 Piso 7

11560 Polanco V Seccion

Miguel Hidalgo, Distrito Federal, México

01 (800) 030-7777 o (55) 4160-3540

Lunes a Viernes (9am a 6pm)

O contáctanos en [www.milwaukeetool.com.mx](http://www.milwaukeetool.com.mx)



## **GARANTÍA LIMITADA - E.U.A. Y CANADÁ**

Cada herramienta eléctrica de MILWAUKEE (ver excepciones a continuación) está garantizada para el comprador original únicamente de que no tenga material y mano de obra defectuosos. Sujeto a ciertas excepciones, MILWAUKEE reparará o reemplazará cualquier parte en una herramienta eléctrica que tenga defectos de material o mano de obra según lo determine MILWAUKEE mediante una revisión, por un periodo de cinco (5) años\*\* después de la fecha de compra a menos que se indique lo contrario. Al devolver la herramienta eléctrica a un Centro de Servicio de la fábrica de MILWAUKEE o a una Estación de Servicio Autorizada de MILWAUKEE, se requiere que el flete esté pagado por adelantado y asegurado. Se debe incluir una copia del comprobante de compra con el producto devuelto. Esta garantía no aplica a daños que MILWAUKEE determine que son ocasionados por reparaciones o intentos de reparaciones realizados por una persona que no sea personal autorizado de MILWAUKEE, uso indebido, alteraciones, maltrato, desgaste normal, falta de mantenimiento o accidentes.

**Desgaste normal:** Muchas herramientas eléctricas necesitan un reemplazo periódico de partes y servicio para lograr el mejor desempeño. Esta garantía no cubre la reparación cuando el uso normal haya agotado la vida de una parte, incluyendo sin limitar a mandriles, cepillos, cables, zapatas de la sierra, abrazaderas de la hoja, juntas tóricas, sellos, protectores, hojas de desatornilladores, pistones, herrajes, levatatadores y arandelas de cubierta de los protectores.

\*Esta garantía no cubre clavadoras y grapadoras neumáticas, pistola de pintura a presión, baterías inalámbricas, generadores de energía portátil de gasolina, herramientas de mano, balanza y cadena de mano de polipasto - eléctricas, prendas calefactadas M12™, producto reacondicionado y productos de prueba y medición. Están disponibles distintas garantías independientes para estos productos.

\*\*La vigencia de la garantía para los radios para obra, el puerto de energía M12™, la fuente de poder M18™, el ventilador para obra y las cartillas de trabajo industrial Trade Titan™ es de un (1) año a partir de la fecha de compra. La vigencia de la garantía para las llaves de impacto de alto torque con empuñadura en D de 1" M18 FUEL™, los cables de limpieza de drenajes, los accesorios de la pistola de aire para limpieza de drenajes AIRSNAKE™, los niveles láser USB REDLITHIUM™ y el barrenos de 0,3 m (25") TRAPSNAKE con CABLE DRIVE™ es de dos (2) años a partir de la fecha de compra. La vigencia de la garantía para la pistola de calor compacta M18™, el extractor de polvo de 30,3 l (8 gal.), las clavadoras de entramado M18™, la llave de impacto de torque controlado con yunque exterior de 1/2" M18 FUEL™ con ONE-KEY™, la llave de impacto de alto torque de 1" M18 FUEL™ con ONE-KEY™, el compresor silencioso compacto de 7,6 l (2 gal.) M18 FUEL™, los niveles láser M12™, el detector de láser de 19,8 m (65'), la clavadora de broches 23GA M12™, la ribeteadora ciega de 6,4 mm (1/4") M18 FUEL™ con ONE-KEY™, el raspador de neumáticos de baja velocidad M12 FUEL™, las pulidoras de órbita aleatoria M18 FUEL™ y la engrapadora multiusos para cerca M18™ es de tres (3) años a partir de la fecha de compra. La vigencia de la garantía para la luz LED de la lámpara de trabajo LED y del bulbo mejorado de LED de la lámpara de trabajo es de la vida útil del producto sujeto a las limitaciones anteriores. Si la luz LED o el bulbo LED falla durante el uso normal, se cambiará la pieza sin costo. No es necesario realizar el registro de la garantía para recibir la garantía correspondiente a un producto de herramienta eléctrica de MILWAUKEE. La fecha de fabricación del producto servirá para determinar la vigencia de la garantía si no se presenta ningún comprobante de compra al solicitar el servicio en garantía.

LA ACEPTACIÓN DE LOS RESARCIMIENTOS EXCLUSIVOS DE REPARACIÓN Y SUSTITUCIÓN AQUÍ DESCRITOS ES UNA CONDICIÓN DEL CONTRATO EN CUANTO A LA COMPRA DE TODO PRODUCTO DE MILWAUKEE. SI USTED NO ACEPTA ESTA CONDICIÓN, NO DEBE COMPRAR EL PRODUCTO. MILWAUKEE NO SERÁ RESPONSABLE EN NINGÚN CASO DE DAÑOS INCIDENTALES, ESPECIALES, EMERGENTES O PUNITIVOS NI DE NINGÚN COSTO, HONORARIOS DE ABOGADOS, GASTOS, PÉRDIDAS O DEMORAS QUE SUPUESTAMENTE SEAN CONSECUENCIA DE ALGÚN DAÑO, FALLA O DEFECTO DE ALGUNO DE LOS PRODUCTOS, INCLUYENDO, ENTRE OTROS, RECLAMACIONES POR PÉRDIDA DE UTILIDADES. ALGUNOS ESTADOS NO PERMITEN LA EXCLUSIÓN O LIMITACIÓN DE RESPONSABILIDAD POR DAÑOS

INCIDENTALES O EMERGENTES, POR LO QUE LA ANTERIOR LIMITACIÓN O EXCLUSIÓN PODRÍA NO APLICARSE EN SU CASO. ESTA GARANTÍA ES EXCLUSIVA Y SUSTITUYE TODAS LAS DEMAS GARANTÍAS EXPRESAS, SEAN ESTAS ESCRITAS U ORALES. HASTA DONDE PERMITA LA LEY, MILWAUKEE DESCONOCE CUALQUIER GARANTÍA IMPLÍCITA, INCLUYENDO SIN LIMITACIÓN CUALQUIER GARANTÍA IMPLÍCITA DE COMERCIABILIDAD O IDONEIDAD PARA UN FIN O USO ESPECÍFICO; HASTA EN QUE DICHO DESCONOCIMIENTO NO SEA PERMITIDO POR LA LEY, DICHAS GARANTÍAS IMPLÍCITAS SE LIMITAN A LA DURACIÓN DE LA GARANTÍA EXPRESA CORRESPONDIENTE SEGÚN LO ARRIBA DESCRITO. ALGUNOS ESTADOS NO PERMITEN LIMITACIONES EN LA VIGENCIA DE UNA GARANTÍA IMPLÍCITA, POR LO QUE LA ANTERIOR LIMITACIÓN PUDIERA NO APLICAR A USTED. ESTA GARANTÍA LE CONFIERE DERECHOS JURÍDICOS ESPECÍFICOS Y USTED PODRÍA, ADEMÁS, TENER OTROS DERECHOS QUE VARIAN SEGÚN EL ESTADO.

Esta garantía aplica únicamente a los productos vendidos en EE. UU. y Canadá.

Consulte la pestaña "Búsqueda de centro de servicio" en la sección de "Piezas y servicio" del sitio web de MILWAUKEE en [www.milwaukeeool.com](http://www.milwaukeeool.com) o llame al 1.800.SAWDUST (1.800.729.3878) para localizar su centro de servicio más cercano para darle servicio con y sin garantía a una herramienta eléctrica de Milwaukee.

## **PÓLIZA DE GARANTÍA - VALIDA SOLO PARA MEXICO, AMÉRICA CENTRAL Y EL CARIBE**

La garantía de TECHTRONIC INDUSTRIES es por 5 años a partir de la fecha original de compra.

Esta tarjeta de garantía cubre cualquier defecto de material y mano de obra en ese Producto.

Para hacer válida esta garantía, presente esta tarjeta de garantía, cerrada/sellada por el distribuidor o la tienda donde compró el producto, al Centro de Servicio Autorizado (ASC). O, si esta tarjeta no se ha cerrado/sellado, presente la prueba original de compra a ASC. Llame 55 4160-3547 para encontrar el ASC más cercano, para servicio, partes, accesorios o componentes.

### **Procedimiento para hacer válida esta garantía**

Lleve el producto a ASC, junto con la tarjeta de garantía cerrada/sellada por el distribuidor o la tienda donde compró el producto, y cualquier pieza o componente defectuoso se reemplazará sin costo para usted. Cubriremos todos los costos de flete con relación a este proceso de garantía

### **Excepciones**

Esta garantía no tendrá validez en las siguientes situaciones:

- Quando el producto se use de manera distinta a la que indica el manual del usuario final o de instrucciones.
- Quando las condiciones de uso no sean normales.
- Quando otras personas no autorizadas por TECHTRONIC INDUSTRIES modifiquen o reparen el producto.

**Nota:** si el juego de cables está dañado, tiene que reemplazarse en un Centro de Servicio Autorizado para evitar riesgos eléctricos.

### **CENTRO DE SERVICIO Y ATENCIÓN**

Llame al 55 4160-3547

IMPORTADO Y COMERCIALIZADO POR  
TECHTRONIC INDUSTRIES, MÉXICO, S.A. DE C.V.  
Miguel de Cervantes Saavedra No.301 Piso 5, Torre Norte  
11520 Colonia Ampliación Granada  
Miguel Hidalgo, Ciudad de Mexico, Mexico

**Modelo:** \_\_\_\_\_

**Fecha de Compra:** \_\_\_\_\_

**Sello del Distribuidor:** \_\_\_\_\_

**MILWAUKEE TOOL**  
135 West Lisbon Road  
Brookfield, WI 53005 USA

58142417d3  
11/21

961012185-03(A)  
Printed in Vietnam