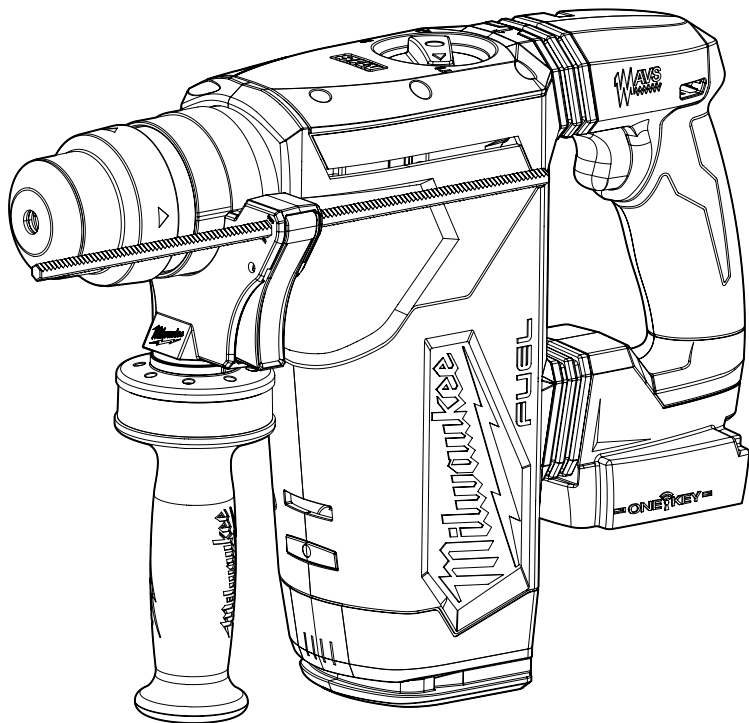




OPERATOR'S MANUAL
MANUEL de L'UTILISATEUR
MANUAL del OPERADOR



Cat. No. / No de cat.


2915-20



**M18 FUEL™ 1-1/8" SDS PLUS ROTARY HAMMER
W/ ONE-KEY™**

**PERCEUSE À PERCUSSION DE 28 mm (1-1/8") SDS PLUS
AVEC ONE-KEY™**

ROTOMARTILLO SDS PLUS DE 28 mm (1-1/8") CON ONE-KEY™

 **WARNING** To reduce the risk of injury, user must read and understand operator's manual.
AVERTISSEMENT Afin de réduire le risque de blessures, l'utilisateur doit lire et bien comprendre le manuel.

 **ADVERTENCIA** Para reducir el riesgo de lesiones, el usuario debe leer y entender el manual.

GENERAL POWER TOOL SAFETY WARNINGS

⚠WARNING Read all safety warnings, instructions, illustrations and specifications provided with this power tool. Failure to follow all instructions listed below may result in electric shock, fire and/or serious injury. **Save all warnings and instructions for future reference.** The term "power tool" in the warnings refers to your mains-operated (corded) power tool or battery-operated (cordless) power tool.

WORK AREA SAFETY

- **Keep work area clean and well lit.** Cluttered or dark areas invite accidents.
- **Do not operate power tools in explosive atmospheres, such as in the presence of flammable liquids, gases or dust.** Power tools create sparks which may ignite the dust or fumes.
- **Keep children and bystanders away while operating a power tool.** Distractions can cause you to lose control.

ELECTRICAL SAFETY

- **Power tool plugs must match the outlet. Never modify the plug in any way. Do not use any adapter plugs with earthed (grounded) power tools.** Unmodified plugs and matching outlets will reduce risk of electric shock.
- **Avoid body contact with earthed or grounded surfaces, such as pipes, radiators, ranges and refrigerators.** There is an increased risk of electric shock if your body is earthed or grounded.
- **Do not expose power tools to rain or wet conditions.** Water entering a power tool will increase the risk of electric shock.
- **Do not abuse the cord. Never use the cord for carrying, pulling or unplugging the power tool. Keep cord away from heat, oil, sharp edges or moving parts.** Damaged or entangled cords increase the risk of electric shock.
- **When operating a power tool outdoors, use an extension cord suitable for outdoor use.** Use of a cord suitable for outdoor use reduces the risk of electric shock.
- **If operating a power tool in a damp location is unavoidable, use a ground fault circuit interrupter (GFCI) protected supply.** Use of an GFCI reduces the risk of electric shock.

PERSONAL SAFETY

- **Stay alert, watch what you are doing and use common sense when operating a power tool. Do not use a power tool while you are tired or under the influence of drugs, alcohol or medication.** A moment of inattention while operating power tools may result in serious personal injury.
- **Use personal protective equipment. Always wear eye protection.** Protective equipment such as a dust mask, non-skid safety shoes, hard hat or hearing protection used for appropriate conditions will reduce personal injuries.
- **Prevent unintentional starting. Ensure the switch is in the off-position before connecting to power source and/or battery pack, picking up or carrying the tool.** Carrying power tools with your finger on the switch or energizing power tools that have the switch on invites accidents.
- **Remove any adjusting key or wrench before turning the power tool on.** A wrench or a key left attached to a rotating part of the power tool may result in personal injury.

- **Do not overreach. Keep proper footing and balance at all times.** This enables better control of the power tool in unexpected situations.
- **Dress properly. Do not wear loose clothing or jewelry. Keep your hair and clothing away from moving parts.** Loose clothes, jewelry or long hair can be caught in moving parts.
- **If devices are provided for the connection of dust extraction and collection facilities, ensure these are connected and properly used.** Use of dust collection can reduce dust-related hazards.
- **Do not let familiarity gained from frequent use of tools allow you to become complacent and ignore tool safety principles.** A careless action can cause severe injury within a fraction of a second.

POWER TOOL USE AND CARE

- **Do not force the power tool. Use the correct power tool for your application.** The correct power tool will do the job better and safer at the rate for which it was designed.
- **Do not use the power tool if the switch does not turn it on and off.** Any power tool that cannot be controlled with the switch is dangerous and must be repaired.
- **Disconnect the plug from the power source and/or remove the battery pack, if detachable, from the power tool before making any adjustments, changing accessories, or storing power tools.** Such preventive safety measures reduce the risk of starting the power tool accidentally.
- **Store idle power tools out of the reach of children and do not allow persons unfamiliar with the power tool or these instructions to operate the power tool.** Power tools are dangerous in the hands of untrained users.
- **Maintain power tools and accessories. Check for misalignment or binding of moving parts, breakage of parts and any other condition that may affect the power tool's operation. If damaged, have the power tool repaired before use.** Many accidents are caused by poorly maintained power tools.
- **Keep cutting tools sharp and clean.** Properly maintained cutting tools with sharp cutting edges are less likely to bind and are easier to control.
- **Use the power tool, accessories and tool bits etc. in accordance with these instructions, taking into account the working conditions and the work to be performed.** Use of the power tool for operations different from those intended could result in a hazardous situation.
- **Keep handles and grasping surfaces dry, clean and free from oil and grease.** Slippery handles and grasping surfaces do not allow for safe handling and control of the tool in unexpected situations.

BATTERY TOOL USE AND CARE

- **Recharge only with the charger specified by the manufacturer.** A charger that is suitable for one type of battery pack may create a risk of fire when used with another battery pack.
- **Use power tools only with specifically designated battery packs.** Use of any other battery packs may create a risk of injury and fire.
- **When battery pack is not in use, keep it away from other metal objects, like paper clips, coins, keys, nails, screws or other small metal objects, that can make a connection from one terminal to another.** Shorting the battery terminals together may cause burns or a fire.

- **Under abusive conditions, liquid may be ejected from the battery; avoid contact. If contact accidentally occurs, flush with water. If liquid contacts eyes, additionally seek medical help.** Liquid ejected from the battery may cause irritation or burns.
- **Do not use a battery pack or tool that is damaged or modified.** Damaged or modified batteries may exhibit unpredictable behavior resulting in fire, explosion or risk of injury.
- **Do not expose a battery pack or tool to fire or excessive temperature.** Exposure to fire or temperature above 265°F (130°C) may cause explosion.
- **Follow all charging instructions and do not charge the battery pack or tool outside the temperature range specified in the instructions.** Charging improperly or at temperatures outside the specified range may damage the battery and increase the risk of fire.

SERVICE

- **Have your power tool serviced by a qualified repair person using only identical replacement parts.** This will ensure that the safety of the power tool is maintained.
- **Never service damaged battery packs.** Service of battery packs should only be performed by the manufacturer or authorized service providers.

SPECIFIC SAFETY RULES FOR ROTARY HAMMER

- **Wear ear protectors.** Exposure to noise can cause hearing loss.
- **Use auxiliary handle(s), if supplied with the tool.** Loss of control can cause personal injury.
- **Hold the power tools by insulated gripping surfaces, when performing an operation where the cutting accessory may contact hidden wiring.** Cutting accessory contacting a "live" wire may make exposed metal parts of the power tool "live" and could give the operator an electric shock.
- **Keep hands away from all cutting edges and moving parts.**
- **Chemical Burn Hazard.** Keep coin cell battery away from children.
- **AWARNING** To reduce the risk of injury, when working in dusty situations, wear appropriate respiratory protection or use an OSHA compliant dust extraction solution.
- **Always use common sense and be cautious when using tools.** It is not possible to anticipate every situation that could result in a dangerous outcome. Do not use this tool if you do not understand these operating instructions or you feel the work is beyond your capability; contact Milwaukee Tool or a trained professional for additional information or training.
- **Cut embedded rebar only if this operation does not affect the integrity of the building. If in doubt, consult a structural engineer. Tool operator fully responsible for adverse structural effects.**
- **Maintain labels and nameplates.** These carry important information. If unreadable or missing, contact a MILWAUKEE service facility for a free replacement.

- **AWARNING** Some dust created by power sanding, sawing, grinding, drilling, and other construction activities contains chemicals known to cause cancer, birth defects or other reproductive harm. Some examples of these chemicals are:
 - lead from lead-based paint
 - crystalline silica from bricks and cement and other masonry products, and
 - arsenic and chromium from chemically-treated lumber.

Your risk from these exposures varies, depending on how often you do this type of work. To reduce your exposure to these chemicals: work in a well ventilated area, and work with approved safety equipment, such as those dust masks that are specially designed to filter out microscopic particles.

SYMBOLLOGY



Volts



Direct Current

n₀ XXXX min⁻¹ No Load Revolutions per Minute (RPM)



Blows per Minute (BPM)

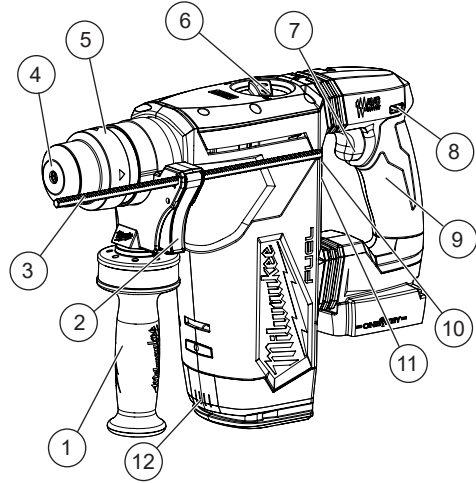


Anti-vibration System



UL Listing for Canada and U.S.

FUNCTIONAL DESCRIPTION



- | | |
|------------------------|-------------------------------|
| 1. Side handle | 8. Control switch |
| 2. Clamping lever | 9. Handle |
| 3. Depth gauge rod | 10. ONE-KEY™ indicator LED |
| 4. SDS Plus bit holder | 11. AUTOSTOP™ indicator LED |
| 5. Release collar | 12. Dust extractor connection |
| 6. Mode selector | |
| 7. Trigger | |

SPECIFICATIONS

Cat. No.	2915-20
Volts	18 DC
Battery Type	M18™
Charger Type	M18™
No Load RPM	0 - 800
BPM	0 - 4600
Module/FCC ID	BGM11S/QOQ11
Type	SDS Plus
Capacities	
Drill Only*	
Steel	1/2"
Wood	1-1/8"
Rotary Hammer (Concrete)	
Carbide Tipped Percussion Bit	1-1/8"
Core Bit	2-1/2"
Recommended Ambient	
Operating Temperature	0°F to 125°F
*Requires chuck adapter kit Cat. No. 48-66-1370	

ASSEMBLY

⚠WARNING Recharge only with the charger specified for the battery. For specific charging instructions, read the operator's manual supplied with your charger and battery.

Removing/Inserting the Battery

To **remove** the battery, push in the release buttons and pull the battery pack away from the tool.

⚠WARNING Always lock the trigger or remove the battery pack any time the tool is not in use.

To **insert** the battery, slide the pack into the body of the tool. Make sure it latches securely into place.

⚠WARNING Only use accessories specifically recommended for this tool. Others may be hazardous.

To reduce the risk of injury, always use a side handle when using this tool. Always brace or hold securely.

Adjusting the Side Handle Position

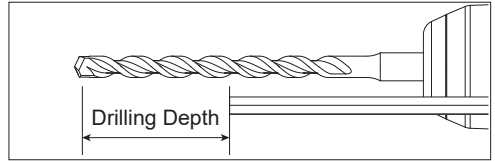
- Loosen the side handle by unscrewing the side handle grip until the side handle rotates freely.
- Rotate the side handle to the desired position.
- Tighten the side handle grip securely.

For use with the Dust Extractor

The Milwaukee Cat. No. 2915-DE Dust Extractor plugs directly into the 1-1/8" SDS PLUS Rotary Hammer. For Dust Extractor assembly and operation, refer to your Dust Extractor manual.

Setting the Depth Gauge

- Press in the clamping lever.
 - Slide the depth gauge rod backward or forward until it is set for the desired depth.
- NOTE:** The drilling depth is the distance between the tip of the bit and the tip of the depth gauge rod.



- Release the clamping lever.

Installing Drill Bits and Chisels

NOTE: Only use accessories with SDS or SDS Plus shanks.

Be sure that the shank of the bit is clean. Dirt particles may cause the bit to line up improperly. Do not use bits larger than the maximum recommended capacity of the drill because gear damage or motor overloading may result. For best performance, be sure that the bit is properly sharpened and the shank is lightly greased before use.

- Insert the bit or chisel into the nose of the tool.
- Rotate bit slowly until it aligns with the locking mechanism.
- Push bit into tool until it locks.
- Check that the bit is locked properly; it should be possible to pull the bit back and forth slightly (about 1/4").
- To remove bits and chisels, pull bit holder release collar toward the rear of tool and remove bit.

WARNING! Do not touch the drill bits or chisels with bare hands immediately after drilling; they may be hot and could burn skin.

ONE-KEY™

To learn more about the ONE-KEY™ functionality for this tool, go to milwaukee tool.com/One-Key. To download the ONE-KEY™ app, visit the App Store or Google Play from your smart device.

ONE-KEY™ Indicator	
Solid Blue	Wireless mode is active and ready to be configured via the ONE-KEY™ app.
Blinking Blue	Tool is actively communicating with the ONE-KEY™ app.
Blinking Red	Tool is in security lockout and can be unlocked by the owner via the ONE-KEY™ app.

OPERATION

WARNING Always remove battery pack before changing or removing accessories. Only use accessories specifically recommended for this tool. Others may be hazardous. To reduce the risk of injury, keep hands away from the bit and all moving parts.





Always wear proper eye protection marked to comply with ANSI Z87.1.

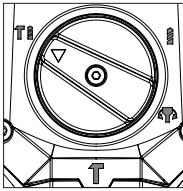
When working in dusty situations, wear appropriate respiratory protection or use an OSHA compliant dust extraction solution.

Always use a side handle when using this tool. Always brace or hold securely.

Selecting Action

MILWAUKEE Rotary Hammers have three settings: rotation only, rotary hammer, and hammer only. Always allow the motor to come to a complete stop before changing the mode selection to avoid damage to the tool.

1. For rotation only, rotate the mode selector so the arrow on the lever points to the twist drill  symbol.
2. For rotary hammering, rotate the mode selector so the arrow points to the hammer and twist drill  symbol.
3. For hammering only, rotate the mode selector so the arrow points to the hammer  symbol.
4. To freely rotate the bit to the desired angle for hammering only, rotate the mode selector to the  symbol. Then, follow step 3.



NOTE: To engage the hammering mechanism, maintain pressure on the bit. When pressure on the bit is released, the hammering action will stop.

Using the Control Switch

The control switch may be set to three positions: forward, reverse and lock. Always allow the motor to come to a complete stop before using the control switch to avoid damage to the tool.

For **forward** (clockwise) rotation, push in the control switch from the right side of the tool. **Check the direction of rotation before use.**

For **reverse** (counterclockwise) rotation, push in the control switch from the left side of the tool. **Check direction of rotation before use.**

To **lock** the trigger, push the control switch to the center position. The trigger will not work while the control switch is in the center locked position. Always lock the trigger or remove the battery pack any time the tool is not in use.

Starting, Stopping and Controlling Speed

For operation when using the Dust Extractor, refer to your Dust Extractor manual.

1. To **start** the tool, grasp the handle(s) firmly and pull the trigger.
NOTE: An LED is turned on when the trigger is pulled and will go off shortly after the trigger is released.
2. To **vary** the speed, increase or decrease the pressure on the trigger. The further the trigger is pulled, the greater the speed.
3. To **stop** the tool, release the trigger. Ensure the tool has come to a complete stop before laying the tool down.

Operating

Position the tool, grasp the handles firmly and pull the trigger. Always hold the tool securely using both handles to maintain control. This tool has been designed to achieve top performance with only moderate pressure. Let the tool do the work.

If the speed begins to drop off when drilling large or deep holes, pull the bit partially out of the hole while the tool is running to help clear dust. Do not use water to settle the dust since it will clog the bit flutes and tend to make the bit bind in the hole. If the bit should bind, a built-in, non-adjustable slip clutch prevents the bit from turning. If this occurs, stop the tool, free the bit and begin again.

The AUTOSTOP™ kickback control feature senses a bind and when the tool turns too much in a bind up situation, the electronics shut the tool off. There is an onboard light that will blink when AUTOSTOP™ activates.

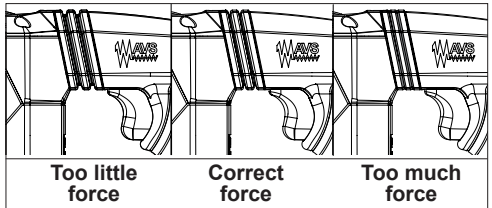
NOTE: Applying greater pressure does not increase the tool's effectiveness. If the applied working pressure is too high, the shock absorber will be pushed together making the vibrations to the handle noticeably stronger.

Operator Force

The Anti-Vibration System provides the operator with comfort without sacrificing power or performance.

Ideal operator force compresses the bellows slightly and allows the tool to work aggressively while the handle remains steady.

Excessive force compresses the bellows significantly and reduces vibration dampening. Users will be able to feel the difference and should adjust the force to the handle accordingly.



APPLICATIONS

⚠WARNING To reduce the risk of electric shock, check work area for hidden pipes and wires before drilling.

Cut embedded rebar only if this operation does not affect the integrity of the building. If in doubt, consult a structural engineer. Tool operator fully responsible for adverse structural effects.

Selecting Bits

When selecting a bit, use the right type for your job. For best performance, always use sharp bits.

Drilling

1. Before drilling, be sure the workpiece is clamped securely. Use backing material to prevent damage to the workpiece during breakthrough.
2. When starting a hole, place the drill bit on the work surface and apply firm pressure. Begin drilling at a slow speed, gradually increasing the speed as you drill.
3. Always apply pressure in line with the bit. Use enough pressure to keep the drill biting, but do not push hard enough to stall the motor.
4. Reduce pressure and ease the bit through the last part of the hole. While the tool is still running, pull the bit out of the hole to prevent jamming.

Drilling in Wood, Composition Materials and Plastic

(Use chuck adapter kit Cat. No. 48-66-1370)

When drilling in wood, composition materials and plastic, start the drill slowly, gradually increasing speed as you drill. When drilling into wood, use wood augers or twist drill bits. Always use sharp bits. When using twist drill bits, pull the bit out of the hole frequently to clear chips from the bit flutes. To reduce the chance of splintering, back work with a piece of scrap wood. Select low speeds for plastics with a low melting point.

MAINTENANCE

⚠WARNING To reduce the risk of injury, always unplug the charger and remove the battery pack from the charger or tool before performing any maintenance. Never disassemble the tool, battery pack or charger. Contact a MILWAUKEE service facility for ALL repairs.

Maintaining Tool

Keep your tool, battery pack and charger in good repair by adopting a regular maintenance program. Inspect your tool for issues such as undue noise, misalignment or binding of moving parts, breakage of parts, or any other condition that may affect the tool operation. Return the tool, battery pack, and charger to a MILWAUKEE service facility for repair. After six months to one year, depending on use, return the tool, battery pack and charger to a MILWAUKEE service facility for inspection.

If the tool does not start or operate at full power with a fully charged battery pack, clean the contacts on the battery pack. If the tool still does not work properly, return the tool, charger and battery pack, to a MILWAUKEE service facility for repairs.

ONE-KEY™

⚠WARNING Chemical Burn Hazard. This device contains a lithium button/coin cell battery. A new or used battery can cause severe internal burns and lead to death in as little as 2 hours if swallowed or enters the body. Always secure the battery cover. If it does not close securely, stop using the device, remove the batteries, and keep it away from children. If you think batteries may have been swallowed or entered the body, seek immediate medical attention.



Internal Battery

An internal battery is used to facilitate full ONE-KEY™ functionality.

To replace the battery:

1. Remove the battery pack.
2. Remove the screw(s) and open the battery door.
3. Remove the old battery, keep it away from children, and dispose of it properly.
4. Insert the new battery (3V CR2032), with the positive side facing up.
5. Close the battery door and tighten the screw(s) securely.

WARNING To reduce the risk of personal injury and damage, never immerse your tool, battery pack or charger in liquid or allow a liquid to flow inside them.

Cleaning

Clean dust and debris from any vents. Keep tool clean, dry and free of oil or grease. Use only mild soap and a damp cloth to clean, since certain cleaning agents and solvents are harmful to plastics and other insulated parts. Some of these include gasoline, turpentine, lacquer thinner, paint thinner, chlorinated cleaning solvents, ammonia and household detergents containing ammonia. Never use flammable or combustible solvents around tools.

Repairs

For repairs, return the tool, battery pack and charger to the nearest authorized service center.

ACCESSORIES

WARNING Use only recommended accessories. Others may be hazardous.

For a complete listing of accessories, go online to www.milwaukeetool.com or contact a distributor.

WIRELESS COMMUNICATION

For products provided with wireless communication features, including ONE-KEY™:

Pursuant to part 15.21 of the FCC Rules, do not modify this product. Modification could void your authority to operate the product. This device complies with part 15 of the FCC Rules and ISCED-Canada's license exempt RSS standards. Operation is subject to the following two conditions: 1) This device may not cause harmful interference, and 2) This device must accept any interference received, including interference that may cause undesired operation.

SERVICE - UNITED STATES

1-800-SAWDUST (1.800.729.3878)

Monday-Friday, 7:00 AM - 6:30 PM CST
or visit www.milwaukeetool.com

Contact Corporate After Sales Service Technical Support with technical, service/repair, or warranty questions.

Email: metproductsupport@milwaukeetool.com

Become a Heavy Duty Club Member at www.milwaukeetool.com to receive important notifications regarding your tool purchases.

SERVICE - CANADA

Milwaukee Tool (Canada) Ltd
1.800.268.4015

Monday-Friday, 7:00 AM - 4:30 PM CST
or visit www.milwaukeetool.ca

LIMITED WARRANTY USA & CANADA

Every MILWAUKEE power tool* (see exceptions below) is warranted to the original purchaser only to be free from defects in material and workmanship. Subject to certain exceptions, MILWAUKEE will repair or replace any part on an electric power tool which, after examination, is determined by MILWAUKEE to be defective in material or workmanship for a period of five (5) years** after the date of purchase unless otherwise noted. Return of the power tool to a MILWAUKEE factory Service Center location or MILWAUKEE Authorized Service Station, freight prepaid and insured, is required. A copy of the proof of purchase should be included with the return product. This warranty does not apply to damage that MILWAUKEE determines to be from repairs made or attempted by anyone other than MILWAUKEE authorized personnel, misuse, alterations, abuse, normal wear and tear, lack of maintenance, or accidents.

Normal Wear: Many power tools need periodic parts replacement and service to achieve best performance. This warranty does not cover repair when normal use has exhausted the life of a part including, but not limited to, chucks, brushes, cords, saw shoes, blade clamps, o-rings, seals, bumpers, driver blades, pistons, strikers, lifters, and bumper cover washers.

*This warranty does not cover Air Nailers & Staplers; Airless Paint Sprayer; Cordless Battery Packs; Gasoline Driven Portable Power Generators; Hand Tools; Hoist - Electric, Lever & Hand Chain; M12™ Heated Gear; Reconditioned Product; and Test & Measurement Products. There are separate and distinct warranties available for these products.

**The warranty period for Job Site Radios, M12™ Power Port, M18™ Power Source, Jobsite Fan and Trade Titan™ Industrial Work Carts is one (1) year from the date of purchase. The warranty period for the M18 FUEL™ 1" D-Handle High Torque Impact Wrenches, Drain Cleaning Cables, AIRSNAKE™ Drain Cleaning Air Gun Accessories, and REDLITHIUM™ USB Laser Levels is two (2) years from the date of purchase. The warranty period for the M18™ Compact Heat Gun, 8 Gallon Dust Extractor, M18™ Framing Nailers, M18 FUEL™ 1/2" Ext. Anvil Controlled Torque Impact Wrench w/ ONE-KEY™, M18 FUEL™ 1" High Torque Impact Wrench w/ ONE-KEY™, M18 FUEL™ 2 Gal. Compact Quiet Compressor, M12™ Laser Levels, 165' Laser Detector, M12™ 23GA Pin Nailer, and M18 FUEL™ 1/4" Blind River Tool w/ ONE-KEY™, M12 FUEL™ Low Speed Tire Buffer, and the M18 FUEL™ Dual Action Random Orbital Polishers is three (3) years from the date of purchase. The warranty period for the LED in the LED Work Light and the LED Upgrade Bulb for the Work Light is the lifetime of the product subject to the limitations above. If during normal use the LED or LED Bulb fails, the part will be replaced free of charge.

Warranty Registration is not necessary to obtain the applicable warranty on a MILWAUKEE power tool product. The manufacturing date of the product will be used to determine the warranty period if no proof of purchase is provided at the time warranty service is requested.

ACCEPTANCE OF THE EXCLUSIVE REPAIR AND REPLACEMENT REMEDIES DESCRIBED HEREIN IS A CONDITION OF THE CONTRACT FOR THE PURCHASE OF EVERY MILWAUKEE PRODUCT. IF YOU DO NOT AGREE TO THIS CONDITION, YOU SHOULD NOT PURCHASE THE PRODUCT. IN NO EVENT SHALL MILWAUKEE BE LIABLE FOR ANY INCIDENTAL, SPECIAL, CONSEQUENTIAL OR PUNITIVE DAMAGES, OR FOR ANY COSTS, ATTORNEY FEES, EXPENSES, LOSSES OR DELAYS ALLEGED TO BE AS A CONSEQUENCE OF ANY DAMAGE TO, FAILURE OF, OR DEFECT IN ANY PRODUCT INCLUDING, BUT NOT LIMITED TO, ANY CLAIMS FOR LOSS OF PROFITS. SOME STATES DO NOT ALLOW THE EXCLUSION OR LIMITATION OF INCIDENTAL OR CONSEQUENTIAL DAMAGES, SO THE ABOVE LIMITATION OR EXCLUSION MAY NOT APPLY TO YOU. THIS WARRANTY IS EXCLUSIVE AND IN LIEU OF ALL OTHER EXPRESS WARRANTIES, WRITTEN OR ORAL, TO THE EXTENT PERMITTED BY LAW, MILWAUKEE DISCLAIMS ANY IMPLIED WARRANTIES, INCLUDING WITHOUT LIMITATION ANY IMPLIED WARRANTY OF MERCHANTABILITY OR FITNESS FOR A PARTICULAR USE OR PURPOSE; TO THE EXTENT SUCH DISCLAIMER IS NOT PERMITTED BY LAW, SUCH IMPLIED WARRANTIES ARE LIMITED TO THE DURATION OF THE APPLICABLE EXPRESS WARRANTY AS DESCRIBED ABOVE. SOME STATES DO NOT ALLOW LIMITATIONS ON HOW LONG AN IMPLIED WARRANTY LASTS, SO THE ABOVE LIMITATION MAY NOT APPLY TO YOU, THIS WARRANTY GIVES YOU SPECIFIC LEGAL RIGHTS, AND YOU MAY ALSO HAVE OTHER RIGHTS WHICH VARY FROM STATE TO STATE.

This warranty applies to product sold in the U.S.A. and Canada only. Please consult the 'Service Center Search' in the Parts & Service section of MILWAUKEE's website www.milwaukeetool.com or call 1.800.SAWDUST (1.800.729.3878) to locate your nearest service facility for warranty and non-warranty service on a Milwaukee electric power tool.

RÈGLES DE SÉCURITÉ GÉNÉRALES RELATIVES AUX OUTILS ÉLECTRIQUES

⚠ AVERTISSEMENT Lire toutes les consignes de sécurité, consignes, illustrations et spécifications fournies avec cet outil électrique. Ne pas suivre l'ensemble des règles et instructions peut entraîner une électrocution, un incendie ou des blessures graves. **Conserver les règles et les instructions à des fins de référence ultérieure.** Le terme «outil électrique» figurant dans les avertissements ci-dessous renvoie à l'outil électrique à alimentation par le réseau (à cordon) ou par batterie (sans fil).

SÉCURITÉ DU LIEU DE TRAVAIL

- **Veillez à ce que l'aire de travail soit propre et bien éclairée.** Le désordre et le manque de lumière favorisent les accidents.
- **Ne pas utiliser d'outils électriques dans des atmosphères explosives, par exemple en présence de liquides, gaz ou poussières inflammables.** Les outils électriques produisent des étincelles risquant d'enflammer les poussières ou vapeurs.
- **S'assurer que les enfants et les curieux se trouvent à une bonne distance au moment d'utiliser un outil électrique.** Les distractions peuvent causer une perte de contrôle.

SÉCURITÉ ÉLECTRIQUE

- **Les fiches des outils électriques doivent correspondre à la prise secteur utilisée. Ne jamais modifier la fiche, de quelque façon que ce soit. Ne jamais utiliser d'adaptateurs de fiche avec des outils mis à la terre.** Les fiches et prises non modifiées réduisent le risque de choc électrique.
- **Éviter tout contact avec des surfaces mises à la terre comme des tuyaux, des radiateurs, des cuisinières et des réfrigérateurs.** Le risque de choc électrique est accru lorsque le corps est mis à la terre.
- **Ne pas exposer les outils électriques à l'eau ou l'humidité.** La pénétration d'eau dans ces outils accroît le risque de choc électrique.
- **Ne pas maltraiter le cordon d'alimentation. Ne jamais utiliser le cordon d'alimentation pour transporter l'outil électrique et ne jamais débrancher ce dernier en tirant sur le cordon. Garder le cordon à l'écart de la chaleur, de l'huile, des objets tranchants et des pièces en mouvement.** Un cordon endommagé ou emmêlé accroît le risque de choc électrique.
- **Pour les travaux à l'extérieur, utiliser un cordon spécialement conçu à cet effet.** Utiliser un cordon conçu pour l'usage extérieur réduit les risques de choc électrique.
- **Si l'utilisation d'un outil électrique est inévitable dans un endroit humide, utiliser une source d'alimentation munie d'un disjoncteur de fuite de terre.** L'utilisation d'un disjoncteur de fuite de terre réduit le risque de choc électrique.

SÉCURITÉ INDIVIDUELLE

- **Rester attentif, prêter attention au travail et faire preuve de bon sens lors de l'utilisation de tout outil électrique. Ne pas utiliser cet appareil en cas de fatigue ou sous l'influence de l'alcool, de drogues ou de médicaments.** Un moment d'inattention pendant l'utilisation d'un outil électrique peut entraîner des blessures graves.

- **Porter l'équipement de protection individuel requis. Toujours porter une protection oculaire.** Selon les conditions, porter aussi un masque anti-poussières, des bottes de sécurité antidérapantes, un casque protecteur ou une protection auditive afin de réduire les blessures.
- **Empêcher les démarrages accidentels. S'assurer que la gâchette est en position d'arrêt avant de brancher l'outil à une source de courant, d'insérer la batterie, de le ramasser ou de le transporter.** Le fait de transporter un outil électrique en gardant le doigt sur la gâchette ou de mettre sous tension un outil électrique lorsque la gâchette est en position de marche favorise les accidents.
- **Retirer les clés de réglage avant de mettre l'outil en marche.** Une clé laissée sur une pièce rotative de l'outil peut causer des blessures.
- **Ne pas travailler hors de portée. Toujours se tenir bien campé et en équilibre.** Une bonne stabilité procure un meilleur contrôle de l'outil électrique en cas d'imprévu.
- **Porter une tenue appropriée. Ne porter ni vêtements amples, ni bijoux. Garder les cheveux et les vêtements à l'écart des pièces en mouvement.** Les vêtements flottants, les bijoux ou les cheveux longs risquent d'être happés par les pièces en mouvement.
- **Si les outils sont équipés de dispositifs de dé poussiérage, s'assurer qu'ils sont connectés et correctement utilisés.** L'utilisation d'un collecteur de poussière permet de réduire les dangers liés à la poussière.
- **Ne pas laisser la familiarité avec l'outil acquise par une utilisation fréquente vous rendre suffisant et vous amener à ignorer les règles de sécurité.** Une utilisation négligée peut causer une blessure grave en une fraction de seconde.

UTILISATION ET ENTRETIEN DE L'OUTIL ÉLECTRIQUE

- **Ne pas forcer l'outil électrique. Utiliser l'outil électrique approprié pour l'application.** Un outil électrique approprié exécutera le travail mieux et de façon moins dangereuse s'il est utilisé dans les limites prévues.
- **Ne pas utiliser l'outil électrique si le commutateur ne permet pas de le mettre en marche ou de l'arrêter.** Tout outil électrique qui ne peut pas être contrôlé par son commutateur est dangereux et doit être réparé.
- **Débrancher l'outil et/ou retirer le bloc-piles, si possible, avant d'effectuer des réglages, de changer d'accessoire ou de remiser l'outil.** Ces mesures de sécurité préventives réduisent les risques de démarrage accidentel de l'outil.
- **Entreposer l'outil électrique hors de la portée des enfants et interdire à quiconque de l'utiliser si la personne ne connaît pas bien le produit ou les instructions.** Les outils électriques sont dangereux dans les mains d'utilisateurs novices.
- **Entretien des outils électriques et les accessoires. Vérifier qu'aucune pièce mobile n'est mal alignée ou bloquée, qu'aucune pièce n'est brisée et s'assurer qu'aucun autre problème risque d'affecter le bon fonctionnement de l'outil. En cas de dommages, faire réparer l'outil avant de l'utiliser.** Plusieurs accidents sont causés par des produits mal entretenus.

RÈGLES DE SÉCURITÉ SPÉCIFIQUES POUR PERCEUSES À PERCUSSION

- **Garder les outils bien affûtés et propres.** Des outils correctement entretenus et dont les tranchants sont bien affûtés risquent moins de se bloquer et sont plus faciles à contrôler.
- **Utiliser l'outil électrique, les accessoires, les embouts etc. conformément à ces instructions en tenant compte des conditions de travail et de la tâche à effectuer.** L'usage d'un outil électrique pour des applications pour lesquelles il n'est pas conçu peut être dangereux.
- **Garder les poignées et les surfaces de préhension sèches, propres et exemptes d'huile ou de graisse.** Des poignées et des surfaces de préhension glissantes ne permettent pas de manipuler et de contrôler l'outil en toute sécurité en cas de situation imprévue.

UTILISATION ET ENTRETIEN DE LA BATTERIE

- **Pour recharger le bloc-piles, utiliser seulement le chargeur spécifié par le fabricant.** Un chargeur pouvant convenir à un type de bloc-piles peut entraîner un risque d'incendie lorsqu'il est utilisé avec un autre type de bloc-piles.
- **N'utiliser l'outil électrique qu'avec une batterie recommandée.** L'utilisation de tout autre bloc-piles peut créer un risque de blessures et d'incendie.
- **Lorsque le bloc-piles n'est pas utilisé, le tenir éloigné des objets en métal tels que les trombones, les pièces de monnaie, les clés, les clous, les vis ou d'autres petits objets métalliques qui pourraient connecter les bornes.** Le court-circuitage des bornes d'une pile peut entraîner des brûlures ou un incendie.
- **Éviter tout contact avec le liquide pouvant être éjecté de la pile en cas de manutention abusive. En cas de contact accidentel, rincer immédiatement les parties atteintes avec de l'eau. Si le liquide entre en contact avec les yeux, consulter un médecin.** Le liquide éjecté des piles peut causer des irritations ou des brûlures.
- **N'utiliser aucun bloc-piles ni aucun outil ayant été endommagé ou modifié.** Des piles endommagées ou modifiées peuvent adopter un comportement imprévisible pouvant causer un incendie, une explosion ou le risque de blessures.
- **Ne pas exposer le bloc-piles ou l'outil aux flammes ou à une température excessive.** Une exposition aux flammes ou à une température supérieure à 130°C (265°F) peut causer une explosion.
- **Suivre toutes les instructions de charge et ne pas charger le bloc-piles ou l'outil en dehors de la plage de température spécifiée.** Une charge incorrecte ou à des températures en dehors de la plage spécifiée peut endommager la pile et augmenter le risque d'incendie.

ENTRETIEN

- **Les réparations de l'outil électrique doivent être confiées à un technicien qualifié, utilisant exclusivement des pièces identiques à celles d'origine.** Le maintien de la sûreté de l'outil électrique sera ainsi assuré.
- **Ne jamais effectuer la réparation d'un bloc-piles endommagé.** La réparation du bloc-piles doit être réalisée par le fabricant ou les fournisseurs de service agréés uniquement.

- **Porter des protecteurs d'oreille.** L'exposition au bruit peut entraîner une perte auditive.
- **Utiliser les poignée(s) auxiliaire(s) si elles sont fournie(s) avec l'outil.** La perte de contrôle peut causer des blessures.
- **Tenir l'outil par les surfaces de prise isolées si, au cours de travaux, l'outil de coupe risque d'entrer en contact avec des fil cachés.** Le contact avec un fil sous tension, ce qui infligera un choc électrique à l'opérateur.
- **Garder les mains à l'écart des rebords tranchants et des pièces en mouvement.**
- **Risque de brûlure chimique.** Gardez la batterie des cellules de hors de la portée des enfants.

- **AVERTISSEMENT** Afin de minimiser le risque de blessures, lorsque de travaux sont faits dans de situations poussiéreuses, porter une protection respiratoire ou bien, utiliser une solution d'extraction de poussière conforme aux normes OSHA.
- **Toujours faire preuve de bon sens et procéder avec prudence lors de l'utilisation d'outils.** C'est impossible de prévoir toutes les situations dont le résultat est dangereux. Ne pas utiliser cet outil si vous ne comprenez pas ces instructions d'opération ou si vous pensez que le travail dépasse votre capacité ; veuillez contacter Milwaukee Tool ou un professionnel formé pour recevoir plus d'information ou formation.
- **Couper les barres d'armature intégrées uniquement si l'opération ne porte pas atteinte à l'intégrité du bâtiment.** En cas de doute, contacter un ingénieur en structures. L'utilisateur de l'outil assume la pleine responsabilité pour les effets structurels nuisibles.
- **Maintenir en l'état les étiquettes et les plaques d'identification.** Des informations importantes y figurent. Si elles sont illisibles ou manquantes, contacter un centre de services et d'entretien MILWAUKEE pour un remplacement gratuit.

- **AVERTISSEMENT** Certaines poussières générées par les activités de ponçage, de coupe, de rectification, de perçage et d'autres activités de construction contiennent des substances considérées être la cause de malformations congénitales et de troubles de l'appareil reproducteur. Parmi ces substances figurent :
 - le plomb contenu dans les peintures à base de plomb ;
 - la silice cristalline des briques, du ciment et d'autres matériaux de maçonnerie, ainsi que
 - l'arsenic et le chrome des sciages traités chimiquement.Les risques encourus par l'opérateur envers ces expositions varient en fonction de la fréquence de ce type de travail. Pour réduire l'exposition à ces substances chimiques, l'opérateur doit : travailler dans une zone bien ventilée et porter l'équipement de sécurité approprié, tel qu'un masque anti-poussière spécialement conçu pour filtrer les particules microscopiques.

PICTOGRAPHIE



Volts



Courant direct

n₀ XXXX min⁻¹ Tours-minute à vide (RPM)



T-min. Charge/vide (BPM)

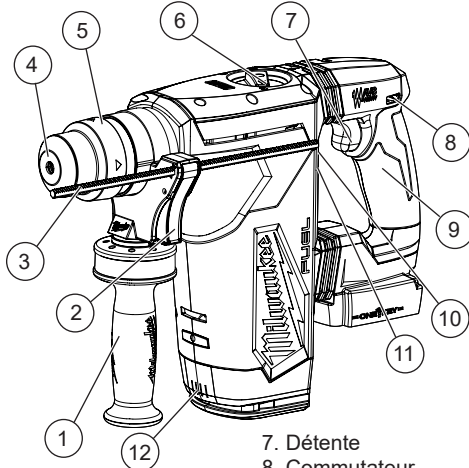


Système anti-vibrations



UL Listing Mark pour
Canada et États-unis

DESCRIPTION FONCTIONNELLE



- | | |
|--|---|
| 1. Poignée latérale | 7. Détente |
| 2. Vis de fixation | 8. Commutateur |
| 3. Jauge de profondeur | 9. Poignée |
| 4. Porte-embout SDS Plus | 10. Indicateur DEL ONE-KEY™ (No de Cat. 2914-20 uniquement) |
| 5. Levier de dégagement du porte-forêt | 11. Indicateur DEL AUTOSTOP™ |
| 6. Levier sélecteur de mode | 12. Raccordement pour dépoussiéreur |

SPÉCIFICATIONS

No de Cat.....	2915-20
Volts.....	18 CD
Type de batterie.....	M18™
Type de chargeur.....	M18™
Tr/min. à vide.....	0 - 800
Coups/Min. à Vide.....	0 - 4 600
Module/ID de FCC.....	BGM11S/QOQ11
Porte-embout.....	SDS Plus
Capacités	
Rotation seul.*	
Acier.....	13 mm (1/2")
Bois.....	28 mm (1-1/8")
Marteau rotatif (béton)	
Forets-percussion carburés.....	28 mm (1-1/8")
Trépan carotier.....	64 mm (2-1/2")
Température ambiante de fonctionnement recommandée.....	
	-18°C à 50°C (0°F à 125°F)
*Un ensemble d'adaptateur pour mandrin (No de cat. 48-66-1370) est nécessaire	

MONTAGE DE L'OUTIL

⚠ AVERTISSEMENT Ne recharger la batterie qu'avec le chargeur spécifié. Pour les instructions de charge spécifiques, lire le manuel d'utilisation fourni avec le chargeur et les batteries.

Insertion/Retrait de la batterie

Pour **retirer** la batterie, enfoncez les boutons de déverrouillage et la tirer hors de l'outil.

⚠ AVERTISSEMENT Toujours verrouiller la batterie les fois que l'outil est inutilisé.

Pour **insérer** la batterie, la glisser dans le corps de l'outil. S'assurer qu'elle est fixée solidement.

⚠ AVERTISSEMENT L'emploi d'accessoires autres que ceux qui sont expressément recommandés pour cet outil peut comporter des risques.

Pour **minimiser les risques de blessures corporelles**, utilisez toujours la poignée latérale lorsque vous maniez l'outil. Étapez-la ou maintenez-la solidement.

Attache de poignée latérale

1. Desserrez la poignée latérale en dévissant son attache jusqu'à ce que la poignée pivote librement.
2. Faites tourner la poignée latérale à la position désirée.
3. Serrez fermement l'attache de la poignée latérale.

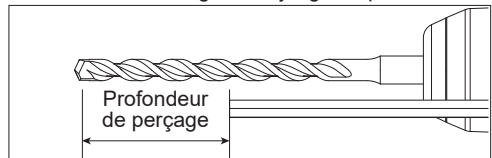
Pour utilisation avec le dépoussiéreur

Le dépoussiéreur (No de cat. 2915-DE) de Milwaukee se branche directement dans les perceuses à percussion SDS PLUS de 28 mm (1-1/8"). Pour le montage et le fonctionnement du dépoussiéreur, référez-vous à votre manuel de l'outil. Pour le montage et le fonctionnement du dépoussiéreur, référez-vous à votre manuel de l'outil.

Réglage de la jauge de profondeur

1. Appuyez sur le levier de serrage.
2. Faites glisser vers l'arrière ou vers l'avant la tige de la jauge de profondeur jusqu'à ce qu'elle soit réglée à la profondeur désirée.

REMARQUE : La profondeur de perçage correspond à la distance entre l'extrémité du foret et l'extrémité de la tige de la jauge de profondeur.



3. Dégagez le levier de serrage.

Insertion des forets et ciseaux

REMARQUE : N'utiliser que des outils pourvus d'une tige SDS ou SDS Plus.

Assurez-vous que la tige du foret et les mâchoires du mandrin sont propres pour éviter que des saletés ne nuisent au parfait alignement du foret. Pour éviter d'endommager les engrenages et de provoquer la surchauffe du moteur, n'employez pas de forets d'un calibre supérieur aux dimensions maximales recommandées pour cet outil. Pour obtenir un redement maximal, assurez-vous que le foret est correctement aiguisé et que sa queue est légèrement graissée avant qu'il soit utilisé.

1. Introduisez le foret ou le ciseau dans la bec de l'outil.
2. Tournez la pièce lentement jusqu'à ce qu'elle s'aligne sur le mécanisme d'enclenchement.
3. Poussez la pièce dans l'outil pour qu'elle s'enclenche.
4. Vérifiez que le foret correctement verrouillé; il doit pouvoir être déplacé légèrement (environ 6 mm (1/4")).
5. Pour retirer le foret ou le ciseau, tirez le collier de dégagement du porte-foret, du foret lui-même, en le déplaçant vers l'arrière de l'outil et enlevez la pièce.

AVERTISSEMENT! Ne pas toucher ni les forets ni les burins avec les mains nues immédiatement après avoir effectué une opération de perçage, car ils seront chauds et pourront vous brûler.

ONE-KEY™

Pour en apprendre plus long sur la fonctionnalité ONE-KEY™ de cet outil, visitez le milwaukeeetool.com/One-Key. Pour télécharger l'application ONE-KEY™, visitez l'App Store d'Apple ou Google Play à l'aide de votre appareil intelligent.

Indicateur ONE-KEY™	
Bleu uni	Le mode sans fil est engagé et prêt pour le configurer à l'aide de l'appli ONE-KEY™.
Bleu clignotant	L'outil établit une communication active avec l'appli ONE-KEY™.
Rouge clignotant	L'outil a un blocage sécuritaire et ne pourra être débloqué que par le propriétaire à l'aide de l'appli ONE-KEY™.

MANIEMENT

AVERTISSEMENT Il faut toujours retirer la batterie et verrouiller la détente de l'outil avant de changer ou d'enlever les accessoires. L'emploi d'accessoires autres que ceux qui sont expressément recommandés pour cet outil peut comporter des risques.

Pour réduire le risque de blessures, garder les mains à l'écart de la forets et des autres pièces en mouvement.

Toujours porter la protection oculaire appropriée certifiée conforme à la norme ANSI Z87.1.

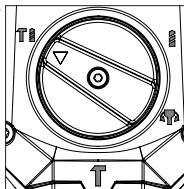
Lorsque de travaux sont faits dans des situations poussiéreuses, porter une protection respiratoire ou bien, utiliser une solution d'extraction de poussière conforme aux normes OSHA.

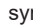
Utilisez toujours la poignée latérale lorsque vous maniez l'outil. Étayez-la ou maintenez-la solidement.

Choix du mode de forage

Les marteaux rotatifs de MILWAUKEE comportent trois réglages : perceuse seulement, marteau rotatif et marteau seulement. Toujours laisser le moteur s'arrêter complètement avant d'utiliser le levier sélecteur.

1. Pour le perçage, tournez le levier sélecteur pour que la flèche sur le levier pointe vers le symbole de foret hélicoïdal .
2. Pour une percussion rotative, tournez le levier sélecteur pour que la flèche pointe vers le symbole de marteau et de foret hélicoïdal .
3. Pour une percussion seulement, tournez le levier sélecteur pour que la flèche pointe vers le symbole de marteau .



4. Pour faire tourner librement l'embout à l'angle désiré pour la percussion seulement, tournez le levier sélecteur pour que la flèche pointe vers le symbole . Suivez ensuite l'étape 3.

REMARQUE : Pour engager le mécanisme de percussion, maintenez la pression sur le foret. Lorsque la pression sur le foret est relâchée, la percussion s'arrête.

Utilisation du commutateur

Le commutateur peut être réglé sur trois positions: marche avant, marche arrière et verrouillée. Toujours laisser le moteur s'arrêter complètement avant d'utiliser le commutateur.

Pour une rotation **en marche avant** (dans le sens horaire), pousser le commutateur sur le côté droit de l'outil. **Vérifier la direction de rotation avant utilisation.**

Pour une rotation **en marche arrière** (dans le sens anti-horaire), pousser le commutateur du côté gauche de l'outil. **Vérifier la direction de rotation avant utilisation.**

Pour **verrouiller** la détente, pousser le commutateur vers la position centrale. La détente ne fonctionne pas tant que le commutateur est sur la position verrouillée centrale. Toujours verrouiller la détente ou retirer la batterie les fois que l'outil est inutilisé.

Marche, arrêt et contrôle de la vitesse

Pour le fonctionnement du dépoussieur, référez-vous à votre manuel de l'outil.

1. Pour mettre l'outil **en marche**, saisir fermement la poignée(s) et tirer sur la détente.

REMARQUE : Un voyant à DEL s'allumera lorsqu'on appuie sur la gâchette et s'éteindra un peu de temps après qu'elle ait été relâchée.

2. Pour faire **varier** la vitesse, augmenter ou réduire la pression sur la détente. La vitesse augmente en fonction de la pression exercée sur la détente.
3. Pour **arrêter** l'outil, relâcher la gâchette. S'assurer que l'outil parvienne à s'arrêter complètement avant de le déposer.

Maniement

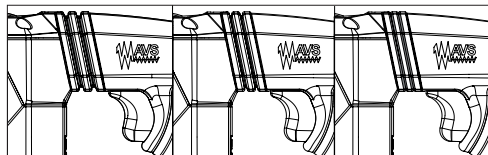
Placez l'outil et empoignez-le solidement puis appuyez sur la détente. N'exercez que la pression nécessaire à maintenir l'outil en place et empêcher la pointe du foret de "patiner" sur la surface. Cet outil a été conçu de façon à fournir le meilleur rendement à pression modérée.

Si, au cours du perçage d'un trou profond, la vitesse de rotation commence à diminuer, retirez partiellement le foret pendant qu'il tourne pour que les débris de forage soient éjectés. N'utilisez pas d'eau pour abattre la poussière pour éviter de bloquer les cannelures du foret et d'en occasionner le grippage. S'il arrive que le foret reste coincé, le dispositif à couple élevé d'accouplement à glissement non réglable intégré au mécanisme de l'outil arrêtera automatiquement la rotation du foret. En tel cas, relâchez la détente, dégagez le foret et recommencez à percer. La fonction de contrôle de rebond AUTOSTOP™ aperçoit un coincement et, au moment où l'outil tourne trop, les pièces électroniques s'éteindront. L'outil est muni d'une lampe intégrée qui clignotera lorsque la fonction AUTOSTOP™ est activée.

REMARQUE : Une plus forte pression n'améliore pas l'endement de l'outil. Si une trop forte pression est exercée, le dispositif antivibration du marteau rotatif sera faussé et la vibration de la poignée deviendra plus sensible.

Pression sur l'outil

Ce marteau rotatif est pourvu d'un système antivibration pour assurer le confort de l'utilisateur sans diminuer la performance de l'outil. La pression idéale exercée par l'utilisateur comprime légèrement les soufflets et laisse l'outil travailler efficacement tandis que la poignée demeure stable. Une trop grande pression comprime fortement les soufflets, neutralisant leur effet antivibration. Si tel est le cas, l'utilisateur pourra s'en rendre compte et corriger la pression sur l'outil.



Trop peu
de force

Correct

Trop de
force

APPLICATIONS

AVERTISSEMENT Pour minimiser les risques d'explosion, choc électrique et dommages à la propriété, inspectez toujours l'aire de travail pour y déceler les fils électriques ou les tuyaux avant d'entreprendre le forage.

Couper les barres d'armature intégrées uniquement si l'opération ne porte pas atteinte à l'intégrité du bâtiment. En cas de doute, contacter un ingénieur en structures. L'utilisateur de l'outil assume la pleine responsabilité pour les effets structuraux nuisibles.

Choix des mèches

Lorsque vous choisissez une mèche, employez la mèche appropriée pour le travail à exécuter. Pour un meilleur forage, n'employez que des mèches bien affûtées.

Perçage

1. Avant de driller, assurez-vous que le matériau est fixé solidement. Appuyez-le sur une pièce rigide pour éviter de l'endommager en passant au travers.
2. Pour commencer à percer un trou, placez le foret sur la surface à travailler et appuyez fermement sur l'outil. Commencez à driller lentement pour ensuite augmenter la vitesse de perçage.
3. Appliquez toujours la pression en droite ligne avec le foret. Appuyez assez fermement pour qu'il morde dans la pièce sans toutefois causer l'arrêt du moteur.
4. Réduisez la pression et relâchez la rotation en arrivant à la phase finale du perçage. Pour éviter le blocage, retirez le foret du trou tandis que l'outil tourne encore.

Perçage dans le bois, les agglomérés et le plastique

(avec No de cat. 48-66-1370)

Lorsque vous percez dans le bois, les agglomérés et le plastique, commencez à driller lentement pour augmenter graduellement la vitesse. Lorsque vous drillez dans le bois, servez-vous d'une mèche à bois ou d'un foret hélicoïdal. N'employez que des pièces bien aiguisées. Si vous employez une mèche hélicoïdale, sortez fréquemment la mèche du trou pour en débarrasser les cannelures des rognures.

Pour minimiser les risques d'écaillage, appuyez le matériau sur un morceau de bois de rebut. Drillez à basse vitesse dans les plastiques dont le point de fusion est peu élevé.

ENTRETIEN

AVERTISSEMENT Pour minimiser les risques de blessures corporelles, débranchez le chargeur et retirez la batterie du chargeur ou de l'outil avant d'y effectuer des travaux d'entretien. Ne démontez jamais l'outil, la batterie ou le chargeur. Pour toute réparation, consultez un centre de service MILWAUKEE accrédité.

Entretien de l'outil

Gardez l'outil en bon état en adoptant un programme d'entretien ponctuel. Inspectez votre outil pour des questions telles que le bruit excessif, de grippage des pièces mobiles, de pièces cassées ou toute autre condition qui peut affecter le fonctionnement de l'outil. Retournez votre outil à un centre de service MILWAUKEE accrédité pour obtenir le service. Après une période pouvant aller de 6 mois à un an, selon l'usage, retournez votre outil à un centre de service MILWAUKEE accrédité pour d'inspection.

Si l'outil ne démarre pas ou ne fonctionne pas à pleine puissance alors qu'il est branché sur une batterie complètement chargée, nettoyez les points de contact entre la batterie et l'outil. Si l'outil ne fonctionne toujours pas correctement, renvoyez l'outil, le chargeur et la batterie à un centre de service MILWAUKEE accrédité.

ONE-KEY™

AVERTISSEMENT Risque de brûlure chimique. Ce dis-positif contient une pile bouton au lithium. Une pile neuve ou usée peut causer des brûlures internes graves entraînant la mort en seulement 2 heures si avalée ou entrée dans le corps. Toujours fixer le couvercle du compartiment des piles. Si le couvercle ne se ferme pas bien, arrêter d'utiliser le dispositif, retirer les piles et les garder hors de la portée des enfants. Si vous soupçonnez que les piles ont été avalées ou entrées dans le corps, consultez immédiatement un médecin.



Une pile interne

Pile interne

Une pile interne est utilisée pour faciliter la fonctionnalité complète ONE-KEY™.

Si la LED de l'indicateur de mode s'éteint et que l'outil ne peut pas ajuster la vitesse, ou si la communication Bluetooth cesse de fonctionner, retirez et réinsérez la batterie de la pile à pièces pour la réinitialiser. Remplacez la batterie si le problème persiste.

Pour remplacer la pile :

1. Retirer le bloc-piles.
2. Retirer le vis et ouvrir la porte du compartiment de la pile.
3. Retirer le panneau de la pile et enlever la pile usagée. Tenez hors de la portée des enfants et éliminez-la adéquatement.
4. Insérer la nouvelle pile (3V CR2032), avec le côté positif vers le haut.
5. Fermer la porte du compartiment de la pile et serrer la vis fermement.

AVERTISSEMENT Pour minimiser les risques de blessures ou de dommages à l'outil, n'immergez jamais l'outil, la batterie ou le chargeur et ne laissez pas de liquide s'y infiltrer.

Nettoyage

Débarassez les tous événements des débris et de la poussière. Gardez les outil propres, à sec et exempts d'huile ou de graisse. Le nettoyage doit se faire avec un linge humide et un savon doux. Certains nettoyeurs tels l'essence, la térébenthine, les diluants à laque ou à peinture, les solvants chlorés, l'ammoniac et les détergents d'usage domestique qui en contiennent pourraient détériorer le plastique et l'isolation des pièces. Ne laissez jamais de solvants inflammables ou combustibles auprès des outils.

Réparations

Pour les réparations, retournez outil, batterie et chargeur en entier au centre-service autorisé le plus près.

ACCESOIRES

AVERTISSEMENT L'utilisation d'autres accessoires que ceux qui sont spécifiquement recommandés pour cet outil peut comporter des risques.

Pour une liste complète des accessoires, visiter le site internet www.milwaukeetool.com ou contactez un distributeur.

COMMUNICATION SANS FIL

Pour les produits comportant des fonctions de communication sans fil, ONE-KEY™ y compris :

Conformément à la part 15.21 du Règlement de la FCC, ne pas modifier ce produit-ci. Une telle modification pourra annuler votre autorisation à utiliser le produit. Cet appareil est conforme à la part 15 du Règlement de la FCC et les normes RSS d'exemption de licence de l'ISED-Canada. Son fonctionnement est soumis aux conditions suivantes : 1) Cet appareil ne doit produire aucun brouillage préjudiciable ; et 2) cet appareil doit fonctionner en dépit de tout brouillage capté, y compris le brouillage pouvant mener à un fonctionnement non désiré.

SERVICE - CANADA

Milwaukee Tool (Canada) Ltd

1.800.268.4015

Monday-Friday, 7:00 AM - 4:30 PM CST

www.milwaukeetool.ca

GARANTIE LIMITÉE - AUX ÉTATS-UNIS ET AU CANADA

Chaque outil électrique* MILWAUKEE (voir exceptions ci-dessous) est garanti à l'acheteur d'origine uniquement pour être exempt de vices de matériaux et de fabrication. Sous réserve de certaines exceptions, MILWAUKEE réparera ou remplacera toute pièce d'un outil électrique qui, après examen par MILWAUKEE, s'est avérée être affectée d'un vice de matériau ou de fabrication et ce pendant une période de cinq (5) ans** à compter de la date d'achat, sauf indication contraire. Retourner l'outil électrique à un centre de réparation en usine MILWAUKEE ou à un poste d'entretien agréé MILWAUKEE, en port prépayé et assuré. Une copie de la preuve d'achat doit être présentée lors du retour du produit. Cette garantie ne couvre pas les dommages que MILWAUKEE détermine être causés par des réparations ou des tentatives de réparation par quiconque autre que le personnel agréé par MILWAUKEE, ou par des utilisations incorrectes, des altérations, des utilisations abusives, une usure normale, une carence d'entretien ou des accidents.

Usure normale : Plusieurs outils électriques requièrent un remplacement et un entretien périodique de leurs pièces pour un meilleur rendement. Cette garantie ne couvre pas la réparation des pièces due à l'utilisation normale de l'outil, y compris, mais sans s'y limiter, les mandrins, les broches, les cordes, les sabots de scie, les portelames, les joints toriques, les joints, les amortisseurs, les lames d'entraînement, les pistons, les perceurs, les crochets et les rondelles à couvercle amortisseur.

* Cette garantie ne s'applique pas aux cloueuses-agrafeuses pneumatiques, aux pulvérisateurs à peinture sans air, aux blocs-piles pour outils sans fil, aux génératrices d'alimentation portatives à essence, aux outils à main, aux monte-charges - électriques, à levier et à chaîne, aux vestes chauffantes M12™, aux produits ré-usinés, ni aux produits d'essai et de mesure. Il existe des garanties séparées distinctes pour ces produits.

** La période de garantie applicable pour les radios de chantier, le port d'alimentation M12™, la source électrique M18™, le ventilateur de chantier et les chariots de travail industriels Trade Titan™ est d'une durée d'un (1) an à compter de la date d'achat. La période de garantie pour les M18 FUEL™ 1" chocs à couple élevé à poignée en « D », câbles de nettoyage des drains, les accessoires de pistolet à air de vidange AIRSNAKE™ et les niveaux laser USB REDLITHIUM® est de deux (2) ans à compter de la date d'achat. La période de garantie pour le pistolet thermique compact M18™, dépolissoir de 8 gallons, M18™ cloueuses à ossature, M18 FUEL™ 1/2" clé à chocs de enclume prolongé, couple contrôlé avec ONE-KEY™, M18 FUEL™ 1" clé à chocs de couple élevé avec ONE-KEY™, M18 FUEL™ compresseur silencieux compact de 7.6 L, les niveaux laser M12™, détecteur laser de 19,8 m, cloueuse à chevilles 23GA M12™, M18 FUEL™ 6.4 mm riveteuse aveugle avec ONE-KEY™, tampon de pneu basse vitesse M12 FUEL™ et les polisseuses à orbite aléatoire à double action M18 FUEL™ est de trois (3) ans à compter de la date d'achat. La période de garantie couvrant la DEL de la lampe de travail à DEL et l'ampoule améliorée à DEL de la lampe de travail est une garantie à vie du produit soumise aux limitations ci-dessus. En cas de défaillance de la DEL ou de l'ampoule à DEL pendant son utilisation normale, la pièce défaillante sera remplacée gratuitement.

L'enregistrement de la garantie n'est pas nécessaire pour bénéficier de la garantie en vigueur sur un outil électrique MILWAUKEE. La date de fabrication du produit servira à établir la période de garantie, si aucune preuve d'achat n'est fournie lorsqu'une demande de service sous garantie est déposée.

L'ACCEPTATION DES RECOURS EXCLUSIFS DE RÉPARATION ET DE REMPLACEMENT DÉCRITS DANS LES PRÉSENTES EST UNE CONDITION DU CONTRAT D'ACHAT DE TOUT PRODUIT MILWAUKEE. SI VOUS N'ACCEPTÉZ PAS CETTE CONDITION, VOUS NE DEVEZ PAS ACHETER LE PRODUIT. EN AUCUN CAS, MILWAUKEE NE SAURAIT ÊTRE RESPONSABLE DE TOUT DOMMAGE ACCESSOIRE, SPÉCIAL OU INDIRECT, DE DOMMAGES-INTÉRÊTS PUNITIFS OU DE TOUTE DÉPENSE, D'HONORAIRES D'AVOCAT, DE FRAIS, DE PERTE OU DE DÉLAIS ACCESSOIRES À TOUT DOMMAGE, DÉFAILLANCE OU DÉFAUT DE TOUT PRODUIT, Y COMPRIS NOTAMMENT LES PERTES DE PROFIT. CERTAINS ÉTATS ET PROVINCES NE PERMETTANT L'EXCLUSION OU LA LIMITATION DES DOMMAGES DIRECTS OU INDIRECTS, LES RESTRICTIONS CI-DESSUS PEUVENT NE PAS VOUS ÊTRE APPLICABLES. CETTE GARANTIE EST EXCLUSIVE ET REMPLACE TOUTE AUTRE GARANTIE EXPRESSE, QU'ELLE SOIT VERBALE OU ÉCRITE. DANS LA MESURE PERMISE PAR LA LOI, MILWAUKEE RENONCE À TOUTE GARANTIE IMPLICITE, Y COMPRIS, MAIS SANS S'Y LIMITER, TOUTE GARANTIE IMPLICITE DE QUALITÉ MARCHANDE OU D'ADAPTATION À UNE UTILISATION OU À UNE FIN PARTICULIÈRE, DANS LA MESURE OU UNE TELLE STIPULATION D'EXONÉRATION N'EST PAS PERMISE PAR LA LOI. LA DURÉE DE CES GARANTIES IMPLICITES EST LIMITÉE À LA PÉRIODE APPLICABLE DE LA GARANTIE EXPRESSE, TEL QUE CELA EST DÉCRIT PRÉCÉDEMMENT. CERTAINS ÉTATS ET PROVINCES NE PERMETTANT PAS DE LIMITATION DE DURÉE DES GARANTIES IMPLICITES, LES RESTRICTIONS CI-DESSUS PEUVENT DONC NE PAS VOUS ÊTRE APPLICABLES. LA PRÉSENTE VOUS CONFÈRE DES DROITS LÉGAUX PARTICULIERS; VOUS BÉNÉFICIEZ ÉGALEMENT D'AUTRES DROITS QUI VARIENT D'UN ÉTAT À UN AUTRE.

Cette garantie s'applique aux produits vendus aux États-Unis et au Canada uniquement.

Veuillez consulter la rubrique Centre SAV Milwaukee, dans la section Pièces et Services du site Web de MILWAUKEE, à l'adresse www.milwaukeetool.com, ou composer le 1-800-SAWDUST (1-800-729-3878) afin de trouver le centre de service de votre région le plus proche pour l'entretien, sous garantie ou non, de votre outil électrique Milwaukee.

ADVERTENCIAS DE SEGURIDAD GENERALES PARA LA HERRAMIENTA ELÉCTRICA

⚠️ ADVERTENCIA Lea todas las advertencias de seguridad, instrucciones, ilustraciones y especificaciones con esta herramienta eléctrica. Si no sigue todas las advertencias e instrucciones, se pueden provocar una descarga eléctrica, un incendio o lesiones graves. **Guarde todas las advertencias e instrucciones para consultarlas en el futuro.** El término "herramienta eléctrica" en todas las advertencias incluidas más abajo se refiere a su herramienta operada por conexión (cable) a la red eléctrica o por medio de una batería (inalámbrica).

SEGURIDAD EN EL ÁREA DE TRABAJO

- **Mantenga el área de trabajo limpia y bien iluminada.** Las áreas desordenadas u oscuras son propicias para los accidentes.
- **No utilice herramientas eléctricas en atmósferas explosivas, tales como en presencia de líquidos, gases o polvos inflamables.** Las herramientas eléctricas generan chispas que pueden encender el polvo o los vapores.
- **Mantenga a los niños y a los espectadores alejados mientras utiliza una herramienta eléctrica.** Las distracciones pueden ocasionar la pérdida de control.

SEGURIDAD ELÉCTRICA

- **Los enchufes de la herramienta eléctrica deben coincidir con el tomacorriente.** Nunca modifique el enchufe de ninguna manera. No utilice adaptadores de enchufe con herramientas eléctricas aterrizadas. Los enchufes y tomacorrientes correspondientes sin modificar reducirán el riesgo de descarga eléctrica.
- **Evite el contacto corporal con superficies aterrizadas, tales como tuberías, radiadores, estufas y refrigeradores.** Existe un riesgo mayor de descarga eléctrica si su cuerpo está aterrizado.
- **No exponga las herramientas eléctricas a la lluvia ni a condiciones húmedas.** Si se introduce agua en una herramienta eléctrica, aumentará el riesgo de descarga eléctrica.
- **No maltrate el cable.** Nunca utilice el cable para cargar, jalar o desconectar la herramienta eléctrica. Mantenga el cable alejado del calor, el aceite, los bordes afilados o las partes en movimiento. Los cables dañados o enredados aumentan el riesgo de descarga eléctrica.
- **Al utilizar una herramienta eléctrica en exteriores, utilice una extensión adecuada para uso en exteriores.** El uso de una extensión adecuada para el uso en exteriores disminuye el riesgo de descarga eléctrica.
- **Si es inevitable utilizar una herramienta eléctrica en un lugar húmedo, utilice un alimentador de corriente protegido con un interruptor de circuito por falla de conexión a tierra (GFCI).** El uso de un GFCI reduce el riesgo de descarga eléctrica.

SEGURIDAD PERSONAL

- **Manténgase alerta, atento a lo que está haciendo y utilice el sentido común al utilizar una herramienta eléctrica.** No utilice una herramienta eléctrica mientras está cansado o bajo la influencia de drogas, alcohol o medicamentos. Un momento de distracción al utilizar herramientas eléctricas puede ocasionar lesiones personales graves.
- **Utilice equipo de protección personal. Siempre use protección para los ojos.** El equipo de protección, tal como una máscara contra polvo, calzado antideslizante, casco o protección auditiva, utilizado para condiciones adecuadas disminuirá las lesiones personales.
- **Evite el arranque accidental. Asegúrese de que el interruptor esté en la posición de apagado antes de conectarlo a una fuente de poder y/o batería, levantar o trasladar la herramienta.** Trasladar herramientas con el dedo en el interruptor o energizar herramientas eléctricas que tienen el interruptor encendido propicia accidentes.
- **Retire cualquier llave de ajuste antes de entender la herramienta.** Una llave que se deje insertada en una parte giratoria de la herramienta eléctrica puede ocasionar lesiones personales.
- **No estire el cuerpo demasiado. Mantenga un buen contacto entre los pies y el suelo y mantenga el equilibrio en todo momento.** Esto permite un mejor control de la herramienta eléctrica en situaciones inesperadas.
- **Vístase adecuadamente. No utilice ropa o joyería holgada.** Mantenga el cabello y la ropa alejados de las partes móviles. La ropa holgada, las alhajas o el cabello largo pueden quedarse atrapados en las partes móviles.
- **Si se proporcionan dispositivos para la conexión de instalaciones de extracción y recolección de polvo, cerciéndose de que estén conectados y se utilicen correctamente.** El uso de dispositivos recolectores de polvo puede disminuir los riesgos relacionados con el polvo.
- **No permita que la familiaridad por el uso frecuente de las herramientas lo hagan sentirse seguro e ignorar los principios de seguridad de las herramientas.** Un descuido puede provocar lesiones graves en una fracción de segundo.

USO Y CUIDADO DE LAS HERRAMIENTAS ELÉCTRICAS

- **No fuerce la herramienta eléctrica.** Utilice la herramienta eléctrica correcta para su aplicación. La herramienta eléctrica correcta realizará el trabajo mejor y con mayor seguridad a la velocidad para la que fue diseñada.
- **No utilice la herramienta eléctrica si el interruptor no la enciende y la apaga.** Cualquier herramienta eléctrica que no pueda controlarse con el interruptor es peligrosa y debe repararse.
- **Desconecte el enchufe de la fuente de energía y/o quite la batería de la herramienta eléctrica, si es posible, antes de realizar cualquier ajuste, cambiar accesorios o almacenar las herramientas eléctricas.** Tales medidas preventivas de seguridad disminuyen el riesgo de que la herramienta eléctrica se encienda accidentalmente.
- **Almacene las herramientas eléctricas que no se estén utilizando fuera del alcance de los niños y no permita que personas que no estén familiarizadas con la herramienta eléctrica o con estas instrucciones la utilicen.** Las herramientas eléctricas son peligrosas en manos de usuarios sin capacitación.

- **Dé mantenimiento a las herramientas eléctricas y accesorios.** Verifique que no haya desalineación, amarre de partes móviles, partes rotas o alguna otra condición que pueda afectar el funcionamiento de la herramienta eléctrica. Si se daña, asegúrese de que la herramienta eléctrica sea reparada antes de que se utilice. Muchos accidentes son ocasionados por herramientas eléctricas con mantenimiento deficiente.
- **Mantenga las herramientas de corte afiladas y limpias.** Las herramientas de corte correctamente mantenidas con bordes de corte afilados son menos propensas a atorarse y son más fáciles de controlar.
- **Utilice la herramienta eléctrica, los accesorios y las puntas, etc. de acuerdo con estas instrucciones, tomando en cuenta las condiciones de trabajo y el trabajo a realizar.** El uso de la herramienta eléctrica para operaciones diferentes a las previstas podría generar una situación peligrosa.
- **Mantenga las empuñaduras y ñas superficies de sujeción secas, limpias y libres de aceite y grasa.** Las empuñaduras y superficies de sujeción resbalosas no permiten el manejo y control seguros de la herramienta en situaciones inesperadas.

USO Y CUIDADO DE LAS HERRAMIENTAS CON BATERÍA

- **Recargue únicamente con el cargador especificado por el fabricante.** Un cargador que es adecuado para un tipo de batería puede crear un riesgo de incendio si se utiliza con otra batería.
- **Utilice las herramientas eléctricas únicamente con baterías específicamente diseñadas.** El uso de cualquier otra batería puede producir un riesgo de lesiones e incendio.
- **Cuando la batería no esté en uso, manténgala alejada de otros objetos metálicos como sujetapapeles, monedas, llaves, clavos, tornillos u otros objetos metálicos pequeños que puedan formar una conexión de una terminal a otra.** Crear un corto entre las terminales de la batería puede ocasionar quemaduras o un incendio.
- **Bajo condiciones de maltrato, el líquido puede ser expulsado de la batería, evite el contacto.** En caso de contacto accidental, lave con agua. Si el líquido entra en contacto con los ojos, busque además ayuda médica. El líquido expulsado de la batería puede causar irritación o quemaduras.
- **No use una batería o herramienta que se haya dañado o modificado.** Las baterías dañadas o modificadas pueden mostrar un comportamiento impredecible, causando incendios, explosión o riesgo de lesión.
- **No exponga una batería o herramienta al fuego o a temperatura excesiva.** La exposición a fuego o temperatura a más de 130° C (265° F) puede causar explosiones.
- **Siga todas las instrucciones de carga y no cargue la batería o la herramienta fuera del rango de temperatura especificado en las instrucciones.** La carga incorrecta o a temperaturas fuera del rango especificado puede dañar la batería y aumentar el riesgo de incendio.

MANTENIMIENTO

- **Lleve su herramienta eléctrica a servicio con un técnico calificado que use únicamente piezas de reemplazo idénticas.** Esto asegurará que la seguridad de la herramienta eléctrica se mantenga.

- **Nunca dé servicio a baterías dañadas.** Únicamente el fabricante o proveedores de servicio autorizados deben dar servicio a las baterías.

REGLAS ESPECIFICAS DE SEGURIDAD PARA ROTOMARTILLOS

- **Utilice protectores auditivos.** La exposición al ruido puede causar pérdida auditiva.
- **Use las empuñaduras auxiliares si se proporcionan con la herramienta.** La pérdida de control puede causar lesiones personales.
- **Sostenga las herramientas eléctricas de las superficies de sujeción aisladas al llevar a cabo una operación en la que la herramienta de corte pueda hacer contacto con cableado oculto.** El contacto del accesorio de corte con un cable que conduzca electricidad puede hacer que las partes metálicas de la herramienta se electrifique y podría ocasionar una descarga eléctrica al operador.
- **Mantenga las manos alejadas de todos los bordes de corte y de las piezas móviles.**
- **Riesgo de quemadura química.** Mantenga la batería de la celda de monedas lejos de los niños.

- **ADVERTENCIA** Para reducir el riesgo de lesiones, al momento de realizar trabajos en situaciones donde haya presencia de polvo, utilice la protección respiratoria adecuada o utilice una solución de extracción de polvo que cumpla con los requisitos de la OSHA.

- **Válgase siempre de su sentido común y sea cuidadoso cuando utilice herramientas.** No es posible anticipar todas las situaciones que podrían tener un desenlace peligroso. No utilice esta herramienta si no entiende estas instrucciones de uso o si considera que el trabajo a realizar supera sus capacidades, comuníquese con Milwaukee Tool o con un profesional capacitado para recibir capacitación o información adicional.

- **Corte la varilla de refuerzo integrada sólo si la operación no afecta la integridad del edificio.** En caso de dudas, consulte a un ingeniero estructural. El operador de la herramienta asume la plena responsabilidad por todos los efectos estructurales adversos.

- **Conserve las etiquetas y las placas nominales.** Contienen información importante. Si son ilegibles o no están presentes, comuníquese con un centro de servicio MILWAUKEE para obtener un reemplazo gratuito.

- **ADVERTENCIA** Algunos polvos generados por el lijado eléctrico, aserrado, pulido, taladrado y otras actividades de construcción contienen químicos identificados como causantes de cáncer, defectos congénitos u otros daños reproductivos. Algunos ejemplos de estos químicos son:
 - plomo de pintura basada en plomo
 - dióxido de silicio de los ladrillos y el cemento y otros productos de albañilería y
 - arsénico y cromo de madera con tratamiento químico.
 Su riesgo por estas exposiciones varía, dependiendo de la frecuencia con que realice este tipo de trabajo. Para reducir su exposición a estos químicos: trabaje en un área bien ventilada y trabaje con equipo de seguridad aprobado, como mascarillas protectoras contra polvo especialmente diseñadas para filtrar partículas microscópicas.

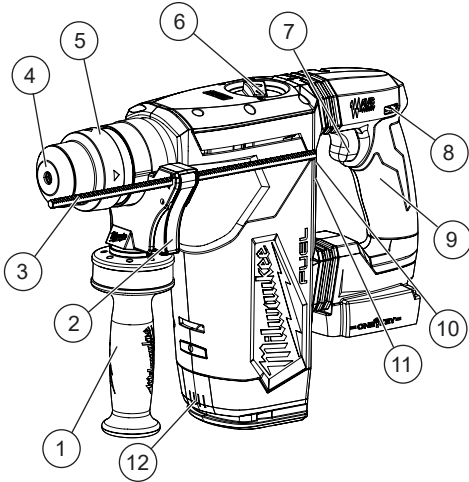
ESPECIFICACIONES

Cat. No.	2915-20
Volts.	18 CD
Tipo de batería.	M18™
Tipo de cargador.	M18™
RPM sin carga.	0 - 800
Golpes por minuto.	0 - 4 600
Módulo/ID de FCC.	BGM11S/QOQ1
Portador de brocas.	SDS Plus
Capacidades	

Broca helicoidal*	
Acero.	13 mm (1/2")
Madera.	28 mm (1-1/8")
Rotomartillos (concreto)	
Broca de percusión con punta de carburo.	28 mm (1-1/8")
Broca sacanúcleos.	64 mm (2-1/2")

Temperatura ambiente recomendada para operar. -18°C a 50°C (0°F a 125°F)
*Requiere juego adaptador de portabrocas, Cat. no. 48-66-1370

DESCRIPCION FUNCIONAL



1. Mango lateral
2. Tornillo de sujeción
3. Medidor de profundidad
4. Portador de brocas SDS Plus
5. Palanca de liberación de portabrocas
6. Palanca de selector de modo
7. Gatillo
8. Interruptor de control
9. Mango
10. LED indicador de ONE-KEY™ (Cat. No. 2914-20 únicamente)
11. LED indicador de AUTOSTOP™
12. Conexión para extractor de polvo connection

SIMBOLOGÍA



Volts



Corriente continua

n, XXXX min⁻¹ Revoluciones por minutos sin carga (RPM)



Golpes por minuto (BPM)



Sistema antivibración



UL Listing Mark para Canadá y Estados Unidos

ENSAMBLAJE

⚠ ADVERTENCIA Recargue la batería sólo con el cargador especificado para ella. Para instrucciones específicas sobre cómo cargar, lea el manual del operador suministrado con su cargador y la batería.

Como se inserta/quita la batería en la herramienta

Para **retirar** la batería, presione los botones de liberación y jale de la batería para sacarla de la herramienta.

⚠ ADVERTENCIA Bloquee siempre el gatillo o retire la batería cada vez que la herramienta no esté en uso.

Para **introducir** la batería, deslícela en el cuerpo de la herramienta. Asegúrese de que quede bien firme en su posición.

⚠ ADVERTENCIA Utilice únicamente accesorios específicamente recomendados para esta herramienta. El uso de accesorios no recomendados podría resultar peligroso.

Para **reducir el riesgo de lesiones**, use siempre un mango lateral al operar la herramienta. Siempre agarre o sujete la herramienta firmemente.

Agarre del mango lateral

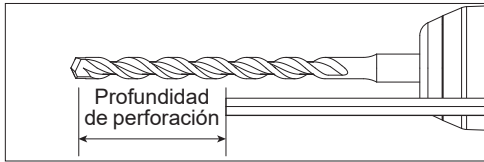
1. Afloje el mango lateral desenroscando el agarre del mango lateral hasta que el mango lateral gire libremente.
2. Gire el mango lateral a la posición deseada.
3. Apriete el agarre del mango lateral de forma segura.

Para usarse con el extractor de polvo

El extractor de polvo Milwaukee Cat. No. 2915-DE se conecta directamente a estos rotomartillos SDS Plus de 28 mm (1-1/8"). Para el ensamble y operación del extractor de polvo, consulte el manual de su extractor.

Cómo colocar el medidor de profundidad

1. Oprima la palanca de fijación.
 2. Deslice el vástago del medidor de profundidad hacia atrás o hacia adelante hasta que quede ajustado en la profundidad deseada.
- NOTA:** La profundidad de taladrado es la distancia entre la punta de la broca y la punta del vástago del medidor de seguridad.



3. Suelte la palanca de fijación.

Colocación de las brocas and cinceles

NOTA: Sólo use los accesorios con una varilla de SDS o SDS Plus.

Asegúrese que tanto el zanco de la broca como las uñas del mandril están limpias. Partículas de suciedad pueden hacer que la broca quede mal alineada. No use brocas mas grandes que las de la máxima capacidad recomendada para este taladro porque se puede generar daño a los engranes o sobrecargar el motor. Para un mejor rendimiento, antes de usarlos asegúrese de que la broca se encuentre bien afilada y la varilla ligeramente lubricada.

1. Inserte la broca o el cincel en la nariz de la herramienta.
2. Gire la broca lentamente, hasta que se alinee con el mecanismo asegurador.
3. Presione la broca en la herramienta hasta que se fije.
4. Verifique que la broca se encuentre firmemente ajustada; debe poder tirarse de la broca levemente hacia atrás y hacia adelante (alrededor de 6 mm (1/4")).
5. Para retirar las brocas y cinceles, tire el del collarín de liberación del portabrocas hacia la parte posterior de la herramienta y retire la broca.

¡ADVERTENCIA! No toque las brocas o los cinceles con las manos inmediatamente después de perforar; pueden estar calientes y quemar la piel.

ONE-KEY™

Para obtener más información acerca de la funcionalidad de ONE-KEY™ para esta herramienta, visite milwaukeeetool.com/One-Key. Para descargar la aplicación ONE-KEY™, visite la App Store o Google Play desde su dispositivo inteligente.

Indicador ONE-KEY™	
Azul fijo	El modo inalámbrico está activo y listo para configurar a través de la aplicación ONE-KEY™.
Azul intermitente	La herramienta tiene una comunicación activa con la aplicación ONE-KEY™.
Rojo intermitente	La herramienta tiene activo el bloqueo de seguridad y sólo podrá desbloquearla el dueño a través de la aplicación ONE-KEY™.

OPERACIÓN

⚠ ADVERTENCIA Para reducir el riesgo de lesiones, extraiga siempre la batería antes de acoplar o desacoplar accesorios. Utilice únicamente accesorios específicamente recomendados para esta herramienta. El uso de accesorios no recomendados podría resultar peligroso.

Para reducir el riesgo de lesiones, mantenga ambas manos alejadas de la següeta y de otras piezas móviles.

Siempre utilice la protección de ojos adecuada indicada para cumplir con lo dispuesto en la norma ANSI Z87.1.

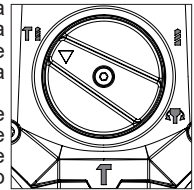
Al momento de realizar trabajos en situaciones donde haya presencia de polvo, utilice la protección respiratoria adecuada o utilice una solución de extracción de polvo que cumpla con los requisitos de la OSHA.

Use siempre un mango lateral al operar la herramienta. Siempre agarre o sujete la herramienta firmemente.

Selección de funciones

Los Martillos Rotatorios de MILWAUKEE tienen tres reglajes: taladro solamente, martillo rotatorio y martillo solamente. Siempre se debe esperar a que el motor se pare por completo antes de usar.

1. Para taladrar, gire la palanca de selector de manera que la flecha en la palanca apunte hacia el símbolo de broca helicoidal **T**.
2. Para martilleo rotatorio, gire la palanca de selector de manera que la flecha apunte hacia el símbolo del martillo y de broca helicoidal **T**.
3. Para martilleo solamente, gire la palanca de selector de manera que la flecha apunte hacia el símbolo del martillo **T**.
4. Para girar libremente la broca hacia el ángulo deseado de martilleo solamente, gire la palanca de selector de manera que la flecha apunte hacia el símbolo **T**. Luego, siga el paso 3.



NOTA: Para hacer actuar el mecanismo de martilleo, mantenga la presión en la broca. Cuando se libera la presión en la broca, la acción de martilleo se detendrá.

Utilización del interruptor de control

El interruptor de control se puede colocar en tres posiciones diferentes. avance, retroceso y bajo seguro. Para poder usar el interruptor de control, siempre se debe esperar a que el motor se pare por completo.

Para **avanzar** (el giro es en el sentido de las manecillas del reloj) presione el interruptor de control colocado al lado derecho de la herramienta. **Verifique la dirección del giro antes de usarlo.**

Para **retroceder**, (el giro es en el sentido opuesto a las manecillas del reloj), presione el interruptor de control colocado al lado izquierdo de la herramienta.

Verifique la dirección del giro antes de usarlo.

Para **ponerle el seguro** al gatillo, el interruptor de control se coloca en la posición central. El gatillo no funcionará mientras el interruptor de control se encuentre bajo seguro en la posición central trabada. Bloquee siempre el gatillo o retire la batería cada vez que la herramienta no esté en uso.

Encendido, parada y control de la velocidad

Para la operación al utilizar el extractor de polvo, consulte el manual de su extractor.

1. Para **encender** la herramienta, agarre el mango(s) firmemente y apriete el gatillo.

NOTA: Se enciende una luz LED cuando se oprime el gatillo y se apagará rápidamente después de liberar el gatillo.

2. Para **cambiar** la velocidad, aumente o disminuya la presión sobre el gatillo. Cuanto más se apriete el gatillo, mayor será la velocidad.

3. Para **detener** la herramienta, suelte el gatillo. Asegúrese de que la herramienta se detenga por completo antes de bajarla.

Operación

Coloque la herramienta, agarre los mangos firmemente y oprima el gatillo. Siempre sujete la herramienta de manera segura utilizando ambos mangos para mantener el control. Esta herramienta ha sido diseñada para obtener un rendimiento máximo utilizando únicamente presión moderada. Permita que la herramienta realice el trabajo.

Si la velocidad comienza a disminuir cuando se taladran orificios profundos o de mayor tamaño, tire de la broca parcialmente hacia fuera del orificio mientras la herramienta se encuentra funcionando para ayudar a despejar el polvo. No utilice agua para asentar el polvo o enfriar la broca porque esto ocasiona que las estrías de la broca se destruyan y que la broca se atore. Si la broca se atora, un embrague de deslizamiento incorporado, no ajustable, evita que la broca gire. De ocurrir esta situación, detenga la herramienta, libere la broca y comience de nuevo.

La función de control de contragolpe AUTOSTOP™ siente un doblez y cuando la herramienta se encuentre en una situación de amarre, la herramienta se pagará electrónicamente. Hay un indicador de luz integrado que parpadeará cuando el AUTOSTOP™ se active.

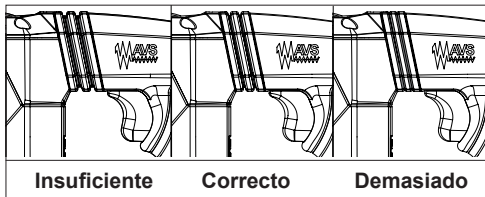
NOTA: Aplicar mayor presión no aumenta la eficacia de la herramienta. Si la fuerza de trabajo aplicada es demasiado elevada, los amortiguadores chocarán entre sí intensificando notablemente las vibraciones en la empuñadura.

Fuerza aplicada por el operador

Estos martillos giratorios cuentan con un sistema de aislamiento de vibración que le proporciona mayor comodidad al operador sin sacrificarla potencia o el rendimiento de la máquina.

Una fuerza apropiada por parte del operador comprime el fuelle ligeramente y permite que la herramienta funcione agresivamente al tiempo que la empuñadura permanece firme.

Una fuerza excesiva comprime los fuelles considerablemente y reduce la absorción de vibración. Los operadores notarán la diferencia y deberán ajustar la presión a la empuñadura según corresponda.



APLICACIONES

⚠ ADVERTENCIA Para reducir el riesgo de electrocución, antes de taladrar o colocar tornillos verifique que en el área de trabajo no hayan tuberías o cables ocultos. Corte la varilla de refuerzo integrada sólo si la operación no afecta la integridad del edificio. En caso de dudas, consulte a un ingeniero estructural. El operador de la herramienta asume la plena responsabilidad por todos los efectos estructurales adversos.

Selección de las brocas

Cuando seleccione una broca, asegúrese que sea del tipo adecuado para el trabajo. Para un mejor rendimiento, use siempre brocas afiladas.

Taladrado

1. Antes de taladrar, asegúrese que el material está asegurado firmemente. Utilice un material de apoyo para prevenir dañar el material una vez hecha la operación.
2. Cuando vaya a iniciar una perforación, coloque la broca en la superficie del trabajo y aplique una presión firme. Inicie el perforado a baja velocidad y gradualmente aumentela conforme taladra.
3. Aplique siempre presión en línea con la broca. Use suficiente presión para mantener el taladro perforando, pero no demasiada que pueda frenar el motor.
4. Reduzca la presión en la parte final de la perforación. Con el taladro aun operando, jale la broca fuera de la perforación para evitar dañar el material.

Cómo taladrar en madera, materiales compuestos y plásticos

(con Cat. No. 48-66-1370)

Al taladrar en madera, materiales compuestos o plásticos, comience lentamente, aumentando gradualmente la velocidad, a medida que taladra. Cuando taladre en madera, use brocas de de berbequí o brocas convencionales. Siempre utilice brocas afiladas. Cuando utilice brocas convencionales, saque frecuentemente la broca desde la perforación para sacar la virutas desde las ranuras de la broca. Para reducir la probabilidad de que la pieza se fragmente refuerce la pieza en que está trabajando con un pedazo de madera. Cuando trabaje con plásticos, seleccione una velocidad baja con un punto de fusión.

MANTENIMIENTO

ADVERTENCIA Para reducir el riesgo de una lesión, desconecte siempre la herramienta antes de darle cualquier mantenimiento. Nunca desarme la herramienta ni trate de hacer modificaciones en el sistema eléctrico de la misma. Acuda siempre a un Centro de Servicio MILWAUKEE para TODAS las reparaciones.

Mantenimiento de las herramientas

Adopte un programa regular de mantenimiento y mantenga su herramienta en buenas condiciones. Inspeccione la herramienta para problemas como ruidos indebidos, desalineadas o agarrotadas de partes móviles, piezas rotas o cualquier otra condición que pueda afectar el funcionamiento de la herramienta. Envíe su herramienta al Centro de Servicio MILWAUKEE para reparación. Después de 6 meses a un año, dependiendo del uso dado, envíe su herramienta al Centro de Servicio MILWAUKEE más cercano para la inspección.

Si la herramienta no arranca u opera a toda su potencia con una batería completamente cargada, limpie, con una goma o borrador, los contactos de la batería y de la herramienta. Si aun así la herramienta no trabaja correctamente, regrésela, con el cargador y la batería, a un centro de servicio MILWAUKEE.

ONE-KEY™

ADVERTENCIA Riesgo de quemadura química.



Este dispositivo contiene una batería de botón/tipo moneda de litio. Una batería nueva o usada puede causar quemaduras internas graves y causar la muerte tan solo en 2 horas si se ingiere o entra al cuerpo. Siempre asegure la cubierta de la batería. Si no se cierra con firmeza, deje de usar el dispositivo, retire las baterías y manténgala alejada de los niños. Si cree que las baterías pudieron ser ingeridas o entraron al cuerpo, busque atención médica de inmediato.

Batería interna

Se usa una batería interna para facilitar toda la funcionalidad de ONE-KEY™.

Para reemplazar la batería:

1. Retire el paquete de baterías.
2. Retire el tornillo y abra la tapa de la batería.
3. Saque el panel de las baterías y retire la batería vieja. Mantenga fuera del alcance de los niños y deseche correctamente.
4. Inserte la nueva batería (3V CR2032), con el lado positivo hacia arriba.
5. Cierre la tapa de la batería y apriete el tornillo (s) con firmeza.

ADVERTENCIA Para reducir el riesgo de lesiones, descarga eléctrica o daño a la herramienta, nunca la sumerja en líquidos ni permita que estos fluyan dentro de la misma.

Limpieza

Limpie el polvo y suciedad de las cualquier ventilas. Mantenga los herramienta, limpios, secos y libres de aceite o grasa. Use solo jabón neutro y un trapo húmedo para limpiar, ya que algunos sustancias y solventes limpiadores son dañinos a los plásticos y partes aislantes. Algunos de estos incluyen: gasolina, turpentina, thinner, lacas, thinner para pinturas, solventes para limpieza con cloro, amoníaco y detergentes caseros que tengan amonía. Nunca use solventes inflamables o combustibles cerca de una herramienta.

Reparaciones

Si su herramienta, batería o cargador están dañados, envíela al centro de servicio autorizado más cercano.

ACCESORIOS

ADVERTENCIA Utilice sólo los accesorios específicamente recomendados. Otros accesorios puede ser peligroso.

Para una lista completa de accesorios, visite nuestro sitio en Internet: www.milwaukeetool.com o póngase en contacto con un distribuidor.

SOPORTE DE SERVICIO - MEXICO

CENTRO DE ATENCION A CLIENTES

Techtronic Industries Mexico, S.A. de C.V.

Av. Presidente Masarik 29 Piso 7

11560 Polanco V Seccion

Miguel Hidalgo, Distrito Federal, México

01 (800) 030-7777 o (55) 4160-3540

Lunes a Viernes (9am a 6pm)

O contáctanos en www.milwaukeetool.com.mx

GARANTÍA LIMITADA - E.U.A. Y CANADÁ

Cada herramienta eléctrica de MILWAUKEE (ver excepciones a continuación) está garantizada para el comprador original únicamente de que no tenga material y mano de obra defectuosos. Sujeto a ciertas excepciones, MILWAUKEE reparará o reemplazará cualquier parte en una herramienta eléctrica que tenga defectos de material o mano de obra según lo determine MILWAUKEE mediante una revisión, por un periodo de cinco (5) años** después de la fecha de compra a menos que se indique lo contrario. Al devolver la herramienta eléctrica a un Centro de Servicio de la fábrica de MILWAUKEE o a una Estación de Servicio Autorizada de MILWAUKEE, se requiere que el flete esté pagado por adelantado y asegurado. Se debe incluir una copia del comprobante de compra con el producto devuelto. Esta garantía no aplica a daños que MILWAUKEE determine que son ocasionados por reparaciones o intentos de reparaciones realizados por una persona que no sea personal autorizado de MILWAUKEE, uso indebido, alteraciones, maltrato, desgaste normal, falta de mantenimiento o accidentes.

Desgaste normal: Muchas herramientas eléctricas necesitan un reemplazo periódico de partes y servicio para lograr el mejor desempeño. Esta garantía no cubre la reparación cuando el uso normal ha agotado la vida de una parte, incluyendo sin limitar a mandriles, cepillos, cables, zapatas de la sierra, abrazaderas de la hoja, anillos en O, sellos, protectores, hojas de desatornilladores, pistones, herrajes, levantaadores y arandelas de cubierta de los protectores.

*Esta garantía no cubre clavadoras y grapadoras neumáticas, pistola de pintura a presión, baterías inalámbricas, generadores de energía portátil de gasolina, herramientas de mano, palanca y cadena de mano de polipasto - eléctricas, instrumentaria calefactada M12™, producto reacondicionado y productos de prueba y medición. Existen garantías por separado y distintas disponibles para estos productos.

**El periodo de garantía para los radios para obra, puerto de energía M12™, fuente de poder M18™, ventiladores para obra y carretillas de trabajo industrial Trade Titan™ es de un (1) año a partir de la fecha de compra. El periodo de garantía para los M18 FUEL™ 1" llaves de impacto de alto torque con d en empuñadura, cables de limpieza de drenaje y AIRSNAKE™ los accesorios de pistola de aire de limpieza de drenaje, y los niveles láser mediante USB REDLITHIUM® es de dos (2) años a partir de la fecha de compra. El periodo de garantía de la pistola de calor compacta M18™, extractor de polvo de 8 galones, M18™ enmarcar clavadoras, M18 FUEL™ 1/2" yunque prolongado torque controlado llave de impacto con ONE-KEY™, M18 FUEL™ 1" llave de impacto de alto esfuerzo de torsión con ONE-KEY™, M18 FUEL™ de 7,6 L compacto compresor silencioso, los niveles láser M12™, detector láser de 19,8 m, clavadora M12™ 23GA, M18 FUEL™ 6,4 mm ribeteadora ciega con ONE-KEY™, raspador de neumáticos de baja velocidad M12 FUEL™ y las pulidoras de órbita aleatoria de doble acción M18 FUEL™ es de tres (3) años a partir de la fecha de compra. El periodo de garantía de las lámparas de LED en la Lámpara de trabajo LED y el Bulbo mejorado de LED para la Luz de trabajo es por la vida del producto sujeto a las limitaciones anteriores. Si durante el uso normal el LED o Bulbo de LED falla, la parte será reemplazada sin cargo.

No se requiere el registro de la garantía para obtener la garantía correspondiente a un producto de herramienta eléctrica de MILWAUKEE. La fecha de manufactura del producto se utilizará para determinar el periodo de garantía si no se proporciona comprobante de compra al solicitar el servicio en garantía.

LA ACEPTACIÓN DE LOS REMEDIOS EXCLUSIVOS DE REPARACIÓN Y REEMPLAZO AQUÍ DESCRITOS ES UNA CONDICIÓN DEL CONTRATO PARA LA COMPRA DE TODO PRODUCTO DE MILWAUKEE. SI USTED NO ACEPTA ESTA CONDICIÓN, NO DEBE COMPRAR EL PRODUCTO. MILWAUKEE NO SERÁ RESPONSABLE EN NINGÚN CASO DE DAÑOS INCIDENTALES, ESPECIALES, EMERGENTES O PUNITIVOS NI DE NINGÚN COSTO, HONORARIOS LEGALES, GASTOS, PÉRDIDAS O DEMORAS ALEGADAS COMO CONSECUENCIA DE ALGÚN DAÑO, FALLA O DEFECTO EN NINGÚN PRODUCTO, INCLUYENDO, ENTRE OTROS, RECLAMACIONES POR PÉRDIDA DE UTILIDADES. ALGUNOS ESTADOS NO PERMITEN LA EXCLUSIÓN O LIMITACIÓN DE RESPONSABILIDAD POR DAÑOS INCIDENTALES O EMERGENTES,

POR LO QUE LA ANTERIOR LIMITACIÓN O EXCLUSIÓN PODRÍA NO APLICARSE EN SU CASO. ESTA GARANTÍA ES EXCLUSIVA Y REEMPLAZA TODAS LAS DEMÁS GARANTÍAS EXPRESAS, ESCRITAS U ORALES. EN LA MEDIDA EN QUE LO PERMITA LA LEY, MILWAUKEE DESCONOCE CUALQUIER GARANTÍA IMPLÍCITA, INCLUYENDO SIN LIMITACIÓN CUALQUIER GARANTÍA IMPLÍCITA DE COMERCIABILIDAD O IDONEIDAD PARA UN FIN O USO ESPECÍFICO; EN LA MEDIDA EN QUE DICHO DESCONOCIMIENTO NO SEA PERMITIDO POR LA LEY, DICHAS GARANTÍAS IMPLÍCITAS SE LIMITAN A LA DURACIÓN DE LA GARANTÍA EXPRESA CORRESPONDIENTE SEGÚN SE DESCRIBIÓ ANTERIORMENTE. ALGUNOS ESTADOS NO PERMITEN LIMITACIONES SOBRE LA DURACIÓN DE UNA GARANTÍA IMPLÍCITA, POR LO QUE LA ANTERIOR LIMITACIÓN PUDIERA NO APLICARSE A USTED. ESTA GARANTÍA LE DA DERECHOS LEGALES ESPECÍFICOS Y USTED PODRÍA ADEMÁS TENER OTROS DERECHOS QUE VARIAN DE UN ESTADO A OTRO.

Esta garantía aplica al producto vendido en los Estados Unidos y Canadá únicamente.

Consulte la "Búsqueda de centro de servicio" en la sección de Partes y servicio del sitio web de MILWAUKEE en www.milwaukeetool.com o llame al 1.800.SAWDUST (1.800.729.3878) para localizar su centro de servicio más cercano para darle servicio con y sin garantía a una herramienta eléctrica de Milwaukee.

PÓLIZA DE GARANTÍA - VALIDA SOLO PARA MEXICO, AMÉRICA CENTRAL Y EL CARIBE

La garantía de TECHTRONIC INDUSTRIES es por 5 años a partir de la fecha original de compra.

Esta tarjeta de garantía cubre cualquier defecto de material y mano de obra en ese Producto.

Para hacer válida esta garantía, presente esta tarjeta de garantía, cerrada/sellada por el distribuidor o la tienda donde compró el producto, al Centro de Servicio Autorizado (ASC). O, si esta tarjeta no se ha cerrado/sellado, presente la prueba original de compra a ASC. Llame 55 4160-3547 para encontrar el ASC más cercano, para servicio, partes, accesorios o componentes.

Procedimiento para hacer válida esta garantía

Lleve el producto a ASC, junto con la tarjeta de garantía cerrada/sellada por el distribuidor o la tienda donde compró el producto, y cualquier pieza o componente defectuoso se reemplazará sin costo para usted. Cubriremos todos los costos de flete con relación a este proceso de garantía

Excepciones

Esta garantía no tendrá validez en las siguientes situaciones:

- Quando el producto se use de manera distinta a la que indica el manual del usuario final o de instrucciones.
- Quando las condiciones de uso no sean normales.
- Quando otras personas no autorizadas por TECHTRONIC INDUSTRIES modifiquen o reparen el producto.

Nota: si el juego de cables está dañado, tiene que reemplazarse en un Centro de Servicio Autorizado para evitar riesgos eléctricos.

CENTRO DE SERVICIO Y ATENCIÓN

Llame al 55 4160-3547

IMPORTADO Y COMERCIALIZADO POR
TECHTRONIC INDUSTRIES, MÉXICO, S.A. DE C.V.
Miguel de Cervantes Saavedra No.301 Piso 5, Torre Norte
11520 Colonia Ampliación Granada
Miguel Hidalgo, Ciudad de Mexico, Mexico

Modelo: _____

Fecha de Compra: _____

Sello del Distribuidor: _____

MILWAUKEE TOOL
13135 West Lisbon Road
Brookfield, WI 53005 USA

58140458d1
05/21

961013737-01(A)
Printed in China