



# SERVICE PARTS LIST

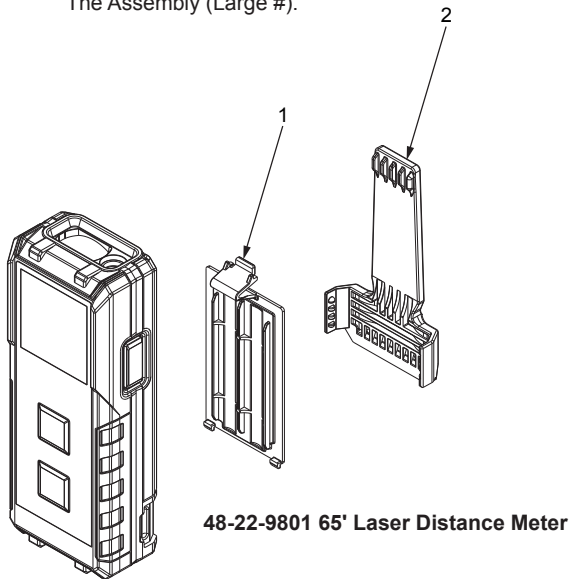
**BULLETIN NO.**  
**54-07-9800**

| SPECIFY CATALOG NO. AND SERIAL NO. WHEN ORDERING PARTS |                   |                            | REVISED BULLETIN          | DATE      |
|--|-------------------|----------------------------|---------------------------|-----------|
| <b>LASER DISTANCE METERS</b>                           |                   |                            |                           | Nov. 2016 |
| <b>CATALOG NO.</b>                                     | <b>48-22-9801</b> | <b>STARTING SERIAL NO.</b> | <b>WIRING INSTRUCTION</b> |           |
|  |                   | <b>H82A</b>                |                           |           |
| <b>CATALOG NO.</b>                                     | <b>48-22-9802</b> | <b>STARTING SERIAL NO.</b> |                           |           |
|  |                   | <b>H83A</b>                |                           |           |
| <b>CATALOG NO.</b>                                     | <b>48-22-9803</b> | <b>STARTING SERIAL NO.</b> |                           |           |
|  |                   | <b>H84A</b>                |                           |           |

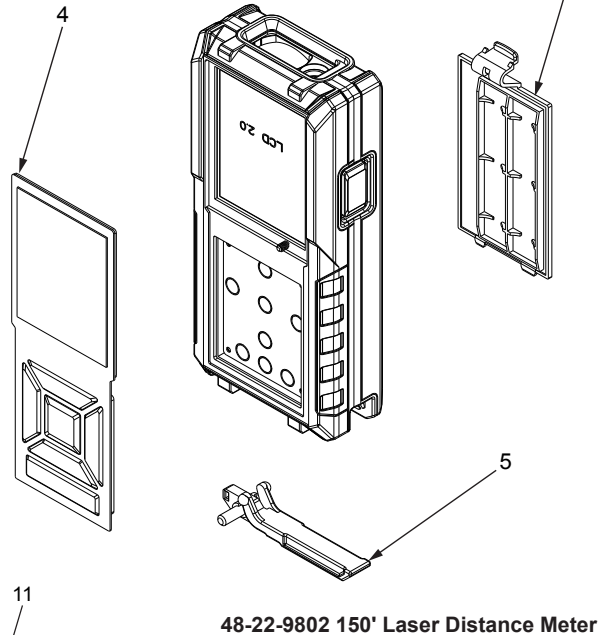
**EXAMPLE:**

00 0

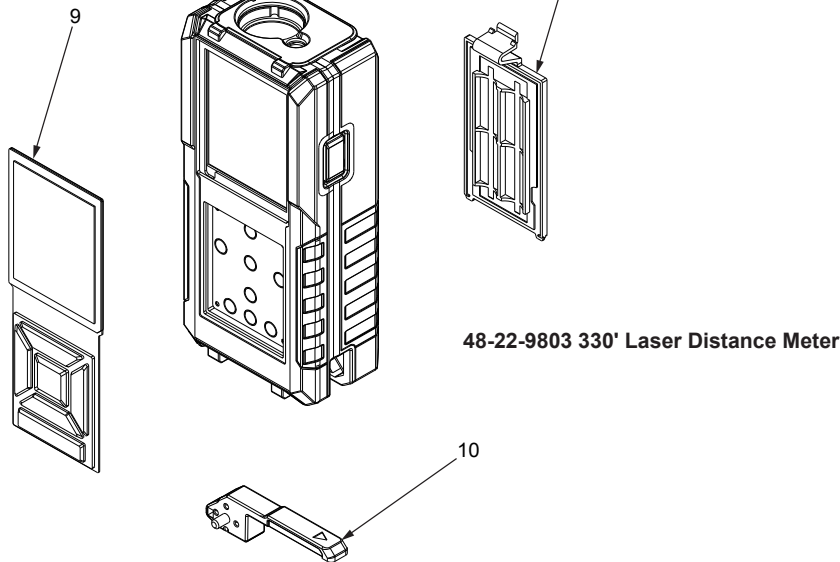
Component Parts (Small #)  
Are Included When Ordering  
The Assembly (Large #).



**48-22-9801 65' Laser Distance Meter**



**48-22-9802 150' Laser Distance Meter**



**48-22-9803 330' Laser Distance Meter**

| FIG. | PART NO.   | DESCRIPTION OF PART           | NO. REQ. |
|------|------------|-------------------------------|----------|
| 1    | 31-21-0220 | Battery Door                  | (1)      |
| 2    | 42-70-0285 | Belt Clip                     | (1)      |
| 3    | 12-20-0517 | Service Nameplate (Not Shown) | (1)      |
| 4    | 45-03-0170 | Screen w/ Buttons             | (1)      |
| 5    | 44-10-0011 | Lever                         | (1)      |
| 6    | 31-21-0225 | Battery Door                  | (1)      |
| 7    | 12-20-0518 | Service Nameplate (Not Shown) | (1)      |
| 8    | 42-55-0039 | Fabric Case (Not Shown)       | (1)      |
| 9    | 45-03-0180 | Screen w/ Buttons             | (1)      |
| 10   | 44-10-0013 | Lever                         | (1)      |
| 11   | 31-21-0230 | Battery Door                  | (1)      |

| FIG. | PART NO.   | DESCRIPTION OF PART           | NO. REQ. |
|------|------------|-------------------------------|----------|
| 12   | 12-20-0519 | Service Nameplate (Not Shown) | (1)      |
| 13   | 42-55-0041 | Fabric Case (Not Shown)       | (1)      |

**FIG. NOTES**

3, 7, 12 A clean, dry surface is essential for proper performance for any adhesive system. The area intended for application of any adhesive label or nameplate must be prepared by cleaning with isopropyl alcohol. The solvent is to be applied with a clean, lint free applicator and the surface allowed to dry before applying the label or nameplate.