

Mul-T-Lock 2016 Product Catalog

Mul-T-Lock High Security & Access Control Solutions

Effective January 1, 2016

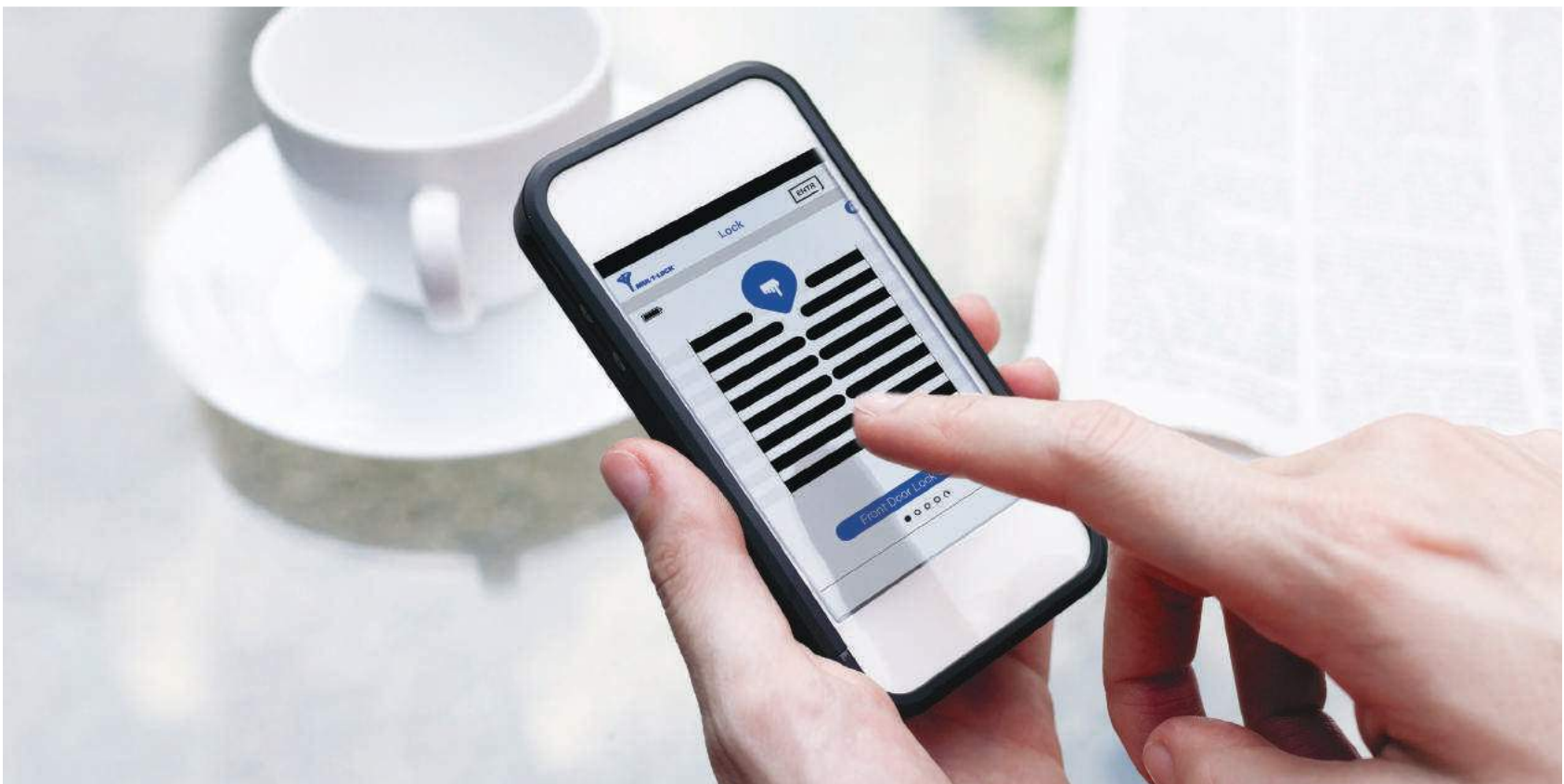


TABLE OF CONTENTS

Introduction	1	Grade 1 Hercular® Deadbolts	65
How to Order	4	Hercular® Anti-Ligature & Latch Locks	66
Multiple Platforms – A Security Level for Every Need	6	Grade 2 Cronus® Deadbolts	67
MT5®+ Platform Introduction	7	Locksets & Hardware	68
Interactive®+ Platform Introduction	8	Rim Locks	69
Integrator® Platform Introduction	9	Mortise Locks	70
Access Control, Keyless Entry & Smart Solutions	10	Lever & Knob Locks	71
WatchLock™	11	Utility, Furniture & Retail Locks	73
Traka® Key & Asset Management Solutions	14	Padlocks	76
ENTR™ Smart Lock Solution	16	ArmaD Locks	79
Yale® Key Safes & Boxes	18	Mul-T-Lock Junior	82
CLIQ® E-Cylinders & Smart Key Solutions	20	Mul-T-Lock Parts	84
SMARTair® Access Control Solutions	26	Cylinder Parts - Pins	86
SMARTair® E-Motion Electronic Cabinet & Locker Locks	32	Cylinder Parts	100
Yale® Shine™ Glass Digital Door Locks	36	Hercular® Deadbolt Parts	138
Code-It™ Electronic Pushbutton Levers	38	Anti-Ligature Deadbolt & Gate Latch Lock Parts	142
GotU®+ Digital Door Viewers	40	Top Guard® Parts	143
Mul-T-Lock Keys, Keying Options & Services	42	Utility & Furniture Lock Parts	144
Keys & Cards	43	Padlock Parts	160
Services	47	Key Cutting Machine Parts	170
Machinery, Pinkits & Tools	48	Standard Ordering Form	174
Locksmith Tools	49	Master Keying Information	175
Cylinders	51	Key & Cylinder Maintenance	178
Mortise Cylinders	52	Warranty	180
Mogul Cylinders	52	Conditions of Sale	182
Rim Cylinders	53	Available Finishes	187
Large Format Interchangeable Cores	53		
Knob, Lever and Deadbolt Replacement Cylinders	54		
Foreign Cylinders	62		
Deadbolts & Deadlatches	64		



Established in 1973, Mul-T-Lock is a worldwide leader in the developing, manufacturing, and marketing of high security products for Institutional, Commercial, Industrial, and Residential customers. Mul-T-Lock holds hundreds of patents for our innovative products, which include mechanical cylinders, locks and padlocks, electromechanical and access control locking systems, automatic assembly and key cutting machines, and complementary accessories. With a highly skilled workforce of nearly 600 employees, Mul-T-Lock's factories are fully automated, using state-of-the-art technologies, including robotics and customized machinery, the majority of which is manufactured in-house.

As an integral member of the ASSA ABLOY group (the global leader in door opening solutions), Mul-T-Lock's international experience has earned Mul-T-Lock a highly esteemed and distinguished position within ASSA ABLOY as a rare global brand. Mul-T-Lock's global presence, our understanding of security needs from all around the world and our dedicated customer support team enable us to offer comprehensive service for our partners and consumers.

We distribute our vast arsenal of field proven, high security solutions in more than 100 countries and are equipped to support over 100 million end users through the auspices of 25,000 Authorized Service Centers throughout the world. All Mul-T-Lock products comply with the toughest international standards - UL, ANSI, ASTM, CEN, VDS, SKG and many more. Mul-T-Lock has received many accreditations, including ISO 9001/2000, and ISO 14001, holding true to our commitment to customers and employees.

Attention to product quality and design, as well as outstanding commitment to customer service and support have made Mul-T-Lock one of the leading companies in the industry and one of the fastest growing high security manufacturers in the world.



The Benefits of Mul-T-Lock High Security

Patented Key Control

Protected by many international patents and strict, factory key control regulations, Mul-T-Lock's Key Control Systems are designed to hinder unauthorized key duplication. Duplication of Mul-T-Lock keys is only permissible at authorized service centers and on genuine Mul-T-Lock key cutting machines.

Pick, Drill and Bump Resistance

Mul-T-Lock products are designed to withstand various attempts at forced entry. Mul-T-Lock's unique telescopic pin tumbler mechanism will frustrate even the most experienced lock picker. Ten- and eight-pin cylinder designs enhance the level of security by requiring a dual shear line match in order for the cylinder to operate. Plus, each cylinder incorporates hardened steel inserts in strategic areas to offer a high level of drill resistance. In addition, advanced protective elements such as mushroom and split plug pins, interlocking telescopic pins and strict key control procedures virtually eliminate the threat of bumping.

One Key - Endless Possibilities

Mul-T-Lock manufactures thousands of locking products to offer the user a level of security which is second to none. At the same time, Mul-T-Lock products offer the convenience of a single key design for all of our products. Users will find ease in their capability to open everything from a padlock to a file cabinet cylinder to the deadbolt on their front door, all with a single key. Mul-T-Lock products can also be incorporated into user-specific keyed different, keyed alike, or master keyed systems that can allow for limited access for specific users, and complete access for others. And taking the concept to the next level still, Mul-T-Lock's Electronic Door Solutions (EDS) Platforms create even more opportunities for convenience and control. Users can rely on Mul-T-Lock solutions to create integrated systems with mechanical, electronic, electromechanical and access control elements exactly where each technology is needed, all while accessing the entire system with just a single key!

Ready for Any Challenge

Mul-T-Lock prides itself on the manufacturing of comprehensive, creative locking solutions, and unprecedented speed to market. Nearly every component of our product portfolio exists through a need from our customers. Balanced by helpful Sales, Customer Support, and determined R&D and Engineering Departments, Mul-T-Lock is here to satisfy any demand, as fast as we possibly can. No application is too small. No master key system is too large. With our unrelenting dedication to finding the perfect high security solution for all of our customers' needs, Mul-T-Lock is truly, ready for any challenge!



Mul-T-Lock Product Range

Mul-T-Lock is a global player in the realm of high security locks. Our vast product line extends to locks, padlocks, and cylinders - both foreign and domestic. High security locking solutions for American, Scandinavian, Japanese, and many European locksets, all of which can be incorporated into a single keying system, are just part of Mul-T-Lock's impressive product portfolio.

» ACCESS CONTROL & SMART SOLUTIONS

In addition to our superior mechanical locking systems, Mul-T-Lock has developed an impressive line of Electronic Door Solutions. CLIQ® e-cylinders offer a wire-free method of bringing convenient key scheduling, refreshing, deactivation, event logs and more to virtually any opening. SynerKey® and SynerCLIQ® dual credentials combine key and fob functionality for ultimate convenience. SMARTair® access control offers fully integrated locking solutions for every application. Plus, keyless entry products and accessories such as the Code-it electronic code handle and Digital Door Viewer lend user-friendly innovation and efficiency.

» CYLINDERS

Mortise, Rim, and Key in Knob Cylinders headline Mul-T-Lock's comprehensive line of retrofit solutions. Available for a wide range of Residential, Commercial, Industrial, and International locksets, each is designed to offer an affordable upgrade to pick, drill and bump resistance, as well as patented, restricted key control to almost any existing lockset. In addition, Mul-T-Lock carries Large Format Interchangeable Cores, Mogul Cylinders, and a variety of Profile Cylinders to fit multiple applications.

» DOOR LOCKS

Mul-T-Lock's line of high security door locks has been spearheaded by the unique Hercular® Deadbolt. Utilizing superior strength and ease of installation, the Hercular® Deadbolt has set new standards in high security locking. Constructed of solid brass and hardened steel, the Hercular® deadbolt is recognized by many as the best deadbolt on the market today.

Mul-T-Lock's door lock family also includes Mortise Locks, Knob & Lever Cylindrical Locks, and Jimmy-Proof Locks, all of which include Mul-T-Lock's patented cylinder and are designed to offer a complete high security package.

» UTILITY & FURNITURE LOCKS

Mul-T-Lock offers a multitude of products for those small spaces and specialty areas that require the same level of protection as a front or back door. File cabinets, desk drawers, and storage cabinets may sometimes contain sensitive items, such as classified documents, confidential materials, cash, and pharmaceutical items. So Mul-T-Lock's Cam Locks, Drawer Locks, and Cabinet Locks have been designed to incorporate the core principles of patented key control and the pick, drill and bump resistance inherent in all Mul-T-Lock products.

» PADLOCKS

Mul-T-Lock's various padlock lines are world renowned, and recognized by many institutions. Whether it's the new design of the new G Series Line (NG), the familiarity of our T-Series Line, the versatility of the C-Series Line, or the brute strength of our new robust E-series Line, Mul-T-Lock carries the best solution for almost any padlock application. Also available are many accessories and specialty designs, which provide comprehensive options for special applications.

» MULTIPOINT LOCKS

Mul-T-Lock offers a wide variety of multipoint locks for various applications, including some that mortise into the core of wood or metal doors, as well as several external, surface-mounted models. The extensive full range of these multipoint locks can be found in our full global catalog and ordered through special order request.



How To Order

We aim to make ordering as simple and convenient as possible for you. Take advantage of priority processing when you place your orders via email – send orders and/or pricing requests to your territory manager or to orders@mul-t-lockusa.com. For your convenience, fillable versions of our ordering form (located in the back of this book) may be obtained by contacting your territory manager or our customer service department. While this form may be useful in helping to keep your request organized, it is not required. You may submit your orders with or without an order form; simply be sure to include the following information:

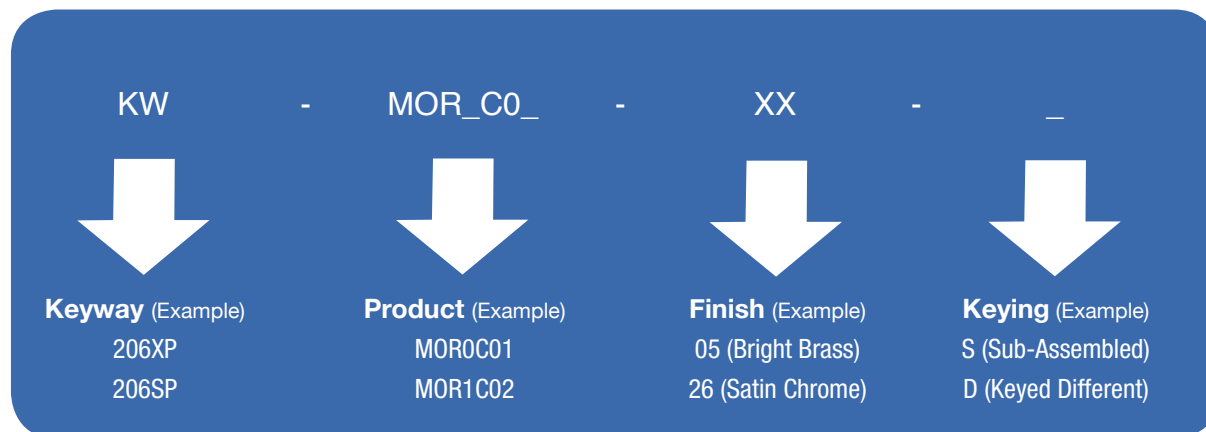
- » Your company name and the point of contact's first and last name
- » Your customer number (you can find this by referring to your monthly statement or contacting our office)
- » The complete billing address and shipping address for each order
- » All part numbers, keyways, finishes, keying variations and quantities of the items you wish to order
- » Your preferred shipping method (ground, overnight, etc.)
- » Whether or not you prefer expedited shipping and if so, your required date of delivery
- » A telephone number at which you can be reached
- » If paying by credit card: the name on the card, card number, expiration date, name on the card and CVV security code (located on the back of the card) **Credit Card fees will apply.**

While email order submission is preferred and earns your order priority processing for faster delivery, you may also place your orders by contacting your territory manager directly, calling our customer service department at 1-800-MULTLOCK Monday through Friday 9:00 a.m. – 5:30 p.m. (Eastern Time) or by faxing to 973-778-4007.

Please keep in mind that we will always do our best to expedite your order in a timely and professional manner. However, due to extensive demand, it is not always possible for us to ship orders within a single day. You may request Expedited Shipping for an additional cost. When placing your order, simply request "Expedited Shipping" and tell us the in-hand date you need your items by. We will then advise if Expedited Shipping services are available to meet your needs. Please note that additional Expedited Shipping fees will apply. Although we cannot guarantee that any order will ship on the same day, we can assure you that we will try to accommodate each and every request to the best of our ability. Please note that all ETAs will depend upon order lineup and stock availability.

» Understanding the Part #s:

Mul-T-Lock has made it very easy for all of our customers to use logical part #s when placing orders. The following is an example of one of our part #s:



Should you have any questions or require any assistance when placing orders, one of our representatives will be happy to assist you.

Mul-T-Lock Keying Options

Dedicated to satisfying customers' needs, Mul-T-Lock offers many convenient keying options. These options range from traditional to innovative and are designed to offer convenience, control and peace of mind.

» KEYED DIFFERENT (D)

Each product is operated by only its own key. KD products are supplied with 2 nylon head keys & 1 key order card per product.

» KEYED ALIKE (A)

Multiple products in a system can be keyed to the same locking combination, allowing just one key to open all of them. KA products are supplied with 2 nylon head keys per product & 1 key order card per combination.

» MASTER KEYED (M)

Keys can be issued to open just one, many or all doors, depending upon the key holder's authorization level. MK products are supplied with 2 nylon head keys per product & 1 master key system card per system (card sent with initial order only—only 1 card per system is issued). When ordering new master key systems, customers must approve layout prior to order processing. When ordering additional products for an existing system, customers must specify the master key system number, part # of products needed, quantity of product(s), keying code for each product and the quantity of keys required per code. Additional labor charges will apply.

» 3 IN 1 KEYING (3IN1)

Lost keys or any circumstances that might require a user to immediately change a lock combination are easily resolved by 3in1 keying. Each 3in1 product is supplied with 4 nylon head keys (2 green, 1 yellow & 1 red) and one key order card per combination. Initially operated by the green key, if a change is needed, users can simply insert the yellow key and turn it in the lock. This process alone changes the lock combination so that it may no longer be opened by the green key and can be operated by the yellow key only. If the need to change the combination arises again, this process is simply repeated with the red key, nullifying the operating capabilities of the yellow key now and allowing operation only by the red key. Additional labor charges will apply.

» FLEX CONTROL KEYING (F)

A mechanical key can be temporarily authorized or unauthorized by simply turning one of two user keys in the lock: one key means go, the other says no! FleX Control keyed products are supplied with 5 key keys (2 white, 1 green, 1 red, and 1 blue) and 1 card per combination. The green (go) key and the red (no) key are for the system owner; these keys are used to allow or lock out a guest key. The white (neutral) keys are for those who should always have access but should not impact the functionality of the guest key, while the blue (guest) key can be distributed to visitors. The system owner then simply turns the green key in the lock to allow the blue key to open the same door or turns the red key in the lock to lock out the blue key. Owners can lock out and reauthorize the blue key, as often as necessary without having to change the lock combination and without affecting the authorization of the white key, which will always work regardless of the blue key's status. Great for applications which may require the ability to grant and revoke access for employees, consultants, office temps, babysitters, housekeepers, renovation workers and more on a continued basis. Additional labor charges will apply. Currently only available for Interactive+.

» CHANGEABLE CONSTRUCTION KEYING (C)

Temporarily preps multiple cylinders on construction job sites for operation by a single key. While under construction, one master operates all of the cylinders. Then, when a tenant moves in, a special change-over key is inserted, which alters key access, disallowing the construction master to ever work again and prepping the cylinder for operation by the user key only. Construction keyed products are supplied with 2 nylon head keys per product & 1 key order card per product plus 1 master key & 1 changeover key per site. Additional labor charges will apply.

» ONE-WAY CYLINDER KEYING (O)

Allows for the issuance of one key that can ONLY lock, one key that can ONLY unlock and one key that can BOTH lock and unlock the cylinder. Perfect for applications where one key holder should only have authorization to lock, while another should only have authorization to open and yet another can have the authorization to perform both functions. One way keyed products are supplied with 2 nylon head cut keys per product and 1 key order card per product. Additional labor charges will apply.

Multiple Platforms: A Security Level for Every Need

» **MT5®+**

5th-Generation High Security Platform
Multiple Locking Elements, Including the Patented Alpha Spring
Pick, Drill and Bump Resistant
Magnetic Strip Key Order Cards for Enhanced Key Control

» **INTERACTIVE®+ / INTERACTIVE**

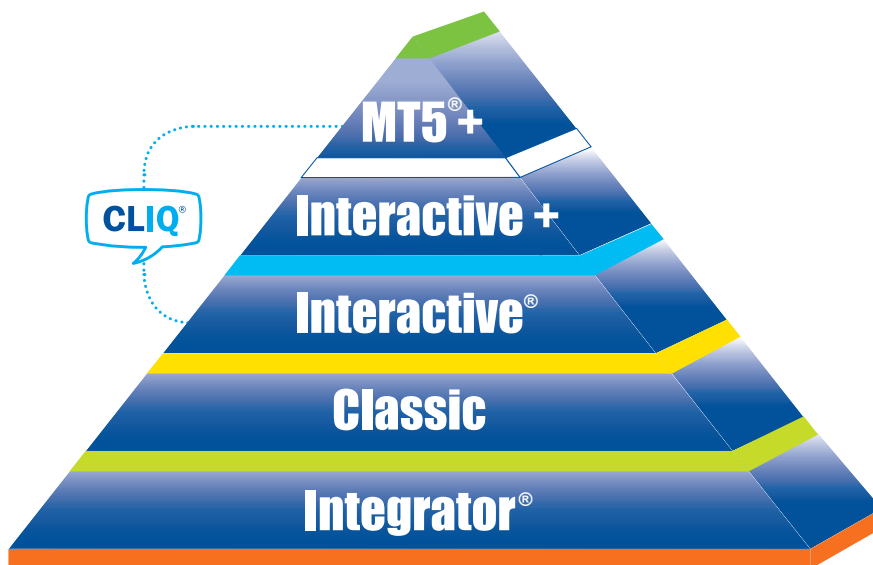
High Security Platform
Multiple Locking Elements, Including the Patented Interactive Disc
Pick, Drill and Bump Resistant
Key Order Cards for Enhanced Key Control
Interactive available at a higher price.

» **CLASSIC**

Original High Security Platform
Five-Chamber, Ten Telescopic Pin Locking Mechanism
Pick, Drill and Bump Resistant
Key Order Cards for Key Duplicating Convenience

» **INTEGRATOR®**

Key Control Platform
Locking Element Includes Unique Patented Pins
Can Be Integrated Into 7x7 Cylinder System for Dual Level Security
Key Order Cards for Enhanced Key Control



MT5®+ PLATFORM

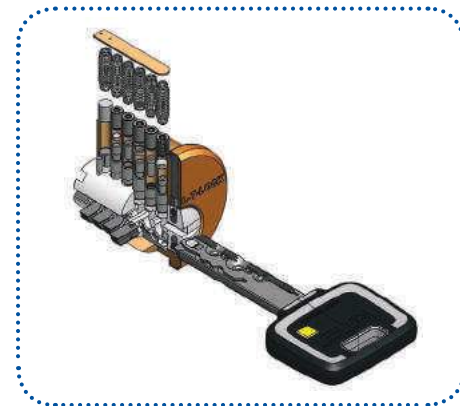
Mul-T-Lock's fifth patented state-of-the-art High Security platform, the MT5® offers exceptional 21st-century security. In the USA, Mul-T-Lock offers the most advanced version of this innovative platform, the MT5®+. The unique capacities of the MT5®+ are based upon three decades of experience and include several breakthrough features.

MT5®+ is a top-tier, triple locking mechanism high security platform. It provides enhanced key control by utilizing patented keys and requiring presentation of a magnetic strip key order card for key duplication by a unique card swipe key cutting machine. MT5®+ also offers enhanced resistance to picking, drilling, bumping and other forms of lock manipulation. The MT5®+ platform is available with CLIQ® electromechanical technology.

Choose this solution for applications that require advanced physical security and protection against unauthorized key duplication.

» FEATURES

- A UL 437 listing and resistance against tampering techniques such as picking, drilling and bumping
- A new configuration of Mul-T-Lock's unique telescopic pin technology
- A patented mobile element, the Alpha Spring, at the tip of the key which engages a unique pin at the rear of the locking mechanism to create an additional shear line
- An additional locking bar mechanism
- A huge number of possible locking combinations, made possible by utilizing the MT5+'s three different locking mechanisms
- Unique high security magnetic strip key order cards which must be swiped through a dedicated KC5® key cutting machine for key duplication
- Extensive product range – can be incorporated into many Mul-T-Lock products
- Exclusive keyway options
- Compliance with the most stringent international standards
- Vastly extensive master keying capabilities to support very large and complex system needs, which may even incorporate hierarchy and matrix design requirements within the same suite
- National Keyway is 616B
- Sub assembled products for dealer, not institutional, keyways is 853B keyway
- Dealer Keyways always begin with 6__B (i.e. 675B)



INTERACTIVE®+ PLATFORM

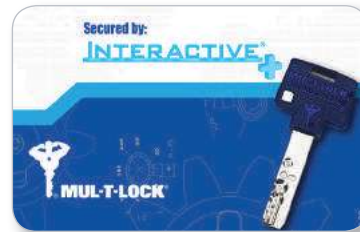
Mul-T-Lock's Interactive®+ platform builds on the foundation and innovation of the Interactive® system, adding new features for enhanced effectiveness. This latest technology combines trusted reliability and all new elements for continued security.

Interactive®+ is a reliable, double locking mechanism high security platform. It provides enhanced key control by utilizing patented keys and requiring presentation of a key order card to an authorized dealer for key duplication by a unique locksmith-operated key cutting machine. Interactive®+ also offers enhanced resistance to picking, drilling, bumping and other forms of lock manipulation. The Interactive®+ platform is also available with CLIQ® electromechanical technology.

Choose this solution for applications that require physical security and protection against unauthorized key duplication.

» FEATURES

- A UL 437 listing and resistance against tampering techniques such as picking, drilling and bumping
- A telescopic pin tumbler mechanism that requires the simultaneous alignment of both internal and external shear lines for plug rotation
- A patented mobile element, the Interactive® disk, within the key to create an additional shear line
- Key control key ordering authorization cards which must be presented to an authorized Mul-T-Lock dealer for key duplication
- Complete product range – can be incorporated into nearly all Mul-T-Lock products
- Backwards compatible with older Interactive® systems (Interactive®+ keys can be used in both newer Interactive®+ and older Interactive® cylinders, while Interactive® keys will only operate original Interactive® cylinders)
- Restricted keyway options
- Extensive master keying capabilities to suit the needs of multiple applications and system needs
- National Keyway is 206SP
- Sub assembled products are X keyway. Example: {206XP; 236XP, etc...}
- Service keyed products will always be S version of any keyway



INTEGRATOR® PLATFORM

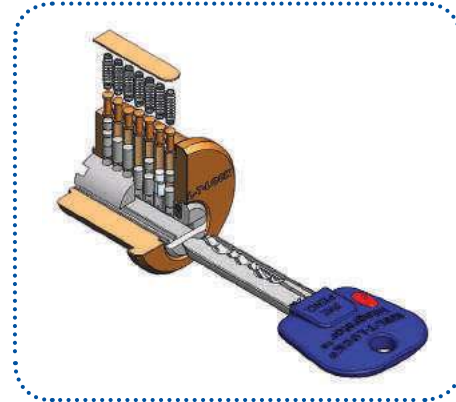
Mul-T-Lock's Integrator® platform is one of the many Mul-T-Lock patented options utilizing patent-protection and key control to offer greater security against unauthorized key duplication. Integrator® offers a cost-effective and more exclusive alternative to other more common restricted key systems.

Integrator® is a patented key, standard security platform. It provides enhanced key control by utilizing patented keys and requiring presentation of a key order card to an authorized dealer for key duplication by a unique locksmith-operated key cutting machine but does not offer physical high security. The Integrator® platform can be used in a combined system with non-patented 7x7® platform products in order to create a two-tier security system which utilizes patented cylinders and keys in some areas and non-patented components in others, all operable by Integrator® keys.

Choose this solution for applications that require protection against unauthorized key duplication in all or some areas and do not require strong physical high security.

» FEATURES

- A unique, high precision seven-pin tumbler mechanism
- A patented key with a copy-protected oval cut, available in three different configurations: Internal, External and Twin, activated by a unique launcher pin within the cylinder
- Key control key ordering authorization cards which must be presented to an authorized Mul-T-Lock dealer for key duplication
- Common product range – can be incorporated into common Mul-T-Lock products
- Some keyway options
- Master keying capabilities to suit the needs of multiple applications and system needs



MUL-T-LOCK

ACCESS CONTROL, KEYLESS ENTRY & SMART SOLUTIONS



Mul-T-Lock smart solutions include versatile and innovative electronic locking devices and accessories. The GPS enabled WatchLock is an intelligent padlock which offers reporting and alerts regarding the padlock's location and open/close status. CLIQ® E-cylinders & Smart keys lend access control features without the expense and labor of hard-wiring. SMARTair® access control provides real-time door management for virtually any need. The Code-It electronic code handle enables simple keyless locking and re-entry, and the Digital Door Viewer lets users know who's there before the door is opened.

▶ WATCHLOCK™ GPS-ENABLED PADLOCK

Mul-T-Lock's GPS-enabled WatchLock™ is a unique combination of a high security padlock with GPS locating system and cellular-based communication capabilities which provides real-time event and location information through email, text message and web-based applications. WatchLock™ is the ultimate portable gatekeeper, a solution that both guards and reports.

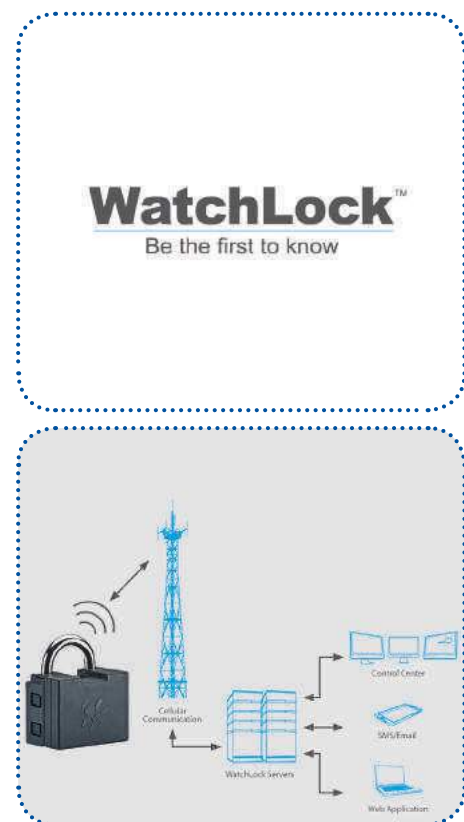
Choose this smart solution to secure traveling cargo or remote stationary locations for easy real-time alerts and tracking from anywhere to anywhere.

» FEATURES

- SMS, Email, and online reports for:
 - Pre-scheduled "I am alive" or tracking messages
 - Opening / Closing alerts
 - Location (including in/out of "geo fence")
 - Missing reporting on the predefined schedule
 - Low battery / battery replaced
 - Impact (optional)
- Through installer application, you can define:
 - The name of the WatchLock
 - Network information
 - Frequency of location check and scheduled reporting
 - Define "geographical fences" (if relevant)
 - The destination for sending alerts (email / SMS)
- Continuous monitoring of remote or traveling assets allows quick response to any deviation from routine
- High level of physical security
- Full audit trail for use in formal documentation
- Reduces guarding and supervision expenses
- Prevents theft by both intruders and staff

» SPECIFICATIONS

- Robust Modular Design with Boron Steel Shackle
- Available with all Mul-T-Lock High-Security Mechanical & CLIQ Key Platforms
- Optional other mechanical platforms: Medeco ready, Abloy ready & Assa ready
- Electronic Bluetooth low energy opening
- Powered by rechargeable on board lithium-Ion 18650 battery
- Additional power pack for long-term deployments
- Operating temperature range -40 Celsius +85 Celsius
- Military Grade GSM/GLONASS and Multiband Global Cellular Electronic Components
- Web enabled self-activation portal: choose length of service from easy to use fleet center web activation portal <http://ACTIVATION.MUL-T-LOCKUSA.COM>
- Web-enabled management portal: operate, manage, and monitor all functionality remotely through FleetCenter management <http://WATCHLOCKFLEETCENTER.MUL-T-LOCKUSA.COM>



WatchLock™ GPS-Enabled Padlock

WatchLock reports status and whereabouts of padlock via email, SMS and web-based applications
 All GPS items require subscription to FleetCenter™. Go to: <http://Activation.Mul-T-Lockusa.com>



WatchLock™ GPS-Enabled Padlock

Part #	Description	MT5@+	Interactive@+	Integrator®	E-Cylinder (add to price)
KW-WL1-GP-3G	WatchLock-1 GPRS/GPS/Accelerometer / Battery / Charger	\$528.00	\$449.00	N/A	\$503.39
KW-WLP-GP-3G	WatchLock PRO GPRS/GPS/Accelerometer	\$410.59	\$349.00	N/A	\$503.39

For WatchLock PRO Batteries and Chargers are Sold Separately

Medeco & Abloy-Ready WatchLock™

Part #	Description	List Price
PPL-WL1MED-GP-3G	WatchLock for Use with Medeco Cylinder (Part # 51X0200-XX-XXX)	\$449.00
PPL-WL1ABL-GP-3G	WatchLock for Use with Abloy Cylinder (See Abloy Distributor for Part #)	\$449.00
PPL-WL1ASA-GP-3G	WatchLock for Use with ASSA Cylinder (See ASSA Distributor for Part #)	\$449.00

All WatchLock models above are supplied with 2 batteries & a charger
 WatchLock requires activation and monthly service fees. Please visit <http://Activation.Mul-T-Lockusa.com> for current pricing.

GPS Tracking Units

Part #	Description	List Price
GPS-K7000-VEH-TRK	K7000 (OBDII) VEHICLE GPS TRACKER	\$371.43
GPS-K8000-AST-TRK	K8000 ASSET GPS TRACKER	\$312.24
GPS-K9000-KEY-TRK	K9000 KEY GPS TRACKER	\$120.88

GPS Trackers require activation and monthly service fees. Please visit <http://Activation.Mul-T-Lockusa.com> for current pricing.

WatchLock™ GPS-Enabled Padlock

WatchLock reports status and whereabouts of padlock via email, SMS and web-based applications.
 WatchLock may only be sold to authorized dealers and distributors who meet the requirements to become a WatchLock distributor.



WatchLock™ Components & Accessories

Part #	Description	List Price
PPL-WL1-BATTERY	WatchLock 1 Battery	\$30.90
PPL-WL1-CHARGER-1	WatchLock 1 Battery Charger Single	\$80.00
PPL-WL1-USBCABLE	WatchLock 1 USB Cable	\$295.00
PPL-WLP-BAT-REG	WatchLock PRO Battery Standard	\$30.90
PPL-WLP-BAT-COLD	WatchLock PRO Battery Cold Weather	\$50.00
PPL-WLP-CHARGER-2	WatchLock PRO Battery Charger Dual	\$40.00
PPL-WLP-CHARGER-4	WatchLock PRO Battery Charger Quad	\$70.00
PPL-WLP-USBCABLE	WatchLock PRO USB Cable	\$295.00
PPL-WLP-BAT-CASE	WatchLock PRO External Battery Pack (Less Batteries)	\$120.00
PAD-ACC-WL1-JACKET	Silicon Weather Jacket for WL1 WatchLock	\$40.00
PAD-ACC-WLP-JACKET	Silicon Weather Jacket for WL PRO WatchLock	\$40.00

GPS Trackers require activation and monthly service fees. Please visit <http://Activation.Mul-T-Lockusa.com> for current pricing.

WatchLock™ Presentation Kit

Part #	Description	MT5@+	Interactive@+
ADV-___/BAS-WL-KIT	WatchLock Presentation Kit: 1 Basic & 1 Patented Keyway WL1 w/ Jacket IN Case	\$1,203.00	\$1,139.00

Presentation Kit Contains 2 Patented Keyways WatchLocks (1 MT5+ and 1 Interactive+), 2 Batteries, 1 Charger and Operating Keys in Mul-T-Lock WatchLock Carrying Display Case.

▶ TRAKA® KEY & ASSET MANAGEMENT SYSTEMS

Mul-T-Lock offers Traka asset management solutions to easily transform keys and cards into clever credentials. Traka's smart solutions help to better protect important assets by providing intelligent key and equipment management access control. Traka's simple yet sophisticated cabinets, lockers and drawers create accountability, improved efficiency, reduced downtime, less damage, fewer losses, lower operating costs and significantly less administration.

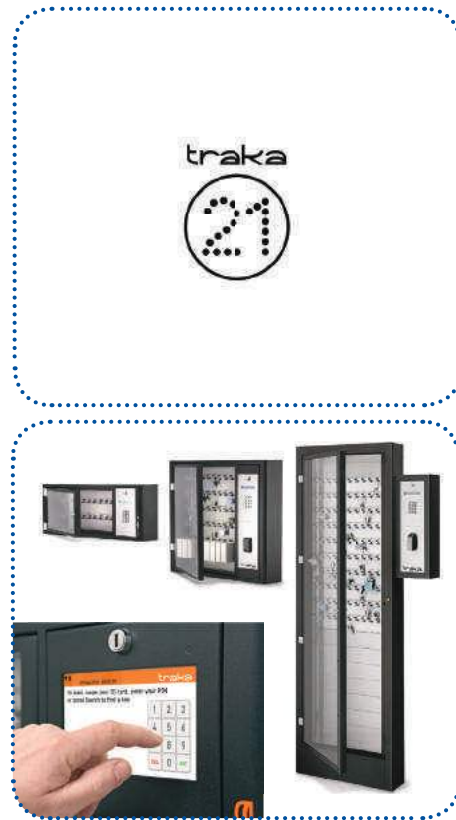
Traka systems work by using a robust security seal to attach keys or cards to an RFID iFob which locks the credentials into a designated receptor within a Traka cabinet, locker, or specialized unit. Users request access to the unit by entering a PIN code, using a magnetic ID or proximity credential, or via biometric fingerprint. If the request is valid, the door to the unit opens, giving the user permission to remove certain iFobs from assigned positions, view which credentials are out and who has taken them, and to return their credentials to their appropriate position. Choose from a wide range of Traka solutions, including the convenient plug and play Traka 21 standalone smart key cabinet to secure access to buildings, facilities, equipment, vehicles and more.

» FEATURES

- Stand-alone, plug & play or web-access models available
- Utilizes advanced RFID technology
- Touchscreen interface
- PIN access to designated and individually locked into place keys or keysets
- Card reader and biometric access options also offered
- Keys are securely attached using special security seals
- Simple to configure and update
- Cabinets include concealed robust fixing points for secure wall mounting
- Mains operated with optional battery backup

» SPECIFICATIONS

- User, key and access rights administration
- Screen-based audit trail and reporting capability or export via USB port
- Robust, long-life iFobs with security seals
- Locking receptors with LEDs
- Robust, compact steel housing eliminates exposed hinges and access points
- Manual override and door release functions in case of emergency
- Audible alarms



Traka® Key & Asset Management Solutions



Traka® Smart Key Control Cabinets

Part #	Description	List Price
TRK-21-FF-7-0370	Traka 21 Standalone Touchscreen Cabinet w/ 21 iFobs and Seals	\$2,499.00
TRK-TKC1-0316M10NL	Traka Touch Cabinet (Standalone or Web Management) M 10 keys Non-Locking	\$4,031.00
TRK-TKC1-0314M10L	Traka Touch Cabinet (Standalone or Web Management) M 10 keys Locking	\$4,667.50
TRK-TKC1-0320M20NL	Traka Touch Cabinet (Standalone or Web Management) M 20 keys Non-Locking	\$4,561.50
TRK-TKC1-0318M20L	Traka Touch Cabinet (Standalone or Web Management) M 20 keys Locking	\$5,834.50
TRK-TKC1-0328S40NL	Traka Touch Cabinet (Standalone or Web Management) S 40 keys Non-Locking	\$6,726.75
TRK-TKC1-0326S40L	Traka Touch Cabinet (Standalone or Web Management) S 40 keys Locking	\$9,272.75
TRK-TKC1-0332S60NL	Traka Touch Cabinet (Standalone or Web Management) S 60 keys Non-Locking	\$7,787.50
TRK-TKC1-0330S60L	Traka Touch Cabinet (Standalone or Web Management) S 60 keys Locking	\$11,606.50
TRK-TKC1-0288L100NL	Traka Touch Cabinet (Standalone or Web Management) L 100 keys Non-Locking	\$10,608.00
TRK-TKC1-0286L100L	Traka Touch Cabinet (Standalone or Web Management) L 100 keys Locking	\$16,973.00
TRK-TKC1-0296L180NL	Traka Touch Cabinet (Standalone or Web Management) L 180 keys Non-Locking	\$14,851.25
TRK-TKC1-0294L180L	Traka Touch Cabinet (Standalone or Web Management) L 180 keys Locking	\$26,308.00

Many additional traka models including cabinets, lockers and drawers are available through special order.

Contact your local Territory Manager for additional information.

Changes / Cancellation of Orders: Changes or cancellations to key management system orders that have been released to production will be subject to a charge of 50% unless replaced by a new order and otherwise agreed by both parties. Changes or cancellations to locker system orders in which drawings have been approved by purchaser and is released to production will be subject to a 100% cancellation fee unless otherwise agreed by both parties. Additional handling charges may be added to Customer's original order in the event of cancellation. All change requests must be submitted in writing to orders@trakausa.com and are subject to pricing changes.

Traka® Smart iFobs

Part #	Description	List Price
TRK-21-FF-7-0394	Traka 21 RFID iFob	\$30.00
TRK-T-CC-1-0303	Traka Touch RFID iFob	\$60.00

Traka® Security Seals

Part #	Description	List Price
TRK-21-FF-7-0393	Traka Robust One-Time Security Seals for Traka 21	\$6.00
TRK-T-FF-7-0303	Traka Robust One-Time Security Seals for Traka Touch	\$6.00

▶ ENTR™ SMART LOCK SOLUTION

Easy to install, maintain and use, ENTR™ can be retrofitted onto existing doors, giving customers an upgraded solution in no time and with minimal effort. With ENTR's App, users can activate their locks remotely from their smartphone, giving them control and management capabilities. Moreover, you'll be able to offer your customers a range of credentials to upgrade their ENTR™ solution and increase your sales opportunity.

ENTR™ is ideal for both residential and office use.

With a range of credentials to upgrade your customer's ENTR™ solution, you'll be able to increase your upselling opportunities.

» FEATURES

- Transforms any door into a smart one with a simple and affordable retrofit design.
- Ideal for most types of doors
- Available for deadbolt and European type cylinders
- Easy to install – no drilling or wiring
- Battery operated – Eco friendly rechargeable battery
- Automatic locking
 - Variety of credentials available Phone application for both iOS and Android
 - Remote control
 - Keypad
 - Biometric fingerprint reader
- Secure wireless communications – BLE AES128 encryption standard
- Mechanical key override

» SPECIFICATIONS

- Bluetooth Smart Technology between the door unit and Smartphone – Bluetooth 4.0
- Communication Frequency between the door unit and credentials – 2.4 GHz
- Battery Type – Rechargeable Lithium-ion
- Battery Power – 7.4V 2600mAh
- Charging Input – 12VDC @ 1A
- Mobile App Support – iOS 7 and up and Android 4.3 and up





ENTR® Kit

Part #	Description	List Price
ENTR-KITB-EU-RC-WT	ENTR® Kit for European Cylinder	\$399.00
ENTR-KITB-HD-RC-BK	ENTR® Kit for Hercular Deadbolt	\$399.00

Available finishes are: WT (White) for Euro or BK (Black) for Deadbolt
 EU Kit Must Use Special ENTR Cylinder (see below)
 HD Kit Can Upgrade Existing Hercular or Use Special Hercular (see below)

ENTR®

Part #	Description	MT5®+	Interactive®+ / Classic	Integrator®	E-Cylinder (add to price)
KW-E33C35Z-XX	Cylinder for ENTR® European 33X35Z Cam	\$188.00	\$159.85	N/A	\$503.39
KW-E33G35Z-XX	Cylinder for ENTR® European 33X35Z Gear	\$193.94	\$164.85	N/A	\$503.39
KW-E33C45Z-XX	Cylinder for ENTR® European 33X45Z Cam	\$188.00	\$159.85	N/A	\$503.39
KW-E33G45Z-XX	Cylinder for ENTR® European 33X45Z Gear	\$193.94	\$164.85	N/A	\$503.39
KW-HDZ-XX	Hercular® ENTR® External 05 or 26 Finish	\$147.00	\$125.00	N/A	\$503.39
KW-HDZ-YY	Hercular® ENTR® External 09, 13, 19, 22 or 25 Finish	\$163.39	\$138.88	N/A	\$503.39
KW-HDZDEC-XX	Decorative Hercular® ENTR® External 05 or 26 Finish	\$151.76	\$129.00	N/A	\$503.39
KW-HDZDEC-YY	Decorative Hercular® ENTR® External 09, 13, 19, 22 or 25 Finish	\$168.09	\$142.88	N/A	\$503.39

ENTR® Accessories

Part #	Description	List Price
ENTR-CHARGER-HANG-E	ENTR Hanging Charger - Euro Cylinder	\$175.00
ENTR-CHARGER-HANG-D	ENTR Hanging Charger - Deadbolt	\$175.00
ENTR-CHARGER	ENTR Plug in Charger	\$75.00
ENTR-FP-READER	ENTR Fingerprint reader MTL	\$399.00
ENTR-KEYPAD	ENTR Wall reader basic wt Touchpad MTL	\$167.00
ENTR-RC-WT	ENTR Remote Control MTL	\$59.00
ENTR-MAGNET	ENTR Relock Magnet	\$10.00
ENTR-ADPT-MEDECO	ENTR Adapter Medeco® Maxim® Deadbolt	\$50.00
ENTR-RESET	ENTR Reset Tool	\$250.00

▶ YALE® ELECTRONIC KEY SAFES AND COMBINATION KEY BOXES

Mul-T-Lock offers Yale electronic key safes and convenient key boxes for more ways to keep keys and assets organized and accounted for. Electronic key safes that operate via code entry or key override are designed to hold 48 or 100 keys. Small and medium combination lock key boxes to store 20 or 46 keys are also available.

Choose these solutions when safe locking or simple key storage and security are required.

▶ FEATURES

- Two size safes available - to store 48 or 100 keys
- Safes operate via electronic keypad code entry (or mechanical override)
- Safes include adjustable key racks with removable indexing system
- Two size key boxes available - to store 20 or 46 keys
- Key boxes operate via combination lock
- Key boxes include labels to identify keys

▶ SPECIFICATIONS

- 48 Key Safe Dimensions:
External: 14 15/16 x 11 12/16 x 3 5/16 in.
Internal: 13 15/16 x 11 6/16 x 1 5/16 in.
Weight: 17.64 lbs.
- 100 Key Safe Dimensions
External: 21 9/16 x 13 12/16 x 5 1/8 in.
Internal: 21 3/16 x 13 5/16 x 3 1/8 in.
Weight: 28.67 lbs.
- 20 Key Box Dimensions:
4 14/16 x 6 1/4 x 3 1/8 in.
- 46 Key Box Dimensions:
11 12/16 x 9 7/16 x 3 1/8 in.



Yale® Key Safes and Boxes



Yale® Electronic Keypad Key Safes

Part #	Description	List Price
YAL-YKB-365-DB1	Yale® Keysafe Electronic 48 Hooks	\$200.00
YAL-YKB-550-DB1	Yale® Keysafe Electronic 100 Hooks	\$400.00

Yale® Combination Lock Key Boxes

Part #	Description	List Price
YAL-YKB-200-CB2	Yale® Key Box Small - Combination 20 Hooks	\$24.75
YAL-YKB-540-CB2	Yale® Key Box Medium - Combination 46 Hooks	\$39.75

MUL-T-LOCK CLIQ® / ECLIQ® PLATFORM

CLIQ® offers a complete range of wire-free e-cylinders, deadbolts, locksets, padlocks and utility locks, all of which install exactly as a mechanical device does—no wiring or hardware modifications required. CLIQ combines electronic and mechanical locking and brings access control features such as key scheduling, audit trail and more to virtually any opening.

eCLIQ offers a cost-effective and easy way to assign new access rights, no matter how many times your needs change. Locking cylinders can be individually programmed with time-limited access, using the programmer and the red programming key, so temporary rights for contractors and external service providers can be assigned quickly and easily. Lost keys no longer pose a security risk, as keys can be revoked electronically at any time.

User-friendly web-based software allows system managers to initiate changes and view audit trails from any authorized computer. Key holders can easily update and/or revalidate their credentials by inserting them into either a wall-mounted or mobile programming/refreshing device.

» FEATURES

- Offline system, no wiring
- Easy to install
- Cost-effective
- Compatible with a variety of lock types
- Audit trail report, up to 1000 last events
- Time-based authorization
- Electronic key cancellation, addition and replacement
- In-key battery
- Dust/water resistance
- User-friendly web-based software
- Ability to view audit trails and update keys from any authorized computer
- Multiple programming devices for stationary and mobile key updating

» SPECIFICATIONS

- 3DES encryption technology
- Key battery: CR2032 3V lithium battery
- Battery life: 2 years / 20,000 cycles
- Temperature range: -30oC to 70oC / -22oF to 158oF
- Cylinder installation time: approx. 5 minutes
- Cylinder length: 31x31 mm and up
- Warranty: 2 years
- IP58 rating for dust & water resistance
- Programming is performed via software and a programming device
- Software requirements: OS Windows 2000, Windows XP, Server 2000 or Windows Vista



CLIQ® ECLIQ® PROGRAMMING OPTIONS

CLIQ® lends convenience to system administrators and users by utilizing online software which can be accessed from any authorized computer and multiple models of key updaters, which allow key holders to instantly update their keys according to the administrator's changes as often as needed, regardless of their location and without having to present their keys to the system manager.

This accommodating solution fits any application that requires wire-free access control features, including: key scheduling, audit trail, instant key activation, rescheduling and/or disabling from afar and more. CLIQ® is ideal for consumers with multiple locations such as national or regional retail chains, companies with satellite office locations, multi-campus schools and more, as well as industrial and remote applications that cannot be wired and require programming from a different location.

» HOW CLIQ® PROGRAMMING WORKS

- CLIQ® Manager software offers a secure online application, accessible from any computer.
- One or more users may be assigned as system managers at administrator's discretion, each one equipped with a standard programming device.
- A system manager simply hooks a PD up to any computer and connects to a CLIQ Manager Software site (username and password protected).
- A system manager inserts a C-key into PD and makes authorization changes as needed to user keys such as time schedule updates, specific cylinder access addition or revocation, 24-hour access permission, etc. These changes will then be transmitted to the key holder in one of two ways:
 - The relevant site includes a Wall PD (updater). This wall-hung device is equipped with a power over Ethernet USB port which receives updates from the system manager via internet or intranet connection and a portal for user key insertion. The key holder simply inserts their key into the wall updater and their key authorizations will be instantly updated.
 - One or more key holders receive a Mobile PD (updater). This handheld device is equipped with a USB port for connection to a computer or Bluetooth connection through a cell phone. Key holders using this device will plug into their computer or cell phone and visit a website (separate from the website that hosts the CLIQ® Manager software), which will have been updated with the system manager's changes. The key holder simply inserts their key into the connected mobile updater, and their key authorizations will be instantly updated.



CLIQ® Electromechanical Locking Solutions

E-cylinders: wire-free solutions that give access control features like access right changes, audit trail, key disabling & more

Warranty requires that any CLIQ® solution used on exterior applications be purchased with rain protector - Please specify application at the time of purchase. Warranty also requires that all CLIQ cylinders be properly lubricated (see details below and in Key & Cylinder Maintenance section in back of book)

e-Clq is for Interior Applications Only)



CLIQ® E-Cylinders

Part #	Description	MT5@+	Interactive@+	eClq@
QKWMOR1C02-XX	CLIQ® Mortise Cylinder 1 1/8"	\$638.28	\$623.96	\$399.00
QKWMOR2C02-XX	CLIQ® Mortise Cylinder 1 1/4"	\$644.27	\$625.78	\$404.00
QKWMOR3C02-XX	CLIQ® Mortise Cylinder 1 3/8"	\$653.13	\$633.59	\$414.00
QKWRIM1__-XX	CLIQ® Rim Cylinder 1 1/8" (Specify Vert. or Horiz. Tail)	\$638.28	\$623.96	\$399.00
QKWRIMSVT-XX	CLIQ® Rim Cylinder 1 1/8" for Sargent® w/ Vert. Tail	\$638.28	\$623.96	N/A
QICCSH-XX	CLIQ® Interchangeable Core Schlage® Large Format	\$647.40	\$628.65	N/A
QICCYA-XX	CLIQ® Interchangeable Core Yale Large® Format	\$645.05	\$626.56	N/A
QKWKIK__-XX	CLIQ® Key In Knob Cylinder Fixed Tail (Specify Brand Type)	\$634.90	\$617.71	\$399.00
QKWKID__-XX	CLIQ® Key In Knob Cylinder Lazy Tail (Specify Brand Type)	\$634.90	\$617.71	\$399.00

CLIQ® Deadbolts

Part #	Description	MT5@+	Interactive@+	eClq@
QKWHD1-XX	CLIQ® Single Hercular® Deadbolt	\$757.81	\$724.48	N/A
QKWHD2E-XX	CLIQ® Double Hercular® Deadbolt (External Side Only in CLIQ®)	\$853.13	\$807.55	N/A
QKWHD2I-XX	CLIQ® Double Hercular® Deadbolt (Internal Side Only in CLIQ®)	\$853.13	\$807.55	N/A
QKWHD2B-XX	CLIQ® Doubler Hercular® Deadbolt (Both Sides in CLIQ®)	\$957.29	\$911.72	N/A
QKWHDC-XX	CLIQ® Captive Key Hercular® Deadbolt (External Side Only in CLIQ®)	\$900.52	\$848.70	N/A

CLIQ® Padlocks

Part #	Description	MT5@+	Interactive@+	eClq@
QKWWC10PC1	CLIQ® Weather Resistant C-Series Padlock #10 (1.25" Clearance)	\$642.19	\$630.73	N/A
QKWWC13PC1	CLIQ® Weather Resistant C-Series Padlock #13 (1.5" Clearance)	\$658.07	\$646.61	N/A
QKWW08SB	CLIQ® Weather Resistant Sliding Bolt Padlock #08 Ø 5/16"	\$831.49	\$706.77	N/A
QKWW11SB	CLIQ® Weather Resistant Sliding Bolt Padlock #11 Ø 7/16"	\$831.49	\$706.77	N/A
QKWN08LG1	CLIQ® NG-Series Padlock #47 Ø 5/16" (1" Clearance)	\$608.33	\$594.79	\$399.00
QKWN10LG1	CLIQ® NG-Series Padlock #55 Ø 3/8" (1" Clearance)	\$617.19	\$603.65	\$429.00

Additional variations of some of the above listed padlocks are available at an additional charge.

See C-series and NG-series padlock sections for pricing details.

CLIQ® NG-Series padlocks recommended for indoor use only

CLIQ® E-Cylinder Accessories

Part #	Description	List Price
QLST-COVER-MOR	CLIQ® Rain/Weather Protector for Mortise Cylinder	\$34.38
QLST-COVER-EU	CLIQ® Rain/Weather Protector for European Profile Cylinder	\$34.38

CLIQ® Electromechanical Locking Solutions

Warranty requires that any CLIQ® solution used on exterior applications be purchased with rain protector - Please specify application at the time of purchase. Warranty also requires that all CLIQ cylinders be properly lubricated (see details below and in Key & Cylinder Maintenance section in back of book)



CLIQ® Smart Keys

Part #	Description	MT5@+	Interactive@+	eClIQ®
QKW-KEYQTZ+-CUT	CLIQ® Quartz+ User Key Cut (with extended memory)	\$112.00	\$99.00	\$69.00
Q0__CKEYCTRL	CLIQ® C-Key (Please specify keyway)	\$149.00	\$149.00	\$149.00
Q0__CKEYCTRL	CLIQ® C-Key (Please specify keyway)	\$149.00	\$149.00	\$149.00
Q0__CKEYCAB	CLIQ® C-Key w/ Cable (Please specify keyway)	\$149.00	\$149.00	\$149.00
QKWKEYICC-CUT	CLIQ® Interchangeable Core Control Key	\$408.00	\$399.00	N/A
SVC-CNV-KEY-1K	Add SMARTair MiFARE 1K to Key	\$20.00	\$20.00	\$20.00

QTZ+ keys can have up to 1000 audit trail transactions; authorization properties are on the key and on the cylinder; authorization change can be done remotely

CLIQ® Programming Devices, Tools & Services

Part #	Description	MT5@+	Interactive@+	eClIQ®
QPD-LOCAL	CLIQ® Local Programming Device	\$468.00	\$468.00	\$468.00
QPD-WALL-EXT	CLIQ® Wall PD (Wall-Mounted Unit for Updating User Keys) for Exterior Doors	\$1,362.24	\$1,362.24	\$1,362.24
QPD-WALL	CLIQ® Wall PD (Wall-Mounted Unit for Updating User Keys) for Indoor Use Only	\$756.00	\$756.00	\$756.00
QPD-MOBILE-CELL	CLIQ® Mobile PD (Mobile Unit for Updating User Keys via Cell Phone)	\$899.00	\$899.00	\$899.00
QPD-MOBILE-PC	CLIQ® Mobile PD (Mobile Unit for Updating User Keys via PC)	\$899.00	\$899.00	\$899.00
QLSTBAT	CLIQ® Battery CR2032	\$2.34	\$2.34	\$2.34
QLSTBATTOOL	CLIQ® Battery Removal Tool	\$96.35	\$96.35	N/A
LST-LUBE	CLIQ® Lubricant for post-2010 cylinders (plugs show "O")	\$40.10	\$40.10	\$40.10
SVC-TRAINING-SITE	On-Site Advanced Training	Call for Price	Call for Price	Call for Price
SVC-TRAINING-WEB	Online Advanced Training	Call for Price	Call for Price	Call for Price

Mul-T-Lock Hosted CLIQ® Remote Setup and Web Hosting

Part #	Description	List Price
QLST-WEB-SETUP	CLIQ® Web Manager Server Setup (One-Time Fee)	\$641.11
QLST-WEB-REMOTE	CLIQ® Remote Web Manager Setup (One-Time Fee)	\$481.11
QLST-WEB-BAS	CLIQ® Web Manager Basic-Domain Admin (Annual Fee)	\$320.56
QLST-WEB-REM	CLIQ® Web Manager Remote--Basic (Above) + Remote+Revalidation (Annual Fee)	\$561.11
QLST-WEB-REPLUS	CLIQ® Web Manager Remote Plus- Remote (Above) + Access Profile (Annual Fee)	\$801.11
QLST-WEB-ENT	CLIQ® Web Manager Enterprise- Remote Plus (Above) + Flex Revalidation (Annual Fee)	\$1,282.22
QLST-WEB-ENTPLUS	CLIQ® Web Manager Enterprise Plus- Enterprise (Above) + Cylinder Group (Annual Fee)	\$1,762.22
QLST-WEB-ENTPLUSWS	CLIQ® Web Manager Enterprise Plus WS.- Enterprise (Above) + Web Svc. (Annual Fee)	Call For Price

All CLIQ applications will require: Local Programming Device w/ USB Cable, C-Key, Web Manager & Remote Manager setup for all web-based CLIQ® software. All hosting fees include maintenance fee and require a minimum contract period of 12 months. Support limitations/obligations will be addressed in the Required Service Level Agreement.

End-User Hosted CLIQ® Remote Solutions

Part #	Description	List Price
QLST-END-R-SOFT	CLIQ® Remote End-User Hosted Software (For Use w/ End-User Provided Server)	\$11,265.63
QLST-END-AN-FEE	CLIQ® Remote End-User Annual Maintenance Fee	\$643.75

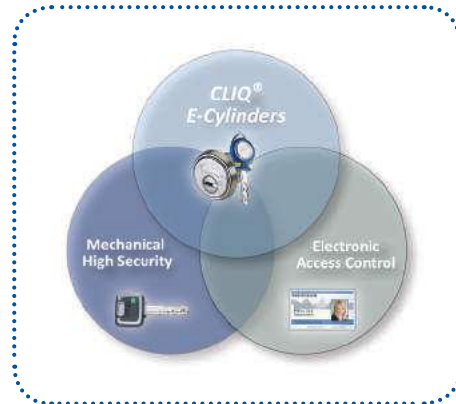
End-user-hosted software only available to large institutions with their own dedicated IT department.

▶ CLIQ® SMART START KITS - GET STARTED FOR LESS

Mul-T-Lock's Smart Start kits make it easier than ever to start enjoying the benefits of Mul-T-Lock CLIQ®. Kits designed for applications of nearly any size are available for projects or for stock at very special pricing to help you get started. Choose smart start kits for the best pricing available on CLIQ® projects, demos and more.

» FEATURES & BENEFITS

- Wire-Free - Installs anywhere, regardless of location and infrastructure
- Reduced Labor - No wiring means fast, easy and inexpensive setup
- Smart Start Packages - Superior discounts to get you started now
- Secure Online Software - User keys programmed from any computer
- Remote Access - Audit trail recall and right changes from afar
- Wall & Mobile Updaters - Users update and refresh their own keys
- Electromechanical - Combines access control with high security



» SPECIFICATIONS

- 2-Door, 5-Door, 10-Door and 50-Door kits available
- All kits include:
 - E-Cylinders
 - Quartz+ Keys
 - C-Key
 - Standard Programming Device
 - Wall or Mobile Programming Device
 - Web Software & Remote Setup
 - 1 Year of CLIQ® Remote Hosting



CLIQ® Electromechanical Locking Solutions

CLIQ® Remote: offers the ability to remotely program key authorization changes for easy updates by users at a wall or mobile PD
Utilizes Web Manager Software (Mul-T-Lock and End-User Hosted Options Available) Service Level Agreement Required

Warranty requires that any CLIQ® solution used on exterior applications be purchased with rain protector - Please specify application at the time of purchase. Warranty also requires that all CLIQ cylinders be properly lubricated (see details below and in Key & Cylinder Maintenance section in back of book)



CLIQ® Smart Start Packages

Kit Options (MT5® or Interactive®)	Description	List Price MT5+	Smart Start Price MT5+	List Price Interactive+	Smart Start Price Interactive+
2-Door Package	Includes: 2 E-Cylinders, 10 Quartz+ Keys, 1 C-Key, 1 Standard PD, 1 Wall PD, Web & Remote Setup, and 1 Year of Hosting	\$5,692.00	\$3,769.56	\$5,534.14	\$3,610.92
5-Door Package	Includes: 5 E-Cylinders, 10 Quartz+ Keys, 1 C-Key, 1 Standard PD, 1 Wall PD, Web & Remote Setup, and 1 Year of Hosting	\$7,607.62	\$5,684.40	\$7,406.02	\$5,482.80
10-Door Package	Includes: 10 E-Cylinders, 20 Quartz+ Keys, 1 C-Key, 1 Standard PD, 1 Wall PD, Web & Remote Setup, and 1 Year of Hosting	\$11,919.02	\$9,995.80	\$11,515.82	\$9,592.60
50-Door Package	Includes: 50 E-Cylinders, 100 Quartz+ Keys, 1 C-Key, 1 Standard PD, 1 Wall PD, Web & Remote Setup, and 1 Year of Hosting	\$46,410.22	\$44,487.00	\$44,394.22	\$42,471.00

Limited-time, additional discounts may be available during promotional periods.
Contact your local Territory Manager for additional information.

eCLIQ® Smart Start Packages

Kit Options	Description	List Price eCliq	Smart Start Price eCliq
2-Door Package	Includes: 2 E-Cylinders, 10 Quartz+ Keys, 1 C-Key, 1 Standard PD, 1 Wall PD, Web & Remote Setup, and 1 Year of Hosting	\$4,784.22	\$2,861.00
5-Door Package	Includes: 5 E-Cylinders, 10 Quartz+ Keys, 1 C-Key, 1 Standard PD, 1 Wall PD, Web & Remote Setup, and 1 Year of Hosting	\$5,981.22	\$4,058.00
10-Door Package	Includes: 10 E-Cylinders, 20 Quartz+ Keys, 1 C-Key, 1 Standard PD, 1 Wall PD, Web & Remote Setup, and 1 Year of Hosting	\$8,666.22	\$6,743.00
50-Door Package	Includes: 50 E-Cylinders, 100 Quartz+ Keys, 1 C-Key, 1 Standard PD, 1 Wall PD, Web & Remote Setup, and 1 Year of Hosting	\$30,146.22	\$28,223.00

Limited-time, additional discounts may be available during promotional periods.

▶ SMARTAIR® PLATFORM

SMARTair® is Mul-T-Lock's full range access control platform.

SMARTair® offers a convenient access control solution that can be adapted to suit the needs of a wide variety of applications. Available in Wireless, Update on Card, Offline and Standalone versions, SMARTair® hardware options include Mortise, Cylindrical and Panic Exit trim, all of which are designed for clean and easy retrofitting without requiring any major door modifications. SMARTair® equipped retrofit cylinders and padlocks are also available.

SMARTair® readers are offered both in standard and wireless forms (with or without keypads). Narrow style, elevator controllers and updaters are also available.

Credentials include versatile transponder stickers, tags/fobs, cards, waterproof silicon bracelets, disposable wristbands and SynerKeys, which allow for the integration of SMARTair® locks into systems that include mechanical and/or electromechanical solutions.

Choose this innovative solution for applications that require comprehensive access control features, including: real-time event updates, immediate credential scheduling, activation and disabling, audit trail, opening doors wirelessly from a distance and more. Suitable for many application segments such as medical, commercial, institutional, academic, residential, financial, transportation and more.

» FEATURES

- Easy installation - no wiring required
- Simple operation
- System management through easy-to-use software:
 1. Authorizations
 2. Time schedules
 3. Daylight saving time and holidays
 4. Deletion and replacement of lost credentials
 5. Audit trails
- 4 operating modes:
 1. Standard
 2. Open
 3. First person in
 4. Dual user
- Up to 64,000 user cards and up to 64,000 doors per system

» SPECIFICATIONS

- 13.56 MHz, HID iClass® & MIFARE® RFID technology
- Also available with DESFire and SKIDATA technology
- Cards, fobs, stickers, silicon & disposable wristbands & SynerKeys
- Powered by common batteries
- Meets ANSI grade 1 standards
- ADA-compliant levers
- Sabbath-compliant
- UL-3-hour fire rated latch bolt



SMARTair® Access Control Solutions



SMARTair® Locks

Part #	Description	List Price
SMA-LCK-CVOSTU4-26	iClass® Cylindrical Lever Wireless Weatherized Toledo 2 3/4" Backset 626	\$1,400.00
SMA-LCK-CUOSTU4-26	iClass® Cylindrical Lever Offline/UOC Weatherized Toledo 2 3/4" Backset 626	\$1,200.00
SMA-LCK-CVKSTU4-26	iClass® Cylindrical Lever Wireless Keypad Weatherized Toledo 2 3/4" Backset 626	\$1,500.00
SMA-LCK-CUKSTU4-26	iClass® Cylindrical Lever Offline/UOC Keypad Weatherized Toledo 2 3/4" Backset 626	\$1,300.00
SMA-LCK-CVOPTU4-26	iClass® Cylindrical Lever Wireless Privacy Weatherized Toledo 2 3/4" Backset 626	\$1,500.00
SMA-LCK-CUOPTU4-26	iClass® Cylindrical Lever Offline/UOC Privacy Weatherized Toledo 2 3/4" Backset 626	\$1,300.00
SMA-LCK-CVKPTU4-26	iClass® Cylindrical Lever Wireless Keypad Privacy Weatherized Toledo 2 3/4" Backset 626	\$1,600.00
SMA-LCK-CUKPTU4-26	iClass® Cylindrical Lever Offline/UOC Keypad Privacy Weatherized Toledo 2 3/4" Backset 626	\$1,400.00
SMA-LCK-MDBVOST-26_	iClass® Mortise Lever Wireless Weatherized Auto Bolt Toledo 2 3/4" Backset 626	\$1,600.00
SMA-LCK-MDBUOST-26_	iClass® Mortise Lever Offline/UOC Weatherized Auto Bolt Toledo 2 3/4" Backset 626	\$1,400.00
SMA-LCK-MDBVKST-26_	iClass® Mortise Lever Wireless Keypad Weatherized Auto Bolt Toledo 2 3/4" Backset 626	\$1,800.00
SMA-LCK-MDBUKST-26_	iClass® Mortise Lever Offline/UOC Keypad Weatherized Auto Bolt Toledo 2 3/4" Backset 626	\$1,500.00
SMA-LCK-MDBVOPT-26_	iClass® Mortise Lever Wireless Privacy Weatherized Auto Bolt Toledo 2 3/4" Backset 626	\$1,800.00
SMA-LCK-MDBUOPT-26_	iClass® Mortise Lever Offline/UOC Privacy Weatherized Auto Bolt Toledo 2 3/4" Backset 626	\$1,500.00
SMA-LCK-MDBVKPT-26_	iClass® Mortise Lever Wireless Keypad Privacy Weatherized Auto Bolt Toledo 2 3/4" Backset 626	\$1,900.00
SMA-LCK-MDBUKPT-26_	iClass® Mortise Lever Offline/UOC Keypad Privacy Weatherized Auto Bolt Toledo 2 3/4" Backset 626	\$1,600.00
SMA-LCK-MLBVOST-26_	iClass® Mortise Lever Wireless Weatherized Latch Toledo 2 3/4" Backset 626	\$1,500.00
SMA-LCK-MLBUOST-26_	iClass® Mortise Lever Offline/UOC Weatherized Latch Toledo 2 3/4" Backset 626	\$1,400.00
SMA-LCK-MLBVKST-26_	iClass® Mortise Lever Wireless Keypad Weatherized Latch Toledo 2 3/4" Backset 626	\$1,600.00
SMA-LCK-MLBUKST-26_	iClass® Mortise Lever Offline/UOC Keypad Weatherized Latch Toledo 2 3/4" Backset 626	\$1,400.00
SMA-LCK-MLBVOPT-26_	iClass® Mortise Lever Wireless Privacy Weatherized Latch Toledo 2 3/4" Backset 626	\$1,600.00
SMA-LCK-MLBUOPT-26_	iClass® Mortise Lever Offline/UOC Privacy Weatherized Latch Toledo 2 3/4" Backset 626	\$1,400.00
SMA-LCK-MLBVKPT-26_	iClass® Mortise Lever Wireless Keypad Privacy Weatherized Latch Toledo 2 3/4" Backset 626	\$1,800.00
SMA-LCK-MLBUKPT-26_	iClass® Mortise Lever Offline/UOC Keypad Privacy Weatherized Latch Toledo 2 3/4" Backset 626	\$1,500.00
SMA-LCK-PEDVOST-26	iClass® Panic Exit Device Trim Wireless Weatherized Toledo 2 3/4" Backset 626	\$1,500.00
SMA-LCK-PEDUOST-26	iClass® Panic Exit Device Trim Lever Offline/UOC Weatherized Toledo 2 3/4" Backset 626	\$1,300.00
SMA-LCK-PEDVKST-26	iClass® Panic Exit Device Trim Wireless Keypad Weatherized Toledo 2 3/4" Backset 626	\$1,600.00
SMA-LCK-PEDUKST-26	iClass® Panic Exit Device Trim Lever Offline/UOC Keypad Weatherized Toledo 2 3/4" Backset 626	\$1,400.00

All SMARTair® locks are supplied less cylinder (KW-MOR1 cylinder may be purchased separately for override).
 Please specify handing when ordering any of the above mortise style locksets.
 Prices shown here are for 626 finish products. Additional finishes and lever styles may be available at an additional charge.
 Contact your local Territory Manager additional information.
 Also available with MIFARE, DESFire, and SKIDATA

SMARTair® Escutcheons for European Style Locks

Part #	Description	List Price
SMA-CC13X___8S26	iClass® Cylindrical Lever Wireless Weatherized Toledo 2 3/4" Backset 626	\$888.89
SMA-VC13X___8S26	iClass® Cylindrical Lever Wireless Weatherized Toledo 2 3/4" Backset 626	\$1,111.11

All escutcheons are supplied with standard 44-50 mm spindle kit. Spindle kits to fit additional door sizes can be found on the following page.
 Options include: long or short external plates, models with or without privacy and/or mechanical override and distance between axes
 Contact your local Territory Manager additional information.

SMARTair® Access Control Solutions



SMARTair® Escutcheon Spindle Kits

Part #	Description	List Price
SMA-CCSPINKIT5056	Euro Spindle Kit 8 mm for 50-56 mm Thick Doors	\$61.11
SMA-CCSPINKIT5662	Euro Spindle Kit 8 mm for 56-62 mm Thick Doors	\$61.11
SMA-CASPINKIT13/4	ANSI Spindle Kit 1 3/4" Thick Doors	\$44.45
SMA-CASPINKIT13/8	ANSI Spindle Kit 1 3/8" Thick Doors	\$44.45
SMA-CASPINKIT21/4	ANSI Spindle Kit 2 1/4" Thick Doors	\$44.45

SMARTair® Cylinders

Part #	Description	List Price
SMA-IC-MOR1C02-26	iClass® Off Line / UOC Mortise Cylinder 1 1/8"	\$895.00
SMA-IV-MOR1C02-26	iClass® Wireless Mortise Cylinder 1 1/8"	\$1,095.00
SMA-IC-E35C35T-26	iClass® Off Line / UOC Single Euro Cyl. w/ Round Thumb Turn - 35X35mm	\$895.00
SMA-IV-E35C35T-26	iClass® Wireless Single Euro Cyl. w/ Round Thumb Turn - 35X35mm	\$1,095.00

SMARTair® cylinders are approved only for indoor applications which require a low-level of physical security.

SMARTair® Readers

Part #	Description	List Price
SMA-ICR-3PUSSB	iClass® Off Line / UOC Standard Card Reader and Controller	\$731.58
SMA-ICR-3KUSSB	iClass® Off Line / UOC Standard Card Reader + Keypad and Controller	\$868.42
SMA-MCR-2PDSSI	MIFARE® Off Line / UOC Slim Card Reader and Controller	\$794.74
SMA-IVR-3PUSSB	iClass® Wireless Card Reader and Controller	\$1,000.00
SMA-IVR-3KUSSB	iClass® Wireless Card Reader + Keypad and Controller	\$1,105.26
SMA-ICR3UPDATEV3	iClass® UOC Updater V3 with Reader for Door Access	\$2,894.74
SMA-ICR3PUPDATAMIUS	iClass® UOC Mini Updater No Door Access	\$1,194.74

SMARTair® Credentials

Part #	Description	List Price
SMA-M-ACLICSTASDW	SMARTair® Stand Alone Shadow Card Programming Card and License M1K	\$83.33
SMA-M-CARD-SHADOW	SMARTair® MIFARE Paper 1K Shadow Card	\$2.22
SMA-M-WRIST-S-BLU	SMARTair® Wristband - Silicon Blue Waterproof M1K	\$10.00
SMA-M-WRIST-DIS-WT	SMARTair® Wristband - Disposable White M1K	\$2.78
SMA-M-TAG-FLAT-1K	SMARTair® Flat Tag (Fob) with Logo M1K White	\$6.00
SMA-M-TAG-PREM-4K	SMARTair® Premium Tag (Fob) with Logo M4K Black	\$10.00
SMA-M-ST-NFC-1K-20	SMARTair® Round NFC 20mm M1K Sticker	\$6.00
SMA-M-CARDMTL-1K	SMARTair® Mifare® Compatible Iso Read/Write Contactless 1K Card	\$2.99
HID-2050CNNMN	HID 2050CNNMN iClass® 2k/2 Key II Fob	\$10.00
HID-2051CNNMN	HID 2051CNNMN iClass® 16k/2 Key II Fob	\$16.67
HID-2061CKSMN	HID 2061CKSMN iClass® 16k/2 Adhesive Tag	\$11.11
HID-2001C66MB	HID 2001C66MB iClass® 16k/2 Card	\$5.56
HID-2071CNNNN	HID 2071CNNNN iClass® 16k/2 Coil for SynerKey	\$12.22

SMARTair® Access Control Solutions



SMARTair® Accessories & Software

Part #	Description	List Price
SMA-ICC-KIT-MINI-10	iClass/Mifare Wireless Mngmt Kit w/ Software & License, Encoder & USB Cable (Laptop Required)	\$995.00
SMA-ICC-KITWIR-10IC	iClass/Mifare Wireless Mngmt Kit w/ Software, Encoder, Programmer & 10 Cards 10 Door	\$1,977.89
SMA-ICCLICWIR10IC	iClass/Mifare Wireless Software License - 10 door	\$367.37
SMA-CUP10WIR30UOL	Wireless SW Upgrade from 10 to 30 Doors Mifare & iClass	\$645.26
SMA-CUP10WIR75UOL	Wireless SW Upgrade from 10 to 75 Doors Mifare & iClass	\$2,018.95
SMA-CUP10WIRUNUOL	Wireless SW Upgrade from 10 to Unlimited Mifare & iClass	\$4,926.32
SMA-CUP30WIR75UOL	Wireless SW Upgrade from 30 to 75 Doors Mifare & iClass	\$1,373.68
SMA-CUP30WIRUNUOL	Wireless SW Upgrade from 30 to Unlimited Mifare & iClass	\$4,281.05
SMA-CUP75WIRUNUOL	Wireless SW Upgrade from 75 to Unlimited Mifare & iClass	\$2,907.37
SMA-CCLICMOBILE	Phone App Upgrade for Wireless Management Kit (one time charge)	\$750.00
SMA-W-HUB-2-915	Wireless Hub (Router) 915MHz	\$799.00
SMA-EURO-NA-ADAPT	European to North American Power Plug Adapter	\$10.53
SMA-CABLE-PP-TRANS	SMARTair® Transfer Cable	\$99.00
SMA-PC2LOCK-KIT	SMARTair® Cable & Adaptor for Laptop	\$299.00
SMA-CED3-I	iClass/Mifare Encoder	\$1,684.21
SMA-CPCC-I	Portable Programmer	\$1,263.16
SMA-DPS-M-BK	Door Position Switch	\$27.37
SMA-KIT-EMERG	Emergency Battery Cable	\$175.00
SMA-KCPP-ADAPT	SMARTair® Cylinder Adaptor for Portable Programmer	\$99.00
SMA-WIRELESSUP1915	Wireless Upgrade Board Locks	\$250.00
SMA-CK-ANSI-TOOL	Cylinder Installation Tool	\$85.00

SMARTair® Elevator Controllers

Part #	Description	List Price
SMA-IVR-3RXSSB	SMARTair® iClass/Mifare Wireless Elevator Controller and Reader 8 Relay	\$2,310.53
SMA-ICR-3RXSSB	SMARTair® iClass/Mifare Off Line / UOC Elevator Controller and Reader 8 Relay	\$2,100.00
SMA-CRPLACA8	SMARTair® Additional Elevator 8 Relay Card	\$1,363.16

SMARTair® Options & Services

Part #	Description	List Price
SVC-CNV-SMA-MIFARE	Conversion for SMARTair Technology from iClass to MIFARE	N/C
SVC-CNV-SMA-ALONE	Conversion for SMARTair Technology to Standalone	N/C
SVC-TRAINING-SITE	On-Site Advanced Training	Call for Price
SVC-TRAINING-WEB	Online Advanced Training	Call for Price

▶ SMARTAIR® *SMART START* KITS - GET STARTED FOR LESS

Mul-T-Lock's Smart Start kits make it easier than ever to experience Mul-T-Lock's SMARTair® access control platform. Kits designed for applications of nearly any size are available for projects or for stock at very special pricing to help you get started.

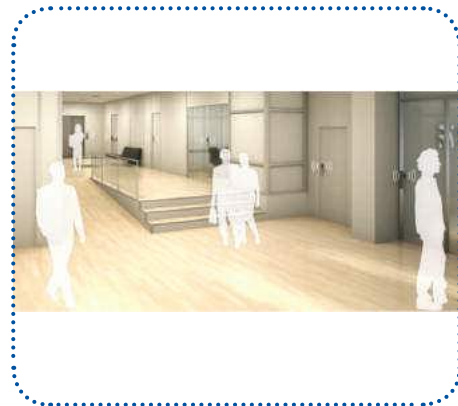
Choose smart start kits for the best pricing available on SMARTair® projects, demos and more.

» FEATURES & BENEFITS

- Cost-effective access control
- Choose wireless, update on card, offline or standalone
- Smart Start Packages - Superior discounts to get you started now
- Multiple hardware & retrofit options:
 - ANSI cylindrical and mortise locksets
 - Panic exit device trim and readers
 - Wireless cylinders & padlocks
- No at-door wiring required
- Wide variety of credentials:
 - Cards
 - Tags
 - Silicon bracelets & disposable wristbands
 - SynerKeys & Transponder Stickers

» SPECIFICATIONS

- 2-Door, 5-Door, 10-Door and 50-Door kits available
- All kits include:
 - Standard Lock without Keypad
 - Software & License
 - Encoder
 - USB Cable
 - 10 or More Cards (varies by kit)



SMARTair® Access Control Solutions



SMARTair® Smart Start Packages

Kit Options	Description	Smart Start Mini Kit	Smart Start Full Kit
2-Door Standard Package	Includes: 2 Standard Locks without keypad (Cylindrical or Mortise Latch), 1 Mini Mgmt Kit & 10 cards MIFARE	\$3,100.00	\$4,100.00
5-Door Standard Package	Includes: 5 Standard Locks without keypad (Cylindrical or Mortise Latch), 1 Mini Mgmt Kit & 25 cards MIFARE	\$6,400.00	\$7,400.00
10-Door Standard Package	Includes: 10 Standard Locks without keypad (Cylindrical or Mortise Latch), 1 Mini Mgmt Kit & 50 cards MIFARE	\$11,500.00	\$12,500.00
50-Door Standard Package	Includes: 50 Standard Locks without keypad (Cylindrical or Mortise Latch), 1 Mini Mgmt Kit & 100 cards MIFARE	\$55,000.00	\$56,000.00
2-Door Wireless Package	Includes: 2 Wireless Locks without keypad (Cylindrical or Mortise Latch), 1 Mini Mgmt Kit, 1 Wireless Hub & 10 cards MIFARE	\$4,200.00	\$5,200.00
5-Door Wireless Package	Includes: 5 Wireless Locks without keypad (Cylindrical or Mortise Latch), 1 Mini Mgmt Kit 1 Wireless Hub & 25 cards MIFARE	\$8,000.00	\$9,000.00
10-Door Wireless Package	Includes: 10 Wireless Locks without keypad (Cylindrical or Mortise Latch), 1 Mini Mgmt Kit 1 Wireless Hub & 50 cards MIFARE	\$14,000.00	\$15,000.00
50-Door Wireless Package	Includes: 50 Wireless Locks without keypad (Cylindrical or Mortise Latch), 1 Mini Mgmt Kit 2 Wireless Hubs & 100 cards MIFARE	\$68,000.00	\$69,000.00
SMARTair® Smart Start Standalone Package	Includes: 1 Reader of Choice; 1 Programming Card; 25 Shadow Cards; 25 Flat Tags		\$983.66
SMARTair® Smart Start Standalone Package	Includes: 1 Reader of Choice; 1 Programming Card; 50 Shadow Cards; 50 Flat Tags		\$1,158.34
SMARTair® Smart Start Standalone Package	Includes: 1 Reader of Choice; 1 Programming Card; 100 Shadow Cards; 100 Flat Tags		\$1,507.69

SMARTair® Smart Start Mini Kits include the mini management kit which requires a laptop computer. If you will be using a desktop computer instead, a portable programming device will be required (order item # SMA-CPCC-1). SMARTair® Smart Start Full Kits include the full size management kit which can utilize either a laptop or desktop computer. All SMARTair® locks are supplied less cylinder (KW-MOR1 cylinder may be purchased separately for override). All SMARTair® locks are supplied less cylinder (KW-MOR1 cylinder may be purchased separately for override). Please specify handing when ordering any of the above mortise style locksets. Prices shown here are for 626 finish products. Additional finishes and lever styles may be available at an additional charge. Contact your local Territory Manager additional information.

▶ SMARTAIR® E-MOTION ELECTRONIC CABINET LOCK

The E-Motion electronic cabinet lock is part of Mul-T-Lock's SMARTair® access control platform.

E-Motion offers convenient keyless entry for cabinets, lockers and more utilizing RFID technology and can be integrated with offline and update on card SMARTair® systems.

Credentials include versatile transponder stickers, tags/fobs, cards, waterproof silicon bracelets, disposable wristbands and SynerKeys, which allow for the integration of E-Motion locks into systems that include mechanical and/or electromechanical solutions.

Choose this convenient solution for pharmaceutical cabinets, health club, gym, employee and other lockers, med carts, and more.

▶ FEATURES

- Simple operation
- System management through easy-to-use software

▶ 2 OPERATION MODES

High traffic: All lockers are available to all users. Any user can select a free locker and lock it by presenting his/her card.

User assigned: Through the E-Motion or SMARTair software, a specific locker can be assigned to one or more users. This mode of operation supports various access control features: authorizations, time schedules, daylight saving time and holidays, cancellation and replacement of lost tags, audit trail, temporary blockage, etc.

▶ SPECIFICATIONS

Reader module:

- 13.56 MHz, MIFARE® RFID technology
- ISO 14443A
- Contact-less cards (MIFARE Classic 1K, 4K and ULTRALIGHT)
- Reading range: 10 mm with standard credentials
- LED indications (access authorized, access denied, low battery, etc.)
- Compatible with mobile telephone NFC

Control unit:

- Non-volatile memory
- Up to 1,500 users
- Up to 1,000 events recorded in audit trail
- Real-time clock and calendar

Battery module:

- Type: 3 x LR03 AAA 1.5V alkaline batteries
- Estimated duration: 20,000 operations or 3 years
- Changing the batteries is easy and simple; no need to disassemble the lock



SMARTair® E-Motion Cabinet & Locker Locks



E-Motion Locks, Demos, & Tools

Part #	Description	List Price
SMA-M-CE-DEMOLOCK	E-MotionDemo Lock on Wood Mount Mifare® With Cards and Tags and Wrist	\$555.56
SMA-EMOTIONTOOL	E-MotionTool	\$22.22
SMA-ICE-13X0212B01	iClass® E-Motion Cabinet Lock Long - 5/64"-15/32" Door	\$393.33
SMA-ICE-13X1215B01	iClass® E-Motion Cabinet Lock Long - 15/32"-19/32" Door	\$393.33
SMA-ICE-13X1525B01	iClass® E-Motion Cabinet Lock Long - 19/32"-63/64" Door	\$393.33
SMA-ICE-53X0212B01	iClass® E-Motion Cabinet Lock Short - 5/64"-15/32" Door	\$393.33
SMA-ICE-53X1215B01	iClass® E-Motion Cabinet Lock Short - 15/32"-19/32" Door	\$393.33
SMA-ICE-53X1525B01	iClass® E-Motion Cabinet Lock Short - 19/32"-63/64" Door	\$393.33

See SMARTair® Credentials in Previous section for Credential Options
 Additional mechanical key + fob credential options can be found in the SynerKey® Section of this book.

E-Motion Locker-Credential Visualizer

Part #	Description	List Price
SMA-I-VISUALIZER	E-MotionDemo Lock on Wood Mount Mifare® With Cards and Tags and Wrist	\$1,200.00

DONNA MULTIFAMILY AND HOSPITALITY

DONNA™ brings an economical solution for both multifamily and small hospitality facilities. Locksets are available in both magnetic stripe or RFID MiFare® for flexibility and budgetary concerns. DONNA's Management system allows for multisite or check-in and check-out situations. In addition to the locksets, DONNA™ has a line of energy saving devices for today's eco sensitive world.

Applications include apartment buildings, boutique hotels, bed and breakfast, guest house, employee and student housing and hostels to name a few.

» FEATURES

- Magnetic Stripe – ABA Track 1 and 2
- RFID – ISO 14443 A Standards (MiFare®)
- Variety of handles (Special order conditions may apply)
- Variety of finishes (Special order conditions may apply)
- Lock types
 - ANSI mortise
 - Tubular latch (161 prep)
 - Tubular latch and deadbolt
- Readers available
- Retains 1000 audit trails
- Key override option available
- PMS interface to popular management softwares



» SPECIFICATIONS

Reader module:

- 13.56 MHz, MIFARE® RFID technology
- ISO 14443A
- Contact-less cards (MIFARE Classic 1K, 4K and ULTRALIGHT)
- Reading range: 10 mm with standard credentials
- LED indications (access authorized, access denied, low battery, etc.)
- Compatible with mobile telephone NFC

Control unit:

- Non-volatile memory
- Up to 1,500 users
- Up to 1,000 events recorded in audit trail
- Real-time clock and calendar

Battery module:

- Type: 3 x LR03 AAA 1.5V alkaline batteries
- Estimated duration: 20,000 operations or 3 years
- Changing the batteries is easy and simple; no need to disassemble the lock

SMARTair® Donna Multi Family Housing and Small Hospitality Locks



SMDRTair® Locks

Part #	Description	List Price
SMD-ITHSBTC751C_EX	Magnetic Stripe Cylindrical Lever with Deadbolt UOC PRIV Weatherized Toledo 2 3/4" Backset 626	\$699.00
SMD-ITHSBTV_21C_EX	Magnetic Stripe Mortise Lever UOC PRIV Weatherized Toledo 2 3/4" Backset 626 (Specify Handing)	\$699.00
SMD-ITHS3TC751C_EX	RFID Mifare Cylindrical Lever with Deadbolt UOC PRIV Weatherized Toledo 2 3/4" Backset 626	\$799.00
SMD-ITHS3TV_21C_EX	RFID Stripe Mortise Lever UOC PRIV Weatherized Toledo 2 3/4" Backset 626	\$849.00

All SMARTair® Donna locks have no cylinder override standard
 Please specify handing when ordering any of the above mortise style locksets.
 Prices shown here are for 626 finish products. Additional finishes and lever styles may be available at an additional charge.
 Contact your local Territory Manager for additional information.

SMDRTair® Donna Options

Part #	Description	List Price
SVC-CNV-SMD-LVR_____	Conversion Charge for Alternate Lever Styles	\$25.00
SVC-CNV-SMD-FIN_____	Conversion Charge for Alternate Finishes	\$67.00
SVC-CNV-SMD-CYL_____	Conversion Charge for Cylinder Override (Requires cylinder KW-KIKSMD-XX-X)	\$67.00

Alternate lever styles include Hermes; Flare; Sena; Vector; & Grenada
 Alternate finishes include: Polished Brass (PVD); Satin Brass (PVD); Antique Brass; Satin Black

SMARTair® Donna Accessories, Software License, & Credentials

Part #	Description	List Price
SMD-STHSIN3R	Hotel Software License - 150 doors or more	\$7,667.00
SMD-STHSIN1R	Hotel Software License - up to 75 Doors	\$1,788.00
SMD-ITEDMHKV3	Magnetic Stripe Motorized Card Encoder	\$6,999.00
SMD-ITPPCCUSB	Donna Portable Programmer	\$1,158.00
SMD-ITRHSBAC	Magnetic Stripe Wall Reader Without Internal Heater 626	\$795.00
SMA-CED3-I	iClass/Mifare Encoder	\$1,684.21
SMD-STHTARBHT	High Coercivity Magnetic Stripe Cards	\$2.00
SMD-STHTARBLT	Low Coercivity Magnetic Stripe Cards	\$1.00
SMD-STF2LDNV3	RFID Safe 15 3/8" X 7 1/2" X 16 1/2"	\$975.00
SMD-STHDESC2STSB	Basic Energy Saver Magnetic Stripe / RFID; Color options: Brass / Chrome / White	\$99.00
STHDESC2TSB	Intelligent Energy Saver RFID; Color options: Brass / Chrome / White	\$239.00
SMD-ITRHSS2AC	RFID Card Reader and Controller	\$731.58
SMA-ICR-3PUSSB	iClass® Off Line / UOC Standard Card Reader and Controller	\$731.58
SMA-IVR-3PUSSB	iClass® Wireless Card Reader and Controller	\$1,000.00
SMD-STHTAQ22_	Donna Locker Lock Mifare (Specify handing)	\$200.00

YALE® SHINE™ TOUCHSCREEN GLASS DOOR DIGITAL LOCK

Mul-T-Lock offers Yale® touchscreen locking solutions for residential and commercial applications to help meet even more of our customers' needs. The Shine™ surface-mounted RFID card and touchscreen digital lock offers modern, convenient, and sophisticated locking for glass doors.

Choose this smart solution to secure single and double glass doors and enable entry by PIN code or RFID credential.

» FEATURES

- Various access options - PIN code or RFID credential
- Various models - single, double and rim designs
- Modern magic mirror keypad - numbers appear upon touch
- Fake PIN code feature - enter any numbers before or after PIN
- High-temperature alarm - and auto-unlock in case of fire
- Modern look - sleek, elegant and thin design
- Emergency power override - 9V power supply jump



» SPECIFICATIONS

- PIN code: 6-12 digits
- Up to 20 card users
- Available in silver finish
- Available for rim locks
- Door Thickness: 10 to 12mm
- Door Gap: 2.5 to 5mm
- 4 x AA batteries
- Automatic lock mode
- Operation Temperature: -15 to +55C



Yale® Shine Touchscreen Glass Door Lock



Yale® Shine™

Part #	Description	List Price
YAL-SHINE2-313	Yale® Touchscreen Double Glass Door Lock	\$575.00
YAL-SHINE1-313	Yale® Touchscreen Single Glass Door Lock	\$495.00
YAL-SHINE1RIM-323	Yale® Touchscreen Digital Rim Lock	\$495.00

Yale® Radios for Home Integration

Part #	Description	List Price
YAL-ZWAVE-RADIO	Yale® Z-Wave Radio Card (Converts Shine to Home Integration Solution)	\$130.21

CODE-IT™ ELECTRONIC SECURITY HANDLE

Mul-T-Lock's innovative door handle with integrated electronic security offers simple and effective keyless locking for internal doors, without compromising aesthetics. This sleek, attractive and easy-to-install hardware offers ultimate convenience for users who need to frequently leave an indoor office or room unattended but don't want to carry a key. Once installed, Code-It provides flexibility of use, with options for automatic re-locking after the entry of a valid code, or a manual re-locking required option which leaves the lock 'open,' allowing traffic to pass freely.

Choose this smart solution for offices, storage cabinets or areas where sensitive or hazardous items are kept.

» FEATURES

- 2 operating modes:
 - Automatic locking
 - Manual locking
- 4- to 6-digit code
- Locks only from outside
- Simple operation
- Easy replacement
- Does not require an electrical outlet
- Low-cost maintenance

» SPECIFICATIONS

- For door thickness 35-80 mm
- Up to 9 separate codes
- Indication light
- Indication sound



Code-It™ Electronic Security Handle



Code-It™ Handle

Part #	Description	List Price
LCK-CODE-IT-U4LH-26	Code-It Dual Mode Digital Lever 2 3/4" Backset 626 Left-Handed	\$299.00
LCK-CODE-IT-U8LH-26	Code-It Dual Mode Digital Lever 2 3/8" Backset 626 Left-Handed	\$299.00
LCK-CODE-IT-U4RH-26	Code-It Dual Mode Digital Lever 2 3/4" Backset 626 Right-Handed	\$299.00
LCK-CODE-IT-U8RH-26	Code-It Dual Mode Digital Lever 2 3/8" Backset 626 Right-Handed	\$299.00
LCK-CODE-IT-U4PLH-26	Code-It Passage Mode Digital Lever 2 3/4" Backset 626 Left-Handed	\$199.00
LCK-CODE-IT-U8PLH-26	Code-It Passage Mode Digital Lever 2 3/8" Backset 626 Left-Handed	\$199.00
LCK-CODE-IT-U4PRH-26	Code-It Passage Mode Digital Lever w/ 2 3/4" Backset 626 Right-Handed	\$199.00
LCK-CODE-IT-U8PRH-26	Code-It Passage Mode Digital Lever w/ 2 3/8" Backset 626 Right-Handed	\$199.00

Code-It™ Handle

Part #	Description	List Price
PLK-CODELAT-U4-26	Code-It Lever Latch 2 3/4" Backset 626	\$39.00
PLK-CODELAT-U8-26	Code-It Lever Latch 2 3/8" Backset 626	\$39.00
PLK-CODE-IT-CVR-26	Code-It Cover Plate for Large Rosette	\$21.00

GOTU®+ DIGITAL DOOR VIEWERS WITH CAMERA & BELL

Mul-T-Lock's GotU®+ Digital Door Viewer (DDV) notifies users of visitors and lets them clearly see who is at the door. The built-in camera offers an expanded view of the entrance and takes clear pictures and videos of the scene, either automatically or when the user decides, even in reduced lighting. The DDV is easy to install and easy to operate, making it an ideal solution for all users.

Choose this smart solution for home, apartment and other front doors where visitor identification prior to door opening is required.

» FEATURES

- Clear, expanded view
- Easy operation — just press the button
- Automatically saves images & videos to an SD card
- Infrared camera provides night vision
- Adjustable & automatic switch-off timer
- Fits easily over existing mechanical viewers
- Camera activated by push of built-in doorbell
- Motion sensor-activated camera option



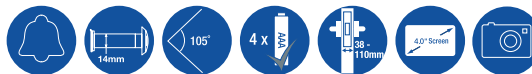
» SPECIFICATIONS

- Door thickness: 1.5 - 4.33"
- Door barrel diameter: 0.55 - 1.02"
- Camera: 0.3 megapixels with night vision capabilities
- LCD Screen: 4.3" TFT
- Power: 4 x AA batteries
- Memory card: Micro SD card (TF), max 16GB
- Infrared wavelength: 940 nM
- Size: 5.47 (L) x 3.15 (H) x .78 W inches
- Weight: 6.7 oz



Note: Specifications shown above are for model 5140. Overall dimensions and screen size (as indicated below) will vary slightly for 3202 model.

GotU+ 3202



GotU+ 5140



GOTU®+ Digital Door Viewer



Premium Digital Door Viewers (DDV)

Part #	Description	List Price
ACC-DDV-5140-ALU	5140 DDV with Bell: Still & Video Camera, Motion Sensor & 2GB SD Card, Aluminum	\$199.00
ACC-DDV-5140-BLK	5140 DDV with Bell: Still & Video Camera, Motion Sensor & 2GB SD Card, Black	\$199.00
ACC-DDV-5140-WHT	5140 DDV with Bell: Still & Video Camera, Motion Sensor & 2GB SD Card, White	\$199.00

Basic Digital Door Viewers (DDV)

Part #	Description	List Price
ACC-DDV-3202-ALU	3202 DDV with Bell: Still Camera, Aluminum	\$149.00
ACC-DDV-3202-BLK	3202 DDV with Bell: Still Camera, Black	\$149.00
ACC-DDV-3202-WHT	3202 DDV with Bell: Still Camera, White	\$149.00

MUL-T-LOCK

KEYS, KEYING OPTIONS & SERVICES



Mul-T-Lock provides comprehensive, flexible and varied solutions to meet the specific needs of virtually any application. Available key platforms include the patented Integrator®, the proven high security Interactive®+ and the premium protection MT5®+. Unique and customized keying options also lend convenience without compromise. And Mul-T-Lock's single key design allows for the easy operation of all products within a platform (everything from a deadbolt to a padlock to a file cabinet cylinder) by a single key design.

Keys & Cards



Standard Color / Metal Key Blanks

Part #	Description	MT5@+	Interactive@+	
			Classic	Integrator@
KW-KEYMT5+	Key Blank w/Nylon Head-MT5@+-Black/Gray	\$9.75	N/A	N/A
KWPKEYBLU	Key Blank w/Nylon Head-Interactive@+- Blue	N/A	\$6.85	N/A
KWPKEYMET / KW-KEYMET	Key Blank w/Metal Silver Head-Interactive@+ OR Classic	N/A	\$9.25	N/A
KW-KEYBLK	Key Blank w/Nylon Head-Classic-Black	N/A	\$3.10	N/A
KW-KEYNTG	Key Blank w/Nylon Head-Integrator@-Blue	N/A	N/A	\$6.85

All key blanks shown above are supplied in boxes of 50 only. Interactive@+ nylon keys come standard w/ Dark Blue (BLU) head. Classic nylon keys come standard w/ Black (BLK) head.

SynerKeys (Dual Credential Key Blanks w/o Transponders)

Part #	Description	MT5@+	Interactive@+	
			Classic	Integrator@
KW-KEYSYNGYMAS-1	Dual Credential SynerKey® Blank (Less Transponder) Specify Color	\$17.50	\$14.28	\$12.67
KW-KEYSYNGYMAS	Dual Credential SynerKey® Blank (Less Transponder) Specify Color-50 pack	\$875.00	\$713.89	\$633.33

SynerKeys include a mechanical key blank with a specialized bow/head to house a transponder for use with SMARTair & other access control systems
Available in Gray only
Please allow additional delivery time. Contact your local Territory Manager for keyway availability and additional information.

Custom Key Insert Options

Part #	Description	MT5@+	Interactive@+	
			Classic	Integrator@
KW-KEYBLU-INA	Key Blank for Use w/ Custom Inserts	\$10.83	\$7.61	\$6.00
PKY-INA-____-_____	Custom Inserts For Use With All KW-KEYBLU-INA Keys	\$1.11	\$1.11	\$1.11

KW-KEYBLU-INA for Interactive@+ keyways are available in dark blue (minimum orders may apply)
INA inserts available in red, gray, yellow, green orange, dark blue & white. All inserts are supplied in lots of 3000 per color, per design.
Please allow 6-8 weeks delivery time.

Insert Die Setup

Part #	Description	MT5@+	Interactive@+	
			Classic	Integrator@
SVC-KEYINSERT-SETUP	Die Setup for Nylon Head Customized Key Inserts	\$490.00	\$490.00	\$490.00

Prices shown here are net (Authorized Dealer's final cost)
Contact your local Territory Manager for additional information.

Keys & Cards



Special Color Key Blanks

Part #	Description	MT5@+	Interactive@+	
			Classic	Integrator®
KW-KEYMT5+GR/___	Key Blank w/Nylon Head-MT5+ (50 Per Box / Per Color) (Please Specify Color)	\$10.83	N/A	N/A
KWPKEY___	Key Blank w/Nylon Head-Interactive@+ (50 Per Box / Per Color) (Please Specify Color)	N/A	\$8.00	N/A
KW-KEY5CL-250	Key Blank w/Nylon Head-Classic (250 pc. Assortment of 5 Colors) 006C 064C 050C only	N/A	\$3.44	N/A

MT5+ Color Nylon Head key blanks include: florescent blue, green & magenta
 Interactive+ Color Nylon Head key blanks include: green & red (keyway restrictions may apply).
 Classic Assorted Color Nylon Head key blanks* are supplied in bags of 250 only (50 of each color).

Custom Key Blanks

Part #	Description	MT5@+	Interactive@+	
			Classic	Integrator®
KWPKEYMET-_____	Key Blank w/Metal Custom Head	N/A	\$9.25	N/A
KW-KEY___-_____	Key Blank w/ Custom Molded Nylon Head	\$10.75	\$7.20	\$5.40

Custom coined keys are supplied in lots of 500, and should allow additional delivery time.
 Custom coined key blanks are available only in Interactive@+ keyways.
 *Custom nylon keys available in one solid color: red, green, yellow, grey, black, purple, orange, or dark blue"
 Supplied only in lots of 5000 keys per color, per design.
 Please allow 6-8 weeks delivery time.

Custom Key Setup Charges

Part #	Description	MT5@+	Interactive@+	
			Classic	Integrator®
SVC-COIN-KEYMET-500	Coining Die For Metal Head Keys (500 Key Order)	N/A	\$927.78	N/A
SVC-COIN-KEYMET-1000	Coining Die For Metal Head Keys (1,000 Key Order)	N/A	\$458.89	N/A
SVC-COIN-KEYMET-1500	Coining Die For Metal Head Keys (1,500 Key Order)	N/A	\$230.00	N/A
SVC-COIN-KEYMET-2000	Coining Die For Metal Head Keys (2,000 Key Order)	N/A	N/C	N/A
SVC-KEYDIE-SETUP	Die Setup for Custom Molded Nylon Head Keys	\$2,221.11	\$2,221.11	\$2,221.11

Prices shown here are net (Authorized Dealer's final cost)
 Die charge is a one time setup fee for initial order of customized keys.
 Initial order for custom coined keys must meet minimum quantity requirements and allow 6-8 weeks delivery time.

Special Key Blanks

Part #	Description	MT5@+	Interactive@+	
			Classic	Integrator®
KW-KEYICC-1	Key Blank w/Nylon Head (Control Key I/C)	\$11.39	\$8.00	\$6.61
KW-KEYHRC-1	Key Blank for Hercular® Captive Key	\$11.39	\$8.00	N/A

Special key blanks are supplied individually.

Keys & Cards



Cut Keys

Part #	Description	MT5@+	Interactive@+ / Classic	Integrator@	Smart Key (add to price)
KW-KEYMT5+-CUT	Cut Key w/Nylon Head-MT5@+-Black/Gray	\$29.75	N/A	N/A	\$82.25
KWPKEYBLU-CUT	Cut Key w/Nylon Head-Interactive@+-Blue	N/A	\$16.85	N/A	\$82.15
KW-KEYMET-CUT	Cut Key w/Metal Head-Interactive@+ OR Classic	N/A	\$19.25	N/A	N/A
KW-KEYBLK-CUT	Cut Key w/Nylon Head-Classic-Black	N/A	\$13.10	N/A	N/A
KW-KEYNTG-CUT	Cut Key w/Nylon Head-Integrator@-Blue	N/A	N/A	\$15.40	N/A
KW-KEYICC-CUT	Cut Key w/Nylon Head (Control Key I/C)	\$20.25	\$17.20	\$15.95	\$382.00 - \$387.75
KW-KEYHRC-CUT	Cut Key for Hercular® Captive Key	\$20.25	\$17.20	N/A	N/A

SynerKeys (Dual Credential Cut Keys Keys w/o Transponders)

Part #	Description	MT5@+	Interactive@+	Integrator@
KW-KEYSYGYMAS-CUT	Dual Credential SynerKey® Cut (Less Transponder) Gray only	\$39.72	\$25.39	\$23.78

SynerKeys include a mechanical key blank with a specialized bow/head to house a transponder for use with SMARTair

Colored Dots for Key Heads

Part #	Description	MT5@+	Interactive@+ / Classic	Integrator@
PKY-DOTRND-___	Round Dots for Interactive® Nylon Head Keys (500 pc. bag)	N/A	\$57.81	N/A
PKY-DOTOVL-___	Oval Dots for Integrator® Nylon & Int/Classic® Metal Head Keys (500 pc. Bag)	N/A	\$57.81	\$57.81
PKY-DOTSQR-___	Square Dots for Interactive®+ and MT5@+ Nylon Head Keys (500 pc.bag)	\$57.81	\$57.81	N/A

Colored dots are supplied in bags of 500.

Available Colors: Blue (BLU), Brown (BRN), Green (GRN), Gray (GRY), Orange (ORG), Red (RED), Violet (VLT), Yellow (YLV), White (WHT), Black (BLK), Assorted (AST)

Keys & Cards

For SynerKey™ or SynerCLIQ® Credentials, Please See SynerKey Section in Previous Pages



Key Order Cards

Part #	Description	Interactive®+		
		MT5®+	Classic	Integrator®
KW-CARD	Key Order Card (Pre-Combinated)	\$6.25	\$4.70	\$3.75
KW-CARD-DUP	Key Order Card Duplicate (Serial # will be replaced with "Duplicate")	N/A	\$49.75	\$47.50
KW-CARD-MK-1	Key Order Card MKS Single Key Card - System Admin Authorization Required	\$119.00	\$89.25	\$69.50
CRD-MASTINT-1	Master Key Sys. Control Card Interactive®+	N/A	\$4.70	N/A
CRD-MASTINT-10	Master Key Sys. Control Card Interactive®+ (Sealed Pack of 10)	N/A	\$45.00	N/A
KWPCARD-3IN1	3 in 1 Card Set (3 Color Identified Cards)	N/A	\$15.60	N/A

In order to receive a duplicate key order card, lost card affidavit must be approved.

Key Order Cards w/Cut Keys

Part #	Description	Interactive®+		
		MT5®+	Classic	Integrator®
KW-CARD-2K	Key Order Card (Pre-Combinated) w/2 Nylon Head Cut Keys	\$59.75	38.40 - 30.70	\$34.50

Services



Keying Options

Part #	Description	MT5@+	Interactive@+	
			Classic	Integrator@
PART#-D	Keyed Different	N/C	N/C	N/C
PART#-A	Keyed Alike (Depending Upon Quantities, Additional Charges May Apply)	Call for Price	Call for Price	Call for Price
PART#-M	Master Keyed (Add to Price)	\$20.50	\$15.50	\$10.00
PART#-M	Master Keyed for Double Cylinder Product (Add to Price)	\$30.75	\$22.50	\$15.00
PART#-S	Sub-assembled (Deduct from Price)	\$15.00	\$15.00	\$10.00
PART#-F	FleX Control Conversion (Add to Price) (Requires 90° Rotation of the Cylinder)	N/A	\$35.50	N/A
PART#-F	FleX Control Conversion for Double Cylinder Product (Add to Price)	N/A	\$53.25	N/A
SVC-CNV-3IN1	Cylinder Set-Up for 3 in 1	\$64.00	\$58.00	N/A
SVC-CNV-3IN1	Cylinder Set-Up for 3 in 1 for Double Cylinder Product	\$96.00	\$87.00	N/A
SVC-CUST-KEYED_ _ _	Customer Specified Keying (Specify Platform and Combo)	\$20.00	\$14.50	\$9.00
SVC-CUST-KEYED_ _ _2	Customer Specified Keying for Double Cylinder (Specify Platform and Combo)	\$30.00	\$21.75	\$13.50

D and A Products come with 2 Nylon Head Keys* per cylinder, and 1 Key Order Card per combination. M Products come with 2 Nylon Head Keys* per item.

S Products come disassembled, without plug pins, keys, and key order card.

F Products come keyed with 1 Red, 1 Green, 1 Blue and 1 White-dotted key and 1 Key Order Card per combination. Certain restrictions may apply. Contact your local Territory Manager for additional information.

3 in 1 Products come keyed with 2 green, 1 yellow, and 1 red-dotted key per cylinder, and 1 Key Order Card per combination.

Products keyed to Customer Specified Combo come with 2 Nylon Head Keys* per item.

*Certain keyways are supplied only with Metal Head Keys for which additional charges will apply.

Re-Keying

Part #	Description	MT5@+	Interactive@+	
			Classic	Integrator@
SVC-REKEY-CYL- _ _ _	Re-Key Charge - Cylinder (Specify Platform and Combo)	\$47.78	\$43.06	\$28.89
SVC-REKEY-CYL- _ _ _2	Re-Key Charge - Double Cylinder (Specify Platform and Combo)	\$71.67	\$64.72	\$43.33
SVC-REKEY-PAD- _ _ _	Re-Key Charge - Padlock (Specify Platform and Combo)	\$47.78	\$43.06	\$28.89
SVC-REMAS-CYL- _ _ _	Re-Master Key - Cylinder (Specify Platform and Combo)	\$57.78	\$51.39	\$35.56
SVC-REMAS-CYL- _ _ _2	Re-Master Key - Double Cylinder (Specify Platform and Combo)	\$86.67	\$77.22	\$53.33
SVC-REMAS-PAD- _ _ _	Re-Master Key - Padlock (Specify Platform and Combo)	\$57.78	\$51.39	\$35.56

Code Stamping

Part #	Description	MT5@+	Interactive@+	
			Classic	Integrator@
SVC-STAMP-KEY	Code Stamp on Key Blade	\$1.20	\$1.20	\$1.20
SVC-STAMP-CYL	Code Stamp on Cylinder Body	\$2.34	\$2.34	\$2.34

Special Services

Part #	Description	MT5@+	Interactive@+	
			Classic	Integrator@
SVC-EXPEDITE-SHIP	Expedited shipping service fee	10% of Total	10% of Total	10% of Total
SVC-CNV-SMA-MIFARE	Conversion for SMARTair Technology from iClass to MIFARE	N/C	N/C	N/C
SVC-KEY-CUT	Conversion for Key Blanks to Cut Keys (Per Key)	\$11.11	\$11.11	\$11.11
SVC-SETUP-MAS	Master Key System Setup Fee	\$250.00	\$250.00	\$250.00
SVC-LABOR-KCM	Key Cutting Machine Repair	Call for Price	Call for Price	Call for Price
SVC-CNV-KEY-MET	Conversion for Metal Keys (Per Key)	N/A	\$2.50	N/A
SVC-CNV-KEY-INS	Conversion for Insert Head Keys (Per Key) (Insert not included) (Keyway restrictions may apply)	\$2.50	\$2.50	\$2.50
SVC-CNV-MOR-SR2	Conversion for Mortise Cylinder w Security Ring # 2	\$3.89	\$3.89	\$3.89
SVC-CNV-MOR-SR3	Conversion for Mortise Cylinder w Security Ring # 3	\$7.22	\$7.22	\$7.22
SVC-CNV-HRC-SPLIT	Conversion for Split Finish Hercular Deadbolt	\$37.78	\$37.78	\$37.78
SVC-CNV-PL-NKR	Conversion for C-Series Padlock to Non-Key Retaining	\$8.33	\$8.33	\$8.33

MUL-T-LOCK

MACHINERY, PINKITS AND TOOLS



Mul-T-Lock strives to empower our high security partners with the finest tools of the trade by offering Mul-T-Lock brand machinery, an extensive range of tools and pinning kits and many useful resources for providing exceptional service and high security.



KC5 Key Cutting Machine (Cuts All Platforms)

Part #	Description	MT5@+	Interactive@+ Classic	Integrator@
KCM-KC5-LOCKSMITH	KC5 Key Cutting Machine w/ Software Interface & Engraving Tool	\$46,176.67	\$46,176.67	\$46,176.67

Please allow 10-12 weeks delivery time
Contact your local Territory Manager for additional information.

Compact Key Cutting Machine (Cuts Interactive@+ / Interactive@ / Classic)

Part #	Description	MT5@+	Interactive@+ Classic	Integrator@
KCM-KEYMACH-COM2	Compact Size Key Cutting Machine II	N/A	\$11,521.11	N/A

Compact Key Cutting Machine (Cuts Integrator@ / 7x7)

Part #	Description	MT5@+	Interactive@+ Classic	Integrator@
KCM-KEYMACH-NTG	Compact Size Key Cutting Machine	N/A	N/A	\$11,521.11



Service Kits

Part #	Description	MT5@+	Interactive@+	
			Classic	Integrator®
LST-KITPIN-MT5-DLX	Deluxe MT5 pinkit (25 ea. Plug, Master, Solid, Finger, Eccentric & Body Pins)	\$2,754.00	N/A	N/A
LST-KITPIN-MT5-REG	Regular MT5 pinkit (100 ea. Plug, Finger, Eccentric & Body Pins)	\$1,800.00	N/A	N/A
LST-KITPIN-BOX-MT5	Deluxe MT5 Pinkit Box with Tray (Empty)	\$159.00	N/A	N/A
LST-KITPIN-DLX	Deluxe Interactive@+/Classic Pinkit (100 ea. Plug, Master, Solid, & Body Pins)	N/A	\$1,285.25	N/A
LST-KITPIN-REG	Regular Interactive@+/Classic Pinkit (100 ea. Plug & Body Pins)	N/A	\$850.00	N/A
LST-KITPIN-BOX-DLX	Regular/Master/Deluxe Interactive@+/Classic Pinkit Box with Tray (Empty)	N/A	\$249.75	N/A
LST-KITPIN-MINI	Mini Interactive@+/Classic Pinkit (25 ea. Plug & Body Pins)	N/A	\$201.75	N/A
LST-KITPIN-PLG-___	Plug Pins Refill Kit (Specify Platform)	\$1,206.00	\$742.50	\$406.42
LST-KITPIN-NTG	Integrato® Pinkit (100 ea. Plug, Master & Body Pins)	N/A	N/A	\$721.00
LST-KITCYL	Cylinder Maintenance Kit Mortise/Rim/KIK/HD	\$198.50	\$198.50	\$198.50

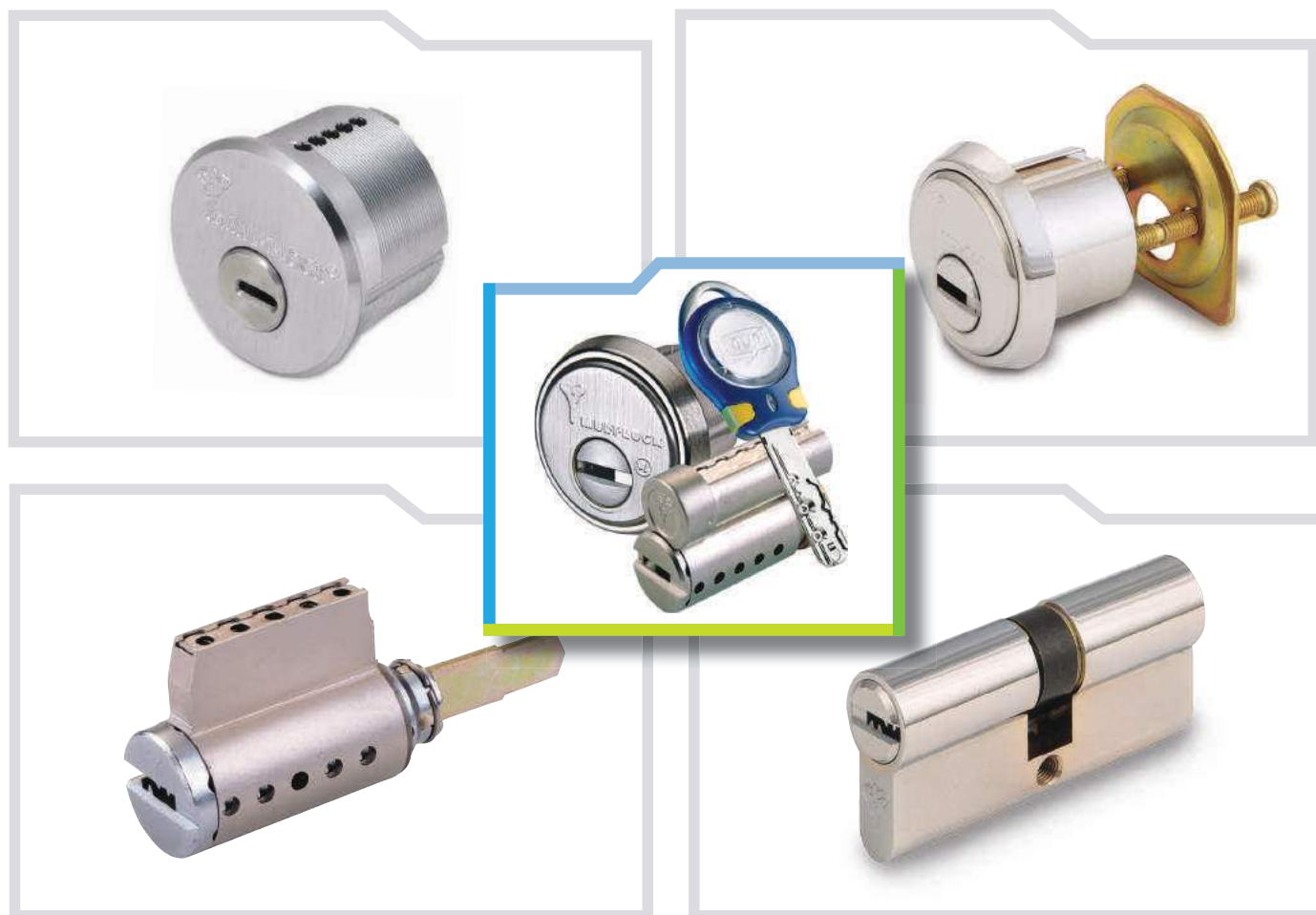
Locksmith Tools

Part #	Description	MT5@+	Interactive@+	
			Classic	Integrator®
LST-SCRWDR/FOLL	Mul-T-Lock Convertible Phillips/Flat Head Screwdriver with Built-In Follower	\$11.05	\$11.05	\$11.05
ADV-LT-PINMAT	Mul-T-Lock Pinning Mat	\$38.42	\$38.42	\$38.42
LST-HOLD-MT5-PLUG	Plastic Pin-Retaining Sleeve for Plug	\$32.11	N/A	N/A
LST-JIG-MT5-PLUG	Plug Loading Block	\$495.79	N/A	N/A
LST-FOLLOW-SLICE	Sliced Cylinder Follower Metal	\$41.58	\$41.58	\$41.58
LST-CCATCH-ST	Cylinder Catch for Standard Cylinders	\$41.58	\$41.58	\$41.58
LST-CCATCH-22	Cylinder Catch for 22mm	\$41.58	\$41.58	\$41.58
LST-CCATCH-19	Cylinder Catch for 19mm	\$41.58	\$41.58	\$41.58
LST-CCATCH-PL	C-Series Padlock Cylinder Clip	\$8.68	\$8.68	\$8.68
LST-GAUGE-EURO	Tool for Measuring Door Prep to Determine Euro Cylinder Size	\$51.58	\$51.58	\$51.58
LST-GAUGE-PIN-___	Pin Measuring Gauge	\$16.32	\$16.32	\$16.32
LST-GAUGE-KEY	Gauge for measuring Key Cuts	\$727.63	\$727.63	\$727.63
LST-DRILLJIG-3IN1	3 in 1 Drill Jig For Cylinder Plugs	\$317.89	\$317.89	\$317.89
LST-LUBE	Mul-T-Lock Lubricant 5 Fl. Oz. Can for post-2010 CLIQ (plugs show "0") & mechanical	\$16.58	\$16.58	\$16.58
LST-LUBE-BOX-12	Mul-T-Lock Lubricant 12 Can POS Display for post-2010 CLIQ (plugs show "0") & mechanical	\$188.16	\$188.16	\$188.16

Key Control

Part #	Description	MT5@+	Interactive@+	
			Classic	Integrator®
FRM-KEY-INDEX	Key Control Index Cards (Pack of 50)	\$15.55	\$15.55	\$15.55
FRM-KEY-DEALER	Key Control Forms-Carbon Paper (Booklet)	\$15.55	\$15.55	\$15.55

MUL-T-LOCK CYLINDERS



Mul-T-Lock's vast range of retrofit cylinders allows for the instant and easy upgrade of existing hardware to high security. Extensive sizes and styles designed to fit the hardware of nearly every major lock manufacturer ensure a seamless transition to high security. In addition, CLIQ® wire-free e-cylinders can just as easily be installed to add audit trail, key scheduling and more in the same amount of time it takes to simply swap a cylinder.

Cylinders



Mortise Cylinders

Part #	Description	MT5®+	Interactive®+ Classic	Integrator®	E-Cylinder (add to price)
KW-MOR0C01-XX	Mortise Cylinder 1" w/Adams Rite® Cam (4 Chamber)	\$134.90	\$119.97	\$90.63	\$503.39
KW-MOR1C02-XX	Mortise Cylinder 1 1/8" w/Yale® Standard Cam	\$134.90	\$119.97	\$90.63	\$503.39
KW-MOR2C02-XX	Mortise Cylinder 1 1/4" w/Yale® Standard Cam	\$140.89	\$122.40	\$91.67	\$503.39
KW-MOR3C02-XX	Mortise Cylinder 1 3/8" w/Yale® Standard Cam	\$149.74	\$130.21	N/A	\$503.39
KW-MOR4C02-XX	Mortise Cylinder 1 1/2" w/Yale® Standard Cam	\$275.52	\$239.58	N/A	\$503.39
KW-MOR6C02-XX	Mortise Cylinder 1 3/4" w/Yale® Standard Cam	\$290.89	\$252.86	N/A	\$503.39
KW-MOR8C02-XX	Mortise Cylinder 2" w/Yale® Standard Cam	\$298.96	\$259.90	N/A	\$503.39

Listed cams come standard when ordering. Please specify if different cam is required.
Mortise cylinders are supplied with security ring (SR1).

Mortise Cylinder Options

Part #	Description	MT5®+	Interactive®+ Classic	Integrator®
SVC-CNV-MOR-SR2	Conversion for Security Ring #2 Mortise/Rim Cylinders	\$3.50	\$3.50	\$3.50
SVC-CNV-MOR-SR3	Conversion for Security Ring #3 Mortise/Rim Cylinders	\$6.50	\$6.50	\$6.50

Mortise Cylinders (Concealed)

Part #	Description	MT5®+	Interactive®+ Classic	Integrator®	E-Cylinder (add to price)
KW-MORCC02-XX	Mortise Cylinder 1 1/8" (Concealed) w/Yale® Standard Cam	\$143.89	\$128.61	N/A	\$503.39

Listed cams come standard when ordering. Please specify if different cam is required.
Supplied without security ring.

Accessories for Mortise Cylinder

Part #	Description	MT5®+	Interactive®+ Classic	Integrator®
PCY-ACC-MOR-JUMBO	Ring Adapter for Corbin® Jumbo Type	\$37.22	\$37.22	\$37.22
PCY-SCR-PLUG-LG	Plug Screw Phillips M2.3 x 10	\$1.39	\$1.39	\$1.39

Mogul Cylinders

Part #	Description	MT5®+	Interactive®+ Classic	Integrator®	E-Cylinder (add to price)
KW-MOGFA2__-XX	Mogul for Adtec® / Folger Adam® / Southern Steel® (Specify Cam: Straight, 90° or 60°)	\$295.00	\$256.50	N/A	\$503.39
KW-MOGAT1__-XX	Mogul for AirTeq® / Norment®	\$295.00	\$256.50	N/A	\$503.39

Special order item - allow additional delivery time.
Straight cam comes as standard when ordering. Please specify if different cam is required.

Cylinders



Reinforced Rim Cylinders

Part #	Description	MT5®+	Interactive®+ Classic	Integrator®	E-Cylinder (add to price)
KW-RIM1VT-XX	Rim Cylinder 1 1/8" w/ Vert. Tail	\$134.90	\$119.97	\$90.63	\$503.39
KW-RIM1HT-XX	Rim Cylinder 1 1/8" w/ Horiz. Tail	\$134.90	\$119.97	\$90.63	\$503.39

Rim cylinders supplied with flat ring. Please specify if different security ring is required.

Rim Cylinders Drilled for Sargent® Devices

Part #	Description	MT5®+	Interactive®+ Classic	Integrator®	E-Cylinder (add to price)
KW-RIMSVT-XX	Rim Cylinder 1 1/8" for Sargent® w/ Vert. Tail	\$141.85	\$120.57	N/A	\$503.39

Rim cylinders for Sargent® devices are supplied with security ring (SR1).

Rim Cylinder Accessories

Part #	Description	MT5®+	Interactive®+ Classic	Integrator®	E-Cylinder (add to price)
PCY-SCR-RIM-SET-LG	Set Screw for Rim Cylinders M5 x 80	\$4.43	\$4.43	\$4.43	N/A

Cylinders for Jimmy Proof Locks

Part #	Description	MT5®+	Interactive®+ Classic	Integrator®	E-Cylinder (add to price)
KW-INJP-XX	Internal Cylinder for Jimmy Proof (4 Chamber)	\$134.90	\$117.19	N/A	N/A
KW-INJP+RIM-XX	Rim & Internal for JP	\$259.64	\$230.99	N/A	N/A

Internal Cylinders for JP will also retrofit Concept® and Segal® Type Locks.

LFIC Retrofit Cylinder for Schlage®

Part #	Description	MT5®+	Interactive®+ Classic	Integrator®	E-Cylinder (add to price)
KW-ICCSH-XX	Replacement for Schlage® Type Large Format IC Core	\$144.01	\$125.26	\$103.65	\$503.39

Control key provided separately - please request when ordering
 Control key cost may be included in the cost of KD, KA, or MK product.
 Control key for service key product are provided at an additional charge (see Special Key Blanks & Cut Key Sections)

LFIC Retrofit Cylinder for Yale®

Part #	Description	MT5®+	Interactive®+ Classic	Integrator®	E-Cylinder (add to price)
KW-ICCYA6-XX	Replacement for 6 Pin Yale® Type Large Format IC Core	\$141.67	\$123.18	\$103.65	\$503.39

Control key provided separately- please request when ordering
 Control key cost may be included in the cost of KD, KA, or MK product.
 Control key for service key product are provided at an additional charge (see Special Key Blanks & Cut Key Sections)

Cylinders



Knob & Lever Replacement Cylinders

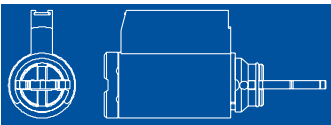
Part #	Description	MT5@+	Interactive@+ Classic	Integrator@	E-Cylinder (add to price)
KW-KIKAL-XX	Cyl. for Alarm Lock® Trilogy	\$131.51	\$114.32	N/A	\$503.39

Fits: Alarm Lock® Trilogy



Part #	Description	MT5@+	Interactive@+ Classic	Integrator@	E-Cylinder (add to price)
KW-KIKARH-XX	Cyl. for Arrow® Knob	\$131.51	\$114.32	N/A	\$503.39

Fits: Arrow® H Series Knobs



Part #	Description	MT5@+	Interactive@+ Classic	Integrator@	E-Cylinder (add to price)
KW-KIKBA-XX	Cyl. for Baldwin® Long	\$131.51	\$114.32	N/A	N/A

Fits: Baldwin® 5215, 5245, 5250, 5255

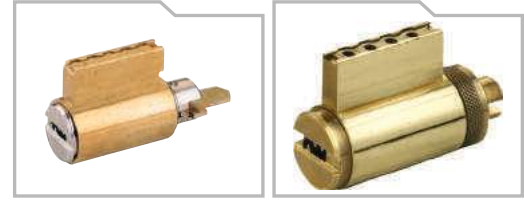


Part #	Description	MT5@+	Interactive@+ Classic	Integrator@	E-Cylinder (add to price)
KW-KIKBA4-XX	Cyl. for Baldwin® Short (4 Chamber)	\$131.51	\$114.32	N/A	N/A

Fits: Baldwin® 5205, 5210, 5270, 5280



Cylinders



Part #	Description	MT5®+	Interactive®+ Classic	Integrator®	E-Cylinder (add to price)
KW-KIKCR-XX	Cyl. for Corbin®	\$131.51	\$114.32	N/A	\$503.39

Fits: Corbin® New Style CK4300, UT5600
 Fits: Corbin® New Style CK4200, UT5200 (Remove Tail)



Part #	Description	MT5®+	Interactive®+ Classic	Integrator®	E-Cylinder (add to price)
KW-KIKEM-XX	Cyl. for Emtek® (4 Chamber)	\$131.51	\$114.32	N/A	N/A

Fits: Emtek® Knobs & Levers



Part #	Description	MT5®+	Interactive®+ Classic	Integrator®	E-Cylinder (add to price)
KW-KIKFA-XX	Cyl. for Kaba® E-plex 2000	\$131.51	\$114.32	N/A	\$503.39

Fits: Falcon® S, X Series

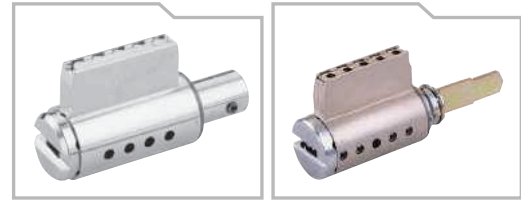


Part #	Description	MT5®+	Interactive®+ Classic	Integrator®	E-Cylinder (add to price)
KW-KIKKA1-XX	Cyl. for Kaba® E-plex 2000	\$131.51	\$114.32	N/A	\$503.39

Fits: EPLEX 2000, 790 RFID, 770 Electronic Lock
 Fits: Generation E-760, Oracode 660K
 Fits: Anderson sliding door locks



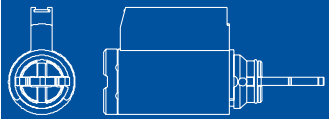
Cylinders



Knob & Lever Replacement Cylinders

Part #	Description	MT5®+	Interactive®+ Classic	Integrator®	E-Cylinder (add to price)
KW-KIKMA-XX	Cyl. for Marks®	\$131.51	\$114.32	N/A	\$503.39

Fits: Marks® Knobs & Levers (Except Classroom Function - See KW-KIKSH-XX)



Part #	Description	MT5®+	Interactive®+ Classic	Integrator®	E-Cylinder (add to price)
KW-KIKMS1-XX	Cyl. for Master®	\$131.51	\$114.32	N/A	\$503.39

Fits: 6621, 6627, 6721, 6727, 6842, 6852, 7042, 7047, 7052 Series
Must use Master® Adaptor # 298-0626



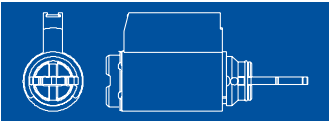
Part #	Description	MT5®+	Interactive®+ Classic	Integrator®	E-Cylinder (add to price)
KW-KIKSA8-XX	Cyl. for Sargent® "8" Line	\$131.51	\$114.32	N/A	\$503.39

Fits: Sargent® 8, 9 Line Knobs



Part #	Description	MT5®+	Interactive®+ Classic	Integrator®	E-Cylinder (add to price)
KW-KIKSA10-XX	Cyl. for Sargent® "10" Line	\$131.51	\$114.32	N/A	\$503.39

Fits: Sargent® 6 Line Knobs (Use Long Tailpiece)
Fits: Sargent® 7, and 10 Line Levers (Use Short Tailpiece)



Part #	Description	MT5®+	Interactive®+ Classic	Integrator®	E-Cylinder (add to price)
KW-KIKSA11-XX	Cyl. for Sargent® "11" Line T-Zone	\$131.51	\$114.32	N/A	\$503.39

Fits: Sargent® 11 Line T-Zone Levers

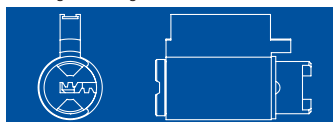


Cylinders



Part #	Description	MT5@+	Interactive@+ Classic	Integrator@	E-Cylinder (add to price)
KW-KIKSAI-XX	Cyl. for Sargent@ Integra@	\$131.51	\$114.32	N/A	\$503.39

Fits: Sargent@ Integra Locks



Part #	Description	MT5@+	Interactive@+ Classic	Integrator@	E-Cylinder (add to price)
KW-KIKSH-XX	Cyl. for Schlage@/Arrow@	\$131.51	\$114.32	\$85.68	\$503.39

Fits: Arrow@ M, H, S, Q Levers
 Fits: Corbin@ CL3300, 3400, 3600, 3700, 4700
 Fits: Corbin@ CL3900 (Use manufacturers original stabilizing sleeve, and tailpiece w/Mul-T-Lock part# PCY-KIK-SPACE1)
 Fits: LSDA@ Knobs & Levers
 Fits: Marks@ 130, 140 Series Deadbolts & Dead latches
 Fits: Schlage@ A, C, D Line Knobs & Levers
 Fits: Schlage@ S Line Knobs & Levers (Use manufacturer's original tailpiece w/Mul-T-Lock part # PCY-KIK-SPACE2)
 Fits: Marks@ Classroom Function Levers (Use manufacturer's original tailpiece w/Mul-T-Lock part # PCY-KIK-SPACE1)
 Fits: General Locks Knobs and levers
 Fits: USCAN Knobs and Levers



Part #	Description	MT5@+	Interactive@+ Classic	Integrator@	E-Cylinder (add to price)
KW-KIKSH4-XX	Cyl. for Schlage@ Plymouth Design (4 Chamber)	\$131.51	\$114.32	N/A	N/A

Fits: Schlage@ A Line Knobs (Plymouth)



Part #	Description	MT5@+	Interactive@+ Classic	Integrator@	E-Cylinder (add to price)
KW-KIKSHF-XX	Cyl. for Schlage@ "F" Line Knob-Orbit Design	\$131.51	\$114.32	N/A	\$503.39

Fits: Schlage@ F Line Knobs (Orbit)-Prior to 2004



Cylinders



Knob & Lever Replacement Cylinders

Part #	Description	MT5®+	Interactive®+ Classic	Integrator®	E-Cylinder (add to price)
KW-KIKSHF4-XX	Cyl. for Schlage® "F" Line Knob-Plymouth Design (4 Chamber)	\$131.51	\$114.32	N/A	N/A

Fits: Schlage® F Line Knobs (Plymouth)-Prior to 2004



Part #	Description	MT5®+	Interactive®+ Classic	Integrator®	E-Cylinder (add to price)
KW-KIKSHFL-XX	Cyl. for Schlage® "F" Line Lever (4 Chamber)	\$131.51	\$114.32	N/A	\$503.39

Fits: Schlage® F Line Levers
Fits: Schlage® FA Series Handlesets



Part #	Description	MT5®+	Interactive®+ Classic	Integrator®	E-Cylinder (add to price)
KW-KIKYA-XX	Cyl. for Yale®	\$131.51	\$114.32	N/A	\$503.39

Fits: Yale® Knobs 5300, 5400, 6100, 6200 (Remove Tailpiece)
Fits: Yale® Levers 5300, 5400



Part #	Description	MT5®+	Interactive®+ Classic	Integrator®	E-Cylinder (add to price)
KW-KIKYIT-XX	Cyl. for Yale® InTouch™ Mechanical Override	\$131.51	\$114.32	\$85.68	\$503.39

Fits: Yale® InTouch™

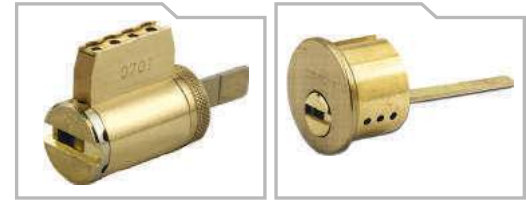


Part #	Description	MT5®+	Interactive®+ Classic	Integrator®	E-Cylinder (add to price)
KW-KIKYRL-XX	Cyl. for Yale® RealLiving™ Lever Mechanical Override	\$131.51	\$114.32	N/A	\$503.39

Fits: Yale® RealLiving™ Lever



Cylinders



Deadbolt Replacement Cylinders

Part #	Description	MT5@+	Interactive@+ Classic	Integrator@	E-Cylinder (add to price)
KW-KIDARD-XX	Cyl. for Arrow® Double DB [2 Cyls.]	\$241.93	\$210.42	N/A	\$607.55

Fits: Arrow® E Series Double Cylinder Deadbolts



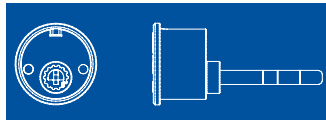
Part #	Description	MT5@+	Interactive@+ Classic	Integrator@	E-Cylinder (add to price)
KW-KIDARD4-XX	Cyl. for Arrow® Double DB [2 Cyls.] [4 Chamber]	\$241.93	\$210.42	N/A	N/A

Fits: Arrow® E Series Double Cylinder Deadbolts (Thin Door)



Part #	Description	MT5@+	Interactive@+ Classic	Integrator@	E-Cylinder (add to price)
KW-KIDBA-XX	Cyl. for Baldwin® Single DB [4 Chamber]	\$146.35	\$127.34	N/A	N/A

Fits: Baldwin® Images Single Cylinder Deadbolts
Fits: Baldwin® 5345 (Upper Deadbolt Portion)



Part #	Description	MT5@+	Interactive@+ Classic	Integrator@	E-Cylinder (add to price)
KW-KIDEM-XX	Cyl. for Emtek® Single DB [4 Chamber]	\$131.51	\$114.32	N/A	N/A

Fits: Emtek® & Yale® Design Series Deadbolts and Handlesets
Fits: Emtek E1000, E1001, E1020, E2000, E2001, E2020, E2200, E2201, E2220 Keypads



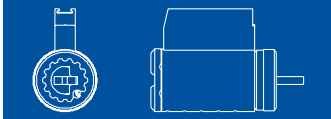
Cylinders



Deadbolt Replacement Cylinders

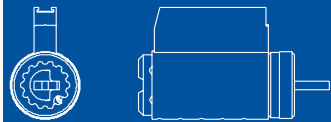
Part #	Description	MT5®+	Interactive®+ Classic	Integrator®	E-Cylinder (add to price)
KW-KIDEMD-XX	Cylinder for Emtek® Double DB (4 Chamber)	\$241.93	\$210.42		N/A

Fits: Emtek® Double Cylinder Deadbolts



Part #	Description	MT5®+	Interactive®+ Classic	Integrator®	E-Cylinder (add to price)
KW-KIDFA-XX	Cylinder for Falcon®/Weiser® Single DB	\$131.51	\$114.32		\$503.39

Fits: Falcon® Single Cylinder Deadbolts
Fits: Weiser® Single Cylinder Deadbolts



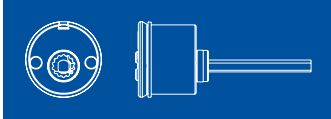
Part #	Description	MT5®+	Interactive®+ Classic	Integrator®	E-Cylinder (add to price)
KW-KIDFA4-XX	Cylinder for Falcon®/Weiser® Single DB (4 Chamber)	\$131.51	\$114.32		N/A

Fits: Falcon® Single Cylinder Deadbolts (Thin Door)
Fits: Weiser® Single Cylinder Deadbolts (Thin Door)
Fits: Baldwin® 5345 (Lower Handle Portion)



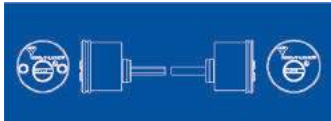
Part #	Description	MT5®+	Interactive®+ Classic	Integrator®	E-Cylinder (add to price)
KW-KIDKW-XX	Cylinder for Kwikset® Titan® Single DB	\$146.35	\$127.34		\$503.39

Fits: Kwikset Titan® Single Cylinder Deadbolts
Available only through special order

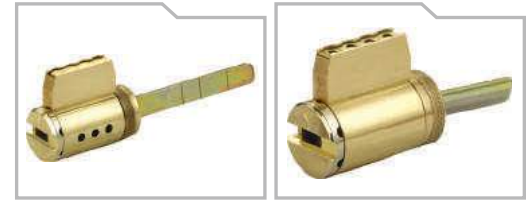


Part #	Description	MT5®+	Interactive®+ Classic	Integrator®	E-Cylinder (add to price)
KW-KIDKWD-XX	Cyl. for Kwikset® Titan® Double DB	\$269.53	\$234.38		\$607.55

Fits: Kwikset Titan® Double Cylinder Deadbolts
Available only through special order



Cylinders



Deadbolt Replacement Cylinders

Part #	Description	MT5®+	Interactive®+ Classic	Integrator®	E-Cylinder (add to price)
KW-KIDSH-XX	Cylinder for Schlage®/Arrow® Single DB	\$131.51	\$114.32	\$85.68	\$503.39

Fits: Arrow® D, E, F Single Cylinder Deadbolts
Fits: Schlage® Single Cylinder Deadbolts



Part #	Description	MT5®+	Interactive®+ Classic	Integrator®	E-Cylinder (add to price)
KW-KIDSH4-XX	Cylinder for Schlage®/Arrow® Single DB (4 Chamber)	\$131.51	\$114.32	N/A	N/A

Fits: Arrow® D, E, F Single Cylinder Deadbolts (Thin Door)
Fits: Schlage® Single Cylinder Deadbolts (Thin Door)



Part #	Description	MT5®+	Interactive®+ Classic	Integrator®	E-Cylinder (add to price)
KW-KIDSHD-XX	Cylinder for Schlage® Double DB (2 Cyls.)	\$241.93	\$210.42	\$157.81	\$607.55

Fits: Schlage® Double Cylinder Deadbolts



Part #	Description	MT5®+	Interactive®+ Classic	Integrator®	E-Cylinder (add to price)
KW-KIDSHD4-XX	Cylinder for Schlage® Double DB (2 Cyls.) (4 Chamber)	\$241.93	\$210.42	N/A	N/A

Fits: Schlage® Double Cylinder Deadbolts (Thin Door)



Part #	Description	MT5®+	Interactive®+ Classic	Integrator®	E-Cylinder (add to price)
KW-KIDSHE-XX	Cyl. for Schlage® Residential Electromechanical Locks (4 Chamber)	\$131.51	\$114.32	N/A	N/A

Fits: Schlage® BE & FBE Series Electromechanical Locks
Use with OEM Tail an Spacer 1



Part #	Description	MT5®+	Interactive®+ Classic	Integrator®	E-Cylinder (add to price)
KW-KIDYRL-XX	Cyl. for Yale® Real Living™ Deadbolt	\$131.51	\$114.32	\$88.80	N/A

Fits: Yale® Real Living™ Deadbolt



Cylinders



European Profile Cylinders-Double

Part #	Description	MT5®+	Interactive®+ Classic	Integrator®	E-Cylinder (add to price)
KW-E33C33D-XX	Double Euro Cyl.- 33X33mm with Cam 00	\$166.00	\$144.00	\$112.00	\$607.55
KW-E33G33D-XX	Double Euro Cyl.- 33X33mm with Gear	\$171.00	\$149.00	\$116.25	\$607.55
KW-E33G43D-XX	Double Euro Cyl.- 33X43mm with Gear	\$171.00	\$149.00	\$116.25	\$607.55
KW-E33C33T-XX	Single Euro Cyl. w/Flat Thumbturn - 33X33mm with Cam 00	\$161.00	\$139.00	\$107.00	\$503.39
KW-E33G33T-XX	Single Euro Cyl. w/Flat Thumbturn - 33X33mm with Gear	\$166.00	\$144.00	\$112.00	\$503.39
KW-E33G43T-XX	Single Euro Cyl. w/Flat Thumbturn - 33X43mm with Gear	\$166.00	\$144.00	\$112.00	\$503.39

Supplied with flat thumbturn. Special sizes and additional thumbturn options available for special order upon request. Additional cost & minimum order quantity will apply.

European Profile Cylinders-Single Half

Part #	Description	MT5®+	Interactive®+ Classic	Integrator®	E-Cylinder (add to price)
KW-E42.5H-XX	Single Half Euro Cyl. Half 42.5mm	\$116.25	\$101.00	N/A	\$503.39

Special sizes available upon request (see chart below). Additional cost & minimum order quantity will apply.
 European profile cylinders may be supplied with Extreme Weather Shutters. Additional cost will apply.
 Additional sizes may also be available through special order - contact your local Territory Manager for additional information.

Double or single cylinder

A	B	C
62	31	31
66	31	35
66	33	33
70	35	35
71	31	40
71	33	38
75	40	35
76	31	45
76	33	43
76	38	38
78	33	45
80	40	40
80	45	35
81	31	50
81	33	48
81	38	43
82	47.5	34.5
83	35	48
83	45	38
85	45	40
85	50	35
86	31	55
86	33	53
86	38	48
86	43	43
88	40	48
88	50	38
90	45	45
90	50	40
90	55	35
91	31	60
91	33	58

A	B	C
91	38	53
91	43	48
93	40	53
93	48	45
95	50	45
95	55	40
95	60	35
96	31	65
96	33	63
96	38	58
96	43	53
96	48	48
100	50	50
100	55	45
100	60	40
100	65	35
101	31	70
101	38	63
101	43	58
101	48	53
101	68	33
105	55	50
105	60	45
105	65	40
105	70	35
106	53	53
110	55	55
110	60	50
110	65	45
110	70	40
110	75	35
111	48	63

A	B	C
115	60	55
115	65	50
115	70	45
115	75	40
115	80	35
116	33	83
118	33	85
120	60	60
120	65	55
120	70	50
120	75	45
120	80	40
125	50	75
125	65	60
125	70	55
125	80	45
130	50	80
130	55	75
130	65	65
130	70	60
130	95	35
135	55	80
135	60	75
135	65	70
135	100	35
136	68	68
140	40	100
140	60	80
140	65	75
140	70	70

Single half cylinder

A	B
40.5	31
42.5	33
44.5	35
47.5	38
49.5	40
52.5	43
54.5	45
57.5	48
59.5	50
64.5	55
69.5	60
74.5	65
79.5	70
84.5	75
89.5	80
99.5	90
134.5	125

Cylinders



Scandinavian Oval Cylinder for ASSA® Type Locks

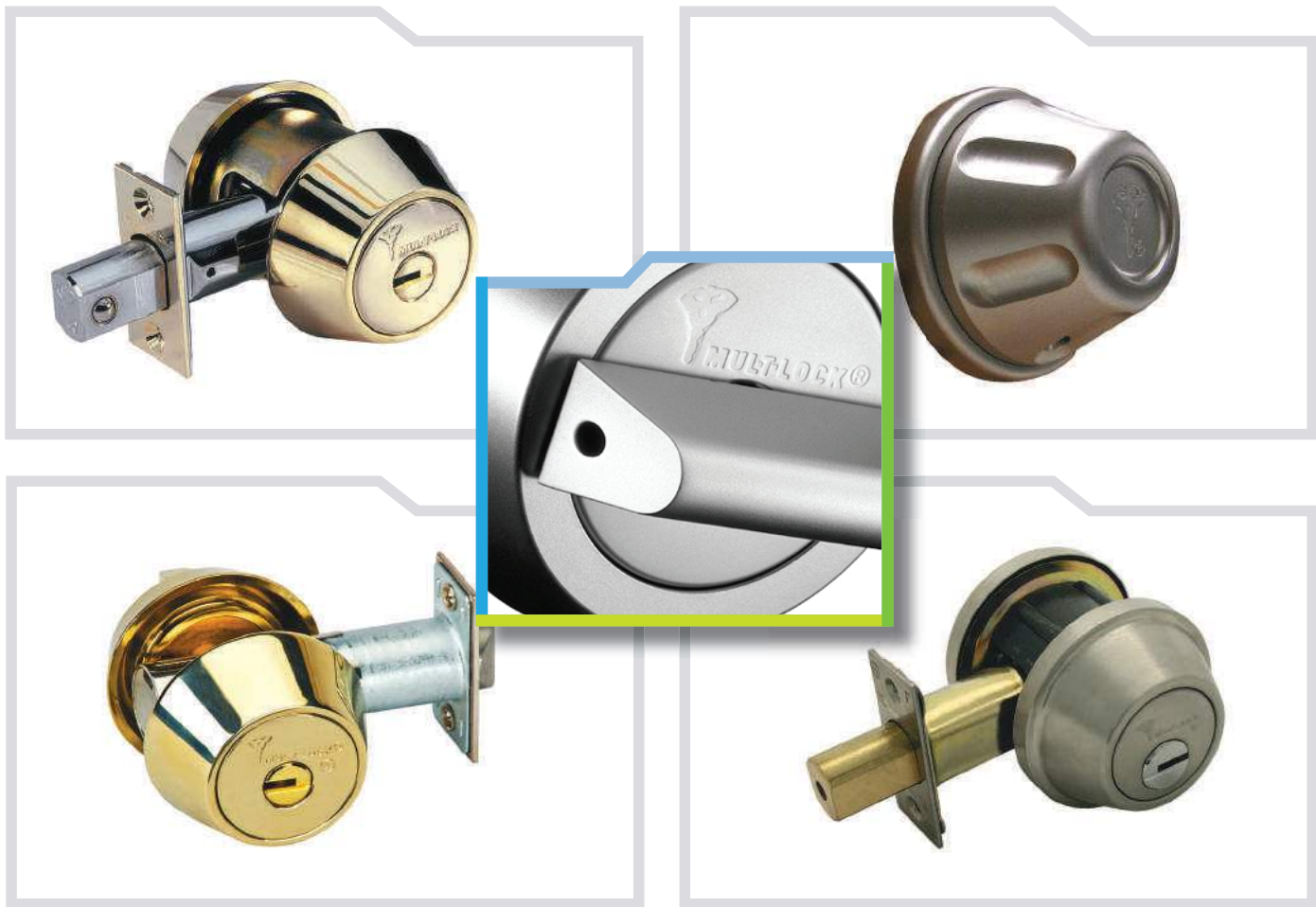
Part #	Description	MT5®+	Interactive®+ Classic	Integrator®	E-Cylinder (add to price)
KW-SCANEXT-XX	ASSA® Type External Oval Cylinder (Anderson)	\$121.88	\$106.25	N/A	\$503.39

KW-SCANEXT cylinder fits Anderson swinging door locks.
Special Order - Additional cost may apply - contact your local Territory Manager for additional information.

Hoppe Cylinder (Limited Rotation Cylinder) (ask peter to help with part #)

Part #	Description	MT5®+	Interactive®+ Classic	Integrator®	E-Cylinder (add to price)
KW-E33C33TH-XX	Single Euro Cyl. w/Flat Thumb Turn - 33X33mm with Cam 00 Limited Rotation	\$189.41	\$163.57	N/A	\$503.39

MUL-T-LOCK DEADBOLTS



Mul-T-Lock's deadbolt offering includes Grade 1 and Grade 2 solutions to provide the right levels of security for the right applications. Grade 1 options include: the premier Herculor® deadbolt in both standard and decorative variations; the Anti-Ligature deadbolt with non-angular design and institutional safety-type locking function, which only allows locking from the outside; and the Grade 1 Latch Lock for areas where self-latching is required. Mul-T-Lock also offers the Grade 2 Cronus® deadbolt, a cost-effective high security solution.

Grade 1 Hercular® Deadbolts



Hercular® Single Cylinder With Thumbturn

Part #	Description	MT5@+	Interactive®+ Classic	Integrator®	E-Cylinder (add to price)
KW-HD1-XX	Hercular® Single w/ Thumb Turn 05 or 26 Finish	\$259.75	\$225.00	N/A	\$503.39
KW-HD1-YY	Hercular® Single w/ Thumb Turn 09, 13, 19, 22 or 25 Finish	\$285.75	\$249.25	N/A	\$503.39
KW-HD1DEC-XX	Decorative Hercular® Single w/ Thumb Turn 05 or 26 Finish	\$263.25	\$229.00	N/A	\$503.39
KW-HD1DEC-YY	Decorative Hercular® Single w/ Thumb Turn 09, 13, 19, 22 or 25 Finish	\$289.75	\$251.75	N/A	\$503.39

Hercular® Double Cylinder

Part #	Description	MT5@+	Interactive®+ Classic	Integrator®	E-Cylinder (add to price)
KW-HD2-XX	Hercular® Double 05 or 26 Finish	\$349.75	\$299.75	N/A	\$607.55
KW-HD2-YY	Hercular® Double 09, 13, 19, 22 or 25 Finish	\$410.50	\$341.75	N/A	\$607.55
KW-HD2DEC-XX	Decorative Hercular® Double 05 or 26 Finish	\$364.50	\$317.00	N/A	\$607.55
KW-HD2DEC-YY	Decorative Hercular® Double 09, 13, 19, 22 or 25 Finish	\$419.00	\$348.00	N/A	\$607.55

Hercular® Double Cylinder Captive Key

Part #	Description	MT5@+	Interactive®+ Classic	Integrator®	E-Cylinder (add to price)
KW-HDC-XX	Hercular® Captive 05 or 26 Finish	\$399.75	\$352.75	N/A	\$503.39
KW-HDC-YY	Hercular® Captive 09, 13, 19, 22, or 25 Finish	\$446.00	\$387.75	N/A	\$503.39
KW-HDCDEC-XX	Decorative (Ext. Only) Hercular® Captive 05 or 26 Finish	\$409.25	\$355.75	N/A	\$503.39
KW-HDCDEC-YY	Decorative (Ext. Only) Hercular® Captive 09, 13, 19, 22, or 25 Finish	\$450.50	\$389.75	N/A	\$503.39

When ordered sub-assembled, the captive (thumb-turn) blank is not included and must be purchased separately, and must be purchased separately (see Special Key Blanks).

Cost will vary for special order finishes: 06 (all Hercular® deadbolts), 22 and 25 (decorative style only)

See product finish availability matrix on inside back cover of book for more details.

All Hercular® Deadbolts supplied with an adjustable backset 2 3/8" to 2 3/4".

Split finish deadbolts available upon request. Use Part # SVC-CNV-HRC-SPLIT.

All Decorative Deadbolt variations (part numbers containing DEC) are supplied with decorative rosettes and decorative thumb-turns.

Accessories for Hercular® Deadbolts

Part #	Description	List
PLK-HRCBLT-DI	Crown for Drive-In Backset for Hercular® Deadbolt (Complete w/Screws)	\$9.38
PLK-SCR-HRCBLT-DI	Screw for Drive-In Crown of Hercular® Deadbolt	\$1.04
PLK-HRCACC-THK-HD1	Thick Door Package for Hercular® Single Deadbolt (Up to 3 1/4" Door)	\$42.71
PLK-HRCACC-THK-HD2	Thick Door Package for Hercular® Double/Captive Key Deadbolt (Up to 3 1/4" Door)	\$42.71
PLK-HRCCYL-EXT-XX	Extension Ring for Hercular® Deadbolt 1 3/8" Doors (Specify Finish)	\$25.00
PLK-HRCBLT-FAC1-XX	Bolt Face Plate 1" for Hercular® Deadbolt (Specify Finish)	\$9.38
PCY-SR-HD1DEC-XX	Decorative-Style Hercular® Deadbolt Rosette (Specify Finish)	\$54.95

Hercular® Deadbolt Options

Part #	Description	List
SVC-CNV-HRC-SPLIT	Conversion for Split Finish Hercular Deadbolt	\$35.79

Grade 1 Anti-Ligature & Latch Locks



Anti-Ligature Deadbolt

Part #	Description	MT5®+	Interactive®+ Classic	Integrator®	E-Cylinder (add to price)
KW-HD1ALG-XX	Hercualr® Single w/ Anti-Ligature Thumb Turn	\$495.56	\$430.83	N/A	\$536.94

Provided with adjustable backset
 Provided in classroom-type function by which inside thumb turn enables unlocking only, while external key can both lock and unlock

Anti-Ligature Latch Lock

Part #	Description	MT5®+	Interactive®+ Classic	Integrator®	E-Cylinder (add to price)
KW-GLL1ALG-XX	Single Anti-Ligature Lockset with Deadlatch	\$495.56	\$430.83	N/A	\$536.94

Available only with 2 3/4" backset
 Provided in storeroom-type function by which inside thumb turn enables unlocking only, while external key can both lock and unlock

Gate Latch Lock

Part #	Description	MT5®+	Interactive®+ Classic	Integrator®	E-Cylinder (add to price)
KW-GLL1U4-XX	Single Self-Latching Lock for Gates 2 3/4" UL Backset	\$323.33	\$281.11	N/A	\$536.94
KW-GLL1U8-XX	Single Self-Latching Lock for Gates 2 3/8" UL Backset	\$323.33	\$281.11	N/A	\$536.94
KW-GLL2U4-XX	Double Self-Latching Lock for Gates 2 3/4" UL Backset	\$434.17	\$377.50	N/A	\$648.06
KW-GLL2U8-XX	Double Self-Latching Lock for Gates 2 3/8" UL Backset	\$434.17	\$377.50	N/A	\$648.06

Prices listed for 05 and 26 finishes only
 Other finishes: call for price

Grade 2 Cronus® Deadbolts



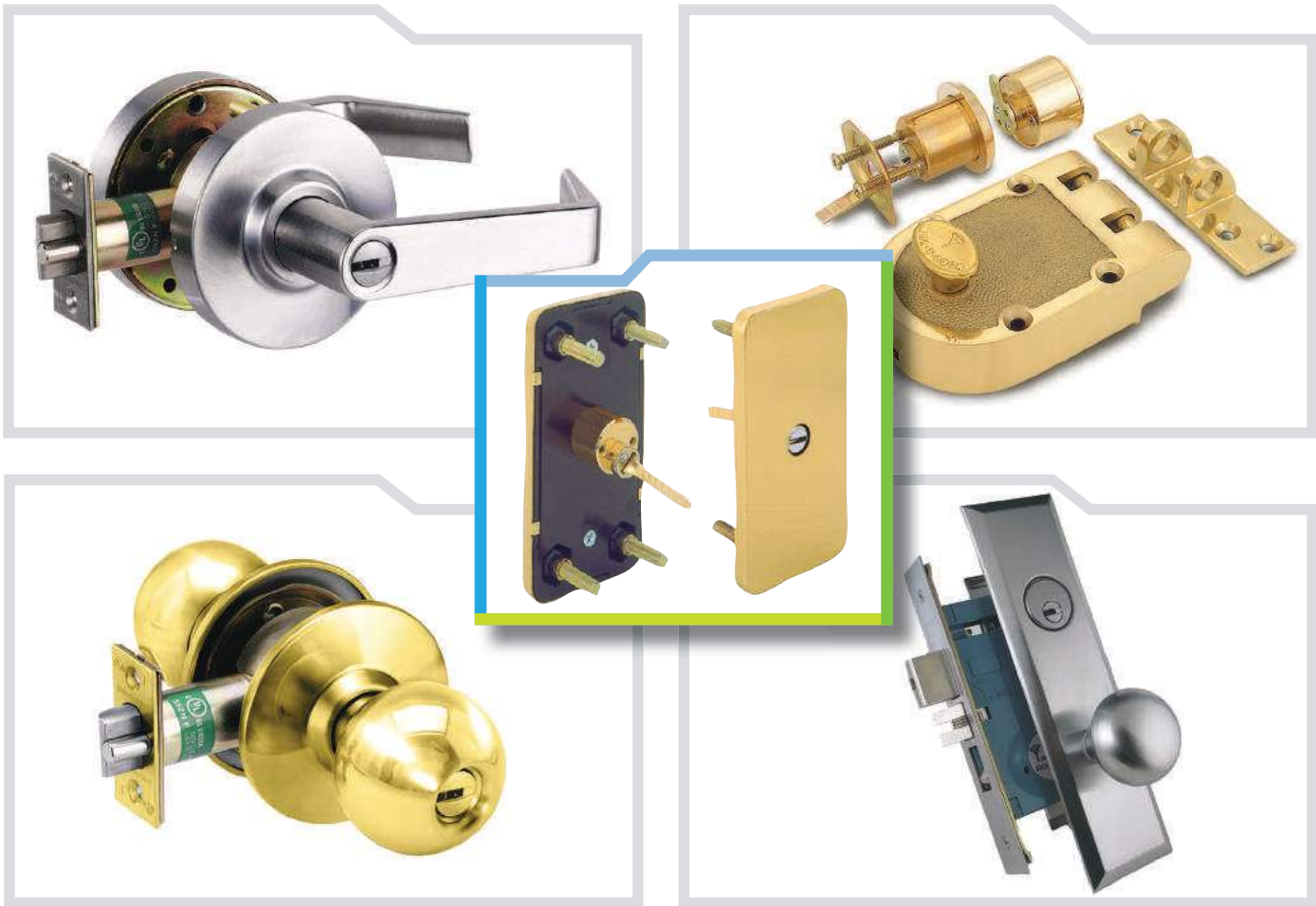
Cronus® Deadbolts

Part #	Description	MT5®+	Interactive®+ Classic	Integrator®
KW-MD1-XX	Cronus® Single w/Thumb Turn	\$190.43	\$165.69	\$140.43
KW-MD2-XX	Cronus® Double	\$303.72	\$264.10	\$211.70

Accessories for Cronus® Deadbolts

Part #	Description	List Price
PLK-BOLT-MD-DRVIN	Drive-In Bolt for Cronus® Deadbolt (26 Finish Only)	\$34.78

MUL-T-LOCK LOCKSETS + HARDWARE



Mul-T-Lock locksets include both mortise and surface-mounted type hardware designed to provide optimal protection. Utilizing the same Mul-T-Lock high security cylinders designed to retrofit other manufacturers' hardware, these locksets offer a convenient, all-in-one solution for pick, drill, bump resistance and/or key control in a quality brand lockset.

Rim Locks



Total Door Protection (TDP) Jimmy Proof Rim Mount Deadlock and Top Guard® w/Cylinder

Part #	Description	MT5®+	Interactive®+ Classic	Integrator®	E-Cylinder (add to price)
KW-TDP-XX	TDP Single JP Deadlock & Top Guard w/ Rim Cyl.	\$305.25	\$291.50	\$208.00	\$483.25

Jimmy Proof Rim Mount Deadlock w/Cylinder

Part #	Description	MT5®+	Interactive®+ Classic	Integrator®	E-Cylinder (add to price)
KW-JPSTD1-XX	Single Cylinder JP Deadlock w/ Rim Cylinder	\$194.53	\$179.97	\$150.26	\$503.39

Top Guard® w/Rim Cylinder

Part #	Description	MT5®+	Interactive®+ Classic	Integrator®	E-Cylinder (add to price)
KW-TOPB/W-XX	Top Guard With Rim Cylinder-Black & White HW	\$267.45	\$253.13	\$223.18	\$503.39
KW-TOPDEC-XX	Top Guard With Rim Cylinder-Decorative HW Set	\$267.45	\$253.13	\$223.18	\$503.39

Mortise Locks & Door Holders



Mortise Lock 2 1/2" Backset 1 1/16" Face Knob Trim

Part #	Description	MT5@+	Interactive@+ Classic	Integrator®	E-Cylinder (add to price)
KW-ML1453SF-XX	Entrance 2 1/2" backset, Standard Face Thru-Bolted Knob Trim	\$230.99	\$216.67	\$186.72	\$503.39
KW-ML9053SF-XX	Entrance 2 1/2" backset, Standard Face Surface Mount Knob Trim	\$230.99	\$216.67	\$186.72	\$503.39

Mul-T-Lock Cylinder (KW-MOR1C02-XX) supplied with each lock.

Mortise Lock 2 1/2" Backset 1 1/4" Face Knob Trim

Part #	Description	MT5@+	Interactive@+ Classic	Integrator®	E-Cylinder (add to price)
KW-ML1453XF-XX	Entrance 2 1/2" backset, Wide Face Thru-Bolted Knob Trim	\$248.70	\$234.38	\$204.43	\$503.39
KW-ML9053XF-XX	Entrance 2 1/2" backset, Wide Face Surface Mount Knob Trim	\$248.70	\$234.38	\$204.43	\$503.39

Mul-T-Lock Cylinder (KW-MOR1C02-XX) supplied with each lock.

Mortise Lock 2 3/4" Backset 1 1/4" Face Knob Trim

Part #	Description	MT5@+	Interactive@+ Classic	Integrator®	E-Cylinder (add to price)
KW-ML1753XF-XX	Entrance 2 3/4" backset, Wide Face Thru-Bolted Knob Trim	\$338.28	\$323.96	\$294.01	\$503.39

Mul-T-Lock Cylinder (KW-MOR1C02-XX) supplied with each lock.

Lever Locksets



Cronus® Passage Function Grade 2 Lever

Part #	Description	MT5®+	Interactive®+ Classic	Integrator®
KW-CL4010U8-XX	Cronus® Grade 2 Lever Passage 2 3/8" UL Backset	\$127.78	\$127.78	\$127.78
KW-CL4010U4-XX	Cronus® Grade 2 Lever Passage 2 3/4" UL Backset	\$127.78	\$127.78	\$127.78

Cronus® Privacy Function Grade 2 Lever

Part #	Description	MT5®+	Interactive®+ Classic	Integrator®
LCK-CL4040U8-XX	Cronus® Grade 2 Lever Privacy 2 3/8" UL Backset	\$130.00	\$130.00	\$130.00
LCK-CL4040U4-XX	Cronus® Grade 2 Lever Privacy 2 3/4" UL Backset	\$130.00	\$130.00	\$130.00

Cronus® Entrance Function Grade 2 Lever w/Cylinder

Part #	Description	MT5®+	Interactive®+ Classic	Integrator®	E-Cylinder (add to price)
KW-CL4053U8-XX	Cronus® Grade 2 (Clutch) Lever Entrance 2 3/8" UL Backset	\$273.89	\$255.56	\$225.00	\$536.94
KW-CL4053U4-XX	Cronus® Grade 2 (Clutch) Lever Entrance 2 3/4" UL Backset	\$273.89	\$255.56	\$225.00	\$536.94

Mul-T-Lock Cylinder (KW-KIKSH-XX) supplied with each lock.

Cronus® Storeroom Function Grade 2 Lever w/Cylinder

Part #	Description	MT5®+	Interactive®+ Classic	Integrator®	E-Cylinder (add to price)
KW-CL4080U8-XX	Cronus® Grade 2 (Clutch) Lever Storeroom 2 3/8" UL Backset	\$273.89	\$255.56	\$225.00	\$536.94
KW-CL4080U4-XX	Cronus® Grade 2 (Clutch) Lever Storeroom 2 3/4" UL Backset	\$273.89	\$255.56	\$225.00	\$536.94

Mul-T-Lock Cylinder (KW-KIKSH-XX) supplied with each lock.

Available finishes for Cronus locksets may vary between levers and knobs.

See product finish availability matrix on inside back cover of book for more details.

Knob Locksets



Cronus® Passage Function Grade 2 Knob (Ball Style)

Part #	Description	MT5®+	Interactive®+ Classic	Integrator®
KW-CK2010U8-XX	Cronus® Grade 2 Ball Knob Passage 2 3/8" UL Backset	\$79.44	\$79.44	\$79.44
KW-CK2010U4-XX	Cronus® Grade 2 Ball Knob Passage 2 3/4" UL Backset	\$79.44	\$79.44	\$79.44

Cronus® Privacy Function Grade 2 Knob (Ball Style)

Part #	Description	MT5®+	Interactive®+ Classic	Integrator®
KW-CK2040U8-XX	Cronus® Grade 2 Ball Knob Privacy 2 3/8" UL Backset	\$81.94	\$81.94	\$81.94
KW-CK2040U4-XX	Cronus® Grade 2 Ball Knob Privacy 2 3/4" UL Backset	\$81.94	\$81.94	\$81.94

Cronus® Entrance Function Grade 2 Knob w/Cylinder (Ball Style)

Part #	Description	MT5®+	Interactive®+ Classic	Integrator®	E-Cylinder (add to price)
KW-CK2053U8-XX	Cronus® Grade 2 Ball Knob Entrance 2 3/8" UL Backset	\$192.78	\$174.44	\$143.89	\$536.94
KW-CK2053U4-XX	Cronus® Grade 2 Ball Knob Entrance 2 3/4" UL Backset	\$192.78	\$174.44	\$143.89	\$536.94

Mul-T-Lock Cylinder (KW-KIKSH-XX) supplied with each lock.

Cronus® Storeroom Function Grade 2 Knob w/Cylinder (Ball Style)

Part #	Description	MT5®+	Interactive®+ Classic	Integrator®	E-Cylinder (add to price)
KW-CK2080U8-XX	Cronus® Grade 2 Ball Knob Storeroom 2 3/8" UL Backset	\$192.78	\$174.44	\$143.89	\$536.94
KW-CK2080U4-XX	Cronus® Grade 2 Ball Knob Storeroom 2 3/4" UL Backset	\$192.78	\$174.44	\$143.89	\$536.94

Mul-T-Lock Cylinder (KW-KIKSH-XX) supplied with each lock.
 Available finishes for Cronus locksets may vary between levers and knobs.
 See product finish availability matrix on inside back cover of book for more details.

MUL-T-LOCK

UTILITY, FURNITURE AND RETAIL LOCKS



Mul-T-Lock's utility and furniture locking solutions bring high security to many sensitive areas that can be difficult to secure. Cam, switch, showcase, plunger, push locks and more allow for the addition of high security to file cabinets, mailboxes, credenzas, retail cases, and many other specialty locations. These items can easily be added to a system that includes deadbolts, knobs, levers, mortise locks and other standard door hardware, allowing users to access many different types of locks with just a single key.

Utility, Furniture & Retail Locks



Cam Lock Ø 3/4" Key Retaining (Enhanced Design)

Part #	Description	MT5®+	Interactive®+ Classic	Integrator®	E-Cylinder (add to price)
KW-CL192KR1-XX	Cam Lock 3/4" x 1 1/8" Key Retaining	N/A	\$97.66	N/A	N/A
KW-CL192KR4-XX	Cam Lock 3/4" x 1 1/2" Key Retaining	N/A	\$100.26	N/A	N/A

Enhanced Design Ø 3/4" key retaining cam locks are UL437 listed for pick and drill resistance. Design improvements include: changes to face plate for added security and an industry standard "double D" stem. Using variations of just 2 body sizes (listed above), 2 security rings, and 2 spacers, cam locks can be transformed into lengths ranging from 5/8" to 1 23/32". Cam Locks may be supplied with Extreme Weather Shutters.

Special Order - Additional cost may apply - contact your local Territory Manager for additional information.

Cam Lock Ø 3/4" Non Key Retaining

Part #	Description	MT5®+	Interactive®+ Classic	Integrator®	E-Cylinder (add to price)
KW-CL19NK5-XX	Cam Lock 3/4" x 5/8" Non Key Retaining (4 Chamber)	N/A	\$85.68	N/A	N/A
KW-CL19NK0-XX	Cam Lock 3/4" x 7/8" Non Key Retaining	N/A	\$85.68	N/A	N/A
KW-CL19NK1-XX	Cam Lock 3/4" x 1 1/8" Non Key Retaining	N/A	\$89.32	N/A	N/A
KW-CL19NK4-XX	Cam Lock 3/4" x 1 1/2" Non Key Retaining	N/A	\$91.67	N/A	N/A

Supplied with flat cam, and with security ring (SR1) and (SR2).

Cam Lock Ø 7/8" Key Retaining

Part #	Description	MT5®+	Interactive®+ Classic	Integrator®	E-Cylinder (add to price)
KW-CL22KR0-XX	Cam Lock 7/8" x 7/8" Key Retaining (4 Chamber)	\$129.43	\$92.97	N/A	N/A
KW-CL22KR1-XX	Cam Lock 7/8" x 1 1/8" Key Retaining	\$129.43	\$92.97	N/A	\$503.39
KW-CL22KR4-XX	Cam Lock 7/8" x 1 1/2" Key Retaining	\$129.43	\$92.97	N/A	\$503.39

Switch Locks

Part #	Description	MT5®+	Interactive®+ Classic	Integrator®	E-Cylinder (add to price)
KW-SW19-XX	Switch Lock Ø 3/4"	N/A	\$115.36	N/A	\$503.39
KW-SW22-XX	Switch Lock Ø 7/8"	\$142.71	\$124.22	N/A	\$503.39
KW-SW29-XX	Switch Lock Ø 1 1/8"	\$214.06	\$186.20	N/A	\$503.39

10 AMP Maximum Function N/O, N/C + Common Single Pole.

Supplied as Momentary Function with Instructions for On/Off Conversion.

T-Handle Lock

Part #	Description	MT5®+	Interactive®+ Classic	Integrator®	E-Cylinder (add to price)
KW-TLOCK-XX	T-Handle Lock with Spring Bolt (4 Chamber)	N/A	\$88.80	N/A	N/A

TLOCK supplied only as Keyed Different, Keyed Alike, Master Keyed

Removable Plug Lock

Part #	Description	MT5®+	Interactive®+ Classic	Integrator®	E-Cylinder (add to price)
KW-REMPG-XX	Removable Plug Lock with Housing and Retainer Nut	N/A	\$157.03	N/A	N/A

Available only through special order. Minimum order requirements apply. Contact your local Territory Manager for additional information.

Utility, Furniture & Retail Locks



Key Deposit Lock

Part #	Description	MT5®+	Interactive®+ Classic	Integrator®	E-Cylinder (add to price)
KW-KEYDEPTU-XX	Key Deposit Lock w/Tube	N/A	\$216.25	N/A	N/A
KW-KEYDEP-XX	Key Deposit Lock Cylinder	N/A	\$150.75	N/A	N/A

Push Lock (Display Cabinet Lock)

Part #	Description	MT5®+	Interactive®+ Classic	Integrator®	E-Cylinder (add to price)
KW-PUSH-XX	Push Lock w/ Bolt (4 Chamber)	N/A	\$121.84	N/A	N/A

Push Locks may be supplied with Extreme Weather Shutters.
Special Order - Additional cost may apply - contact your local Territory Manager for additional information.

Plunger Lock (Display Cabinet Lock)

Part #	Description	MT5®+	Interactive®+ Classic	Integrator®	E-Cylinder (add to price)
KW-PLUNGER-XX	Plunger Lock w/ Bolt (4 Chamber)	N/A	\$150.53	N/A	N/A

Drawer Bolt Lock

Part #	Description	MT5®+	Interactive®+ Classic	Integrator®	E-Cylinder (add to price)
KW-DBL1-XX	Drawer Bolt Lock 7/8" Cylinder Length	N/A	\$121.84	N/A	\$503.39

Drawer Latch Lock

Part #	Description	MT5®+	Interactive®+ Classic	Integrator®	E-Cylinder (add to price)
KW-DLL0-XX	Drawer Latch Lock 1/2" Cylinder Length (4 Chamber)	N/A	\$121.84	N/A	N/A
KW-DLL1-XX	Drawer Latch Lock 7/8" Cylinder Length	N/A	\$121.84	N/A	\$503.39
KW-DLL2-XX	Drawer Latch Lock 1 1/8" Cylinder Length	N/A	\$131.58	N/A	\$503.39

File Cabinet Cylinder

Part #	Description	MT5®+	Interactive®+ Classic	Integrator®	E-Cylinder (add to price)
KW-FCC-XX	File Cabinet Cylinder w/ Bolt (4 Chamber)	N/A	\$121.84	N/A	N/A

FireKing® File Cabinet Cylinder

Part #	Description	MT5®+	Interactive®+ Classic	Integrator®	E-Cylinder (add to price)
KW-FKC-XX	Cylinder for FireKing® Lock w/ Lock Pin and Plastic Encasement (4 Chamber)	N/A	\$160.00	N/A	N/A

Sliding Door Showcase Lock

Part #	Description	MT5®+	Interactive®+ Classic	Integrator®	E-Cylinder (add to price)
KW-SCL1-XX	Sliding Door Showcase Lock without affixing screw (fits doors up to 7 mm in thickness)	N/A	\$144.74	N/A	\$503.39
KW-SCL2-XX	Sliding Door Showcase Lock with affixing screw (fits doors up to 8 mm in thickness)	N/A	\$144.74	N/A	\$503.39

MUL-T-LOCK PADLOCKS



Mul-T-Lock's full-scale padlock range includes an immense variety of padlock types and security grades. Fulfilling many impressive international standards for security, Mul-T-Lock padlocks include round body, square body, shackle-less, sliding bolt, and guarded shackle types as well as combined padlock and hasp solutions and much more. These quality solutions range from extra heavy duty to standard duty and can be used to secure a vast array of applications.

Padlocks



#8 NG-Series Standard Duty Padlock Ø 5/16" Shackle

Part #	Description	MT5®+	Interactive®+ Classic	Integrator®	E-Cylinder (add to price)
KW-NG08LG1	#8 NG-Series with Low Guard (1" Clearance)	\$97.75	\$87.75	\$67.00	\$503.39
KW-NG08LG2	#8 NG-Series with Low Guard (2" Clearance)	\$102.00	\$92.00	\$70.00	\$503.39

All NG-Series padlocks supplied as key retaining only.

#10 NG-Series Standard Duty Padlock Ø 3/8" Shackle

Part #	Description	MT5®+	Interactive®+ Classic	Integrator®	E-Cylinder (add to price)
KW-NG10LG1	#10 NG-Series with Low Guard (1" Clearance)	\$106.25	\$96.25	\$74.00	\$503.39
KW-NG10LG2	#10 NG-Series with Low Guard (2" Clearance)	\$110.25	\$100.25	\$77.50	\$503.39

All NG-Series padlocks supplied as key retaining only.

#10 NE-Series Heavy Duty Padlock Ø 3/8" Shackle

Part #	Description	MT5®+	Interactive®+ Classic	Integrator®	E-Cylinder (add to price)
KW-NE10LE1	#10 NE-Series with Low Guard (1" Clearance)	\$108.50	\$97.75	N/A	\$503.39
KW-NE10LE2	#10 NE-Series with Low Guard (2" Clearance)	\$111.50	\$101.75	N/A	\$503.39
KW-NE10HE1	#10 NE-Series with High Guard (1" Clearance)	\$136.75	\$128.00	N/A	\$503.39

All NE-Series padlocks supplied as key retaining only.

#12 NE-Series Heavy Duty Padlock Ø 1/2" Shackle

Part #	Description	MT5®+	Interactive®+ Classic	Integrator®	E-Cylinder (add to price)
KW-NE12LE1	#12 NE-Series with Low Guard (1" Clearance)	\$111.50	\$103.25	N/A	\$503.39
KW-NE12LE2	#12 NE-Series with Low Guard (2" Clearance)	\$114.50	\$106.25	N/A	\$503.39
KW-NE12HE1	#12 NE-Series with High Guard (1" Clearance)	\$148.50	\$139.75	N/A	\$503.39

All NE-Series padlocks supplied as key retaining only.

#14 NE-Series Heavy Duty Padlock Ø 9/16" Shackle

Part #	Description	MT5®+	Interactive®+ Classic	Integrator®	E-Cylinder (add to price)
KW-NE14LE1	#14 NE-Series with Low Guard (1" Clearance)	\$148.50	\$137.50	N/A	\$503.39
KW-NE14LE2	#14 NE-Series with Low Guard (2" Clearance)	\$151.50	\$140.50	N/A	\$503.39
KW-NE14HE1	#14 NE-Series with High Guard (1" Clearance)	\$185.50	\$174.50	N/A	\$503.39

All NE-Series padlocks supplied as key retaining only.

SBG & SBE (Sliding Bolt) Padlocks

Part #	Description	MT5®+	Interactive®+ Classic	Integrator®	E-Cylinder (add to price)
KW-NG10SB	Sliding Bolt #10 NG-Series Ø 3/8" Bolt (Standard Duty)	\$141.25	\$134.50	N/A	\$503.39
KW-NE12SB	Sliding Bolt #12 NE-Series Ø 1/2" Bolt (Heavy Duty)	\$188.25	\$179.50	N/A	\$503.39

Padlocks



#08 C-Series Padlock Ø 5/16" Shackle

Part #	Description	MT5@+	Interactive@+ Classic	Integrator®
KW-C08PC1	#8 C-Series Pop Shackle Padlock Key Retaining (7/8" Clearance)	\$131.25	\$119.79	N/A
KW-C08PC2	#8 C-Series Pop Shackle Padlock Key Retaining (2" Clearance)	\$134.38	\$122.92	N/A
KW-C08PC3	#8 C-Series Pop Shackle Padlock Key Retaining (4" Clearance)	\$141.67	\$130.21	N/A

#8 Padlocks available in Non Key Retaining. Use Part # SVC-CNV-PL-NKR.

#10 C-Series Padlock Ø 3/8" Shackle

Part #	Description	MT5@+	Interactive@+ Classic	Integrator®	E-Cylinder (add to price)
KW-C10PC1	#10 C-Series Pop Shackle Padlock Key Retaining (1 1/4" Clearance)	\$138.80	\$127.34	N/A	\$503.39
KW-C10PC2	#10 C-Series Pop Shackle Padlock Key Retaining (2 1/2" Clearance)	\$143.75	\$132.29	N/A	\$503.39
KW-C10PC3	#10 C-Series Pop Shackle Padlock Key Retaining (4" Clearance)	\$149.74	\$138.28	N/A	\$503.39
KW-C10PSP	#10 C-Series Pop Shackle Padlock Key Retaining w/ Protector	\$178.13	\$166.67	N/A	\$503.39

#10 Padlocks come standard with Pop Shackle. Removable Shackle available upon request.

#10 Padlocks available in Non Key Retaining. Use Part # SVC-CNV-PL-NKR.

#13 C-Series Padlock Ø 1/2" Shackle

Part #	Description	MT5@+	Interactive@+ Classic	Integrator®	E-Cylinder (add to price)
KW-C13PC1	#13 C-Series Pop Shackle Padlock Key Retaining (1 1/2" Clearance)	\$165.00	\$152.78	N/A	\$503.39
KW-C13PC2	#13 C-Series Pop Shackle Padlock Key Retaining (2 1/4" Clearance)	\$169.72	\$157.50	N/A	\$503.39
KW-C13PC3	#13 C-Series Pop Shackle Padlock Key Retaining (4" Clearance)	\$176.11	\$163.89	N/A	\$503.39
KW-C13PSP	#13 C-Series Pop Shackle Padlock Key Retaining w/ Protector	\$206.11	\$193.89	N/A	\$503.39

#13 Padlocks come standard with Pop Shackle. Removable Shackle available upon request.

#16 C-Series Padlock Ø 5/8" Shackle

Part #	Description	MT5@+	Interactive@+ Classic	Integrator®
KW-C16RC1	#16 C-Series Rem. Shackle Padlock (1 1/2" Clearance)	\$237.24	\$225.78	N/A
KW-C16RC2	#16 C-Series Rem. Shackle Padlock (2 1/4" Clearance)	\$242.19	\$230.73	N/A
KW-C16RC3	#16 C-Series Rem. Shackle Padlock (4" Clearance)	\$248.18	\$236.72	N/A
KW-C16RSP	#16 C-Series Rem. Shackle Padlock w/ Protector	\$276.04	\$264.58	N/A

#35 C-Series Sliding Bolt Padlock

Part #	Description	MT5@+	Interactive@+ Classic	Integrator®
KW-C35SB	Sliding Bolt #35 C-Series Ø 1/2" Bolt	\$245.05	\$233.59	N/A

C-Series Padlocks also available with Blue, Red, and Yellow bodies. Minimum order requirements apply. Contact your local Territory Manager for additional information.

C-Series Padlock Options

Part #	Description	MT5@+	Interactive@+ Classic	Integrator®
SVC-CNV-PL-NKR	Conversion for C-Series Padlock to Non-Key Retaining	\$8.07	\$8.07	N/A

C-Series Padlocks also available with Blue, Red, and Yellow bodies. Minimum order requirements apply. Contact your local Territory Manager for additional information.

Padlocks



ArmaD Locks

Part #	Description	MT5@+	Interactive@+ / Classic	Integrator@
KW-ARMAD-SET	ArmaDlock set of 2 for Rear and Side Doors Keyed Alike	N/A	\$699.00	N/A
KW-ARMAD-BACK	ArmaDlock for Rear Hinged Door	N/A	\$375.00	N/A
KW-ARMAD-SIDE	ArmaDlock for Side Sliding Door	N/A	\$375.00	N/A

Padlocks



TR 100 "Hockey Puck" Padlock

Part #	Description	MT5®+	Interactive®+ Classic	Integrator®
KW-TR100	TR100 "Hockey Puck" Padlock	\$135.16	\$122.92	N/A

TR100 Padlocks are supplied as non-key retaining only.

Padlock TSR Round Body Ø 7/16" shackle

Part #	Description	MT5®+	Interactive®+ Classic	Integrator®
KW-TSR25	TSR Round Body Padlock (1" Clearance) (4 Chamber)	\$124.22	\$113.80	N/A
KW-TSR50	TSR Round Body Padlock (2" Clearance) (4 Chamber)	\$129.17	\$118.75	N/A

TSR Padlocks are supplied as non-key retaining only.

Padlocks



Hasp Lock

Part #	Description	MT5@+	Interactive@+ Classic	Integrator@
KW-HASP13	Combined Padlock and Hasp (No Removable Parts) #13 Ø 1/2" Bolt	\$399.72	\$347.50	N/A

Hasps For C-Series Removable Shackle Padlock

Part #	Description	MT5@+	Interactive@+ Classic	Integrator@
PAD-ACC-HASPS10	Hasps for #10 Removable C-Series Padlock	\$143.89	\$143.89	N/A
PAD-ACC-HASPS13	Hasps for #13 Removable C-Series Padlock	\$161.39	\$161.39	N/A
PAD-ACC-HASPS16	Hasps for #16 Removable C-Series Padlock	\$180.00	\$180.00	N/A

Shackle Protectors for C-Series Padlocks

Part #	Description	MT5@+	Interactive@+ Classic	Integrator@
PPL-ACC-CSP10P	Shackle Protector for #10 Pop C-Series Padlock	\$45.56	\$45.56	N/A
PPL-ACC-CSP10R	Shackle Protector for #10 Removable C-Series Padlock	\$45.56	\$45.56	N/A
PPL-ACC-CSP13P	Shackle Protector for #13 Pop C-Series Padlock	\$48.89	\$48.89	N/A
PPL-ACC-CSP13R	Shackle Protector for #13 Removable C-Series Padlock	\$48.89	\$48.89	N/A
PPL-ACC-CSP16R	Shackle Protector for #16 Removable C-Series Padlock	\$57.50	\$57.50	N/A
PPL-SCR-C-SP	Screw for Shackle Protector for C-Series Padlocks (One Size Fits All)	\$2.50	\$2.50	N/A

Hasps For T-Series Padlock

Part #	Description	MT5@+	Interactive@+ Classic	Integrator@
PAD-ACC-HASPSTR100	TR100 "Hockey Puck" Hasp	\$49.72	\$49.72	N/A

Padlock Tetherst

Part #	Description	List
DPPL-ACC-NE08-CHAIN	Tether Chain For Padlock NE8	\$6.00
DPPL-ACC-NE10-CHAIN	Tether Chain For Padlock NE10	\$6.00
DPPL-ACC-NE12-CHAIN	Tether Chain For Padlock NE12	\$6.00
DPPL-ACC-NE14-CHAIN	Tether Chain For Padlock NE14	\$6.00

High Security Chain

Part #	Description	List
PAD-CHAIN-100	100 Feet of Square Link Chain with Cloth Jacket	\$1,250.00

MUL-T-LOCK JUNIOR™

Mul-T-Lock offers a value minded option when all you need is an economical solution for your door. Mul-T-Lock Junior™ utilizes the technology and manufacturing that you have come to expect from Mul-T-Lock® so you do not have to compromise on quality by settling for imitations.

» FEATURES AND SPECIFICATIONS

- High quality, standard level of security cylinder
- Cost effective solution when high security is not needed
- 3 keys and 1 card per cylinder / lock
- 5 Chamber pin within pin
- Available as keyed different only*
- Card is provided for convenience but not used in key control
- Conveniently sold in boxes of 10 units



* Padlocks are available as keyed alike by 10.

* Key in knob cylinders are also available keyed alike in pairs for use in double cylinder deadbolts.

Mul-T-Lock Junior



Junior™

Part #	Description	List
008J-KEYBLK-100	Junior™ Key Blanks (sold in packs of 100 only)	\$275.00
Ø008J-E33C33T-NS-D	Euro Profile Single Cylinder w/Cam and Flat Thumb Turn 33 x33 mm	\$59.80
Ø008J-E33C33D-NS-D	Euro Profile Double Cylinder w/Cam 33 x33 mm	\$59.80
Ø008J-JPSTD1-__-D	Single Cylinder JP Deadlock w/Rimo Cylinder	\$116.80
Ø008J-MD1-__-D	Cronus® Single Cylinder Grade 2 Deadbolt; Includes Card & 3 Cut Keys	\$99.95
Ø008J-MD2-__-D	Cronus® Double Cylinder Grade 2 Deadbolt; Includes Card & 3 Cut Keys	\$148.95
Ø008J-KIK/DSH-__-D	KIK Cylinder Includes Fixed & Lazy Tails, Card & 3 Cut Keys	\$39.80
Ø008J-RIMO-__-D	Rim / Mortise Cylinder Includes Standard Cam, Vertical Tail, Card & 3 Cut Keys	\$39.80
008J-TSR25-D	TSR Round Body Padlock (1" Clearance); Includes Card & 3 Cut Keys	\$65.00
008J-TSR25-A10	TSR Round Body Padlock (1" Clearance); Keyed Alike by 10; Inc. Card & 3 Keys Each Padlock	\$65.00
008J-TSR50-D	TSR Round Body Padlock (2" Clearance); Includes Card & 3 Cut Keys	\$75.00
008J-TSR50-A10	TSR Round Body Padlock (2" Clearance); Keyed Alike by 10; Inc. Card & 3 Keys Each Padlock	\$75.00

All Junior™ Cylinders are Entry Level, non UL, Available in One Keyway: 008J
Cylinders are available in packs of 10

Finishes are only available as listed below:

For RIMO's and KIK's - Brass (605/US3) & Satin Chrome (626/US26D)

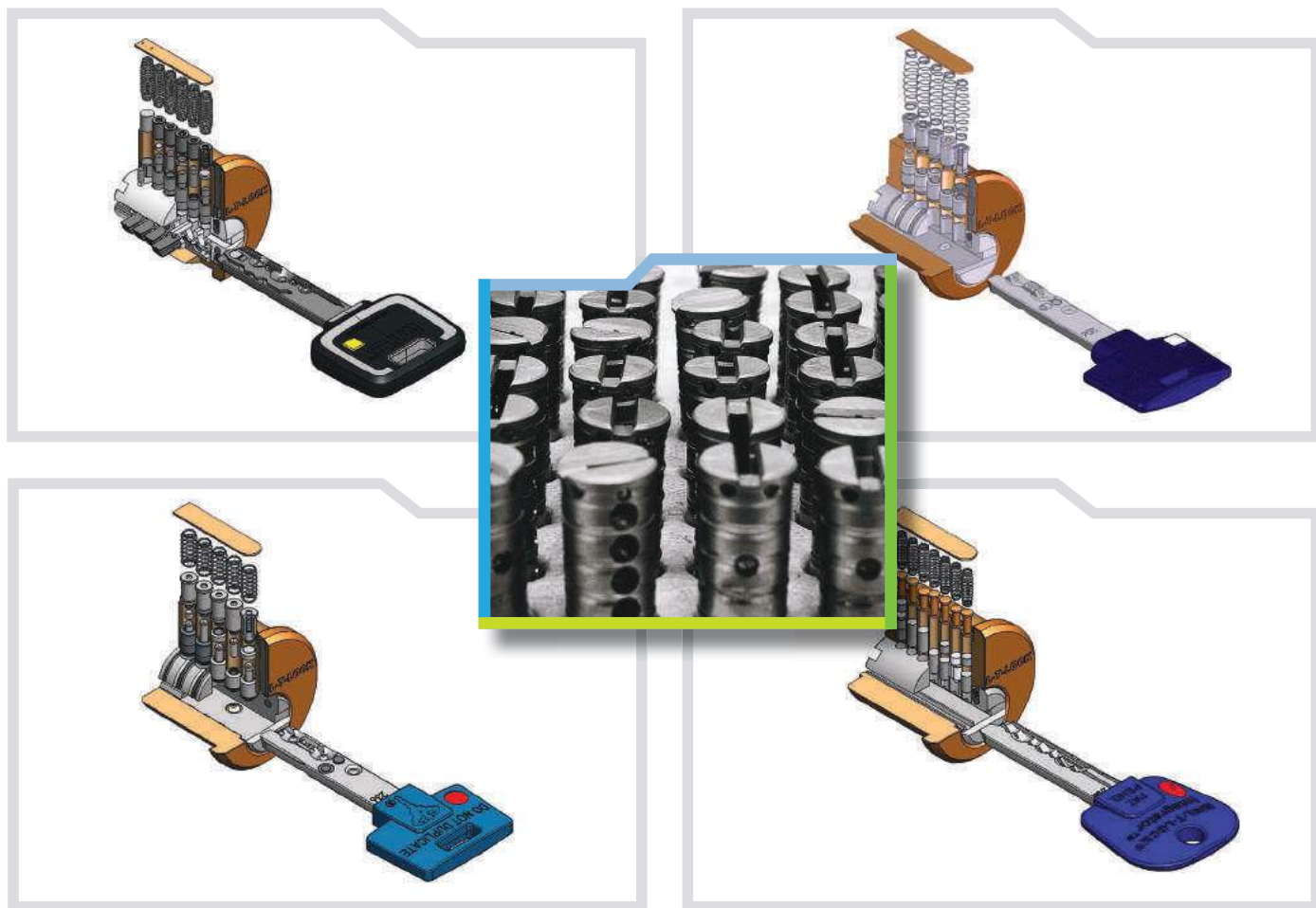
For Euro Profile Cylinders - NS Nickel Satin

For Cronus® Deadbolts - Brass (605/US3), Antique Brass (609/US5), Oil Rubbed Bronze (613/US10B), & Stainless Steel (630/US32D)

All Junior™ Cylinders are Available as Keyed Different ONLY - Each Cylinder is Supplied with Key Order Card & 3 Cut Keys

TSR Padlocks will be available in the Spring of 2016

MUL-T-LOCK PARTS



Mul-T-Lock provides all the spare parts and components you need to easily re-key, repair, replace, and adapt your items as needed. Replacement pins, springs, spacers, cams, plugs, thumbturns, screws, shackles and more are offered to help get the job done right.

PARTS

Cylinder Parts - Pins	86
Cylinder Parts	100
Hercular® Deadbolt Parts	138
Anti-Ligature Deadbolt & Gate Latch Lock Parts	142
Top Guard® Parts	143
Utility & Furniture Lock Parts	144
Padlock Parts	160
Key Cutting Machine Parts	170

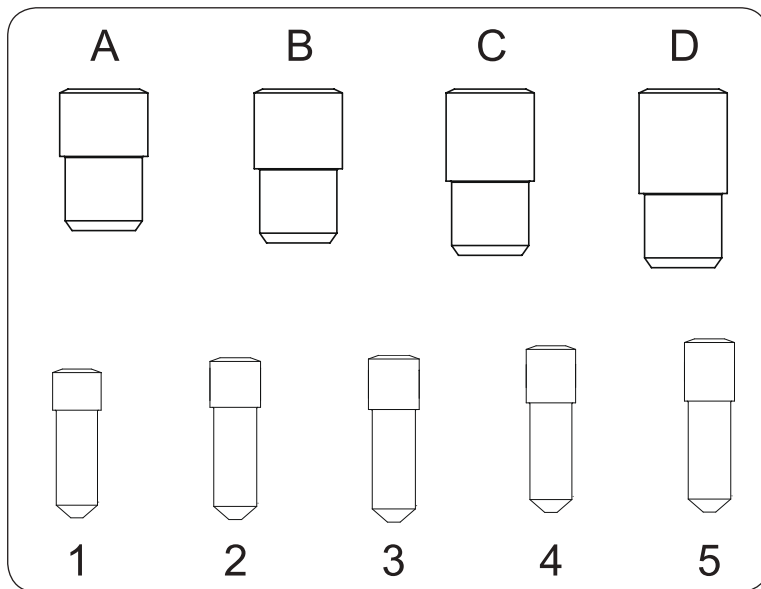
MT5®+ Cylinder Parts-Keying & Master Keying Components

MT5®+ Internal Plug Pins

Part #	Description	MT5®+	Interactive®+ Classic	Integrator®
PCY-MTPIN-PLG-1	Internal Plug Pin Nickel Silver 1 (Bag of 100)	\$85.00	N/A	N/A
PCY-MTPIN-PLG-2	Internal Plug Pin Nickel Silver 2 (Bag of 100)	\$85.00	N/A	N/A
PCY-MTPIN-PLG-3	Internal Plug Pin Nickel Silver 3 (Bag of 100)	\$85.00	N/A	N/A
PCY-MTPIN-PLG-4	Internal Plug Pin Nickel Silver 4 (Bag of 100)	\$85.00	N/A	N/A
PCY-MTPIN-PLG-5	Internal Plug Pin Nickel Silver 5 (Bag of 100)	\$85.00	N/A	N/A

MT5®+ External Plug Pins

Part #	Description	MT5®+	Interactive®+ Classic	Integrator®
PCY-MTPIN-PLG-A	External Plug Pin Nickel Silver A (Bag of 100)	\$85.00	N/A	N/A
PCY-MTPIN-PLG-B	External Plug Pin Nickel Silver B (Bag of 100)	\$85.00	N/A	N/A
PCY-MTPIN-PLG-C	External Plug Pin Stainless Steel C (Bag of 100)	\$85.00	N/A	N/A
PCY-MTPIN-PLG-D	External Plug Pin Stainless Steel D (Bag of 100)	\$85.00	N/A	N/A



MT5®+ Cylinder Parts-Keying & Master Keying Components

MT5®+ Finger Pins

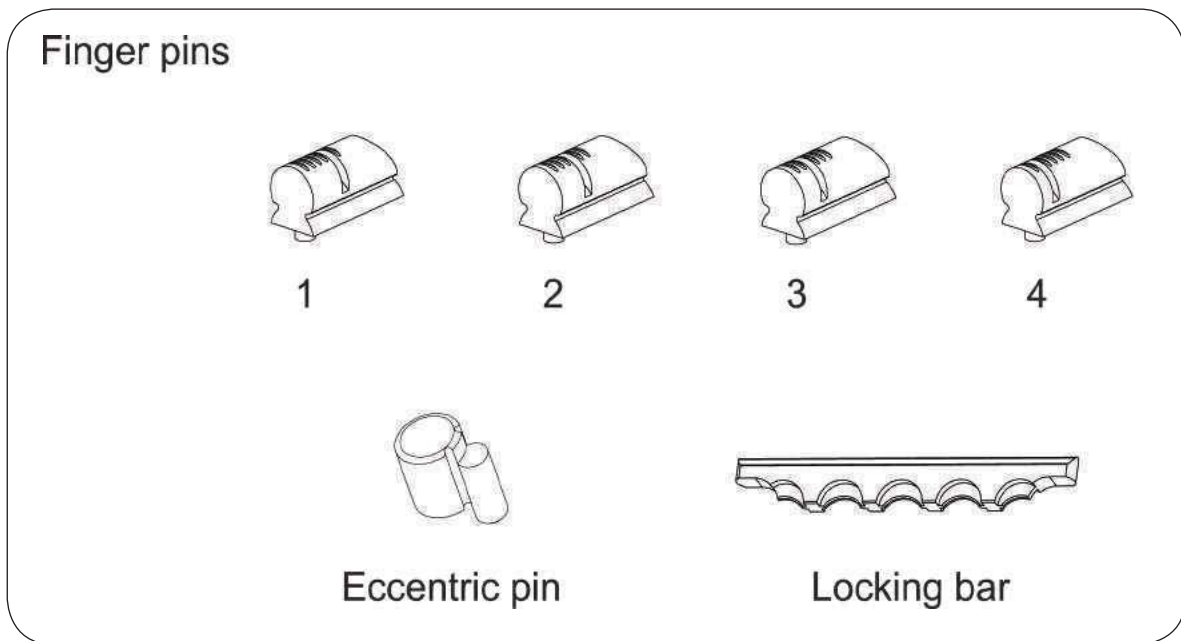
Part #	Description	MT5®+	Interactive®+ Classic	Integrator®
PCY-MTPIN-FIN-1	Finger Pin Nickel Silver 1 (Bag of 100)	\$115.00	N/A	N/A
PCY-MTPIN-FIN-2	Finger Pin Nickel Silver 2 (Bag of 100)	\$115.00	N/A	N/A
PCY-MTPIN-FIN-3	Finger Pin Nickel Silver 3 (Bag of 100)	\$115.00	N/A	N/A
PCY-MTPIN-FIN-4	Finger Pin Nickel Silver 4 (Bag of 100)	\$115.00	N/A	N/A

MT5®+ Locking Bar Components

Part #	Description	MT5®+	Interactive®+ Classic	Integrator®
PCY-MTPIN-BAR5	Side Locking Bar For 5-Chamber Product (Bag of 100)	\$144.00	N/A	N/A
PCY-MTPIN-BAR4	Side Locking Bar For 4-Chamber Product (Bag of 100)	\$144.00	N/A	N/A
PCY-MTSPR-BAR	Spring For Side Locking Bar (Bag of 100)	\$35.44	N/A	N/A

MT5®+ Eccentric Pin for Alpha Spring Components

Part #	Description	MT5®+	Interactive®+ Classic	Integrator®
PCY-MTPIN-ALPHAECC	Alpha Spring Eccentric Pin (Bag of 100)	\$115.00	N/A	N/A
PCY-MTPIN-BOD-ALPH	Body Pin For Alpha Spring Eccentric Pin (Bag of 100)	\$140.00	N/A	N/A



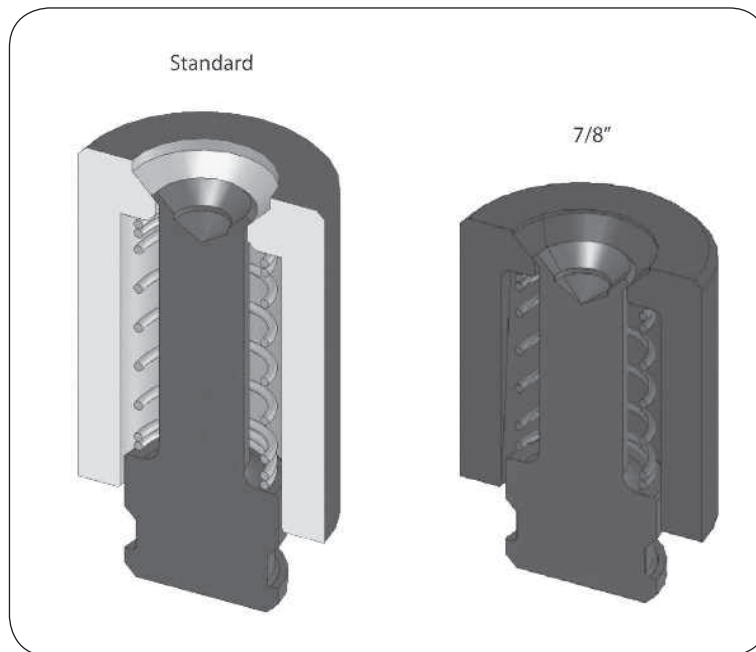
MT5®+ Cylinder Parts-Keying & Master Keying Components

MT5®+ Combined Body Pins

Part #	Description	MT5®+	Interactive®+ Classic	Integrator®
PCY-MTPIN-BOD-STD	Body Pin Nickel Silver for Standard Product (Bag of 100)	\$144.00	N/A	N/A
PCY-MTPIN-BOD-7/8	Body Pin Nickel Silver for 7/8" Ø Product (Bag of 100)	\$144.00	N/A	N/A
PCY-MTPIN-BODSTDS1	Standard Body Pin Replaces Solid #1 (Bag of 100)	\$129.60	N/A	N/A
PCY-MTPIN-BOD7/8S1	7/8" Body Pin Replaces Int #1 (Bag of 100)	\$129.60	N/A	N/A
PCY-MTPIN-BODSTDS2	Standard Body Pin Replaces two Solid #1s (Bag of 100)	\$144.00	N/A	N/A
PCY-MTPIN-BOD7/8S2	7/8" Body Pin Replaces two Solid #1s (Bag of 100)	\$144.00	N/A	N/A

MT5®+ Body Springs

Part #	Description	MT5®+	Interactive®+ Classic	Integrator®
PCY-MTSPR-BOD-STD	Body Spring Stainless Steel for Standard Product (Bag of 100)	\$35.44	N/A	N/A
PCY-MTSPR-BOD-7/8	Body Spring Stainless Steel for KIK/KID, 7/8" Ø Product (Bag of 100)	\$35.44	N/A	N/A



MT5®+ Cylinder Parts-Keying & Master Keying Components

MT5®+ Internal Master Disks

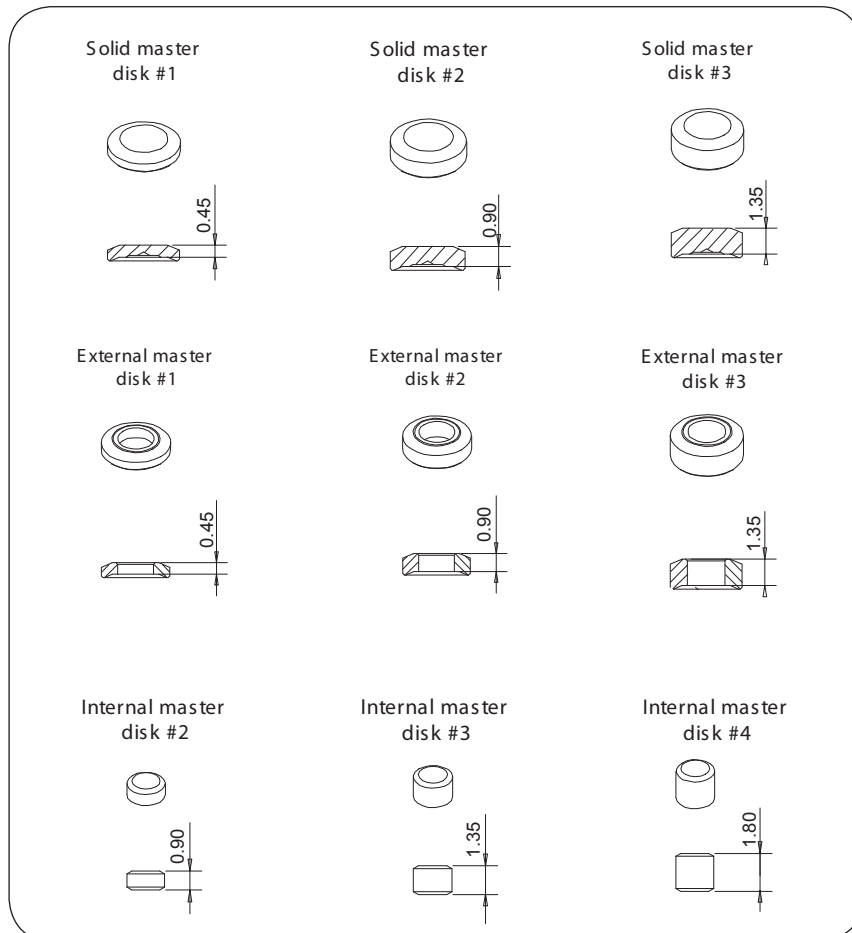
Part #	Description	MT5®+	Interactive®+ Classic	Integrator®
PCY-MTPIN-M-INT2	Internal Master Disk Nickel Silver 2 (Bag of 100)	\$90.00	N/A	N/A
PCY-MTPIN-M-INT3	Internal Master Disk Nickel Silver 3 (Bag of 100)	\$90.00	N/A	N/A
PCY-MTPIN-M-INT4	Internal Master Disk Nickel Silver 4 (Bag of 100)	\$90.00	N/A	N/A

MT5®+ External Master Disks

Part #	Description	MT5®+	Interactive®+ Classic	Integrator®
PCY-MTPIN-M-EXT1	External Master Disk Nickel Silver 1 (Bag of 100)	\$90.00	N/A	N/A
PCY-MTPIN-M-EXT2	External Master Disk Nickel Silver 2 (Bag of 100)	\$90.00	N/A	N/A
PCY-MTPIN-M-EXT3	External Master Disk Nickel Silver 3 (Bag of 100)	\$90.00	N/A	N/A

MT5®+ Solid Master Disks

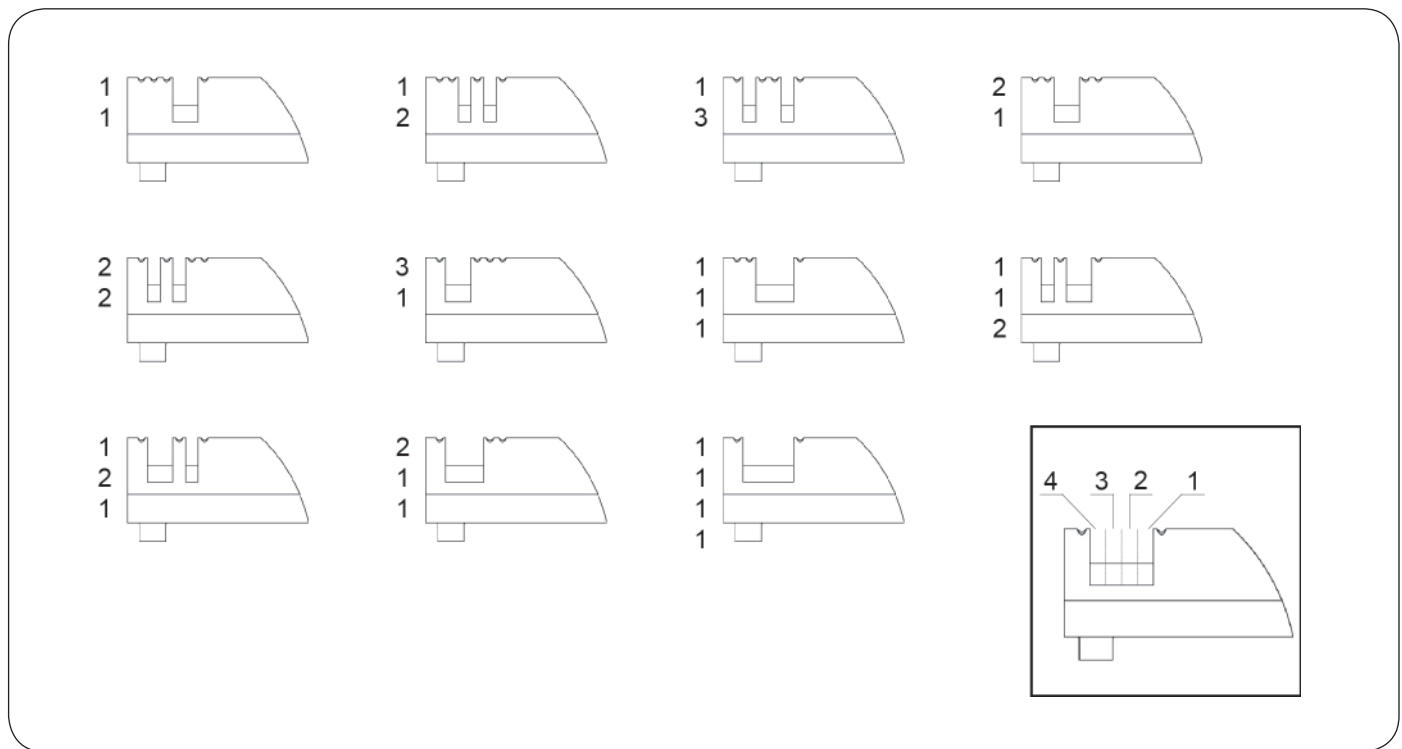
Part #	Description	MT5®+	Interactive®+ Classic	Integrator®
PCY-MTPIN-M-SOL1	Solid Master Disk Nickel Silver 1 (Bag of 100)	\$90.00	N/A	N/A
PCY-MTPIN-M-SOL2	Solid Master Disk Nickel Silver 2 (Bag of 100)	\$90.00	N/A	N/A
PCY-MTPIN-M-SOL3	Solid Master Disk Nickel Silver 3 (Bag of 100)	\$90.00	N/A	N/A
PCY-MTPIN-M-SOL4	Solid Master Disk Nickel Silver 4 (Bag of 100)	\$90.00	N/A	N/A



MT5®+ Cylinder Parts-Keying & Master Keying Components

MT5®+ Finger Master Pins

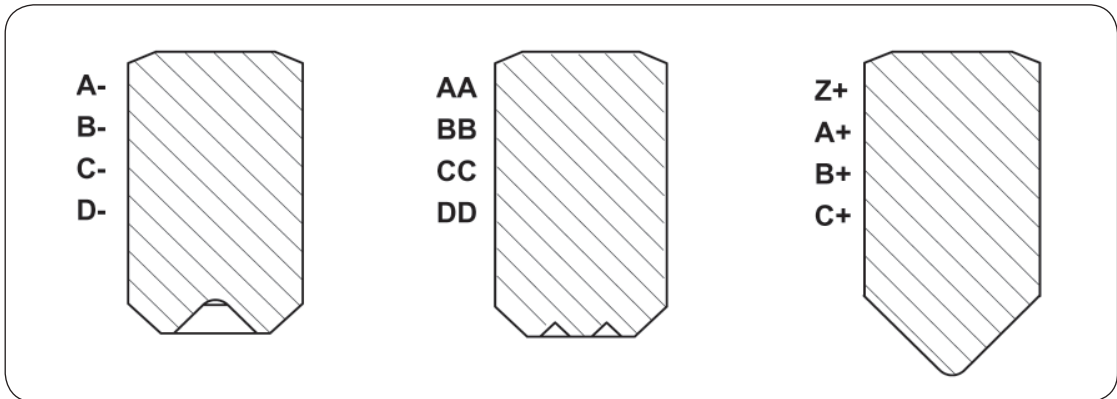
Part #	Description	MT5®+	Interactive®+ Classic	Integrator®
PCY-MTPIN-M-FIN11	Finger Master Pin Nickel Silver 11 (Bag of 100)	\$125.00	N/A	N/A
PCY-MTPIN-M-FIN12	Finger Master Pin Nickel Silver 12 (Bag of 100)	\$125.00	N/A	N/A
PCY-MTPIN-M-FIN13	Finger Master Pin Nickel Silver 13 (Bag of 100)	\$125.00	N/A	N/A
PCY-MTPIN-M-FIN21	Finger Master Pin Nickel Silver 21 (Bag of 100)	\$125.00	N/A	N/A
PCY-MTPIN-M-FIN22	Finger Master Pin Nickel Silver 22 (Bag of 100)	\$125.00	N/A	N/A
PCY-MTPIN-M-FIN31	Finger Master Pin Nickel Silver 31 (Bag of 100)	\$125.00	N/A	N/A
PCY-MTPIN-M-FIN111	Finger Master Pin Nickel Silver 111 (Bag of 100)	\$125.00	N/A	N/A
PCY-MTPIN-M-FIN112	Finger Master Pin Nickel Silver 112 (Bag of 100)	\$125.00	N/A	N/A
PCY-MTPIN-M-FIN121	Finger Master Pin Nickel Silver 121 (Bag of 100)	\$125.00	N/A	N/A
PCY-MTPIN-M-FIN211	Finger Master Pin Nickel Silver 211 (Bag of 100)	\$125.00	N/A	N/A
PCY-MTPIN-M-FIN1111	Finger Master Pin Nickel Silver 1111 (Bag of 100)	\$125.00	N/A	N/A



MT5®+ Cylinder Parts-Keying & Master Keying Components

MT5®+ Solid External Plug Pins For Master Keying

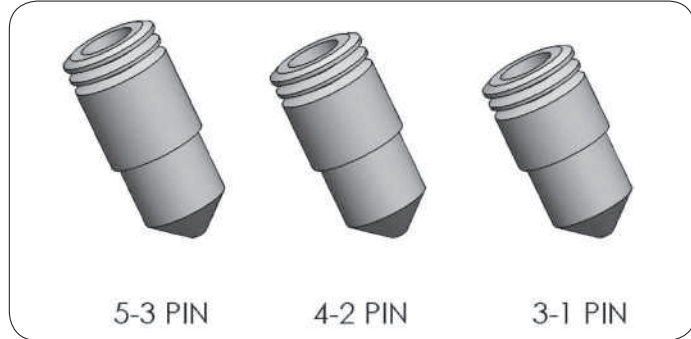
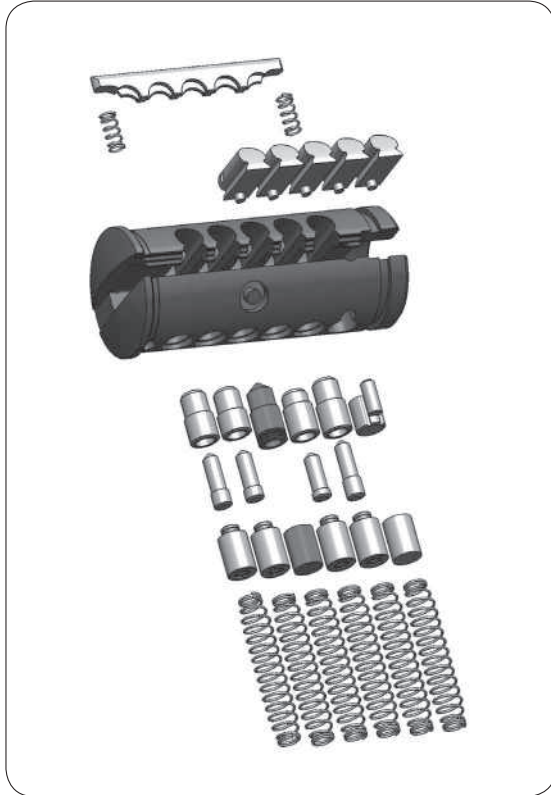
Part #	Description	MT5®+	Interactive®+ Classic	Integrator®
PCY-MTPIN-SOL+Z	Solid Plug Pin Protrusion +Z (Bag of 100)	\$90.00	N/A	N/A
PCY-MTPIN-SOL+A	Solid Plug Pin Protrusion +A (Bag of 100)	\$90.00	N/A	N/A
PCY-MTPIN-SOL+B	Solid Plug Pin Protrusion +B (Bag of 100)	\$90.00	N/A	N/A
PCY-MTPIN-SOL+C	Solid Plug Pin Protrusion +C (Bag of 100)	\$90.00	N/A	N/A
PCY-MTPIN-SOL-A	Solid Plug Pin Depression - A (Bag of 100)	\$90.00	N/A	N/A
PCY-MTPIN-SOL-B	Solid Plug Pin Depression - B (Bag of 100)	\$90.00	N/A	N/A
PCY-MTPIN-SOL-C	Solid Plug Pin Depression - C (Bag of 100)	\$90.00	N/A	N/A
PCY-MTPIN-SOL-D	Solid Plug Pin Depression - D (Bag of 100)	\$90.00	N/A	N/A
PCY-MTPIN-SOLAA	Solid Plug Pin Uniform AA (Bag of 100)	\$90.00	N/A	N/A
PCY-MTPIN-SOLBB	Solid Plug Pin Uniform BB (Bag of 100)	\$90.00	N/A	N/A
PCY-MTPIN-SOLCC	Solid Plug Pin Uniform CC (Bag of 100)	\$90.00	N/A	N/A
PCY-MTPIN-SOLDD	Solid Plug Pin Uniform DD (Bag of 100)	\$90.00	N/A	N/A



MT5®+ Cylinder Parts-Keying & Master Keying Components

MT5®+ 3 in 1 Internal Plug Pins

Part #	Description	MT5®+	Interactive®+	Integrator®
			Classic	
PCY-MTPIN-V-1-3	Internal Plug Pin Nickel Silver "3in1" 1 to 3 (Bag of 100)	\$167.20	N/A	N/A
PCY-MTPIN-V-2-4	Internal Plug Pin Nickel Silver "3in1" 2 to 4 (Bag of 100)	\$167.20	N/A	N/A
PCY-MTPIN-V-3-5	Internal Plug Pin Nickel Silver "3in1" 3 to 5 (Bag of 100)	\$167.20	N/A	N/A



Interactive®+/Classic Cylinder Parts-Keying & Master Keying Components

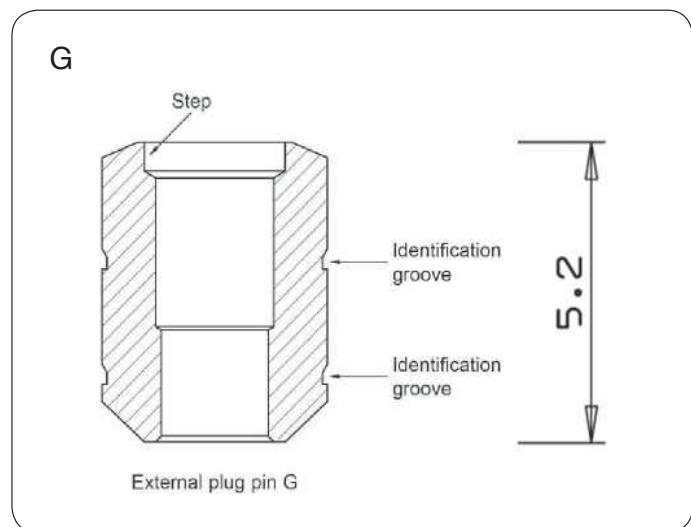
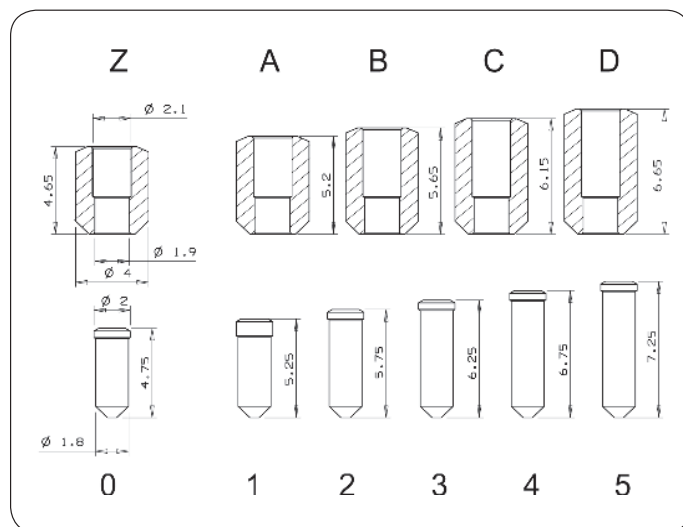
Interactive®+/Classic Internal Plug Pins

Part #	Description	MT5®+	Interactive®+	
			Classic	Integrator®
PCY-PIN-PLG-0	Internal Plug Pin Nickel Silver 0 (Bag of 100)	N/A	\$75.00	N/A
PCY-PIN-PLG-1	Internal Plug Pin Nickel Silver 1 (Bag of 100)	N/A	\$75.00	N/A
PCY-PIN-PLG-2	Internal Plug Pin Nickel Silver 2 (Bag of 100)	N/A	\$75.00	N/A
PCY-PIN-PLG-3	Internal Plug Pin Nickel Silver 3 (Bag of 100)	N/A	\$75.00	N/A
PCY-PIN-PLG-4	Internal Plug Pin Nickel Silver 4 (Bag of 100)	N/A	\$75.00	N/A
PCY-PIN-PLG-5	Internal Plug Pin Nickel Silver 5 (Bag of 100)	N/A	\$75.00	N/A

Interactive®+/Classic External Plug Pins

Part #	Description	MT5®+	Interactive®+	
			Classic	Integrator®
PCY-PIN-PLG-Z	External Plug Pin Nickel Silver Z (Bag of 100)	N/A	\$75.00	N/A
PCY-PIN-PLG-A	External Plug Pin Nickel Silver A (Bag of 100)	N/A	\$75.00	N/A
PCY-PIN-PLG-B	External Plug Pin Nickel Silver B (Bag of 100)	N/A	\$75.00	N/A
PCY-PIN-PLG-C	External Plug Pin Stainless Steel C (Bag of 100)	N/A	\$75.00	N/A
PCY-PIN-PLG-D	External Plug Pin Stainless Steel D (Bag of 100)	N/A	\$75.00	N/A
PCY-PIN-PLG-G	External Plug Pin Nickel Silver G (For use with Interactive®+ G Keyway Cyls only)	N/A	\$75.00	N/A
PCY-PIN-PLG-Z-SS	External Plug Pin Stainless Steel Z (Bag of 100)	N/A	\$150.00	N/A
PCY-PIN-PLG-A-SS	External Plug Pin Stainless Steel A (Bag of 100)	N/A	\$150.00	N/A
PCY-PIN-PLG-B-SS	External Plug Pin Stainless Steel B (Bag of 100)	N/A	\$150.00	N/A

G pins are used only in Interactive®+ cyls with G keyway plugs.
 Older Interactive® (not Interactive® Plus) G keyways will still utilize the A external plug pins (A0).
 For Interactive®+ G Keyways, G is used in place of the A external plug pin in the Interactive®+ chamber (G0)



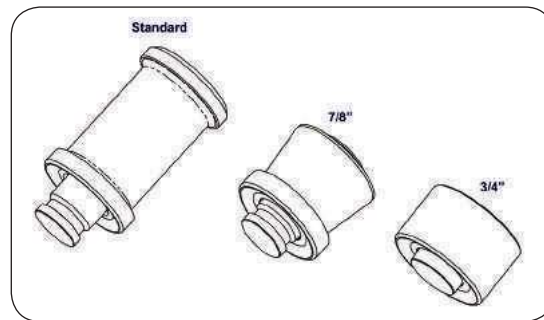
Interactive®+/Classic Cylinder Parts-Keying & Master Keying Components

Interactive®+/Classic Combined Body Pins

Part #	Description	MT5®+	Interactive®+ Classic	Integrator®
PCY-PIN-BOD-STD	Body Pin Nickel Silver for Standard Product (Bag of 100)	N/A	\$125.11	N/A
PCY-PIN-BOD-STD-SS	Body Pin Stainless Steel for Standard Product (Bag of 100)	N/A	\$248.22	N/A
PCY-PIN-BOD-3/4	Body Pin Nickel Silver for 3/4" Ø Product (Bag of 100)	N/A	\$125.11	N/A
PCY-PIN-BOD-7/8	Body Pin Nickel Silver for 7/8" Ø Product (Bag of 100)	N/A	\$125.11	N/A

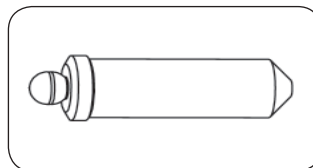
Interactive®+/Classic Body Pins (Drivers) for Master Keying

Part #	Description	MT5®+	Interactive®+ Classic	Integrator®
PCY-PIN-BOD-STD-M1	Standard Body Pin Replaces Int #1 (Bag of 100)	N/A	\$125.11	N/A
PCY-PIN-BOD-7/8-M1	7/8" Body Pin Replaces Int #1 (Bag of 100)	N/A	\$125.11	N/A
PCY-PIN-BOD-3/4-M1	3/4" Body Pin Replaces Int #1 (Bag of 100)	N/A	\$125.11	N/A
PCY-PIN-BOD-STD-S1	Standard Body Pin Replaces Solid #1 (Bag of 100)	N/A	\$112.60	N/A
PCY-PIN-BOD-7/8-S1	7/8" Body Pin Replaces Solid #1 (Bag of 100)	N/A	\$112.60	N/A
PCY-PIN-BOD-STD-S2	Standard Body Pin Replaces two Solid #1s (Bag of 100)	N/A	\$125.11	N/A
PCY-PIN-BOD-7/8-S2	7/8" Body Pin Replaces two Solid #1s (Bag of 100)	N/A	\$125.11	N/A



Interactive®+/Classic 3 in 1 Internal Plug Pins

Part #	Description	MT5®+	Interactive®+ Classic	Integrator®
PCY-PIN-V-1-3	Internal Plug Pin Nickel Silver "3 in 1" 1 to 3 (Bag of 100)	N/A	\$154.44	N/A
PCY-PIN-V-2-4	Internal Plug Pin Nickel Silver "3 in 1" 2 to 4 (Bag of 100)	N/A	\$154.44	N/A
PCY-PIN-V-3-5	Internal Plug Pin Nickel Silver "3 in 1" 3 to 5 (Bag of 100)	N/A	\$154.44	N/A



Interactive®+/Classic Body Springs

Part #	Description	MT5®+	Interactive®+ Classic	Integrator®
PCY-SPR-BOD-STD	Body Spring Stainless Steel for Standard Product (Bag of 100)	N/A	\$29.89	N/A
PCY-SPR-BOD-KIK	Body Spring Stainless Steel for KIK/KID, 7/8" Ø Product (Bag of 100)	N/A	\$29.89	N/A
PCY-SPR-BOD-3/4	Body Spring Stainless Steel for 3/4" Ø Product (Bag of 100)	N/A	\$29.89	N/A

Interactive®+/Classic Cylinder Parts-Keying & Master Keying Components

Interactive®+/Classic Internal Master Disks

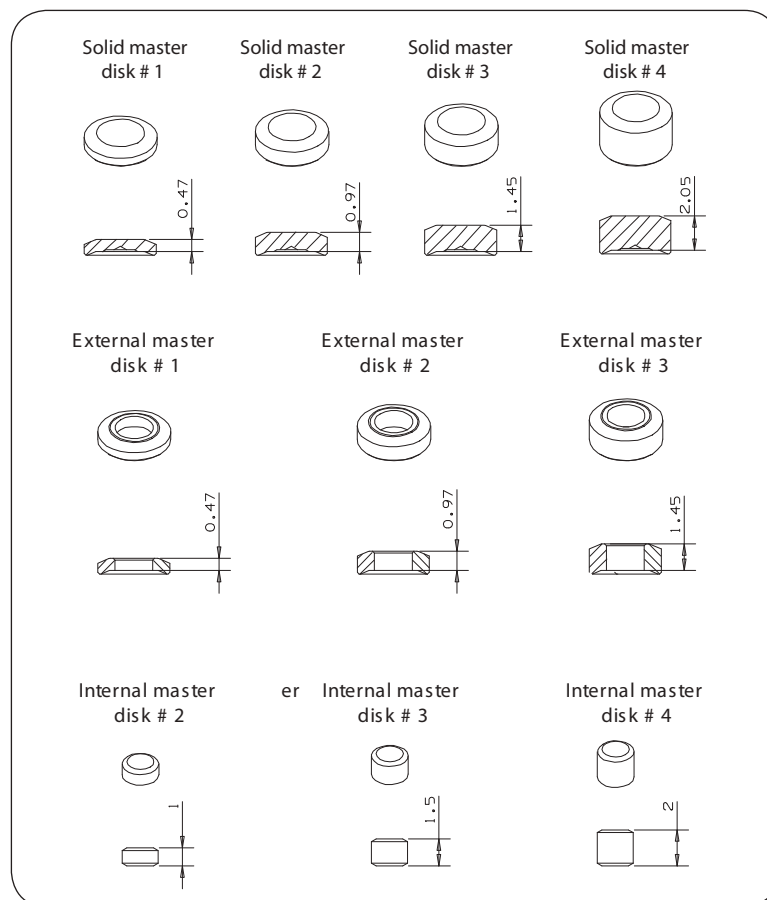
Part #	Description	MT5®+	Interactive®+ Classic	Integrator®
PCY-PIN-M-INT2	Internal Master Disk Nickel Silver 2 (Bag of 100)	N/A	\$77.00	N/A
PCY-PIN-M-INT3	Internal Master Disk Nickel Silver 3 (Bag of 100)	N/A	\$77.00	N/A
PCY-PIN-M-INT4	Internal Master Disk Nickel Silver 4 (Bag of 100)	N/A	\$77.00	N/A

Interactive®+/Classic External Master Disks

Part #	Description	MT5®+	Interactive®+ Classic	Integrator®
PCY-PIN-M-EXT1	External Master Disk Nickel Silver 1 (Bag of 100)	N/A	\$77.00	N/A
PCY-PIN-M-EXT2	External Master Disk Nickel Silver 2 (Bag of 100)	N/A	\$77.00	N/A
PCY-PIN-M-EXT3	External Master Disk Nickel Silver 3 (Bag of 100)	N/A	\$77.00	N/A

Interactive®+/Classic Solid Master Disks

Part #	Description	MT5®+	Interactive®+ Classic	Integrator®
PCY-PIN-M-SOL1	Solid Master Disk Nickel Silver 1 (Bag of 100)	N/A	\$77.00	N/A
PCY-PIN-M-SOL2	Solid Master Disk Nickel Silver 2 (Bag of 100)	N/A	\$77.00	N/A
PCY-PIN-M-SOL3	Solid Master Disk Nickel Silver 3 (Bag of 100)	N/A	\$77.00	N/A
PCY-PIN-M-SOL4	Solid Master Disk Nickel Silver 4 (Bag of 100)	N/A	\$77.00	N/A



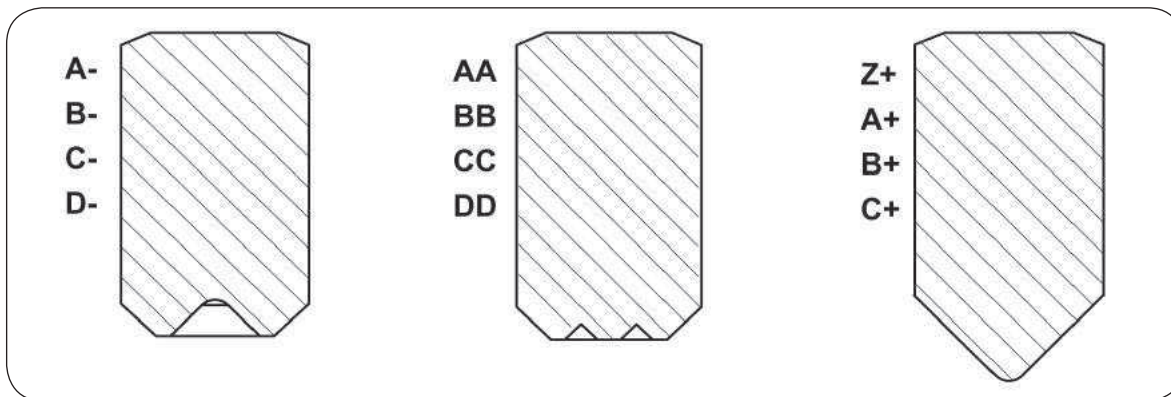
Interactive®+/Classic Cylinder Parts-Keying & Master Keying Components

Interactive®+/Classic Side & Back Pins

Part #	Description	MT5®+	Interactive®+ Classic	Integrator®
PCY-PIN-M-SIDE	Side Pin Nickel Silver (Bag of 100)	N/A	\$77.00	N/A
PCY-PIN-M-SIDE-SS	Side Pin Stainless Steel (Bag of 100)	N/A	\$150.00	N/A
PCY-PIN-M-BACK	Back Pin Nickel Silver (Bag of 100)	N/A	\$90.00	N/A
PCY-PIN-M-BACK-SS	Back Pin Stainless Steel (Bag of 100)	N/A	\$150.00	N/A

Interactive®+/Classic Solid External Plug Pins For Master Keying

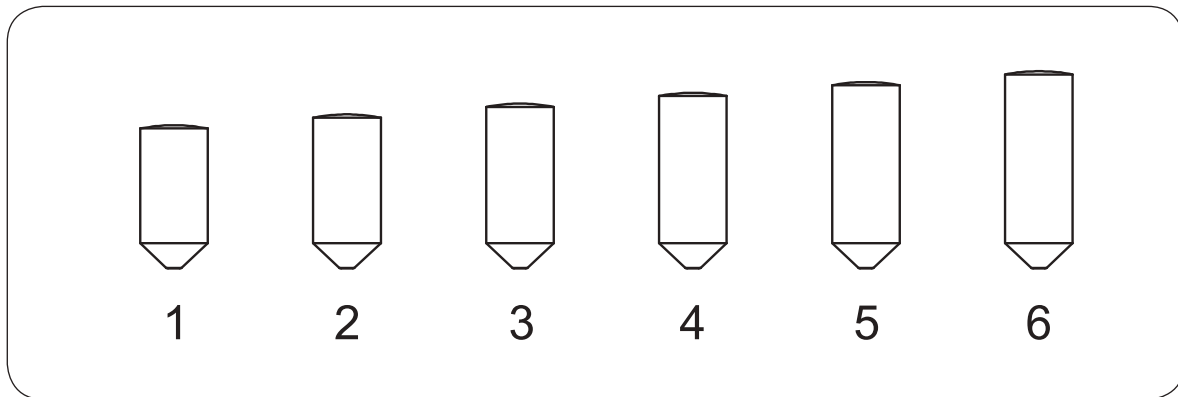
Part #	Description	MT5®+	Interactive®+ Classic	Integrator®																												
PCY-PIN-SOL+Z	Solid Plug Pin Protrusion +Z (Bag of 100)	N/A	\$77.00	N/A																												
PCY-PIN-SOL+A	Solid Plug Pin Protrusion +A (Bag of 100)	N/A	\$77.00	N/A																												
PCY-PIN-SOL+B	Solid Plug Pin Protrusion +B (Bag of 100)	N/A	\$77.00	N/A																												
PCY-PIN-SOL+C	Solid Plug Pin Protrusion +C (Bag of 100)	N/A	\$77.00	N/A																												
PCY-PIN-SOL-A	Solid Plug Pin Depression - A (Bag of 100)	N/A	\$77.00	N/A																												
PCY-PIN-SOL-B	Solid Plug Pin Depression - B (Bag of 100)	N/A </tr <tr> <td>PCY-PIN-SOL-C</td> <td>Solid Plug Pin Depression - C (Bag of 100)</td> <td>N/A</td> <td>\$77.00</td> <td>N/A</td> </tr> <tr> <td>PCY-PIN-SOL-D</td> <td>Solid Plug Pin Depression - D (Bag of 100)</td> <td>N/A</td> <td>\$77.00</td> <td>N/A</td> </tr> <tr> <td>PCY-PIN-SOLAA</td> <td>Solid Plug Pin Uniform AA (Bag of 100)</td> <td>N/A</td> <td>\$77.00</td> <td>N/A</td> </tr> <tr> <td>PCY-PIN-SOLBB</td> <td>Solid Plug Pin Uniform BB (Bag of 100)</td> <td>N/A</td> <td>\$77.00</td> <td>N/A</td> </tr> <tr> <td>PCY-PIN-SOLCC</td> <td>Solid Plug Pin Uniform CC (Bag of 100)</td> <td>N/A</td> <td>\$77.00</td> <td>N/A</td> </tr> <tr> <td>PCY-PIN-SOLDD</td> <td>Solid Plug Pin Uniform DD (Bag of 100)</td> <td>N/A</td> <td>\$77.00</td> <td>N/A</td> </tr>	PCY-PIN-SOL-C	Solid Plug Pin Depression - C (Bag of 100)	N/A	\$77.00	N/A	PCY-PIN-SOL-D	Solid Plug Pin Depression - D (Bag of 100)	N/A	\$77.00	N/A	PCY-PIN-SOLAA	Solid Plug Pin Uniform AA (Bag of 100)	N/A	\$77.00	N/A	PCY-PIN-SOLBB	Solid Plug Pin Uniform BB (Bag of 100)	N/A	\$77.00	N/A	PCY-PIN-SOLCC	Solid Plug Pin Uniform CC (Bag of 100)	N/A	\$77.00	N/A	PCY-PIN-SOLDD	Solid Plug Pin Uniform DD (Bag of 100)	N/A	\$77.00	N/A
PCY-PIN-SOL-C	Solid Plug Pin Depression - C (Bag of 100)	N/A	\$77.00	N/A																												
PCY-PIN-SOL-D	Solid Plug Pin Depression - D (Bag of 100)	N/A	\$77.00	N/A																												
PCY-PIN-SOLAA	Solid Plug Pin Uniform AA (Bag of 100)	N/A	\$77.00	N/A																												
PCY-PIN-SOLBB	Solid Plug Pin Uniform BB (Bag of 100)	N/A	\$77.00	N/A																												
PCY-PIN-SOLCC	Solid Plug Pin Uniform CC (Bag of 100)	N/A	\$77.00	N/A																												
PCY-PIN-SOLDD	Solid Plug Pin Uniform DD (Bag of 100)	N/A	\$77.00	N/A																												



Integrator®/7x7 Cylinder Parts-Keying & Master Keying Components

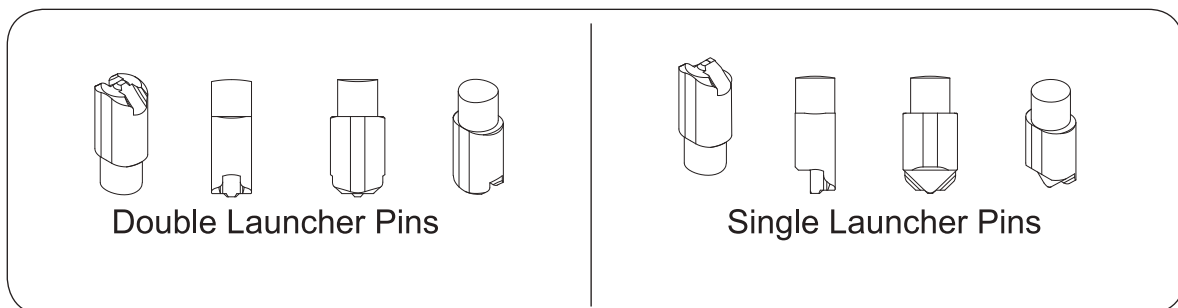
Integrator®/7x7 Plug Pins

Part #	Description	MT5®+	Interactive®+ Classic	Integrator®
PCY-NTGPIN-PLG-1	Plug Pin 1 (Bag of 100)	N/A	N/A	\$58.06
PCY-NTGPIN-PLG-2	Plug Pin 2 (Bag of 100)	N/A	N/A	\$58.06
PCY-NTGPIN-PLG-3	Plug Pin 3 (Bag of 100)	N/A	N/A	\$58.06
PCY-NTGPIN-PLG-4	Plug Pin 4 (Bag of 100)	N/A	N/A	\$58.06
PCY-NTGPIN-PLG-5	Plug Pin 5 (Bag of 100)	N/A	N/A	\$58.06
PCY-NTGPIN-PLG-6	Plug Pin 6 (Bag of 100)	N/A	N/A	\$58.06



Integrator®/7x7 Launcher Pins

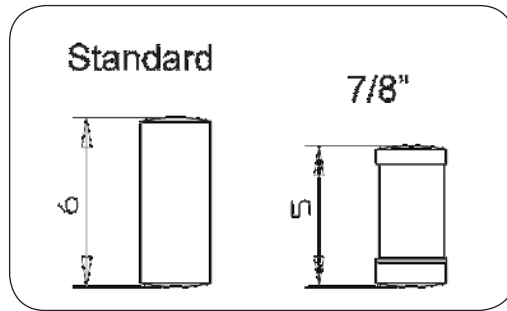
Part #	Description	MT5®+	Interactive®+ Classic	Integrator®
PCY-NTGPIN-LNC-SNG	Single Reactor Plug Pin (Bag of 100)	N/A	N/A	\$58.06
PCY-NTGPIN-LNC-DBL	Double Reactor Plug Pin (Bag of 100)	N/A	N/A	\$58.06



Integrator®/7x7 Cylinder Parts-Keying & Master Keying Components

Integrator®/7x7 Body Pins

Part #	Description	MT5®+	Interactive®+ Classic	Integrator®
PCY-NTGPIN-BOD-STD	Body Pin for Standard Product (Bag of 100)	N/A	N/A	\$90.00
PCY-NTGPIN-BOD-7/8	Body Pin for 7/8" Ø Product (Bag of 100)	N/A	N/A	\$90.00



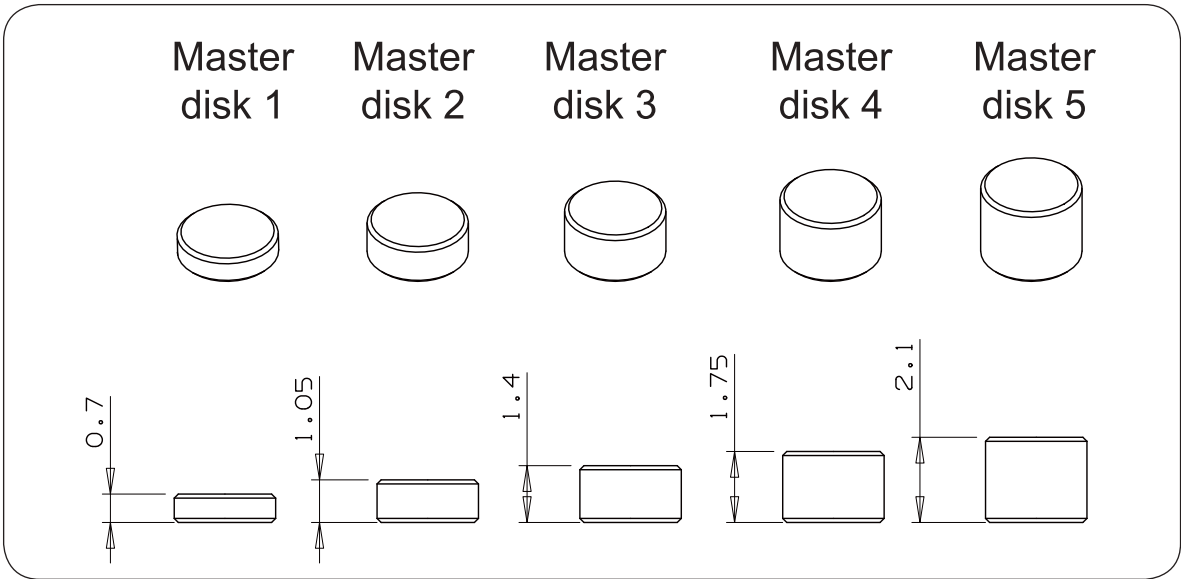
Integrator®/7x7 Body Springs

Part #	Description	MT5®+	Interactive®+ Classic	Integrator®
PCY-NTGSPR-BOD-STD	Body Spring Stainless Steel for Standard Product (Bag of 100)	N/A	N/A	\$30.00

Integrator®/7x7 Cylinder Parts-Keying & Master Keying Components

Integrator®/7x7 Master Pins

Part #	Description	MT5®+	Interactive®+ Classic	Integrator®
PCY-NTGPIN-M-1	Master Disk 1 (Bag of 100)	N/A	N/A	\$58.06
PCY-NTGPIN-M-2	Master Disk 2 (Bag of 100)	N/A	N/A	\$58.06
PCY-NTGPIN-M-3	Master Disk 3 (Bag of 100)	N/A	N/A	\$58.06
PCY-NTGPIN-M-4	Master Disk 4 (Bag of 100)	N/A	N/A	\$58.06
PCY-NTGPIN-M-5	Master Disk 5 (Bag of 100)	N/A	N/A	\$58.06



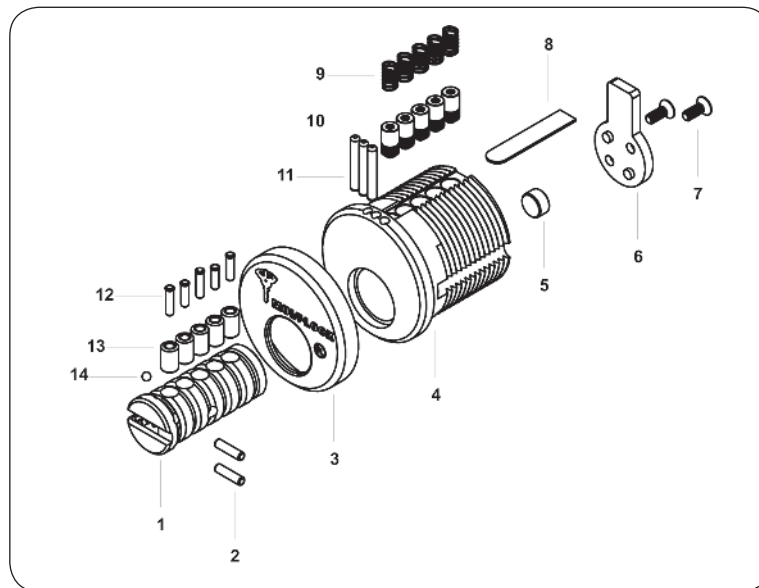
Cylinder Parts-Mortise

Parts for Mortise Cylinders

Part #	Description	MT5®+	Interactive®+ Classic	Integrator®
1 KWPG-MOR_-XX	Cylinder Plug for Mortise Cylinder (Specify Keyway, Size, & Finish)	Call for Price	Call for Price	Call for Price
2 N/A	Anti-Drill Pin (Not Sold Separately)	N/A	N/A	N/A
3 N/A	Cylinder Face Cover for Mortise & Rim Cylinders (UL)	N/A	N/A	N/A
4 XXX-MOR_-XX	Cylinder Body for Mortise Cylinder (Specify Size, Finish)	Call for Price	Call for Price	Call for Price
5 PCY-MOR-SPACE1	Plug Spacer for Mortise Cylinder (3.2mm)	\$3.33	\$3.33	\$3.33
6 PCY-CT-MORCAM_ _	Cam for Mortise Cylinder (As Needed, See Mortise Cylinder Cams Section)	\$3.33	\$3.33	\$3.33
7 PCY-SCR-PLUG	Plug Screw Phillips M2.3 x 6	\$1.11	\$1.11	\$1.11
8 PCY-CVR-MOR-5	Spring Cover for Mortise//Rim Cylinder (5 Chamber)	\$1.89	\$1.89	\$1.89
9 PCY-SPR-BOD-STD	Body Spring Stainless Steel for Standard Product (Bag of 100)	\$35.44	\$29.89	\$29.89
10 PCY-PIN-BOD-STD	Body Pin Nickel Silver for Standard Product (Bag of 100)	\$144.00	\$125.11	\$90.00
11 N/A	Anti-Drill Pin (Not Sold Separately)	N/A	N/A	N/A
12 PCY-PIN-PLG- _	Plug Pins-Internal (As Needed, see Pin Section)	\$85.00	\$75.00	\$58.06
13 PCY-PIN-PLG- _	Plug Pins-Internal (As Needed, see Pin Section)	\$85.00	\$75.00	\$58.06
14 N/A	Ball Bearing Anti-Drill (Not Sold Separately)	N/A	N/A	N/A

Parts for Mortise Cylinders (Not Pictured)

Part #	Description	MT5®+	Interactive®+ Classic	Integrator®
PCY-MOR-SPACE2	Plug Spacer for Mortise Cylinder Long	\$3.11	\$3.11	\$3.11
PCY-CVR-MOR-4	Body Spring Cover for Mortise/Rim Cylinders (4 Chamber)	\$1.89	\$1.89	\$1.89



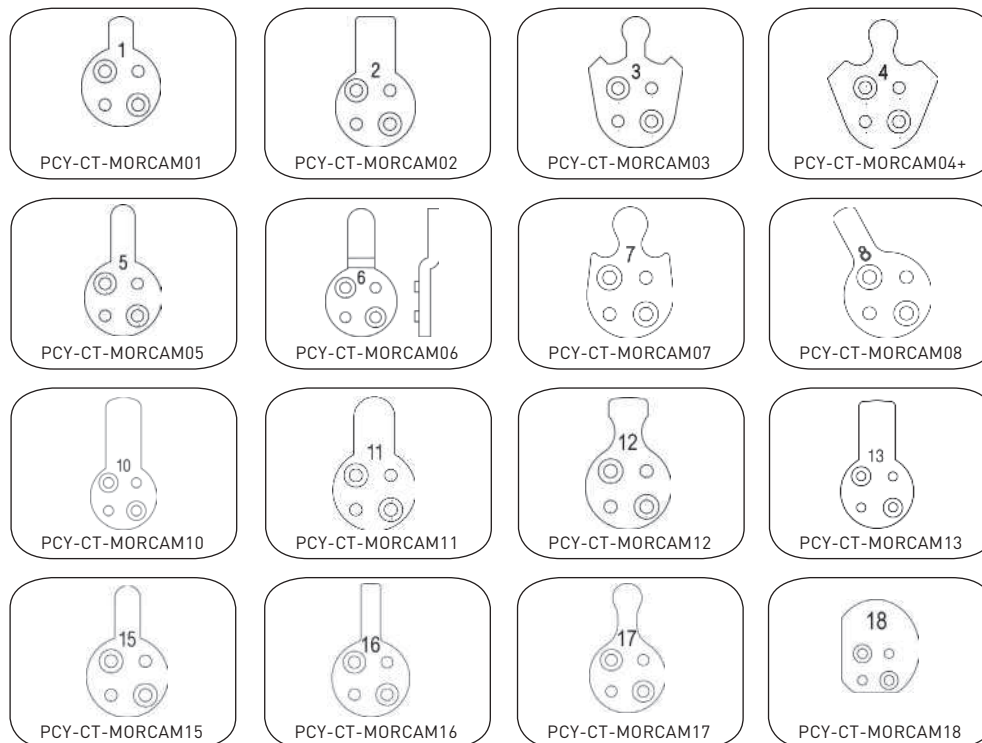
Cylinder Parts-Mortise

Mortise Cylinder Cams

Part #	Description	MT5®+
PCY-CT-MORCAM01	Cam for Mortise Cylinder Adams Rite® Type	\$3.00
PCY-CT-MORCAM02	Cam for Mortise Cylinder Yale® Standard Type	\$3.00
PCY-CT-MORCAM03	Cam for Mortise Cylinder Russwin® Clover Type	\$3.00
PCY-CT-MORCAM04+	Cam for Mortise Cylinder Falcon® Type	\$3.00
PCY-CT-MORCAM05	Cam for Mortise Cylinder Lockwood® Type	\$3.00
PCY-CT-MORCAM06	Cam for Mortise Cylinder Segal® Type	\$3.00
PCY-CT-MORCAM07	Cam for Mortise Cylinder Schlage® "L" Type	\$3.00
PCY-CT-MORCAM08	Cam for Mortise Cylinder Sargent® Off-Set Type	\$3.00
PCY-CT-MORCAM10	Cam for Mortise Cylinder Corbin® Jumbo Type	\$3.00
PCY-CT-MORCAM11	Cam for Mortise Cylinder Baldwin® Type	\$3.00
PCY-CT-MORCAM12	Cam for Mortise Cylinder Yale® Type	\$3.00
PCY-CT-MORCAM13	Cam for Mortise Cylinder Marks® Type	\$3.00
PCY-CT-MORCAM15	Cam for Mortise Cylinder Vingcard® Type	\$3.00
PCY-CT-MORCAM16	Cam for Mortise Cylinder Yale® A-04Type	\$3.00
PCY-CT-MORCAM17	Cam for Mortise Cylinder Yale® 2160 Type	\$3.00
PCY-CT-MORCAM18	Cam for Mortise Cylinder Alarm Lock® Type	\$3.00
PCY-CT-MORCAM-DBL	Double Layer Cam For Mortisee Cylinders	\$15.00

Security Rings for Mortise and Rim Cylinders

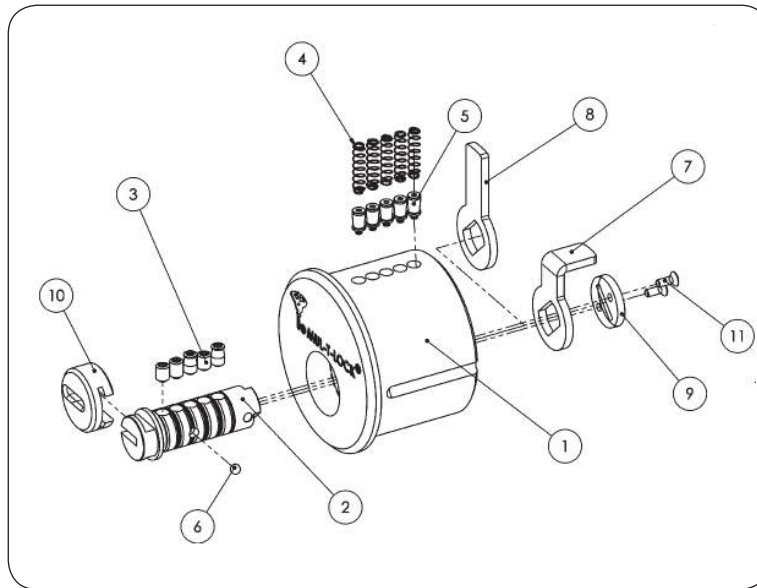
Part #	Description	List
PCY-SR-MOR01-XX	Security Ring for Mortise and Rim Cylinder (.22" Length)	\$15.60
PCY-SR-MOR02-XX	Security Ring for Mortise and Rim Cylinder (.35" Length)	\$19.10
PCY-SR-MOR03-XX	Security Ring for Mortise and Rim Cylinder (.48" Length)	\$21.60



Cylinder Parts-Mogul

Parts for Mogul Cylinders

Part #	Description	MT5®+	Interactive®+	
			Classic	Integrator®
1	PCY-BOD-MOGFA2-XX Cylinder Body for Mogul Cylinder (Folger Adam)	\$89.44	\$89.44	N/A
2	KWPG-MOGFA2-XX Cylinder Plug for Mogul Cylinder (Folger Adam)	\$68.33	\$59.44	N/A
3	PCY-PIN-PLG-_ Plug Pins Internal and External (As Needed)	\$85.00	\$75.00	N/A
4	PCY-SPR-BOD-STD Body Spring Stainless Steel for Standard Product (Bag of 100)	\$35.44	\$29.89	N/A
5	PCY-PIN-BOD-STD Body Pin Nickel Silver for Standard Product (Bag of 100)	\$144.00	\$125.11	N/A
6	N/A Anti-Drill Ball Bearing	N/A	N/A	N/A
7	PCY-CT-MOGCAM90 Cam for Mogul Cylinder (Bent 90 Degree)	\$9.33	\$9.33	N/A
8	PCY-CT-MOGCAMFLAT Cam for Mogul Cylinder (Straight)	\$9.33	\$9.33	N/A
9	PCY-CT-DISMOG Cam Locator Disc for Mogul Cylinder	\$9.33	\$9.33	N/A
10	PCY-CVR-MOGPROT Protective Cover for Mogul Cylinder Plug	\$24.00	\$24.00	N/A
11	PCY-SCR-PLUG Plug Screws Phillips M2.3X6	\$1.11	\$1.11	N/A



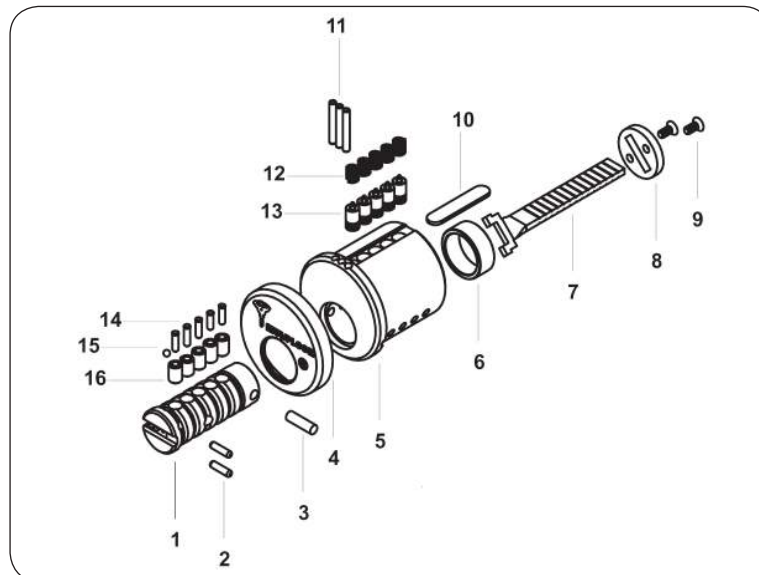
Cylinder Parts-Rim

Parts for Rim Cylinders

Part #	Description	MT5®+	Interactive®+ Classic	Integrator®
1	KWPG-RIM1-XX Cylinder Plug for Rim Cylinder (Specify Keyway, Size, Finish)	\$68.33	\$59.44	\$58.89
2	N/A Anti-Drill Pin (Not Sold Separately)	N/A	N/A	N/A
3	N/A Anti-Drill Pin (Not Sold Separately)	N/A	N/A	N/A
4	N/A Cylinder Face Cover for Mortise & Rim Cylinders (UL)	N/A	N/A	N/A
5	XXX-RIM1-XX Cylinder Body for Rim Cylinder (Specify Size, Finish)	\$61.56	\$61.56	\$61.56
6	PCY-RIM-PRING Plug Ring for Improved Rim Cylinder	\$2.67	\$2.67	\$2.67
7	PCY-CT-RIM_ _ Tailpiece for Rim Cylinder (As Needed, See Rim Cylinder Parts Section)	\$3.33	\$3.33	\$3.33
8	PCY-CT-DISCRIM Actuating Disk for Rim Cylinder	\$3.33	\$3.33	\$3.33
9	PCY-SCR-PLUG Plug Screw Phillips M2.3 x 6	\$1.11	\$1.11	\$1.11
10	PCY-CVR-MOR-5 Spring Cover for Mortise//Rim Cylinder (5 Chamber)	\$1.89	\$1.89	\$1.89
11	N/A Anti-Drill Pin (Not Sold Separately)	N/A	N/A	N/A
12	PCY-SPR-BOD-STD Body Spring Stainless Steel for Standard Product (Bag of 100)	\$35.44	\$29.89	\$30.00
13	PCY-PIN-BOD-STD Body Pin Nickel Silver for Standard Product (Bag of 100)	\$144.00	\$125.11	\$90.00
14	PCY-PIN-PLG- _ Plug Pins-Internal (As Needed, See Pin Section)	\$85.00	\$75.00	\$58.06
15	N/A Ball Bearing Anti-Drill (Not Sold Separately)	N/A	N/A	N/A
16	PCY-PIN-PLG- _ Plug Pins-External (As Needed, See Pin Section)	\$85.00	\$75.00	N/A

Parts for Rim Cylinders (Not Pictured)

Part #	Description	MT5®+	Interactive®+ Classic	Integrator®
PCY-SCR-RIM-SET	Set Screw for Rim Cylinders M5 x 45	\$3.11	\$3.11	\$3.11
PCY-RIM-BP	Backplate for Rim Cylinders	\$3.11	\$3.11	\$3.11
PCY-BB-RIM	Ball Bearing Anti-Drill 3mm Dia.	\$0.89	\$0.89	\$0.89
PCY-RIM-HRWR	Complete Hardware Package for Rim Cylinders	\$9.33	\$9.33	\$9.33



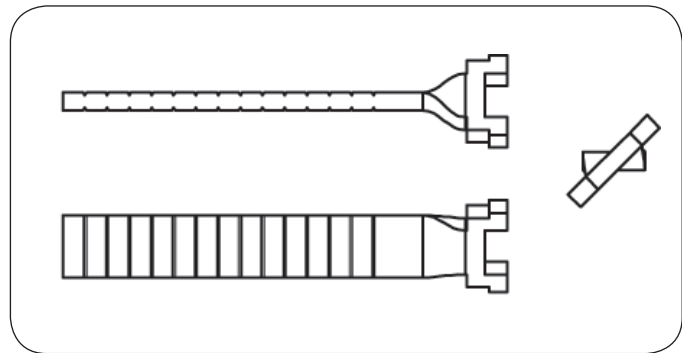
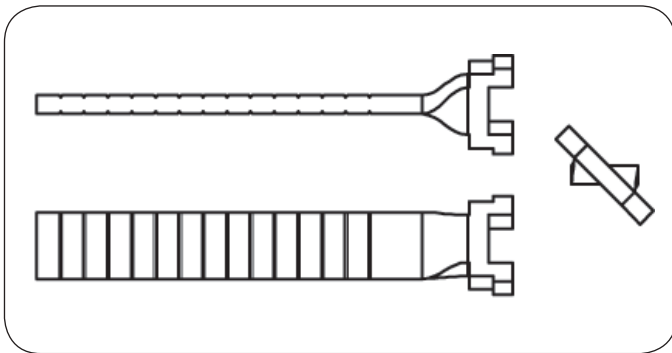
Cylinder Parts-Rim

Rim Cylinder Tailpieces

Part #	Description	MT5®+	Interactive®+ Classic	Integrator®
PCY-CT-RIMVT	Vertical Tail for Rim Cylinders (1.875" Length)	\$3.00	\$3.00	\$3.00
PCY-CT-RIMVTX	Vertical Tail for Rim Cylinders (2.460" Length)	\$5.40	\$5.40	\$5.40
PCY-CT-RIMHT	Horizontal Tail for Rim Cylinders (1.875" Length)	\$3.00	\$3.00	\$3.00
PCY-CT-RIMHTX	Horizontal Tail for Rim Cylinders (2.460" Length)	\$5.40	\$5.40	\$5.40
PCY-CT-RIMPTP	Police Tail (Fox Type Lock) for Rim Cylinders	\$10.00	\$10.00	\$10.00

Security Rings for Mortise and Rim Cylinders

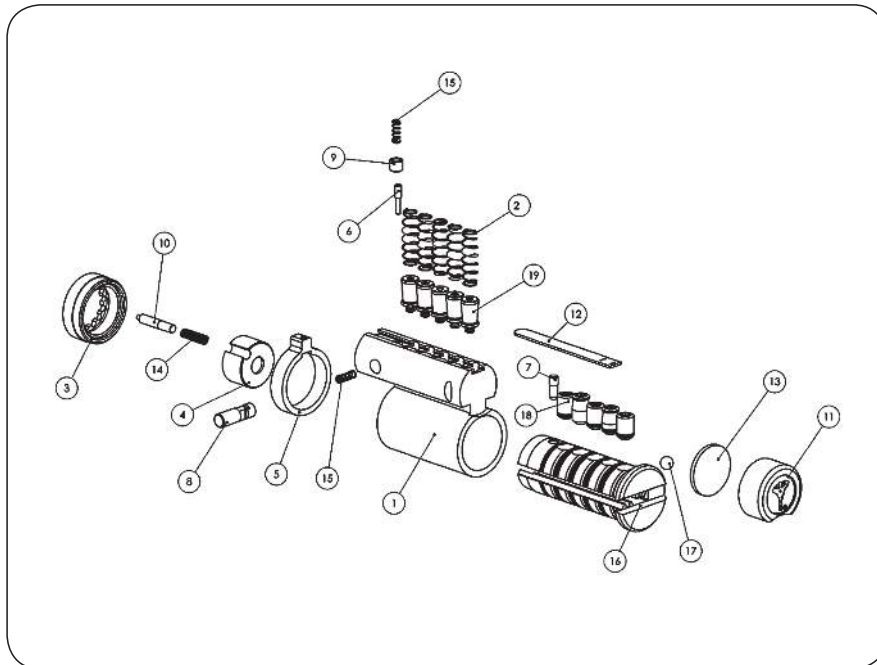
Part #	Description	MT5®+	Interactive®+ Classic	Integrator®
PCY-SR-MOR01-XX	Security Ring for Mortise and Rim Cylinder (.22" Length)	\$19.50	\$19.50	\$19.50
PCY-SR-MOR02-XX	Security Ring for Mortise and Rim Cylinder (.35" Length)	\$23.88	\$23.88	\$23.88
PCY-SR-MOR03-XX	Security Ring for Mortise and Rim Cylinder (.48" Length)	\$27.00	\$27.00	\$27.00
PCY-SR-RIMFR-XX	Recessed Flat Ring for Rim Cylinder	\$11.75	\$11.75	\$11.75



Cylinder Parts-ICC

Parts Schlage® Type Removable Core Retrofit

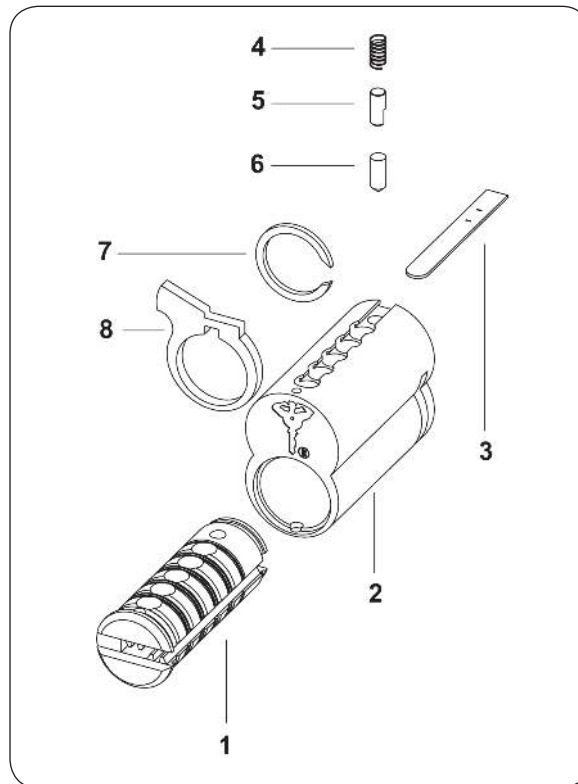
Part #	Description	MT5®+	Interactive®+ Classic	Integrator®
1 XXX-ICCSH	Cylinder Body for Schlage® Type ICC	\$68.56	\$68.56	\$68.56
2 PCY-SPR-BOD-STD	Body Spring Stainless Steel for Standard Product (Bag of 100)	\$35.44	\$29.89	\$30.00
3 PCY-KIK-NUT	Plug Retainer Nut for Standard KIK Cylinders	\$2.67	\$2.67	\$2.67
4 PCY-ICCSH-TIP	Tip Stop Drive Cam for Schlage® Type ICC	\$1.89	\$1.89	\$1.89
5 PCY-ICCSH-ARING	Activator Ring for Schlage® Type ICC	\$2.67	\$2.67	\$2.67
6 PCY-ICCSH-APIN	Activator Pin for Schlage® Type ICC	\$1.89	\$1.89	\$1.89
7 PCY-ICCSH-EPIN	Engaging Pin for Schlage® Type ICC	\$1.89	\$1.89	\$1.89
8 N/A	Locking Pin for Schlage® Type ICC (Not Sold Separately)	N/A	N/A	N/A
9 N/A	Engaging Disc for Schlage® Type ICC (Not Sold Separately)	N/A	N/A	N/A
10 PCY-KIK-RPIN	Retainer Pin for KIK Cylinders	\$2.78	\$2.78	\$2.78
11 PCY-ICCSH-CVR-XX	Face Cover for Schlage® Type ICC (Not Sold Separately)	N/A	N/A	N/A
12 PCY-CVR-ICCSH	Body Spring Cover for Schlage® Type ICC	\$1.89	\$1.89	\$1.89
13 PCY-ICCSH-DPLATE	Anti-Drill Plate Schlage® Type ICC (Not Sold Separately)	N/A	N/A	N/A
14 PCY-KIK-RSPR	Retainer Pin Spring for KIK Cylinders	\$0.56	\$0.56	\$0.56
15 N/A	Spring for Locking Pin for Schlage® Type ICC (Not Sold Separately)	N/A	N/A	N/A
16 KWPG-ICCSH-XX	Cylinder Plug for Schlage® Type ICC (Specify Keyway and Finish)	\$68.33	\$59.44	\$58.89
17 N/A	Ball Bearing Anti-Drill (Not Sold Separately)	N/A	N/A	N/A
18 PCY-PIN-PLG-__	Plug Pins-External / Internal (As Needed, See Pin Section)	\$85.00	\$75.00	N/A
19 PCY-PIN-BOD-STD	Body Pin Nickel Silver for Standard Product (Bag of 100)	\$144.00	\$125.11	\$90.00
PCY-ICCKIT___-TRIL	Tail and Adaptor for Trilogy (Not Pictured)	\$23.78	\$19.78	N/A



Cylinder Parts-ICC

Parts Yale® Type Removable Core Retrofit

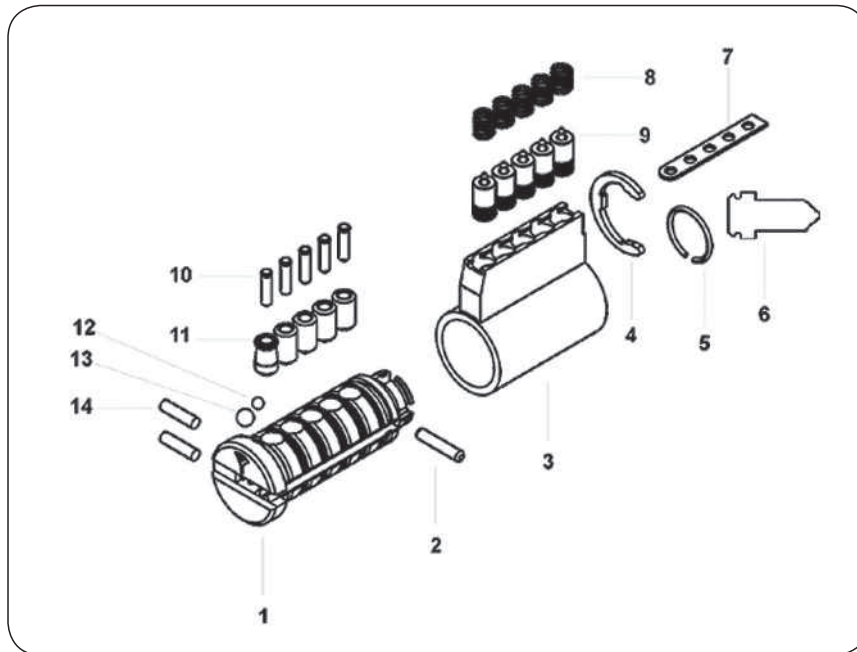
Part #	Description	MT5®+	Interactive®+	
			Classic	Integrator®
1	KWPG-ICC YA6-XX Cylinder Plug for Yale® Type ICC (Specify Finish and Keyway)	\$68.33	\$59.44	\$58.89
2	XXX-ICC YA6-XX Cylinder Body for Yale® Type ICC (Specify Finish)	\$70.78	\$70.78	\$70.78
3	PCY-CVR-ICC YA Body Spring Cover for Yale® Type ICC	\$1.89	\$1.89	\$1.89
4	PCY-SPR-BOD-7x7 Body Spring Stainless Steel for 7x7 Products (Bag of 100)	\$35.44	\$29.89	\$30.00
5	PCY-ICCY-APIN Activator Pin for Yale® Type ICC	\$1.89	\$1.89	\$1.89
6	PCY-ICCY-EPIN Engaging Pin (Plug) for Yale® Type ICC	\$1.89	\$1.89	\$1.89
7	PCY-SW-RING Plug Retainer Ring for Switch Lock 3/4" Dia.	\$2.67	\$2.67	\$2.67
8	PCY-ICCY-LUG Locking Lug for Yale® Type ICC	\$2.67	\$2.67	\$2.67



Cylinder-Parts-KIK

Parts for KIKAL Cylinders

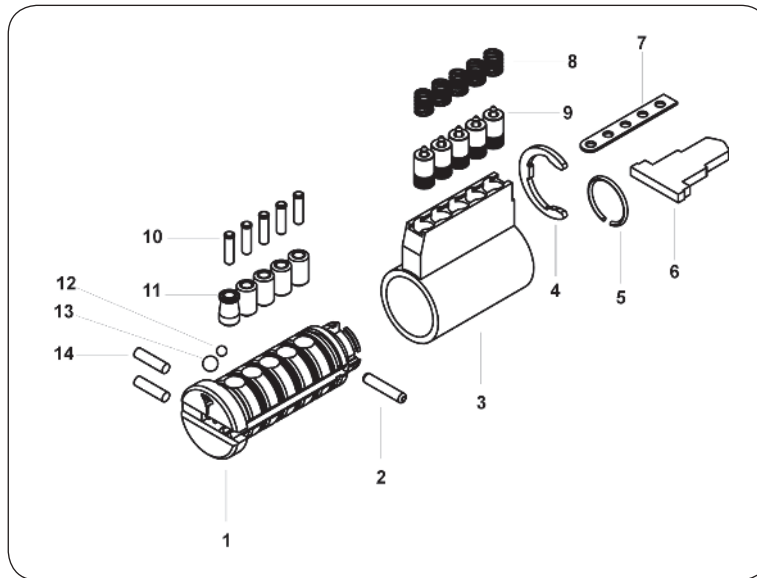
Part #	Description	MT5®+	Interactive®+ Classic	Integrator®
1	KWPG-KIKARM-XX Cylinder Plug for Arrow® "M" Knob Type KIK Cylinder (Specify Keyway and Finish)	\$68.33	\$59.44	N/A
2	N/A Anti-Drill Pin (Not Sold Separately)	N/A	N/A	N/A
3	XXX-KIKSH Cylinder Body for Schlage® Type KIK Cylinder	\$61.56	\$61.56	N/A
4	PCY-ECLIP-1 E-Clip for Plug for Cylinders 15.5	\$2.67	\$2.67	N/A
5	PCY-CT-KIK-RING Tailpiece Retainer Ring Spring for KIK Cylinders	\$1.89	\$1.89	N/A
6	PCY-CT-KIKMA Tailpiece for Marks / Alarm Lock® Trilogy® KIK Cylinder	\$6.00	\$6.00	N/A
7	PCY-CVR-KIK-5 Body Spring Cover for KIK Cylinders (5 Chamber)	\$1.89	\$1.89	N/A
8	PCY-SPR-BOD-KIK Body Spring Stainless Steel for KIK/KID, 7/8" Ø Product (Bag of 100)	\$35.44	\$29.89	N/A
9	PCY-PIN-BOD-STD Body Pin Nickel Silver for Standard Product (Bag of 100)	\$144.00	\$125.11	N/A
10	PCY-PIN-PLG-__ Plug Pins-Internal (As Needed, See Pin Section)	\$85.00	\$75.00	N/A
11	PCY-PIN-PLG-__ Plug Pins-External (As Needed, See Pin Section)	\$85.00	\$75.00	N/A
12	N/A Ball Bearing Anti-Drill (Not Sold Separately)	N/A	N/A	N/A
13	N/A Ball Bearing Anti-Drill (Not Sold Separately)	N/A	N/A	N/A
14	N/A Anti-Drill Pin (Not Sold Separately)	N/A	N/A	N/A



Cylinder-Parts-KIK

Parts for KIKARM Cylinders

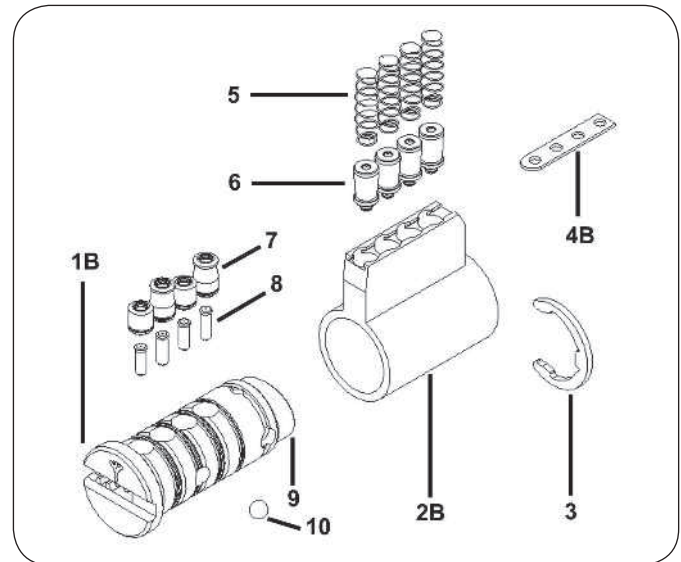
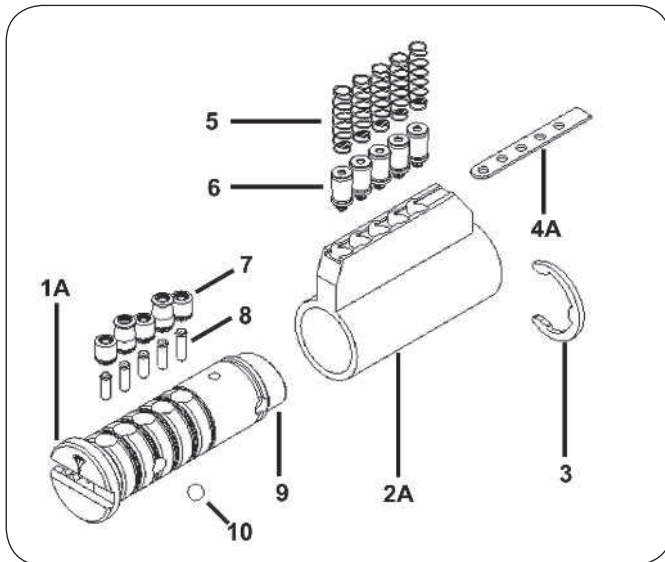
Part #	Description	MT5®+	Interactive®+ Classic	Integrator®
1	KWPG-KIKARM-XX Cylinder Plug for Arrow® "M" Knob Type KIK (Specify Keyway and Finish)	\$68.33	\$59.44	N/A
2	N/A Anti-Drill Pin (Not Sold Separately)	N/A	N/A	N/A
3	XXX-KIKSH Cylinder Body for Schlage® Type KIK Cylinder	\$61.56	\$61.56	N/A
4	PCY-ECLIP-1 E-Clip for Plug for Cylinders 15.5	\$2.67	\$2.67	N/A
5	PCY-CT-KIK-RING Tailpiece Retainer Ring Spring for KIK Cylinders	\$1.89	\$1.89	N/A
6	PCY-CT-KIKARM-SM Tailpiece for Arrow® "M" Knob/Sargent® "7 & 10" Lever KIK (Long)	\$6.00	\$6.00	N/A
7	PCY-CVR-KIK-5 Body Spring Cover for KIK Cylinders (5 Chamber)	\$1.89	\$1.89	N/A
8	PCY-SPR-BOD-KIK Body Spring Stainless Steel for KIK/KID, 7/8" Ø Product (Bag of 100)	\$35.44	\$29.89	N/A
9	PCY-PIN-BOD-STD Body Pin Nickel Silver for Standard Product (Bag of 100)	\$144.00	\$125.11	N/A
10	PCY-PIN-PLG-__ Plug Pins-Internal (As Needed, See Pin Section)	\$85.00	\$75.00	N/A
11	PCY-PIN-PLG-__ Plug Pins-External (As Needed, See Pin Section)	\$85.00	\$75.00	N/A
12	N/A Ball Bearing Anti-Drill (Not Sold Separately)	N/A	N/A	N/A
13	N/A Ball Bearing Anti-Drill (Not Sold Separately)	N/A	N/A	N/A
14	N/A Anti-Drill Pin (Not Sold Separately)	N/A	N/A	N/A



Cylinder-Parts-KIK

Parts for KIKBA and KIKBA4 Cylinders

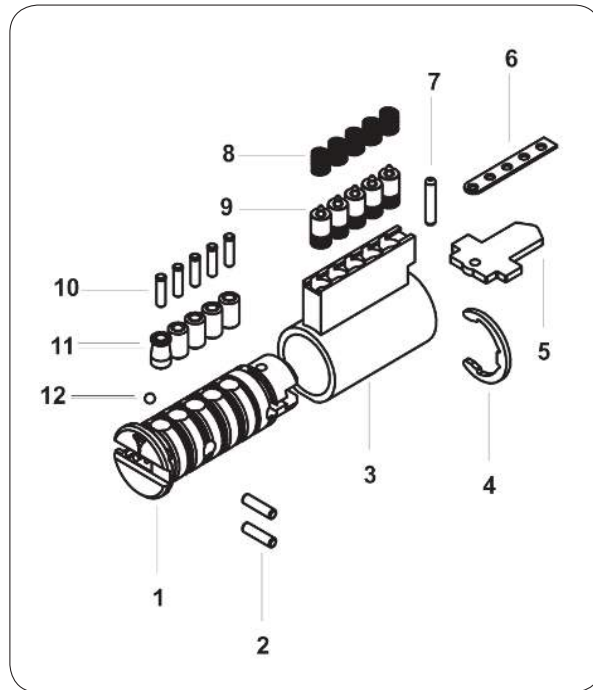
Part #	Description	MT5®+	Interactive®+ Classic	Integrator®	
1A	KWPG-KIKBA-XX	Cyl. Plug for Baldwin® KIK Cylinder Long (Specify Keyway and Finish)	\$68.33	\$59.44	N/A
1B	KWPG-KIKBA4-XX	Cyl. Plug for Baldwin® KIK Cylinder Short (Specify Keyway and Finish)	\$68.33	\$59.44	N/A
2A	XXX-KIKBA	Cylinder Body for Baldwin® Type KIK Cylinder Long	\$61.56	\$61.56	N/A
2B	XXX-KIKBA4	Cylinder Body for Baldwin® Type KIK Cylinder Short	\$61.56	\$61.56	N/A
3	PCY-ECLIP-1	E-Clip for Plug for Cylinders 15.5	\$2.67	\$2.67	N/A
4A	PCY-CVR-KIK-5	Body Spring Cover for KIK Cylinders (5 Chamber)	\$1.89	\$1.89	N/A
4B	PCY-CVR-KIK-4	Body Spring Cover for KIK Cylinders (4 Chamber)	\$1.89	\$1.89	N/A
5	PCY-SPR-BOD-KIK	Body Spring Stainless Steel for KIK/KID, 7/8" Ø Product (Bag of 100)	\$35.44	\$29.89	N/A
6	PCY-PIN-BOD-STD	Body Pin Nickel Silver for Standard Product (Bag of 100)	\$144.00	\$125.11	N/A
7	PCY-PIN-PLG-_	Plug Pins-External (As Needed, See Pin Section)	\$85.00	\$75.00	N/A
8	PCY-PIN-PLG-_	Plug Pins-Internal (As Needed, See Pin Section)	\$85.00	\$75.00	N/A
9	PCY-CT-KIKBA	Back Adaptor for Baldwin Type KIK Cylinders (Long and Short)	\$6.00	\$6.00	N/A
10	N/A	Ball Bearing Anti-Drill (Not Sold Separately)	N/A	N/A	N/A



Cylinder-Parts-KIK

Parts for KIKCR Cylinders

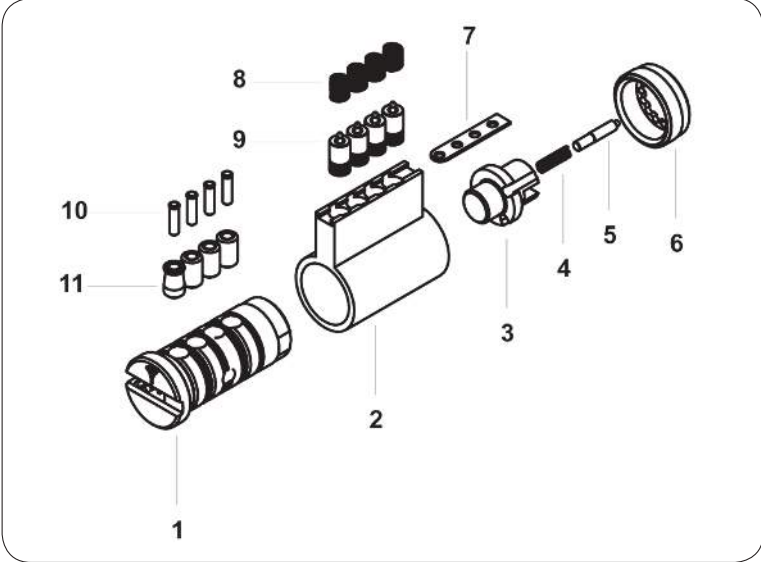
Part #	Description	MT5®+	Interactive®+ Classic	Integrator®
1	KWPG-KIKCR-XX Cylinder Plug for Corbin® Type KIK Cylinder (Specify Keyway and Finish)	\$68.33	\$59.44	N/A
2	N/A Anti-Drill Pin (Not Sold Separately)	N/A	N/A	N/A
3	XXX-KIKCR Cylinder Body for Corbin® Type KIK Cylinder	\$61.56	\$61.56	N/A
4	PCY-ECLIP-1 E-Clip for Plug for Cylinders 15.5	\$2.67	\$2.67	N/A
5	PCY-CT-KIKCR Tailpiece for Corbin® Type KIK Cylinder	\$6.00	\$6.00	N/A
6	PCY-CVR-KIK-5 Body Spring Cover for KIK Cylinders (5 Chamber)	\$1.89	\$1.89	N/A
7	PCY-KIK-TAILPIN Tailpiece Retainer Pin for KIK Cylinders	\$2.78	\$2.78	N/A
8	PCY-SPR-BOD-KIK Body Spring Stainless Steel for KIK/KID, 7/8" Ø Product (Bag of 100)	\$35.44	\$29.89	N/A
9	PCY-PIN-BOD-STD Body Pin Nickel Silver for Standard Product (Bag of 100)	\$144.00	\$125.11	N/A
10	PCY-PIN-PLG-__ Plug Pins-Internal (As Needed, See Pin Section)	\$85.00	\$75.00	N/A
11	PCY-PIN-PLG-__ Plug Pins-External (As Needed, See Pin Section)	\$85.00	\$75.00	N/A
12	N/A Ball Bearing Anti-Drill (Not Sold Separately)	N/A	N/A	N/A



Cylinder-Parts-KIK

Parts for KIKEM Cylinders

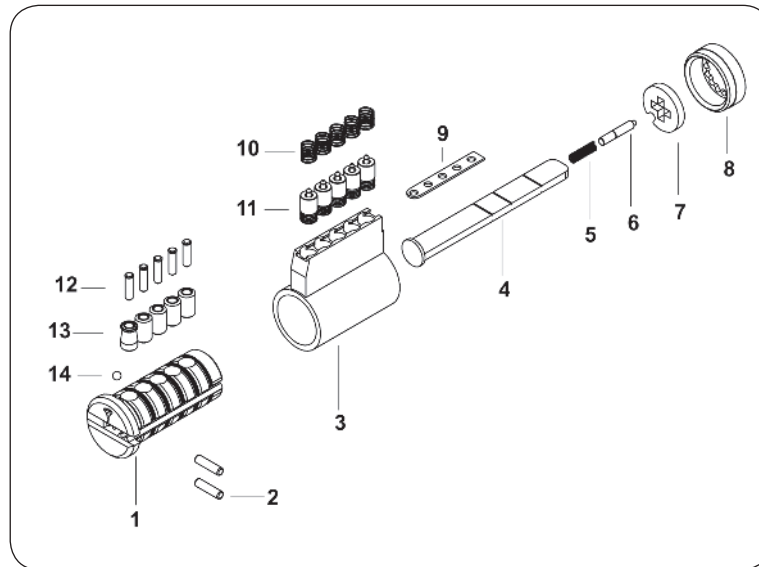
Part #	Description	MT5®+	Interactive®+ Classic	Integrator®
1 KWPG-KIKEM-XX	Cylinder Plug for Emtek® Type KIK Cylinder (Specify Keyway and Finish)	\$68.33	\$59.44	N/A
2 XXX-KIKEM	Cylinder Body for Emtek® Type KIK Cylinder	\$61.56	\$61.56	N/A
3 PCY-CT-KIKEM	Tailpiece for Emtek® Type KIK Cylinder	\$6.00	\$6.00	N/A
4 PCY-KIK-RSPR	Retainer Pin Spring for KIK Cylinders	\$0.56	\$0.56	N/A
5 PCY-KIK-RPIN	Retainer Pin for KIK Cylinders	\$2.78	\$2.78	N/A
6 PCY-KIKE-NUT	Plug Retainer Nut for Emtek® KIK Cylinders	\$2.67	\$2.67	N/A
7 PCY-CVR-KIK-4	Body Spring Cover for KIK Cylinders (4 Chamber)	\$1.89	\$1.89	N/A
8 PCY-SPR-BOD-KIK	Body Spring Stainless Steel for KIK/KID, 7/8" Ø Product (Bag of 100)	\$35.44	\$29.89	N/A
9 PCY-PIN-BOD-STD	Body Pin Nickel Silver for Standard Product (Bag of 100)	\$144.00	\$125.11	N/A
10 PCY-PIN-PLG-__	Plug Pins-Internal (As Needed, See Pin Section)	\$85.00	\$75.00	N/A
11 PCY-PIN-PLG-__	Plug Pins-External (As Needed, See Pin Section)	\$85.00	\$75.00	N/A



Cylinder-Parts-KIK

Parts for KIKFA Cylinders

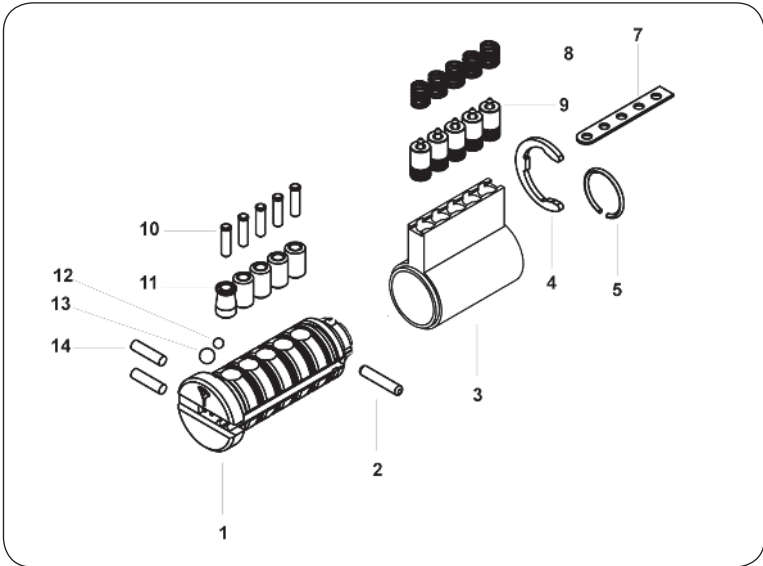
Part #	Description	MT5@+	Interactive@+ Classic	Integrator®
1	KWPG-KIKFA-XX Cylinder Plug for Falcon® Type KIK Cylinder (Specify Keyway and Finish)	\$68.33	\$59.44	N/A
2	N/A Anti-Drill Pin (Not Sold Separately)	N/A	N/A	N/A
3	XXX-KIKSH Cylinder Body for Schlage® Type KIK Cylinder	\$61.56	\$61.56	N/A
4	PCY-CT-KIKFA-TAIL Tailpiece for Falcon® Type KIK Cylinder (Tail Only)	\$3.33	\$3.33	N/A
5	PCY-KIK-RSPR Retainer Pin Spring for KIK Cylinders	\$0.56	\$0.56	N/A
6	PCY-KIK-RPIN Retainer Pin for KIK Cylinders	\$2.78	\$2.78	N/A
7	PCY-CT-DISCKIK Tailpiece Locator Disc for KIK Cylinders (Fixed Motion)	\$3.33	\$3.33	N/A
8	PCY-KIK-NUT Plug Retainer Nut for Standard KIK Cylinders	\$2.67	\$2.67	N/A
9	PCY-CVR-KIK-5 Body Spring Cover for KIK Cylinders (5 Chamber)	\$1.89	\$1.89	N/A
10	PCY-SPR-BOD-KIK Body Spring Stainless Steel for KIK/KID, 7/8" Ø Product (Bag of 100)	\$35.44	\$29.89	N/A
11	PCY-PIN-BOD-STD Body Pin Nickel Silver for Standard Product (Bag of 100)	\$144.00	\$125.11	N/A
12	PCY-PIN-PLG-_ Plug Pins-Internal (As Needed, See Pin Section)	\$85.00	\$75.00	N/A
13	PCY-PIN-PLG-_ Plug Pins-External (As Needed, See Pin Section)	\$85.00	\$75.00	N/A
14	N/A Ball Bearing Anti-Drill (Not Sold Separately)	N/A	N/A	N/A



Cylinder-Parts-KIK

Parts for KIKKA1 Cylinders

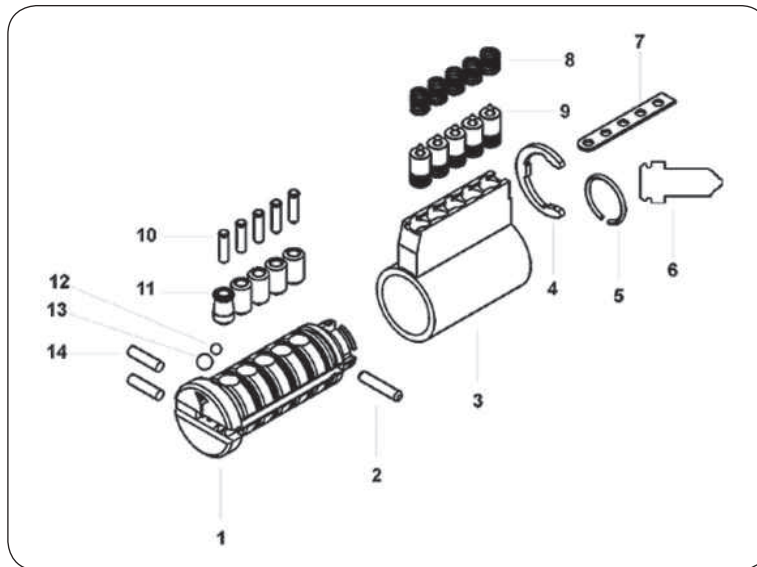
Part #	Description	MT5®+	Interactive®+ Classic	Integrator®	
1	KWPG-KIKMS1-XX	Cylinder Plug for Arrow® "M" Knob Type KIK Cylinder (Specify Keyway and Finish)	\$68.33	\$59.44	N/A
2	N/A	Anti-Drill Pin (Not Sold Separately)	N/A	N/A	N/A
3	XXX-KIKSA11	Cylinder Body for Sargent® "10" Line Type KIK Cylinder	\$61.56	\$61.56	N/A
4	PCY-ECLIP-1	E-Clip for Plug for Cylinders 15.5	\$2.67	\$2.67	N/A
5	PCY-CT-KIK-RING	Tailpiece Retainer Ring Spring for KIK Cylinders	\$1.89	\$1.89	N/A
7	PCY-CVR-KIK-5	Body Spring Cover for KIK Cylinders (5 Chamber)	\$1.89	\$1.89	N/A



Cylinder-Parts-KIK

Parts for KIKMA Cylinders

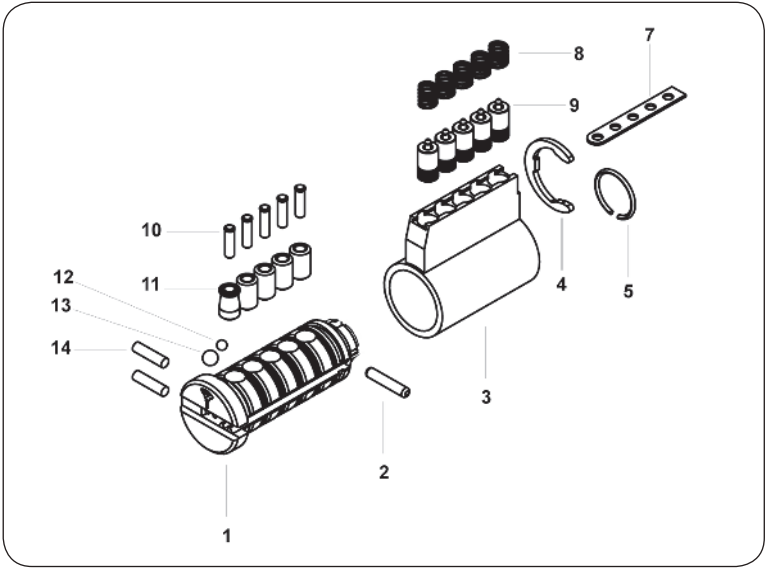
Part #	Description	MT5®+	Interactive®+	
			Classic	Integrator®
1	KWPG-KIKARM-XX Cylinder Plug for Arrow® "M" Knob Type KIK Cylinder (Specify Keyway and Finish)	\$68.33	\$59.44	N/A
2	N/A Anti-Drill Pin (Not Sold Separately)	N/A	N/A	N/A
3	XXX-KIKSH Cylinder Body for Schlage® Type KIK Cylinder	\$61.56	\$61.56	N/A
4	PCY-ECLIP-1 E-Clip for Plug for Cylinders 15.5	\$2.67	\$2.67	N/A
5	PCY-CT-KIK-RING Tailpiece Retainer Ring Spring for KIK Cylinders	\$1.89	\$1.89	N/A
6	PCY-CT-KIKMA Tailpiece for Marks / Alarm Lock® Trilogy® KIK Cylinder	\$6.00	\$6.00	N/A
7	PCY-CVR-KIK-5 Body Spring Cover for KIK Cylinders (5 Chamber)	\$1.89	\$1.89	N/A
8	PCY-SPR-BOD-KIK Body Spring Stainless Steel for KIK/KID, 7/8" Ø Product (Bag of 100)	\$35.44	\$29.89	N/A
9	PCY-PIN-BOD-STD Body Pin Nickel Silver for Standard Product (Bag of 100)	\$144.00	\$125.11	N/A
10	PCY-PIN-PLG-__ Plug Pins-Internal (As Needed, See Pin Section)	\$85.00	\$75.00	N/A
11	PCY-PIN-PLG-__ Plug Pins-External (As Needed, See Pin Section)	\$85.00	\$75.00	N/A
12	N/A Ball Bearing Anti-Drill (Not Sold Separately)	N/A	N/A	N/A
13	N/A Ball Bearing Anti-Drill (Not Sold Separately)	N/A	N/A	N/A
14	N/A Anti-Drill Pin (Not Sold Separately)	N/A	N/A	N/A



Cylinder-Parts-KIK

Parts for KIKMS1 Cylinders

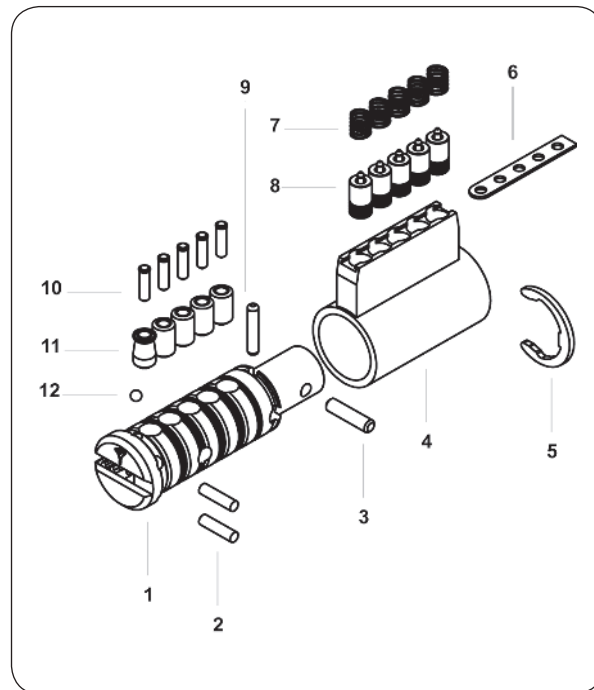
Part #	Description	MT5@+	Interactive@+ Classic	Integrator®
1 KWPG-KIKMS1-XX	Cylinder Plug for Arrow® "M" Knob Type KIK Cylinder (Specify Keyway and Finish)	\$68.33	\$59.44	N/A
2 N/A	Anti-Drill Pin (Not Sold Separately)	N/A	N/A	N/A
3 XXX-KIKSH	Cylinder Body for Schlage® Type KIK Cylinder	\$61.56	\$61.56	N/A
4 PCY-ECLIP-1	E-Clip for Plug for Cylinders 15.5	\$2.67	\$2.67	N/A
5 PCY-CT-KIK-RING	Tailpiece Retainer Ring Spring for KIK Cylinders	\$1.89	\$1.89	N/A
6 PCY-CVR-KIK-5	Body Spring Cover for KIK Cylinders (5 Chamber)	\$1.89	\$1.89	N/A
7 PCY-CVR-KIK-5	Body Spring Cover for KIK Cylinders (5 Chamber)	\$35.44	\$29.89	N/A
8 PCY-SPR-BOD-KIK	Body Spring Stainless Steel for KIK/KID, 7/8" Ø Product (Bag of 100)	\$144.00	\$125.11	N/A
9 PCY-PIN-BOD-STD	Body Pin Nickel Silver for Standard Product (Bag of 100)	\$85.00	\$75.00	N/A
10 PCY-PIN-PLG-__	Plug Pins-Internal (As Needed, See Pin Section)	\$85.00	\$75.00	N/A
11 PCY-PIN-PLG-__	Plug Pins-External (As Needed, See Pin Section)	N/A	N/A	N/A
12 N/A	Ball Bearing Anti-Drill (Not Sold Separately)	N/A	N/A	N/A
13 N/A	Ball Bearing Anti-Drill (Not Sold Separately)	N/A	N/A	N/A
14 N/A	Anti-Drill Pin (Not Sold Separately)	N/A	N/A	N/A



Cylinder-Parts-KIK

Parts for KIKSA8 Cylinders

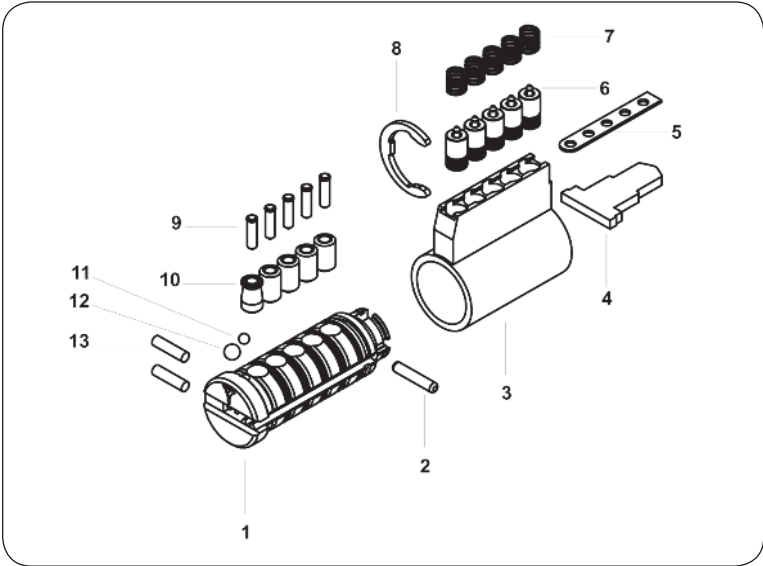
Part #	Description	MT5@+	Interactive@+	
			Classic	Integrator®
1	KWPG-KIKSA8-XX Cylinder Plug for Sargent® "8" Line Type KIK Cylinder (Specify Keyway and Finish)	\$68.33	\$59.44	N/A
2	N/A Anti-Drill Pin (Not Sold Separately)	N/A	N/A	N/A
3	PCY-KIKSA-ROLL Roll Pin for Sargent® "8" Line Type KIK Cylinder	\$1.89	\$1.89	N/A
4	XXX-KIKSA8 Cylinder Body for Sargent® "8" Line Type KIK Cylinder	\$61.56	\$61.56	N/A
5	PCY-ECLIP-1 E-Clip for Plug for Cylinders 15.5	\$2.67	\$2.67	N/A
6	PCY-CVR-KIK-5 Body Spring Cover for KIK Cylinders (5 Chamber)	\$1.89	\$1.89	N/A
7	PCY-SPR-BOD-KIK Body Spring Stainless Steel for KIK/KID, 7/8" Ø Product (Bag of 100)	\$35.44	\$29.89	N/A
8	PCY-PIN-BOD-STD Body Pin Nickel Silver for Standard Product (Bag of 100)	\$144.00	\$125.11	N/A
9	N/A Anti-Drill Pin (Not Sold Separately)	N/A	N/A	N/A
10	PCY-PIN-PLG-__ Plug Pins-Internal (As Needed, See Pin Section)	\$85.00	\$75.00	N/A
11	PCY-PIN-PLG-__ Plug Pins-External (As Needed, See Pin Section)	\$85.00	\$75.00	N/A
12	N/A Ball Bearing Anti-Drill (Not Sold Separately)	N/A	N/A	N/A



Cylinder-Parts-KIK

Parts for KIKSA10 Cylinders

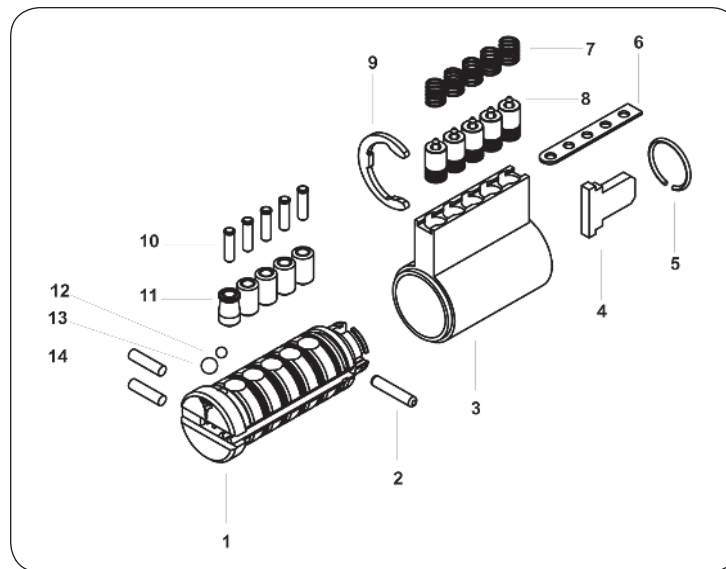
Part #	Description	MT5@+	Interactive@+	
			Classic	Integrator®
1	KWPG-KIKSA10-XX Cylinder Plug for Sargent® "10" Line Type KIK Cylinder (Specify Keyway and Finish)	\$68.33	\$59.44	N/A
2	N/A Anti-Drill Pin (Not Sold Separately)	N/A	N/A	N/A
3	XXX-KIKSA11 Cylinder Body for Sargent® "10" Line Type KIK Cylinder	\$61.56	\$61.56	N/A
4	PCY-CT-KIKARM-SM Tailpiece for Arrow® "M" Series Knob/Sargent® "7 & 10" Line Lever KIK (Long)	\$6.00	\$6.00	N/A
5	PCY-CVR-KIK-5 Body Spring Cover for KIK Cylinders (5 Chamber)	\$1.89	\$1.89	N/A
6	PCY-PIN-BOD-STD Body Pin Nickel Silver for Standard Product (Bag of 100)	\$144.00	\$125.11	N/A
7	PCY-SPR-BOD-KIK Body Spring Stainless Steel for KIK/KID, 7/8" Ø Product (Bag of 100)	\$35.44	\$29.89	N/A
8	PCY-ECLIP-1 E-Clip for Plug for Cylinders 15.5	\$2.67	\$2.67	N/A
9	PCY-PIN-PLG-_ Plug Pins-Internal (As Needed, See Pin Section)	\$85.00	\$75.00	N/A
10	PCY-PIN-PLG-_ Plug Pins-External (As Needed, See Pin Section)	\$85.00	\$75.00	N/A
11	N/A Ball Bearing Anti-Drill (Not Sold Separately)	N/A	N/A	N/A
12	N/A Ball Bearing Anti-Drill (Not Sold Separately)	N/A	N/A	N/A
13	N/A Anti-Drill Pin (Not Sold Separately)	N/A	N/A	N/A



Cylinder-Parts-KIK

Parts for KIKSA11 Cylinders

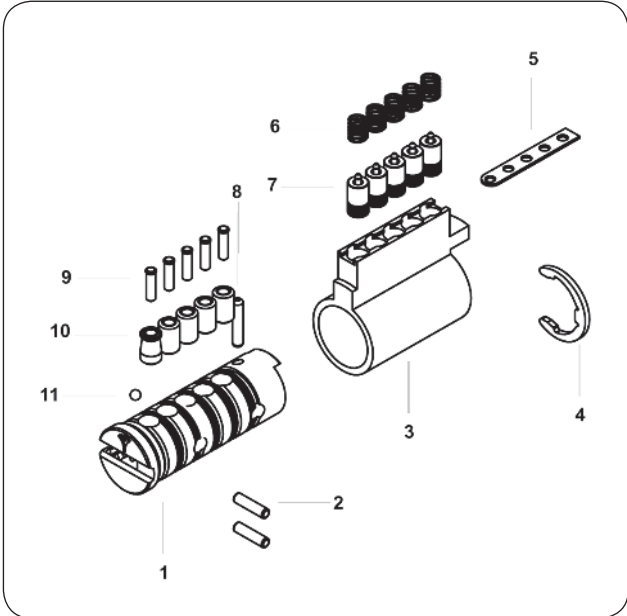
Part #	Description	MT5®+	Interactive®+	
			Classic	Integrator®
1	KWPG-KIKSA10-XX Cylinder Plug for Sargent® "10" Line Type KIK Cylinder (Specify Keyway and Finish)	\$68.33	\$59.44	N/A
2	N/A Anti-Drill Pin (Not Sold Separately)	N/A	N/A	N/A
3	XXX-KIKSA11 Cylinder Body for Sargent® "11" Line Type KIK Cylinder	\$61.56	\$61.56	N/A
4	PCY-CT-KIKSA11 Tailpiece for Sargent® "11" Line T-Zone	\$6.00	\$6.00	N/A
5	PCY-CT-KIK-RING Tailpiece Retainer Ring Spring for KIK Cylinders	\$1.89	\$1.89	N/A
6	PCY-CVR-KIK-5 Body Spring Cover for KIK Cylinders (5 Chamber)	\$1.89	\$1.89	N/A
7	PCY-SPR-BOD-KIK Body Spring Stainless Steel for KIK/KID, 7/8" Ø Product (Bag of 100)	\$35.44	\$29.89	N/A
8	PCY-PIN-BOD-STD Body Pin Nickel Silver for Standard Product (Bag of 100)	\$144.00	\$125.11	N/A
9	PCY-ECLIP-1 E-Clip for Plug for Cylinders 15.5	\$2.67	\$2.67	N/A
10	PCY-PIN-PLG-__ Plug Pins-Internal (As Needed, See Pin Section)	\$85.00	\$75.00	N/A
11	PCY-PIN-PLG-__ Plug Pins-External (As Needed, See Pin Section)	\$85.00	\$75.00	N/A
12	N/A Ball Bearing Anti-Drill (Not Sold Separately)	N/A	N/A	N/A
13	N/A Ball Bearing Anti-Drill (Not Sold Separately)	N/A	N/A	N/A
14	N/A Anti-Drill Pin (Not Sold Separately)	N/A	N/A	N/A



Cylinder-Parts-KIK

Parts for KIKSAIN Cylinders

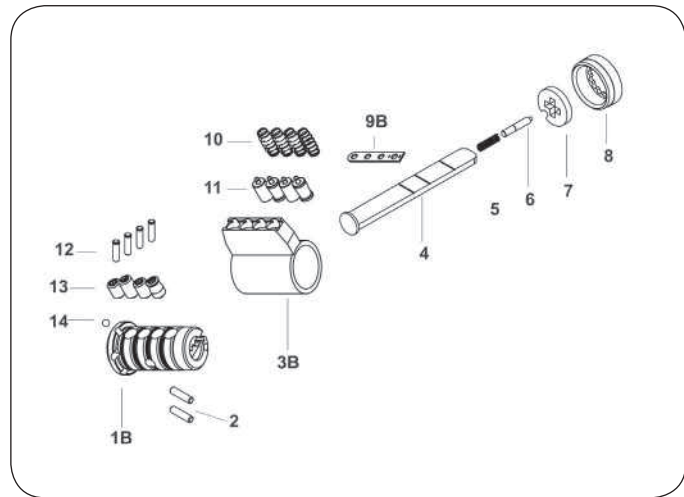
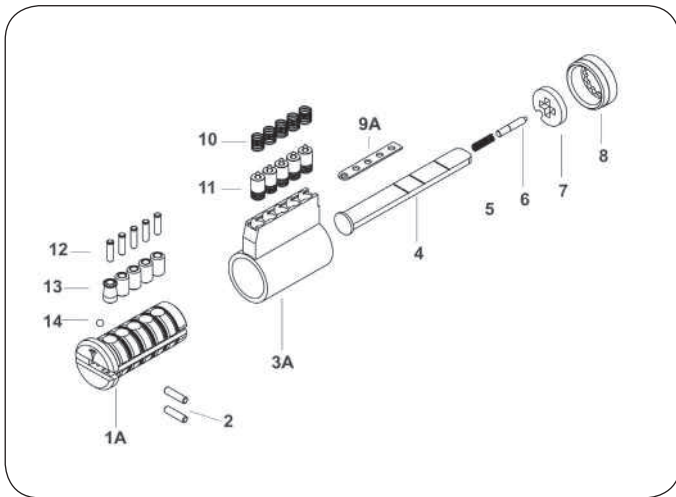
Part #	Description	MT5@+	Interactive@+	
			Classic	Integrator®
1	KWPG-KIKSAIN-XX Cylinder Plug for Sargent® Integra Line Type KIK Cylinder (Specify Keyway and Finish)	\$68.33	\$59.44	N/A
2	N/A Anti-Drill Pin (Not Sold Separately)	N/A	N/A	N/A
3	XXX-KIKSAIN Cylinder Body for Sargent® Integra Line Type KIK Cylinder	\$61.56	\$61.56	N/A
4	PCY-ECLIP-1 E-Clip for Plug for Cylinders 15.5	\$2.67	\$2.67	N/A
5	PCY-CVR-KIK-5 Body Spring Cover for KIK Cylinders (5 Chamber)	\$1.89	\$1.89	N/A
6	PCY-SPR-BOD-KIK Body Spring Stainless Steel for KIK/KID, 7/8" Ø Product (Bag of 100)	\$35.44	\$29.89	N/A
7	PCY-PIN-BOD-STD Body Pin Nickel Silver for Standard Product (Bag of 100)	\$144.00	\$125.11	N/A
8	N/A Anti-Drill Pin (Not Sold Separately)	N/A	N/A	N/A
9	PCY-PIN-PLG-_ Plug Pins-Internal (As Needed, See Pin Section)	\$85.00	\$75.00	N/A
10	PCY-PIN-PLG-_ Plug Pins-External (As Needed, See Pin Section)	\$85.00	\$75.00	N/A
11	N/A Ball Bearing Anti-Drill (Not Sold Separately)	N/A	N/A	N/A



Cylinder-Parts-KIK

Parts for KIKSH and KIKSH4 Cylinders

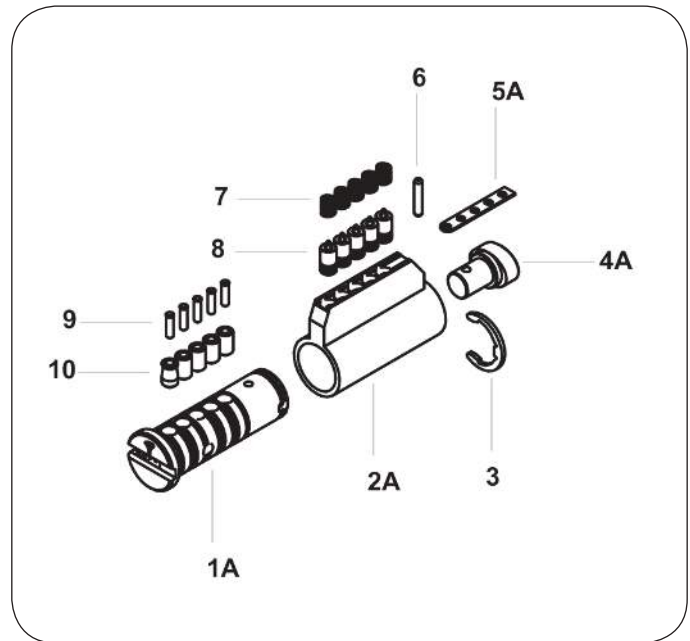
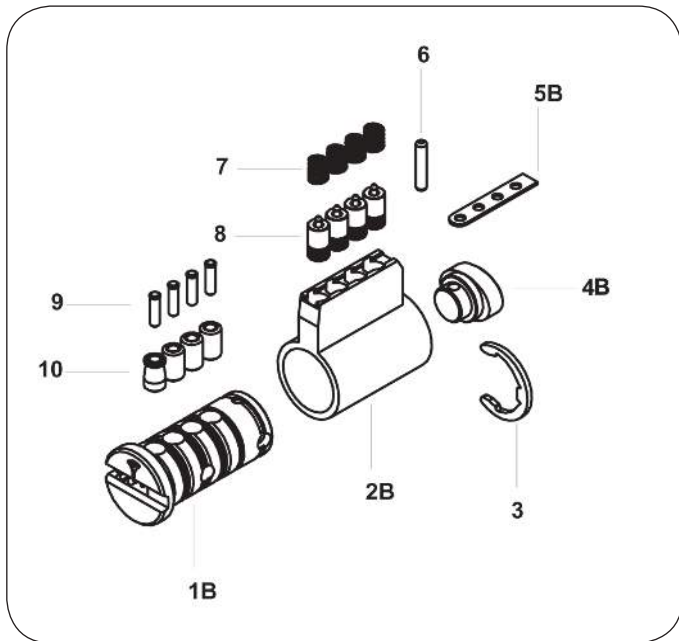
Part #	Description	MT5®+	Interactive®+	
			Classic	Integrator®
1A	KWPG-KIKSH-XX Cyl. Plug for Schlage® KIK Cylinder (Specify Keyway and Finish)	\$68.33	\$59.44	\$58.89
1B	KWPG-KIKSH4-XX Cyl. Plug for Schlage® KIK Cylinder (4 Chamber) (Specify Keyway and Finish)	\$68.33	\$59.44	\$58.89
2	N/A Anti-Drill Pin (Not Sold Separately)	N/A	N/A	N/A
3A	XXX-KIKSH Cylinder Body for Schlage® Type KIK Cylinder	\$61.56	\$61.56	\$61.56
3B	XXX-KIKSH4 Cylinder Body for Schlage® Type KIK Cylinder (4 Chamber)	\$61.00	\$61.00	\$61.00
4	PCY-CT-KIKSH-TAIL Tailpiece for Schlage® Type KIK Cylinder (Tail Only)	\$3.33	\$3.33	\$3.33
5	PCY-KIK-RSPR Retainer Pin Spring for KIK Cylinders	\$0.56	\$0.56	\$0.56
6	PCY-KIK-RPIN Retainer Pin for KIK Cylinders	\$2.78	\$2.78	\$2.78
7	PCY-CT-DISCKIK Tailpiece Locator Disc for KIK Cylinders (Fixed Motion)	\$3.33	\$3.33	\$3.33
8	PCY-KIK-NUT Plug Retainer Nut for Standard KIK Cylinders	\$2.67	\$2.67	\$2.67
9A	PCY-CVR-KIK-5 Body Spring Cover for KIK Cylinders (5 Chamber)	\$1.89	\$1.89	\$1.89
9B	PCY-CVR-KIK-4 Body Spring Cover for KIK Cylinders (4 Chamber)	\$1.89	\$1.89	\$1.89
10	PCY-SPR-BOD-KIK Body Spring Stainless Steel for KIK/KID, 7/8" Ø Product (Bag of 100)	\$35.44	\$29.89	\$30.00
11	PCY-PIN-BOD-STD Body Pin Nickel Silver for Standard Product (Bag of 100)	\$144.00	\$125.11	\$90.00
12	PCY-PIN-PLG-__ Plug Pins-Internal (As Needed, See Pin Section)	\$85.00	\$75.00	\$58.06
13	PCY-PIN-PLG-__ Plug Pins-External (As Needed, See Pin Section)	\$85.00	\$75.00	\$58.06
14	N/A Ball Bearing Anti-Drill (Not Sold Separately)	N/A	N/A	N/A



Cylinder-Parts-KIK

Parts for KIKSHF & KIKSHF4 Cylinders

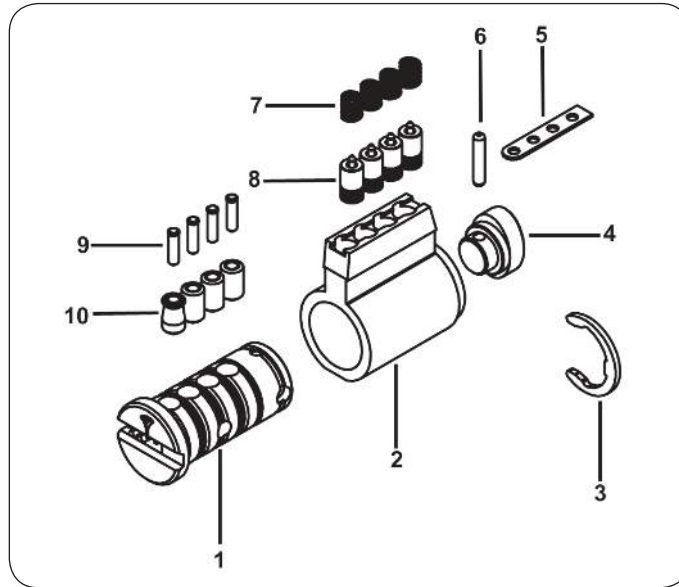
Part #	Description	Interactive®+		
		MT5@+	Classic	Integrator®
1A	KWPG-KIKSHF-XX Cyl. Plug for Schlage® "F" Line Orbit KIK (Specify Keyway and Finish)	\$68.06	\$59.22	N/A
1B	KWPG-KIKSHF4-XX Cyl. Plug for Schlage® "F" Line Plymouth KIK (4 Chamber) Specify Keyway & Finish)	\$68.33	\$59.44	N/A
2A	XXX-KIKSHF Cyl. Body for Schlage® "F" Line OrbitType KIK	\$61.56	\$61.56	N/A
2B	XXX-KIKSHF4 Cyl. Body for Schlage® "F" Line Plymouth KIK (4 Chamber)	\$61.56	\$61.56	N/A
3	PCY-ECLIP-1 E-Clip for Plug for Cylinders 15.5	\$2.67	\$2.67	N/A
4A	PCY-CT-KIKSHF Tailpiece for Schlage® "F" Line Knob-Orbit KIK Cylinder	\$6.00	\$6.00	N/A
4B	PCY-CT-KIKSHF4 Tailpiece for Schlage® "F" Line Knob-Plymouth KIK Cylinder (4 Chamber)	\$6.00	\$6.00	N/A
5A	PCY-CVR-KIK-5 Body Spring Cover for KIK Cylinders (5 Chamber)	\$1.89	\$1.89	N/A
5B	PCY-CVR-KIK-4 Body Spring Cover for KIK Cylinders (4 Chamber)	\$1.89	\$1.89	N/A
6	PCY-KIK-TAILPIN Tailpiece Retainer Pin for KIK Cylinders	\$2.78	\$2.78	N/A
7	PCY-SPR-BOD-KIK Body Spring Stainless Steel for KIK/KID, 7/8" Ø Product (Bag of 100)	\$35.44	\$29.89	N/A
8	PCY-PIN-BOD-STD Body Pin Nickel Silver for Standard Product (Bag of 100)	\$144.00	\$125.11	N/A
9	PCY-PIN-PLG-_ Plug Pins-Internal (As Needed, See Pin Section)	\$85.00	\$75.00	N/A
10	PCY-PIN-PLG-_ Plug Pins-External (As Needed, See Pin Section)	\$85.00	\$75.00	N/A
11	N/A Ball Bearing Anti-Drill (Not Sold Separately)	N/A	N/A	N/A



Cylinder-Parts-KIK

Parts for KIKSHFL Cylinders

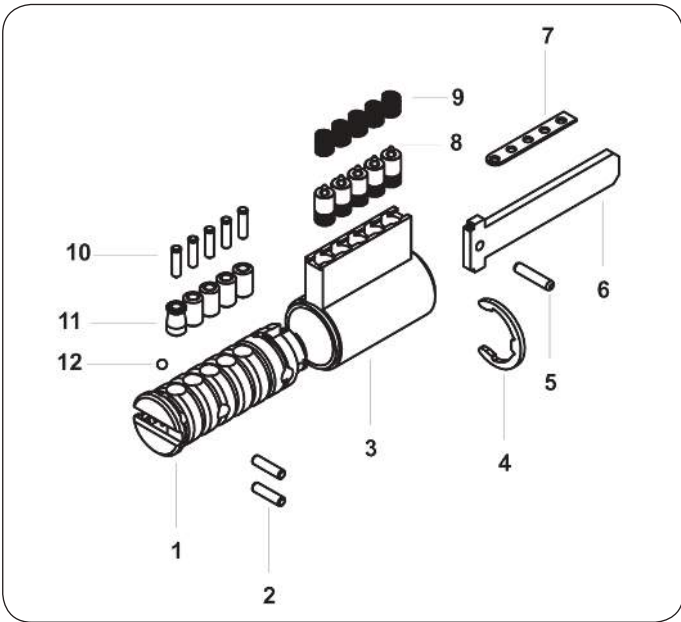
Part #	Description	MT5®+	Interactive®+	
			Classic	Integrator®
1	KWPG-KIKSHFL-XX Cyl. Plug for Schlage® "F" Line Lever KIK Cyl. (4 Chamber) [specify Keyway and Finish]	\$68.33	\$59.44	N/A
2	XXX-KIKSHFL Cyl. Body for Schlage® "F" Line Lever KIK Cyl. (4 Chamber)	\$61.56	\$61.56	N/A
3	PCY-ECLIP-1 E-Clip for Plug for Cylinders 15.5	\$2.67	\$2.67	N/A
4	PCY-CT-KIKSHFL Tailpiece for Schlage® "F" Line Lever Type KIK Cylinder	\$6.00	\$6.00	N/A
5	PCY-CVR-KIK-4 Body Spring Cover for KIK Cylinders (4 Chamber)	\$1.89	\$1.89	N/A
6	PCY-KIK-TAILPIN Tailpiece Retainer Pin for KIK Cylinders	\$2.78	\$2.78	N/A
7	PCY-SPR-BOD-KIK Body Spring Stainless Steel for KIK/KID, 7/8" Ø Product (Bag of 100)	\$35.44	\$29.89	N/A
8	PCY-PIN-BOD-STD Body Pin nickel Silver for Standard Product (Bag of 100)	\$144.00	\$125.11	N/A
9	PCY-PIN-PLG-__ Plug Pins-Internal (As Needed, See Pin Section)	\$85.00	\$75.00	N/A
10	PCY-PIN-PLG-__ Plug Pins-External (As Needed, See Pin Section)	\$85.00	\$75.00	N/A



Cylinder-Parts-KIK

Parts for KIKYA Cylinders

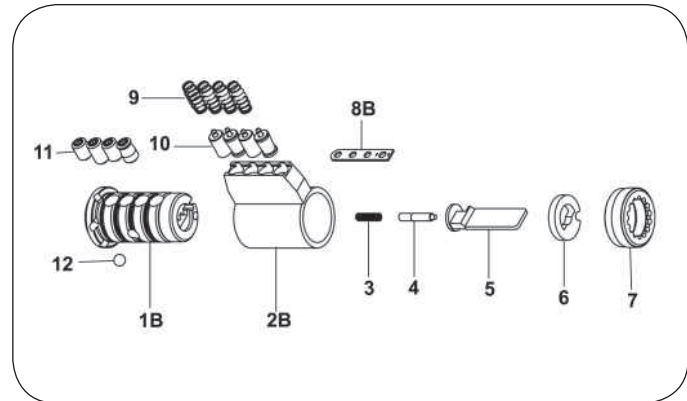
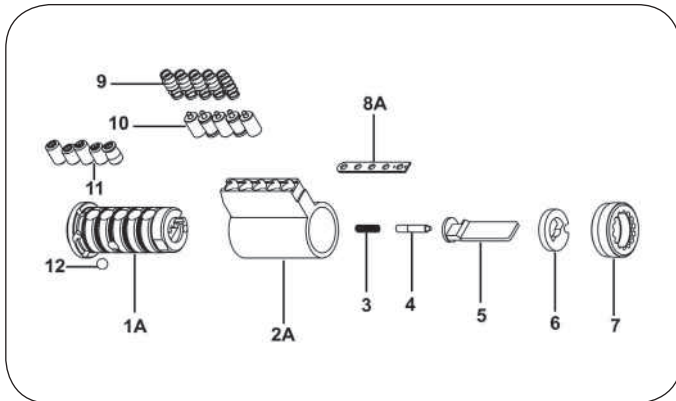
Part #	Description	MT5®+	Interactive®+	
			Classic	Integrator®
1	KWPG-KIKYA-XX Cylinder Plug for Yale® Type KIK Cylinder (Specify Keyway and Finish)	\$68.33	\$59.44	N/A
2	N/A Anti Drill Pin (Not Sold Separately)	N/A	N/A	N/A
3	XXX-KIKYA Cylinder Body for Yale® Type KIK Cylinder	\$61.56	\$61.56	N/A
4	PCY-ECLIP-1 E-Clip for Plug for Cylinders 15.5	\$2.67	\$2.67	N/A
5	PCY-KIK-TAILPIN Tailpiece Retainer Pin for KIK Cylinders	\$2.78	\$2.78	N/A
6	PCY-CT-KIKYA Tailpiece for Yale® Lever Type KIK Cylinder	\$6.00	\$6.00	N/A
7	PCY-CVR-KIK-5 Body Spring Cover for KIK Cylinders (5 Chamber)	\$1.89	\$1.89	N/A
8	PCY-PIN-BOD-STD Body Pin nickel Silver for Standard Product (Bag of 100)	\$144.00	\$125.11	N/A
9	PCY-SPR-BOD-KIK Body Spring Stainless Steel for KIK/KID, 7/8" Ø Product (Bag of 100)	\$35.44	\$29.89	N/A
10	PCY-PIN-PLG-_ Plug Pins-Internal (As Needed, See Pin Section)	\$85.00	\$75.00	N/A
11	PCY-PIN-PLG-_ Plug Pins-External (As Needed, See Pin Section)	\$85.00	\$75.00	N/A
12	N/A Ball Bearing Anti-Drill (Not Sold Separately)	N/A	N/A	N/A



Cylinder-Parts-KID

Parts for KIDARD and KIDARD4 Cylinders

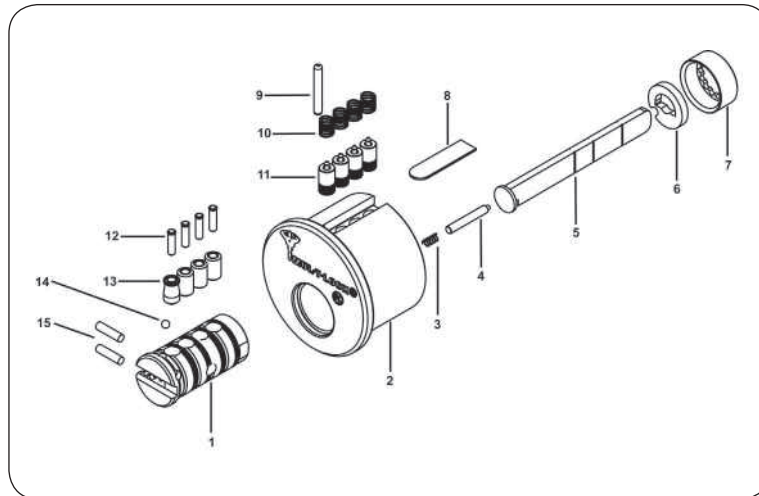
Part #	Description	Interactive@+		
		MT5@+	Classic	Integrator@
1A	KWPG-KIKSH-XX Cyl. Plug for Schlage® Type KIK (Specify Keyway and Finish)	\$68.33	\$59.44	N/A
1B	KWPG-KIKSH4-XX Cyl. Plug for Schlage® Type KIK (4 Chamber) (Specify Keyway and Finish)	\$68.33	\$59.44	N/A
2A	XXX-KIKSH-XX Cyl. Body for Schlage® Type KIK	\$61.56	\$61.56	N/A
2B	XXX-KIKSH4-XX Cyl. Body for Schlage® Type KIK (4 Chamber)	\$61.56	\$61.56	N/A
3	PCY-KIK-RSPR Retainer Pin Spring for KIK Cylinders	\$0.56	\$0.56	N/A
4	PCY-KIK-RPIN Retainer Pin for KIK Cylinders	\$2.78	\$2.78	N/A
5	PCY-CT-KIDARD Tailpiece for Arrow® Double DB Type KID Cylinder (Complete with/Locator Disc)	\$6.00	\$6.00	N/A
6	PCY-CT-DISCKID Tailpiece Locator Disc for KIK Cylinders (Lazy Motion)	\$3.33	\$3.33	N/A
7	PCY-KIK-NUT Plug Retainer Nut for Standard KIK Cylinders	\$2.67	\$2.67	N/A
8A	PCY-CVR-KIK-5 Body Spring Cover for KIK Cylinders (5 Chamber)	\$1.89	\$1.89	N/A
8B	PCY-CVR-KIK-4 Body Spring Cover for KIK Cylinders (4 Chamber)	\$1.89	\$1.89	N/A
9	PCY-SPR-BOD-KIK Body Spring Stainless Steel for KIK/KID, 7/8" Ø Product (Bag of 100)	\$35.44	\$29.89	N/A
10	PCY-PIN-BOD-STD Body Pin nickel Silver for Standard Product (Bag of 100)	\$144.00	\$125.11	N/A
11	PCY-PIN-PLG-_ Plug Pins-External / Internal (As Needed, See Pin Section)	\$85.00	\$75.00	N/A
12	N/A Ball Bearing Anti-Drill (Not Sold Separately)	N/A	N/A	N/A



Cylinder-Parts-KID

Parts for KIDBA Cylinders

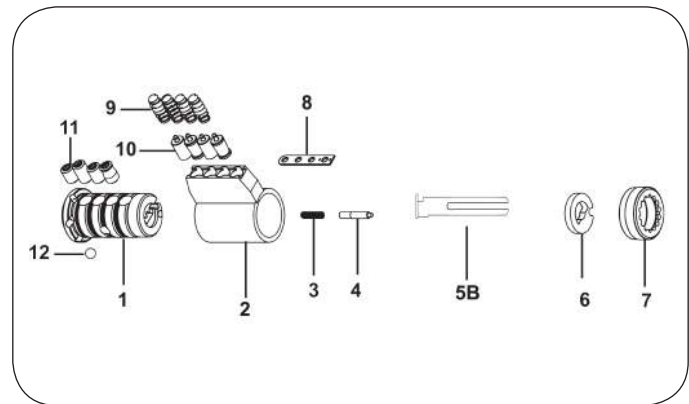
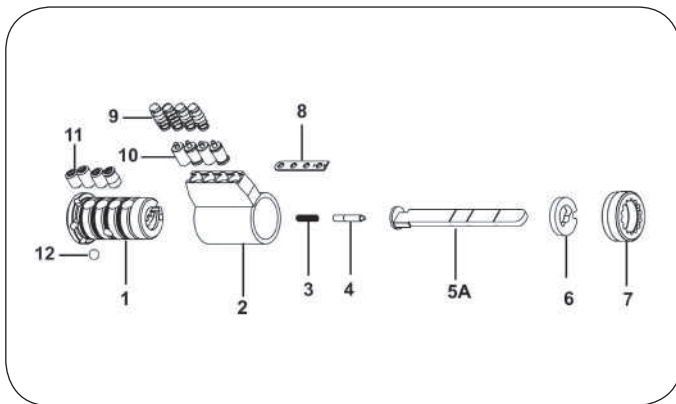
Part #	Description	MT5@+	Interactive@+	
			Classic	Integrator®
1	KWPG-KIDBA-XX Cylinder Plug for Falcon® Type KIK Cylinder (Specify Keyway and Finish)	\$68.33	\$59.44	N/A
2	XXX-KIDBA-XX Cylinder Body for Baldwin® Type KID Cylinder (Specify Keyway and Finish)	\$61.56	\$61.56	N/A
3	PCY-KIK-RSPR Retainer Pin Spring for KIK Cylinders	\$0.56	\$0.56	N/A
4	PCY-KIK-RPIN Retainer Pin for KIK Cylinders	\$2.78	\$2.78	N/A
5	PCY-CT-KIDFA Tailpiece for Falcon® Type KID Cylinder (Complete w/ Locator Disc)	\$3.33	\$3.33	N/A
6	PCY-CT-DISCKID Tailpiece Locator Disc for KIK Cylinders (Lazy Motion)	\$3.33	\$3.33	N/A
7	PCY-KIK-NUT Plug Retainer Nut for Standard KIK Cylinders	\$2.67	\$2.67	N/A
8	PCY-CVR-MOR-4 Body Spring Cover for Mortise/Rim Cylinders/Hercular® (4 Chamber)	\$1.89	\$1.89	N/A
9	N/A Anti Drill Pin (Not Sold Separately)	N/A	N/A	N/A
10	PCY-SPR-BOD-STD Body Spring Stainless Steel for Standard Product (Bag of 100)	\$35.44	\$29.89	N/A
11	PCY-PIN-BOD-STD Body Pin nickel Silver for Standard Product (Bag of 100)	\$144.00	\$125.11	N/A
12	PCY-PIN-PLG-_ Plug Pins-Internal (As Needed, See Pin Section)	\$85.00	\$75.00	N/A
13	PCY-PIN-PLG-_ Plug Pins-External (As Needed, See Pin Section)	\$85.00	\$75.00	N/A
14	N/A Ball Bearing Anti-Drill (Not Sold Separately)	N/A	N/A	N/A
15	N/A Anti Drill Pin (Not Sold Separately)	N/A	N/A	N/A



Cylinder-Parts-KID

Parts for KIDEM and KIDEMD Cylinders

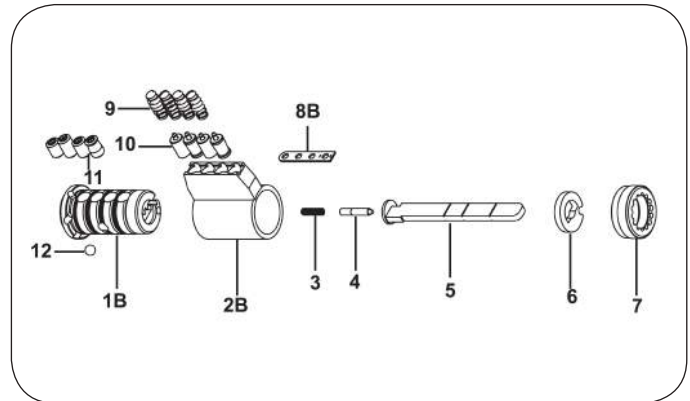
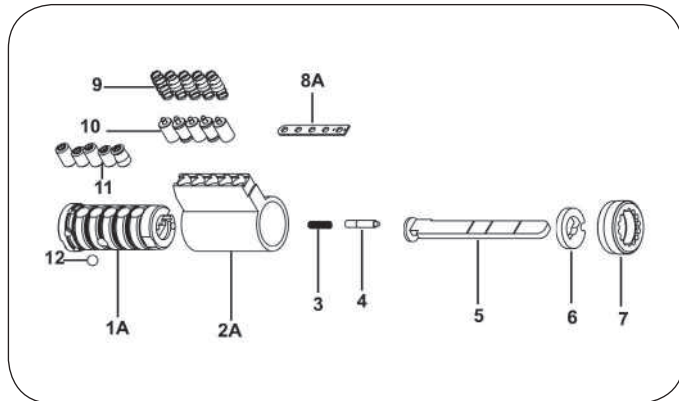
Part #	Description	MT5®+	Interactive®+	
			Classic	Integrator®
1	KWPG-KIKSH4-XX Cyl. Plug for Schlage® Type KIK (4 Chamber) [Specify Keyway and Finish]	\$68.33	\$59.22	N/A
2	XXX-KIKSH4-XX Cyl. Body for Schlage® Type KIK (4 Chamber)	\$61.56	\$61.56	N/A
3	PCY-KIK-RSPR Retainer Pin Spring for KIK Cylinders	\$0.56	\$0.56	N/A
4	PCY-KIK-RPIN Retainer Pin for KIK Cylinders	\$2.78	\$2.78	N/A
5A	PCY-CT-KIDFA Tailpiece for Falcon® Type KID Cylinder (Complete with/Locator Disc)	\$6.00	\$6.00	N/A
5B	PCY-CT-KID-MD2 Tailpiece for Cronus® Grade 2 Double Cylinder Deadbolt	\$5.22	\$5.22	N/A
6	PCY-CT-DISCKID Tailpiece Locator Disc for KIK Cylinders (Lazy Motion)	\$3.33	\$3.33	N/A
7	PCY-KIK-NUT Plug Retainer Nut for Standard KIK Cylinders	\$2.67	\$2.67	N/A
8	PCY-CVR-KIK-4 Body Spring Cover for KIK Cylinders (4 Chamber)	\$1.89	\$1.89	N/A
9	PCY-SPR-BOD-KIK Body Spring Stainless Steel for KIK/KID, 7/8" Ø Product (Bag of 100)	\$35.44	\$29.89	N/A
10	PCY-PIN-BOD-STD Body Pin nickel Silver for Standard Product (Bag of 100)	\$144.00	\$125.11	N/A
11	PCY-PIN-PLG-__ Plug Pins-External / Internal (As Needed, See Pin Section)	\$85.00	\$75.00	N/A
12	N/A Ball Bearing Anti-Drill (Not Sold Separately)	N/A	N/A	N/A



Cylinder-Parts-KID

Parts for KIDFA and KIDFA4 Cylinders

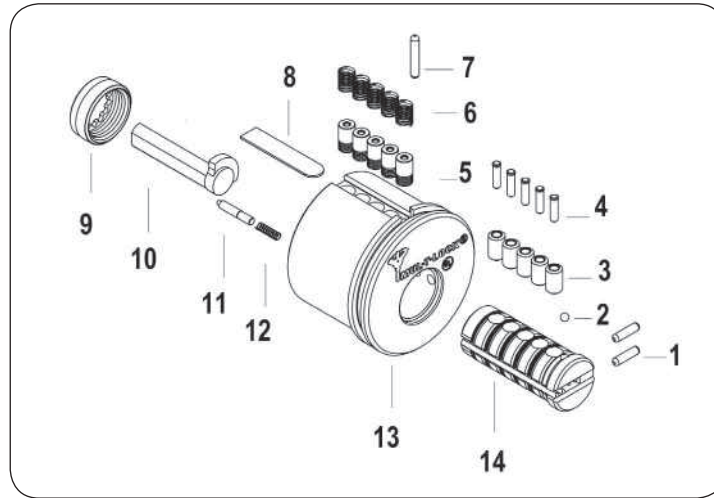
Part #	Description	MT5@+	Interactive@+ Classic	Integrator@
1A	KWPG-KIKFA-XX Cyl. Plug for Falcon® Type KIK (Specify Keyway and Finish)	\$68.33	\$59.44	N/A
1B	KWPG-KIKFA4-XX Cyl. Plug for Falcon® Type KIK (4 Chamber) (specify Keyway and Finish)	\$68.33	\$59.44	N/A
2A	XXX-KIKSH-XX Cyl. Body for Schlage® Type KIK	\$61.56	\$61.56	N/A
2B	XXX-KIKSH4-XX Cyl. Body for Schlage® Type KIK (4 Chamber)	\$61.56	\$61.56	N/A
3	PCY-KIK-RSPR Retainer Pin Spring for KIK Cylinders	\$0.56	\$0.56	N/A
4	PCY-KIK-RPIN Retainer Pin for KIK Cylinders	\$2.78	\$2.78	N/A
5	PCY-CT-KIDFA Tailpiece for Falcon® Type KID Cylinder (Complete with/Locator Disc)	\$6.00	\$6.00	N/A
6	PCY-CT-DISCKID Tailpiece Locator Disc for KIK Cylinders (Lazy Motion)	\$3.33	\$3.33	N/A
7	PCY-KIK-NUT Plug Retainer Nut for Standard KIK Cylinders	\$2.67	\$2.67	N/A
8A	PCY-CVR-KIK-5 Body Spring Cover for KIK Cylinders (5 Chamber)	\$1.89	\$1.89	N/A
8B	PCY-CVR-KIK-4 Body Spring Cover for KIK Cylinders (4 Chamber)	\$1.89	\$1.89	N/A
9	PCY-SPR-BOD-KIK Body Spring Stainless Steel for KIK/KID, 7/8" Ø Product (Bag of 100)	\$35.44	\$29.89	N/A
10	PCY-PIN-BOD-STD Body Pin nickel Silver for Standard Product (Bag of 100)	\$144.00	\$125.11	N/A
11	PCY-PIN-PLG- Plug Pins-External / Internal (As Needed, See Pin Section)	\$85.00	\$75.00	N/A
12	N/A Ball Bearing Anti-Drill (Not Sold Separately)	N/A	N/A	N/A



Cylinder-Parts-KID

Parts for KIDKW Cylinders

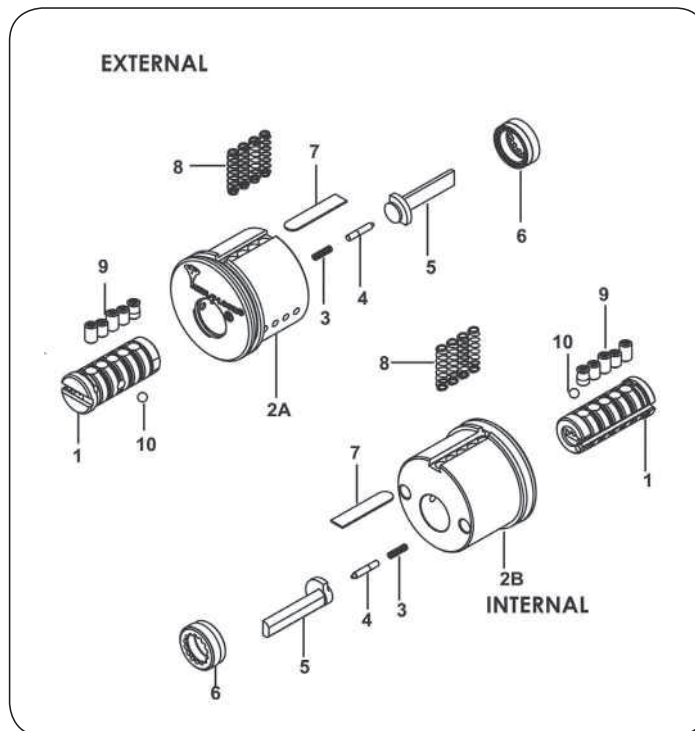
Part #	Description	MT5®+	Interactive®+ Classic	Integrator®
1 N/A	Anti Drill Pin (Not Sold Separately)	N/A	N/A	N/A
2 N/A	Ball Bearing Anti-Drill (Not Sold Separately)	N/A	N/A	N/A
3 PCY-PIN-PLG-__	Plug Pins-External (As Needed, See Pin Section)	\$85.00	\$75.00	N/A
4 PCY-PIN-PLG-__	Plug Pins-Internal (As Needed, See Pin Section)	\$85.00	\$75.00	N/A
5 PCY-PIN-BOD-STD	Body Pin nickel Silver for Standard Product (Bag of 100)	\$144.00	\$125.11	N/A
6 PCY-SPR-BOD-STD	Body Spring Stainless Steel for Standard Product (Bag of 100)	\$35.44	\$29.89	N/A
7 N/A	Anti Drill Pin (Not Sold Separately)	N/A	N/A	N/A
8 PCY-CVR-MOR-5	Body Spring Cover for Mortise/Rim Cylinders/Hercular® (5 Chamber)	\$1.89	\$1.89	N/A
9 PCY-KIK-NUT	Plug Retainer Nut for Standard KIK Cylinders	\$2.67	\$2.67	N/A
10 PCY-CT-KIDKW	Tailpiece for Kwikset® Titan® Single DB Type KID Cylinder	\$6.00	\$6.00	N/A
11 PCY-KIK-RPIN	Retainer Pin for KIK Cylinders	\$2.78	\$2.78	N/A
12 PCY-KIK-RSPR	Retainer Pin Spring for KIK Cylinders	\$0.56	\$0.56	N/A
13 XXX-KIDKW	Cyl. Body for Kwikset® Titan® Type KID	\$68.56	\$68.56	N/A
14 KWPG-KIDKEXT-XX	Cyl. Plug for Kwikset® Titan® Type KID (Specify Keyway and Finish)	\$68.33	\$59.44	N/A



Cylinder-Parts-KID

Parts for KIDKWD Cylinders

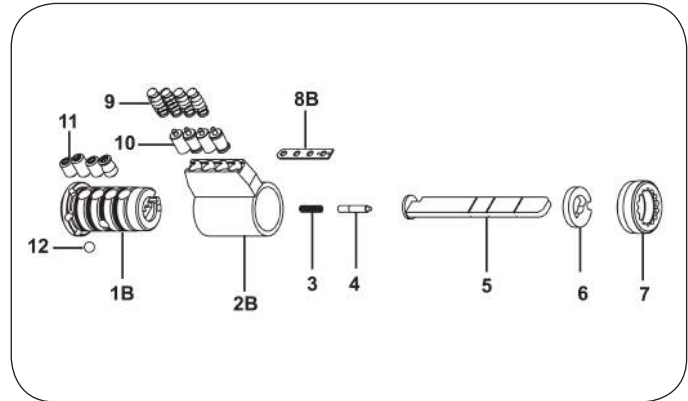
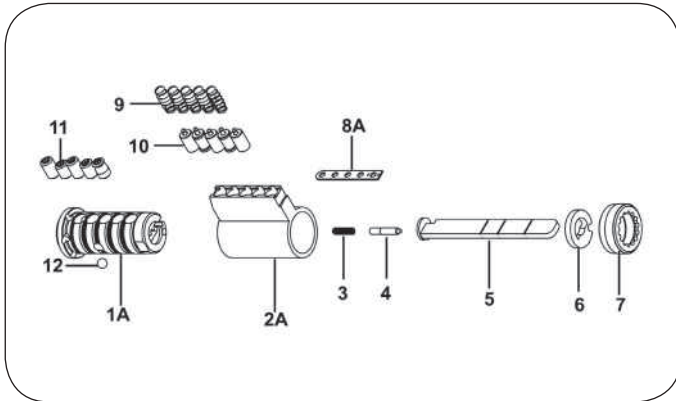
Part #	Description	MT5@+	Interactive@+ Classic	Integrator@	
1	KWPG-KIDKW-XX	Cyl. Plug for Kwikset® Titan® KID (Specify Keyway and Finish)	\$68.33	\$59.44	N/A
2A	XXX-KIDKEXT-XX	Cylinder Body for Kwikset® Titan® Type KID Cylinder (External)	\$61.56	\$61.56	N/A
2B	XXX-KIDKINT-XX	Cylinder Body for Kwikset® Titan® Type KID Cylinder (Internal)	\$61.56	\$61.56	N/A
3	PCY-KIK-RSPR	Retainer Pin Spring for KIK Cylinders	\$0.56	\$0.56	N/A
4	PCY-KIK-RPIN	Retainer Pin for KIK Cylinders	\$2.78	\$2.78	N/A
5	PCY-CT-KIDKW	Tailpiece for Kwikset® Titan® Single DB Type KID Cylinder	\$6.00	\$6.00	N/A
6	PCY-KIK-NUT	Plug Retainer Nut for Standard KIK Cylinders	\$2.67	\$2.67	N/A
7	PCY-CVR-MOR-5	Body Spring Cover for Mortise/Rim Cylinders/Hercular® (5 Chamber)	\$1.89	\$1.89	N/A
8	PCY-SPR-BOD-STD	Body Spring Stainless Steel for Standard Product (Bag of 100)	\$35.44	\$29.89	N/A
9	PCY-PIN-PLG-__	Plug Pins-External / Internal (As Needed, See Pin Section)	\$85.00	\$75.00	N/A
10	N/A	Ball Bearing Anti-Drill (Not Sold Separately)	N/A	N/A	N/A



Cylinder-Parts-KID

Parts for KIDSH and KIDSH4 Cylinders

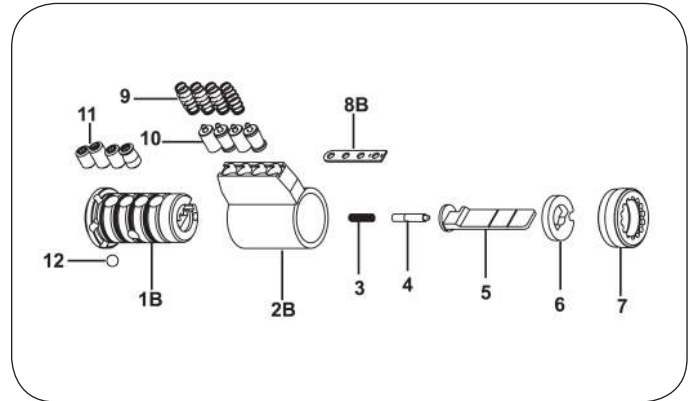
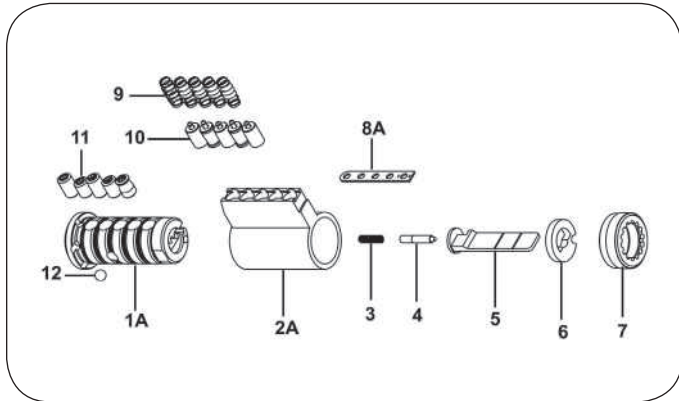
Part #	Description	MT5®+	Interactive®+ Classic	Integrator®	
1A	KWPG-KIKSH-XX	Cyl. Plug for Schlage® Type KIK (Specify Keyway and Finish)	\$68.33	\$59.44	\$58.89
1B	KWPG-KIKSH4-XX	Cyl. Plug for Schlage® Type KIK (4 Chamber) (Specify Keyway and Finish)	\$68.33	\$59.44	\$58.89
2A	XXX-KIKSH-XX	Cyl. Body for Schlage® Type KIK	\$61.56	\$61.56	\$61.56
2B	XXX-KIKSH4-XX	Cyl. Body for Schlage® Type KIK (4 Chamber)	\$61.56	\$61.56	\$61.56
3	PCY-KIK-RSPR	Retainer Pin Spring for KIK Cylinders	\$0.56	\$0.56	\$0.56
4	PCY-KIK-RPIN	Retainer Pin for KIK Cylinders	\$2.78	\$2.78	\$2.78
5	PCY-CT-KIDSH	Tailpiece for Schlage® Type KID Cylinder (Complete with/Locator Disc)	\$6.00	\$6.00	\$6.00
6	PCY-CT-DISCKID	Tailpiece Locator Disc for KIK Cylinders (Lazy Motion)	\$3.33	\$3.33	\$3.33
7	PCY-KIK-NUT	Plug Retainer Nut for Standard KIK Cylinders	\$2.67	\$2.67	\$2.67
8A	PCY-CVR-KIK-5	Body Spring Cover for KIK Cylinders (5 Chamber)	\$1.89	\$1.89	\$1.89
8B	PCY-CVR-KIK-4	Body Spring Cover for KIK Cylinders (4 Chamber)	\$1.89	\$1.89	\$1.89
9	PCY-SPR-BOD-KIK	Body Spring Stainless Steel for KIK/KID, 7/8" Ø Product (Bag of 100)	\$35.44	\$29.89	\$30.00
10	PCY-PIN-BOD-STD	Body Pin nickel Silver for Standard Product (Bag of 100)	\$144.00	\$125.11	\$90.00
11	PCY-PIN-PLG-__	Plug Pins-External / Internal (As Needed, See Pin Section)	\$85.00	\$75.00	N/A
12	N/A	Ball Bearing Anti-Drill (Not Sold Separately)	N/A	N/A	N/A



Cylinder-Parts-KID

Parts for KIDSHD and KIDSHD4 Cylinders

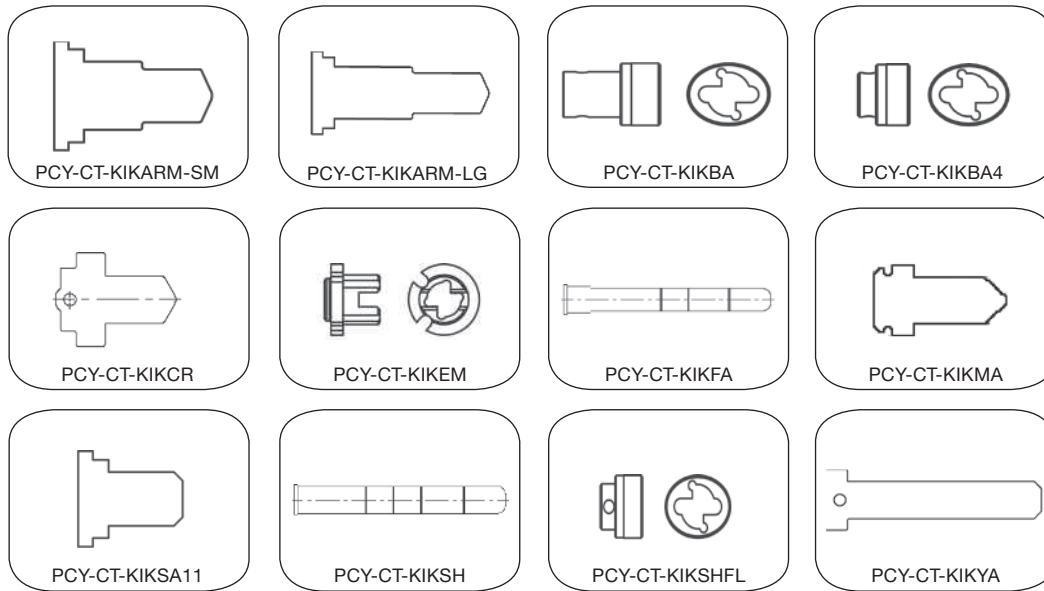
Part #	Description	MT5@+	Interactive@+ Classic	Integrator@
1A	KWPG-KIKSH-XX Cyl. Plug for Schlage® Type KIK (Specify Keyway and Finish)	\$68.33	\$59.44	\$58.89
1B	KWPG-KIKSH4-XX Cyl. Plug for Schlage® Type KIK (4 Chamber) (Specify Keyway and Finish)	\$68.33	\$59.44	N/A
2A	XXX-KIKSH-XX Cyl. Body for Schlage® Type KIK	\$61.56	\$61.56	\$61.56
2B	XXX-KIKSH4-XX Cyl. Body for Schlage® Type KIK (4 Chamber)	\$61.56	\$61.56	N/A
3	PCY-KIK-RSPR Retainer Pin Spring for KIK Cylinders	\$0.56	\$0.56	\$0.56
4	PCY-KIK-RPIN Retainer Pin for KIK Cylinders	\$2.78	\$2.78	\$2.78
5	PCY-CT-KIDSHD Tailpiece for Schlage® Double DB KID (Complete with/Locator Disc)	\$6.00	\$6.00	\$6.00
6	PCY-CT-DISCKID Tailpiece Locator Disc for KIK Cylinders (Lazy Motion)	\$3.33	\$3.33	\$3.33
7	PCY-KIK-NUT Plug Retainer Nut for Standard KIK Cylinders	\$2.67	\$2.67	\$2.67
8A	PCY-CVR-KIK-5 Body Spring Cover for KIK Cylinders (5 Chamber)	\$1.89	\$1.89	\$1.89
8B	PCY-CVR-KIK-4 Body Spring Cover for KIK Cylinders (4 Chamber)	\$1.89	\$1.89	\$1.89
9	PCY-SPR-BOD-KIK Body Spring Stainless Steel for KIK/KID, 7/8" Ø Product (Bag of 100)	\$35.44	\$29.89	\$30.00
10	PCY-PIN-BOD-STD Body Pin nickel Silver for Standard Product (Bag of 100)	\$144.00	\$125.11	\$90.00
11	PCY-PIN-PLG-_ Plug Pins-External / Internal (As Needed, See Pin Section)	\$85.00	\$75.00	N/A
12	N/A Ball Bearing Anti-Drill (Not Sold Separately)	N/A	N/A	N/A



Cylinder-Parts-KIK

KIK Cylinder Tailpieces

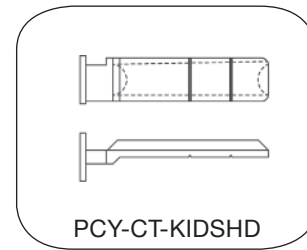
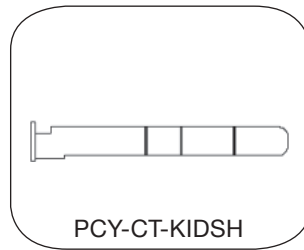
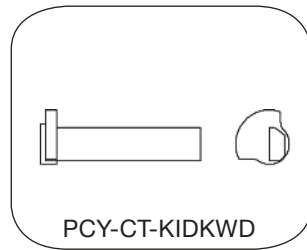
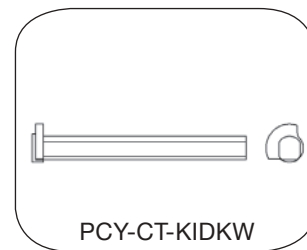
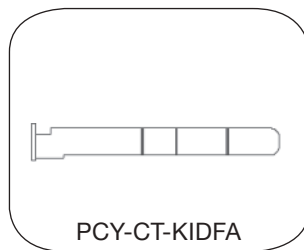
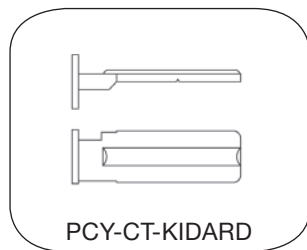
Part #	Description	MT5@+	Interactive@+	
			Classic	Integrator@
PCY-CT-KIKARM-SM	Tailpiece for Arrow® "M" Series Knob/Sargent® "6" Line Knob KIK (Short)	\$5.40	\$5.40	\$5.40
PCY-CT-KIKARM-LG	Tailpiece for Arrow® "M" Series Knob/Sargent® "7 & 10" Line Lever KIK (Long)	\$5.40	\$5.40	\$5.40
PCY-CT-KIKBA	Tailpiece for Baldwin® KIK Long	\$5.40	\$5.40	\$5.40
PCY-CT-KIKBA4	Tailpiece for Baldwin® KIK Short (4 Chamber)	\$5.40	\$5.40	\$5.40
PCY-CT-KIKCR	Tailpiece for Corbin® KIK	\$5.40	\$5.40	\$5.40
PCY-CT-KIKEM	Tailpiece for Emtek® KIK Cylinder	\$5.40	\$5.40	\$5.40
PCY-CT-KIKFA	Tailpiece for Falcon® KIK (Complete with/Locator Disc)	\$5.40	\$5.40	\$5.40
PCY-CT-KIKMA	Tailpiece for Alarm Lock® Trilogy® / Marks® Lever KIK (Except Classroom)	\$5.40	\$5.40	\$5.40
PCY-CT-KIKSA11	Tailpiece for Sargent® "11" Line T-Zone	\$5.40	\$5.40	\$5.40
PCY-CT-KIKSH	Tailpiece for Schlage® KIK (Complete with/Locator Disc)	\$5.40	\$5.40	\$5.40
PCY-CT-KIKSHF	Tailpiece for Schlage® "F" Line Knob-Orbit Design KIK Cylinder	\$5.40	\$5.40	\$5.40
PCY-CT-KIKSHF4	Tailpiece for Schlage® "F" Line Knob-Plymouth Design KIK (4 Chamber)	\$5.40	\$5.40	\$5.40
PCY-CT-KIKSHFL	Tailpiece for Schlage® "F" Line Lever KIK Cylinder	\$5.40	\$5.40	\$5.40
PCY-CT-KIKYA	Tailpiece for Yale® Lever Lever KIK	\$5.40	\$5.40	\$5.40



Cylinder-Parts-KIK/KID

KID Cylinder Tailpieces

Part #	Description	MT5®+	Interactive®+	
			Classic	Integrator®
PCY-CT-KIDARD	Tailpiece for Arrow® / Cronus Double DB KID (Complete with/Locator Disc)	\$5.40	\$5.40	\$5.40
PCY-CT-KIDFA	Tailpiece for Falcon®/Weiser® Single DB KID (Complete with/Locator Disc)	\$5.40	\$5.40	\$5.40
PCY-CT-KIDKW	Tailpiece for Kwikset® Titan® Single DB KID Cylinder	\$5.40	\$5.40	\$5.40
PCY-CT-KIDKWD	Tailpiece for Kwikset® Titan® Double DB KID Cylinder	\$5.40	\$5.40	\$5.40
PCY-CT-KIDSH	Tailpiece for Schlage® Single DB KID (Complete with/Locator Disc)	\$5.40	\$5.40	\$5.40
PCY-CT-KIDSHD	Tailpiece for Schlage® Double DB KID (Complete with/Locator Disc)	\$5.40	\$5.40	\$5.40



Parts for KIK/KID Cylinders

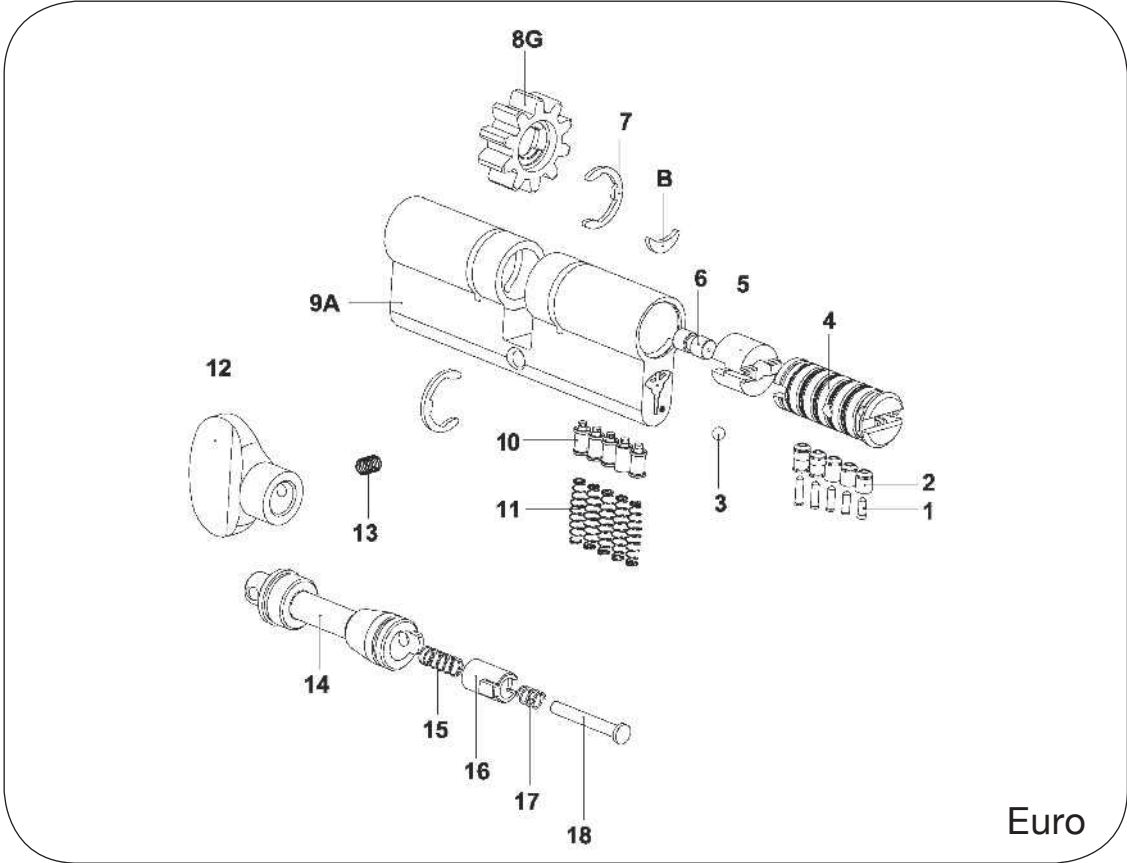
Part #	Description	MT5®+	Interactive®+	
			Classic	Integrator®
PCY-KIK-SPACE1	Tip Stop Disc for KIK Cylinders 7.2X1mm	\$1.89	\$1.89	\$1.89
PCY-KIK-SPACE2	Tip Stop Disc for KIK Cylinders 7.2X1.6mm	\$1.89	\$1.89	\$1.89

Cylinder Parts-Foreign

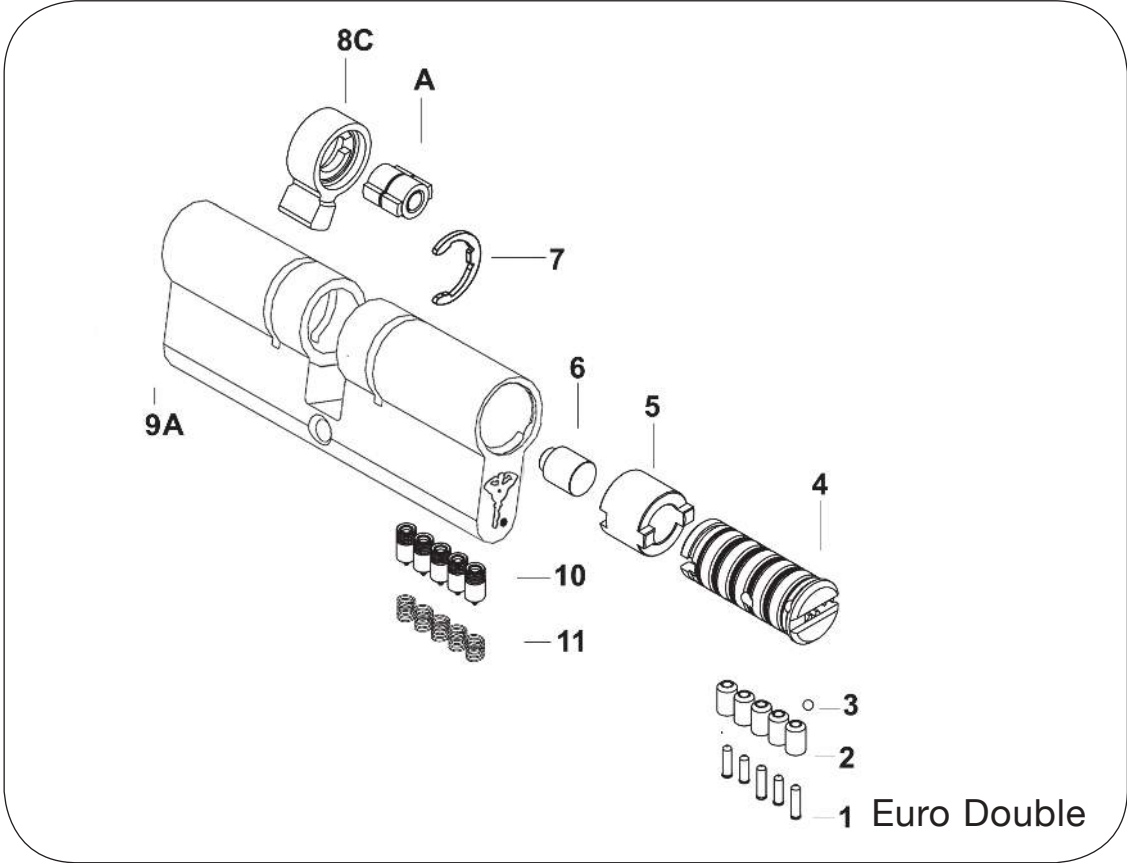
Parts for Euro/Oval Profile Cylinders

Part #	Description	MT5®+	Interactive®+		
			Classic	Integrator®	
1	PCY-PIN-PLG-__	Plug Pins-Internal (As Needed, See Pin Section)	\$85.00	\$75.00	\$58.06
2	PCY-PIN-PLG-__	Plug Pins-External (As Needed, See Pin Section)	\$85.00	\$75.00	N/A
3	N/A	Ball Bearing Anti-Drill (Not Sold Separately)	N/A	N/A	N/A
4	KWPG-E__-XX	Cyl. Plug for Euro (specify Keyway, Size, Finish) (Price Varies Depending on Size)	Call for Price	Call for Price	Call for Price
5	PCY-EUR-PLGEXT	Plug Extension for Euro Profile Cylinder	\$5.89	\$5.30	\$5.30
6	PCY-EUR-PLGSPA	Plug Spacer for Euro Profile Cylinder	\$5.89	\$5.30	\$5.30
7	PCY-ECLIP-1	E-Clip for Plug for Cylinders 15.5	\$2.67	\$2.40	\$2.40
8G	PCY-CT-EURGEAR__	Gear for Euro Profile Cylinder (As Needed, See Profile Cylinder Parts)	\$6.56	\$5.90	\$5.90
	PCY-CT-EURCAM__	Cam for Euro Profile Cylinder (As Needed, See Profile Cylinder Parts) (not pictured)	\$6.56	\$5.90	\$5.90
9A	XXX-E__/_-XX	Cyl. Body for Euro (Specify Size, Finish) (Price Varies Depending on Size)	Call for Price	Call for Price	Call for Price
9B	XXX-O__/_-XX	Cyl. Body for Oval (Specify Size, Finish) (Price Varies Depending on Size)	Call for Price	Call for Price	Call for Price
10	PCY-PIN-BOD-STD	Body Pin nickel Silver for Standard Product (Bag of 100)	\$144.00	\$125.11	\$90.00
11	PCY-SPR-BOD-STD	Body Spring Stainless Steel for Standard Product (Bag of 100)	\$35.44	\$29.89	\$30.00
12	PCY-EUR-TT-___-XX	Thumb Turn for Euro As Needed - See Euro TT Options (Specify Finish)	\$32.67	\$32.67	\$32.67
13	PCY-SCR-EUR-TT	Screw for Euro Profile Cylinder Thumb Turn	\$1.11	\$1.11	\$1.11
14	PCY-EUR-PLG-TT	Cylinder Plug for Thumb Turn of Euro Profile Cylinder (Specify Size)	\$15.33	\$15.33	\$15.33
15	PCY-SPR-EUR-TT-LG	Activator Spring for Euro Profile Cylinder (Large)	\$0.56	\$0.56	\$0.56
16	PCY-EUR-ACT-TT	Activator for Thumb Turn of Euro Profile Cylinder	\$3.33	\$3.33	\$3.33
17	PCY-SPR-EUR-TT-SM	Activator Spring for Euro Profile Cylinder (Small)	\$0.56	\$0.56	\$0.56
18	PCY-EUR-TIP	Tip Stop for Euro Profile Cylinder (TT Side)	\$3.33	\$3.33	\$3.33
A	PCY-EUR-COUP	Coupling for Euro Double Cylinder	\$6.78	\$6.78	\$6.78
B	PCY-CL192-ANTI	Anti Drill Crescent for Cam/Switch Lock Ø 3/4	\$3.11	\$3.11	\$3.11

Cylinder Parts-Foreign



Euro

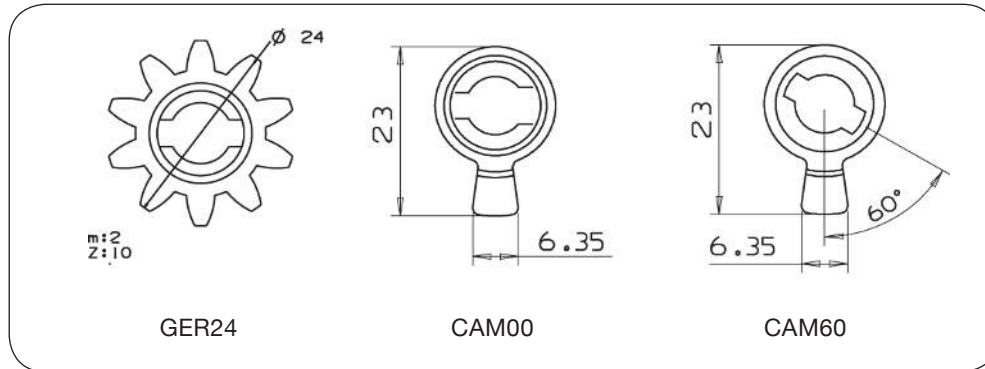


Euro Double

Cylinder Parts-Foreign

Cams and Gears for Euro/Oval Profile Cylinders

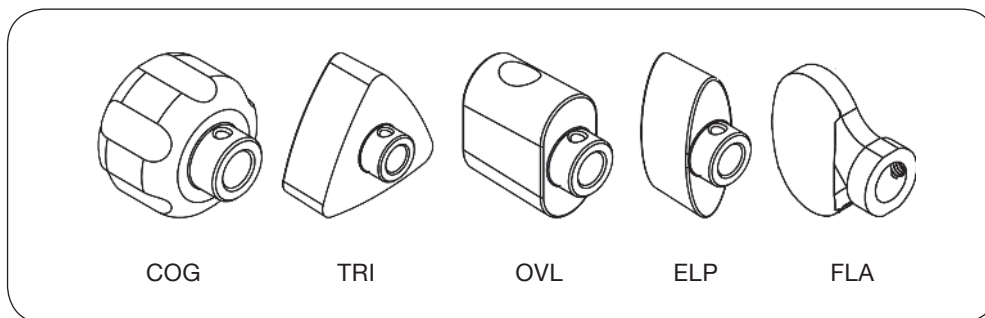
Part #	Description	MT5®+	Interactive®+	Integrator®
			Classic	
PCY-CT-EURGER24	Gear Ø 24mm for Euro Profile Cylinder	\$13.00	\$13.00	\$13.00
PCY-CT-EURCAM00	Standard Cam 0 Degrees for Euro Profile Cylinder	\$6.56	\$6.56	\$6.56
PCY-CT-EURCAM60	Standard Cam 60 Degrees for Euro Profile Cylinder	\$6.56	\$6.56	\$6.56



Thumbturn Pieces for Euro/Oval Profile Cylinders

Part #	Description	MT5®+	Interactive®+	Integrator®
			Classic	
PCY-EUR-TT-COG-XX	Thumb Turn (Cog) for Euro Profile (Specify Finish)	\$32.67	\$32.67	\$32.67
PCY-EUR-TT-TRI-XX	Thumb Turn (Triangle) for Euro Profile (Specify Finish)	\$32.67	\$32.67	\$32.67
PCY-EUR-TT-OVL-XX	Thumb Turn (Oval) for Euro Profile (Specify Finish)	\$32.67	\$32.67	\$32.67
PCY-EUR-TT-ELP-XX	Thumb Turn (Ellipse) for Euro Profile (Specify Finish)	\$32.67	\$32.67	\$32.67
PCY-EUR-TT-FLA-XX	Thumb Turn (Flat) for Euro Profile (Specify Finish)	\$32.67	\$32.67	\$32.67

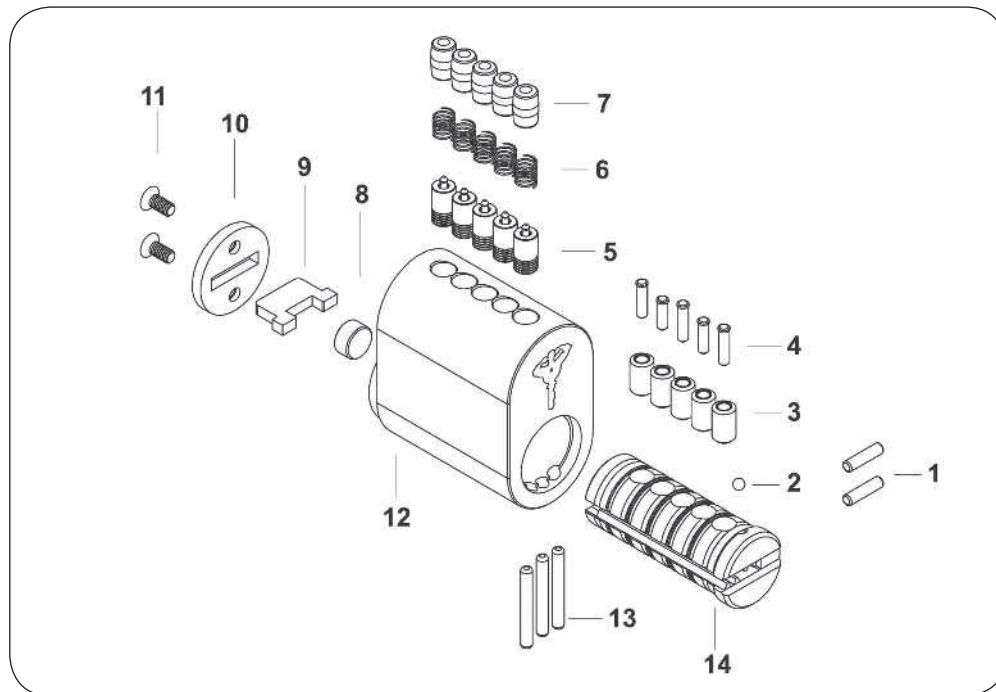
All thumb-turns other than PCY-EUR-TT_FLA in NS and EB finish are special order. Additional cost & minimum order quantity will apply.



Cylinder Parts-Foreign

Parts for Scandinavian Cylinders

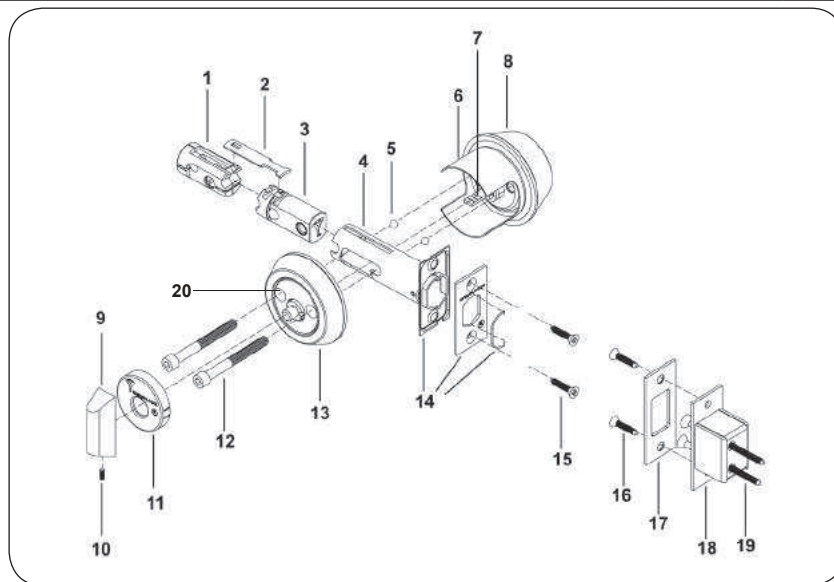
Part #	Description	MT5@+	Interactive@+ Classic	Integrator®
1	N/A	N/A	N/A	N/A
2	N/A	N/A	N/A	N/A
3	PCY-PIN-EXT_	\$91.78	\$79.56	N/A
4	PCY-PIN-INT_	\$91.78	\$79.56	N/A
5	PCY-PIN-BOD-STD	\$144.00	\$125.11	N/A
6	PCY-SPR-BOD-STD	\$35.44	\$29.89	N/A
7	PCY-CVR-EURO-PLG	\$106.78	\$106.78	N/A
8	PCY-MOR-TIP1	\$1.89	\$1.89	N/A
9	PCY-CT-SCAN	\$6.00	\$6.00	N/A
10	PCY-CT-DISCHRC	\$3.33	\$3.33	N/A
11	PCY-SCR-PLUG	\$1.11	\$1.11	N/A
12	XXX-SCAN_XX	\$59.22	\$59.22	N/A
13	N/A	N/A	N/A	N/A
14	KWPG-HD-XX	\$68.33	\$59.44	N/A



Hercular® Deadbolt Parts

Parts for Hercular® Deadbolts (Single and Double)

Part #	Description	MT5®+	Interactive®+																																
			Classic	Integrator®																															
1	PLK-HD-BLT-HUB	Bolt Hub for Hercular® Deadbolt	\$29.00	\$29.00	N/A																														
2	PLK-HD-BLT-ACT	Bolt Actuator for Hercular® Deadbolt	\$6.67	\$6.67	N/A																														
3	PLK-HD-BLT-EXT	Bolt Extension for Hercular® Deadbolt	\$35.89	\$35.89	N/A																														
4	PLK-HD-BLT-SLV	Bolt Sleeve for Hercular® Deadbolt	\$33.44	\$33.44	N/A																														
5	PCY-BB-HRC	Ball Bearing Anti-Drill for Hercular® (6mm)	\$0.89	\$0.89	N/A																														
6	PLK-HD-SHEILD	Protection Shield for Hercular® Deadbolt	\$23.33	\$23.33	N/A																														
7	PCY-CT-HRC	Standard Tailpiece for Hercular® Deadbolt Cylinder (0.70" Length)	\$3.22	\$3.22	N/A																														
8	PLK-HD-ROS-EXT-XX	Security Ring for Hercular® Deadbolt (Cylinder Side)	\$56.22	\$56.22	N/A																														
9	PLK-HD-TT1-REG-XX	Thumb Turn for Hercular® Deadbolt (Specify Finish)	\$30.56	\$30.56	N/A																														
10	PLK-HD-SCR-TT1	Set Screw for Thumb Turn of Hercular® Deadbolt	\$1.11	\$1.11	N/A																														
11	PLK-HD-FACE-XX	Cylinder Face Cover for Hercular® Deadbolt	\$19.78	\$19.78	N/A																														
12	PLK-HD-SCR-SET-1	Set Screw for Single Cylinder Hercular® Deadbolt (Up to 1 3/4" Door)	\$9.00	\$9.00	N/A																														
13	PLK-HD-ROS-INT-XX	Rosette Ring for Deadbolt (Thumb Turn Side)	\$56.22	\$56.22	N/A																														
14	PLK-HD-BLT-FACE-XX	Bolt Face Plate for Hercular® Deadbolt (Specify Finish)	\$10.11	\$10.11	N/A																														
15	PLK-HD-SCR-FAC-XX	Screws for Face Plate for Hercular® Deadbolt (Specify Finish)	\$1.11	\$1.11	N/A </tr <tr> <td>16</td> <td>PLK-HD-SCR-STR-XX</td> <td>Screws for Strike Plate for Hercular® Deadbolt (Specify Finish)</td> <td>\$1.11</td> <td>\$1.11</td> <td>N/A</td> </tr> <tr> <td>17</td> <td>PLK-HD-STR-PLA-XX</td> <td>Strike Plate for Hercular® Deadbolt (Specify Finish)</td> <td>\$11.33</td> <td>\$11.33</td> <td>N/A</td> </tr> <tr> <td>18</td> <td>PLK-HD-STR-BOX</td> <td>Strike Box for Hercular® Deadbolt</td> <td>\$16.89</td> <td>\$16.89</td> <td>N/A</td> </tr> <tr> <td>19</td> <td>PLK-HD-SCR-BOX</td> <td>Screws for Strike Box for Hercular® Deadbolt</td> <td>\$1.11</td> <td>\$1.11</td> <td>N/A</td> </tr> <tr> <td>20</td> <td>XXX-HDINT-WOCVRTT</td> <td>Cyl. Body for Hercular® Single (Inside) with Thumb-Turn Prep</td> <td>\$133.00</td> <td>\$133.00</td> <td>N/A</td> </tr>	16	PLK-HD-SCR-STR-XX	Screws for Strike Plate for Hercular® Deadbolt (Specify Finish)	\$1.11	\$1.11	N/A	17	PLK-HD-STR-PLA-XX	Strike Plate for Hercular® Deadbolt (Specify Finish)	\$11.33	\$11.33	N/A	18	PLK-HD-STR-BOX	Strike Box for Hercular® Deadbolt	\$16.89	\$16.89	N/A	19	PLK-HD-SCR-BOX	Screws for Strike Box for Hercular® Deadbolt	\$1.11	\$1.11	N/A	20	XXX-HDINT-WOCVRTT	Cyl. Body for Hercular® Single (Inside) with Thumb-Turn Prep	\$133.00	\$133.00	N/A
16	PLK-HD-SCR-STR-XX	Screws for Strike Plate for Hercular® Deadbolt (Specify Finish)	\$1.11	\$1.11	N/A																														
17	PLK-HD-STR-PLA-XX	Strike Plate for Hercular® Deadbolt (Specify Finish)	\$11.33	\$11.33	N/A																														
18	PLK-HD-STR-BOX	Strike Box for Hercular® Deadbolt	\$16.89	\$16.89	N/A																														
19	PLK-HD-SCR-BOX	Screws for Strike Box for Hercular® Deadbolt	\$1.11	\$1.11	N/A																														
20	XXX-HDINT-WOCVRTT	Cyl. Body for Hercular® Single (Inside) with Thumb-Turn Prep	\$133.00	\$133.00	N/A																														



Hercular® Deadbolt Parts

Parts for Hercular® Deadbolts (Single and Double) (Not Pictured)

Part #	Description	MT5®+	Interactive®+	
			Classic	Integrator®
KWPG-HD-XX	Cyl. Plug for Hercular® (Specify Keyway, Size, Finish) (Not Pictured)	\$66.11	\$57.50	N/A
PCY-CT-DISCHRC	Tailpiece Locator Disc for HRC/SCAN (Not Pictured)	\$3.22	\$3.22	N/A
PCY-MOR-TIP1	Tip Stop Spacer for Mortise 1 1/4" & HRC Cylinders (Not Pictured)	\$1.89	\$1.89	N/A
PCY-CT-HRCXL	Long Tailpiece for Hercular® Cylinder (1.783" Length)	\$6.00	\$6.00	N/A
PCY-CVR-MOR-5	Body Spring Cover for Mortise/Rim Cylinders(5 Chamber) (Not Pictured)	\$1.89	\$1.89	N/A
PCY-HRC-PLG	Thumb Turn Plug for Hercular® Deadbolt Single Cylinder (Not Pictured)	\$15.00	\$15.00	N/A
PCY-ECLIP-1	E-Clip for Plug for KIK/Euro Cylinders	\$2.67	\$2.67	N/A
PCY-HRC-PLG-SPR	Spring for Thumb Turn Plug for Hercular® Deadbolt Single Cylinder	\$0.89	\$0.89	N/A
PLK-HD-TTSHAFT23.5D	Thumb Turn Shaft for Hercular® Deadbolt Single Cylinder (Not Pictured)	\$13.89	\$13.89	N/A
PCY-SCR-PLUG	Plug Screw Phillips M2.3 x 6 (Not Pictured)	\$1.11	\$1.11	N/A
PLK-SCR-HRC-SET-2	Set Screw for Double & Captive Hercular® (Up to 1 3/4" Door) (Not Pictured)	\$9.00	\$9.00	N/A
PLK-HRCHRW-HD1-XX	Hardware Set for Single Hercular® (Up to 1 3/4" Door) (Specify Finish)	\$34.11	\$34.11	N/A
PLK-HRCHRW-HD2-XX	Hardware Set for Double & Captive Hercular® (Up to 1 3/4" Door) (Specify Finish)	\$34.11	\$34.11	N/A
PLK-HRCBLT-XX	Bolt for Hercular® Deadbolt (Adjustable Backset)	\$101.56	\$101.56	N/A

Hercular® Deadbolt Parts

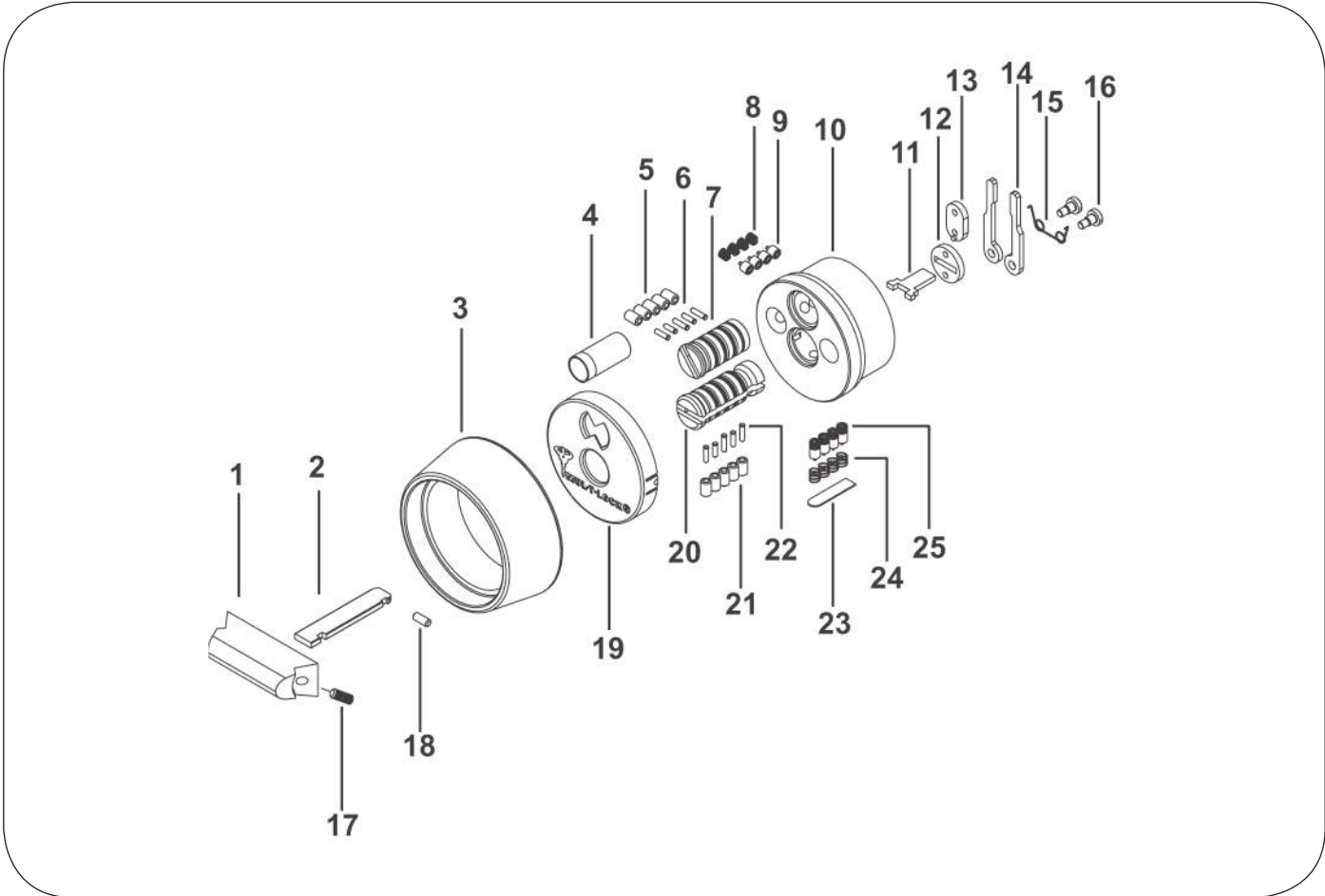
Parts for Hercular® Deadbolts (Captive Key)

Part #	Description	MT5®+	Interactive®+ Classic	Integrator®	
1	PLK-HD-TTC-XX	Thumb Turn for Captive Key Hercular® Deadbolt	\$35.89	\$35.89	N/A
2	KW-KEYHRC-1	Captive Key Blank Blade (Specify Keyway, Interactive®+ Position & Disc)	\$11.39	\$8.00	N/A
3	PLK-HD-ROS-INHDC-XX	Security Ring for Hercular® Deadbolt Captive Key	\$56.22	\$56.22	N/A
4	PLK-HD-PIN-CAPT	Roll Pin for Hercular® Deadbolt Captive Key	\$10.11	\$10.11	N/A
5	PCY-PIN-EXT_	Plug Pins-External (As Needed, See Pin Section)	\$91.78	\$79.56	N/A
6	PCY-PIN-INT_	Plug Pins-Internal (As Needed, See Pin Section)	\$91.78	\$79.56	N/A
7	KWPG-HDC1-XX	Cyl. Plug for Captive Key-Key Release (Specify Keyway, Size, Finish)	\$66.11	\$57.50	N/A
8	PCY-PIN-BOD-3/4	Body Pin nickel Silver for 3/4" Ø Product (Bag of 100)	\$144.00	\$125.11	N/A
9	PCY-SPR-BOD-3/4	Body Spring Stainless Steel for 3/4" Ø Product (Bag of 100)	\$35.44	\$29.89	N/A
10	XXX-HDC-XX	Cylinder Body for Captive Key Hercular® Deadbolt	\$111.22	\$111.22	N/A
11	PCY-CT-HRC	Standard Tailpiece for Hercular® Deadbolt Cylinder (0.70" Length)	\$3.22	\$3.22	N/A
12	PCY-CT-DISCHRC	Tailpiece Locator Disc for HRC/SCAN	\$3.22	\$3.22	N/A
13	PCY-CT-HDC	Cam for Hercular® Deadbolt Captive Key-Key Release	\$3.22	\$3.22	N/A
14	PCY-HD-HDCLEG	Locking Leg for Hercular® Deadbolt Captive Key-Key Release	\$3.22	\$3.22	N/A
15	PCY-HD-HDCLEG-SPR	Spring for Locking Leg for Hercular® Deadbolt Captive Key-Key Release	\$0.56	\$0.56	N/A
16	PCY-HD-SCR-HDC-LEG	Screw for Locking Leg Spring for Hercular® Deadbolt Captive Key-Key Release	\$1.11	\$1.11	N/A
17	PCY-HD-SCR-HDC-TT	Set Screw for Thumb Turn of Hercular® Deadbolt Captive Key	\$1.11	\$1.11	N/A
18	PCY-HD-HDCPIN	Locking Pin for Hercular® Deadbolt Captive Key Release	\$1.22	\$1.22	N/A
19	PLK-HD-FACE-HDC-XX	Cyl. Face Cover for Hercular® Deadbolt Captive Key	\$19.78	\$19.78	N/A
20	KWPG-HDC2-XX	Cyl. Plug for Captive Key (Specify Keyway & Interactive®+ Position)	\$66.11	\$57.50	N/A
21	PCY-PIN-EXT_	Plug Pins-External (As Needed, See Pin Section)	\$91.78	\$79.56	N/A
22	PCY-PIN-INT_	Plug Pins-Internal (As Needed, See Pin Section)	\$91.78	\$79.56	N/A
23	PCY-CVR-MOR-5	Spring Cover for Mortise//Rim Cylinder (5 Chamber)	\$1.89	\$1.89	N/A
24	PCY-PIN-BOD-STD	Body Pin nickel Silver for Standard Product (Bag of 100)	\$144.00	\$125.11	N/A
25	PCY-SPR-BOD-STD	Body Spring Stainless Steel for Standard Product (Bag of 100)	\$35.44	\$29.89	N/A

Parts for Hercular® Deadbolts (Captive Key) (Not Pictured)

Part #	Description	MT5®+	Interactive®+ Classic	Integrator®
PCY-MOR-TIP1	Tip Stop Spacer for Mortise 1 1/4" & HRC Cylinders	\$1.89	\$1.89	N/A
PCY-CT-HRCXL	Long Tailpiece for Hercular® Cylinder (1.783" Length)	\$6.00	\$6.00	N/A
PCY-SCR-PLUG	Plug Screw Phillips M2.3 x 6	\$1.11	\$1.11	N/A
PLK-SCR-HRC-SET-2	Set Screw for Double/Captive Cylinder Hercular® Deadbolt (Up to 1 3/4" Door)	\$9.00	\$9.00	N/A
PLK-HD-HRW-HD2-XX	Hardware Set for Double & Captive (Up to 1 3/4" Door) (Specify Finish)	\$34.11	\$34.11	N/A
PLK-HD-CBLT-XX	Bolt for Hercular® Deadbolt (Adjustable Backset)	\$101.56	\$101.56	N/A

Hercular® Deadbolt Parts



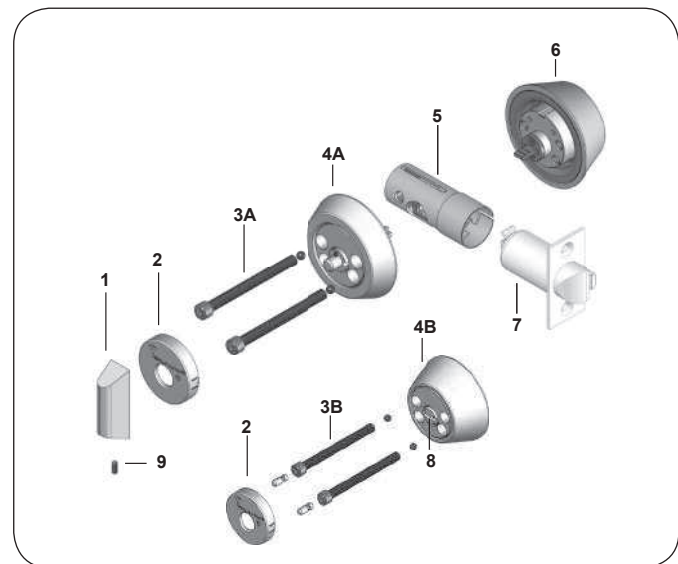
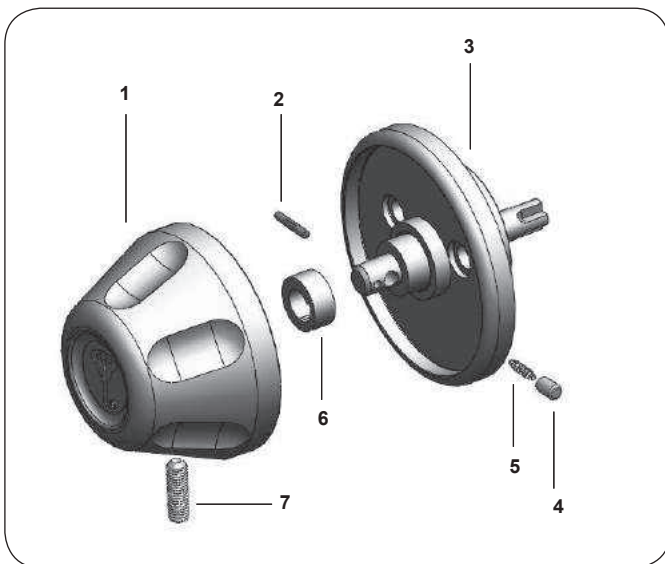
Anti-Ligature Deadbolt & Gate Latch Lock Parts

Anti-Ligature Deadbolt Parts

Part #	Description	MT5®+	Interactive®+ Classic	Integrator®
1 PCY-ALG-TT1-XX	Anti-Ligature Thumb Turn for Hercular® Deadbolt (Specify Finish)	\$38.33	\$38.33	N/A
2 PCY-ALG-FIX-PIN	Fixing Pin for Anti-Ligature Thumb Turn (Not Sold Separately)	N/A	N/A	N/A
3 XXX-ALGINT+CYL-SR1	Cylinder Body for Anti-Ligature (Inside) + Rosette Ring	\$192.78	\$192.78	N/A
4 PLK-ALG-DIR-PIN	Directional Ring Pin for Anti-Ligature Thumb Turn (Not Sold Separately)	N/A	N/A	N/A
5 PLK-ALG-DIR-SPR	Directional Ring Spring for Anti-Ligature Thumb Turn (Not Sold Separately)	N/A	N/A	N/A
6 PLK-ALG-DIR-RING	Directional Ring for Anti-Ligature Deadbolt (LH/RH) (Not Sold Separately)	N/A	N/A	N/A
7 PCY-SCR-ALG-TT	Set Screw for Anti-Ligature Thumb Turn	\$1.44	\$1.44	N/A
PLK-ALGINT-FULL-XX	Complete Anti-Ligature Internal Portion (All Items Shown Here)	\$231.67	\$231.67	N/A

Gate Latch Lock Parts

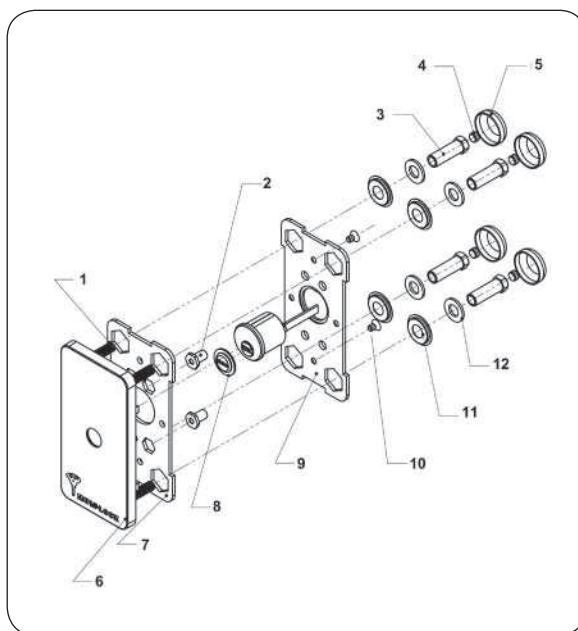
Part #	Description	MT5®+	Interactive®+ Classic	Integrator®
1 PLK-HD-TT1-XX	Thumb Turn for Gate Latch Lock (Specify Finish)	\$30.56	\$30.56	N/A
2 PLK-HD-FACE	Cylinder Face Cover for Gate Latch Lock (Specify Finish)	\$19.78	\$19.78	N/A
3A PLK-HD-SCR-SET-1	Set Screws for Single Cylinder Gate Latch Lock (Up to 1 3/4" Door)	\$9.00	\$9.00	N/A
3B PLK-HD-SCR-SET-2	Set Screws for Double Cylinder Gate Latch Lock (Up to 1 3/4" Door)	\$9.00	\$9.00	N/A
4A XXX-GL1INT-WOCVRTT	Cylinder Body for Gate Latch Lock (Single) (Inside)	\$165.11	\$165.11	N/A
4B XXX-GL2INT-WOCVR	Cylinder Body for Gate Latch Lock (Double) (Inside)	\$165.11	\$165.11	N/A
5 PLK-ADAPT-GLLLAT	Adaptor for Latch for Gate Latch Lock	\$59.78	\$59.78	N/A
6 XXX-GLLEXT-BODY	Cylinder Body for Gate Latch Lock (Outside)	\$165.11	\$165.11	N/A
7 PLK-GLLLAT-XX	Latch for Gate Latch Lock (Specify Backset: 2 3/4" or 2 3/8")	\$59.78	\$59.78	N/A
8 KWPG-HD-XX	Cylinder Plug for Gate Latch Lock (Specify Keyway, Size, Finish)	\$66.11	\$57.50	N/A
9 PCY-SCR-GLL-TT	Set Screw for Thumb Turn for Latch Lock	\$1.11	\$1.11	N/A



Top Guard® Parts

Parts for Top Guards®

Part #	Description	MT5®+	Interactive®+ Classic	Integrator®	
1	PLK-SCR-TOP-SET	Set Screw for Top Guard®	\$9.33	\$9.33	\$9.33
2	PLK-TOP-MOUNTNUT	Hexagonal Nut for Mounting Plate of Top Guard®	\$3.11	\$3.11	\$3.11
3	PLK-TOP-NUTSET	Set Nut for Top Guard®	\$11.78	\$11.78	\$11.78
4	PLK-SCR-TOP-SET-SM	Set Screw Retaining Screw for Top Guard®	\$3.11	\$3.11	\$3.11
5	PLK-TOP-NUTCVR-PL	Decorative Plastic Cover for Mounting Plate Nut for Top Guard®	\$3.33	\$3.33	\$3.33
6	PLK-TOP-CVR-XX	Trim Plate for Top Guard® (Specify Finish)	\$24.67	\$24.67	\$24.67
7	PLK-TOP-PLATE-IN	Mounting Plate Inside for Top Guard®	\$28.44	\$28.44	\$28.44
8	PLK-TOP-DISC	Cylinder Disc for Top Guard®	\$5.22	\$5.22	\$5.22
9	PLK-TOP-PLATE-OUT	Mounting Plate Outside for Top Guard®	\$28.44	\$28.44	\$28.44
10	PLK-SCR-TOP-MOUNT	Screws for Mounting Plate of Top Guard®	\$1.11	\$1.11	\$1.11
11	PLK-TOP-WASH-RES	Washer Recessed for Top Guard®	\$0.56	\$0.56	\$0.56
12	PLK-TOP-WASH	Washer for Top Guard®	\$0.56	\$0.56	\$0.56



Parts for Top Guards® (Not Pictured)

Part #	Description	MT5®+	Interactive®+ Classic	Integrator®
PLK-TOP-HRWR-PL	Hardware Package for Top Guard® (B&W)	\$37.11	\$37.11	\$37.11
PLK-TOP-HRWR-XX	Hardware Package for Top Guard® (Specify Finish)	\$37.11	\$37.11	\$37.11
PLK-TOP-NUTSET-XL	Long Set Screw for Top Guard (1 1/2" Length)	\$24.00	\$24.00	\$24.00

Utility & Furniture Lock Parts

Parts for Cam Locks Ø 3/4" (Key Retaining)

Part #	Description	MT5®+	Interactive®+ Classic	Integrator®
1	XXX-CL192KR_-NS Cyl. Body for Ø 3/4" Key Retaining UL Cam 19 (Specify Length)	N/A	Call for Price	N/A
2	KWPG-CL192KR_-NS Cyl. Plug for Ø 3/4" Key Retaining UL Cam 19 (Specify Length)	N/A	Call for Price	N/A
3	PCY-PIN-PLG-_ Plug Pins-Internal (As Needed, See Pin Section)	N/A	\$75.00	N/A
4	PCY-PIN-BOD-3/4 Body Pin nickel Silver for 3/4" Ø Product (Bag of 100)	N/A	\$125.11	N/A
5	PCY-SPR-BOD-3/4 Body Spring Stainless Steel for 3/4" Ø Product (Bag of 100)	N/A	\$29.89	N/A
6	PCY-SCR-CL-STOP Cam Stopper Screw for Cam Lock Ø 3/4" (Not Sold Separately)	N/A	N/A	N/A
7	PCY-ECLIP-1 E-Clip for Plug for Cylinders 15.5	N/A	\$3.11	N/A
8	PCY-CL19-NUTBOD Cylinder Nut for Cam/Switch Lock Ø 3/4"	N/A	\$5.22	N/A
9	PCY-CL192KR-WASH Washer M7 for Ø 3/4" Key Retaining UL Cam 19 (Not Sold Separately)	N/A	N/A	N/A
10	N/A Ball Bearing Anti-Drill (Not Sold Separately)	N/A	N/A	N/A
11	PCY-CL192-ANTI Anti Drill Crescent for Cam/Switch Lock Ø 3/4"	N/A	\$3.11	N/A
12	PCY-CL192KR-NUT Nut M7x1 for Ø 3/4" Key Retaining UL Cam 19 (Not Sold Separately)	N/A	N/A	N/A
13	PCY-CL19KR-DISC180 Activator Disc for Ø 3/4" Key Retaining (180°) (Not Sold Separately)	N/A	N/A	N/A
14	PCY-CL19KR-DISC90 Activator Disc for Ø 3/4" Key Retaining (90°) (Not Sold Separately)	N/A	N/A	N/A
15	PCY-SR-CL192__ Security Ring for Ø 3/4" Key Retaining UL Cam 19 (Specify Length)	N/A	N/A	N/A
16	PCY-CT-CL192KRF1 Cam for Ø 3/4" Key Retaining UL Cam 19 (Flat)	N/A	\$6.11	N/A
17	PCY-CT-CL192KR01 Cam for Ø 3/4" Key Retaining UL Cam 19 (Offset)	N/A	\$11.11	N/A
18	PCY-CL192KR-CP Counter Plate for Ø 3/4" Key Retaining UL Cam 19	N/A	\$1.44	N/A

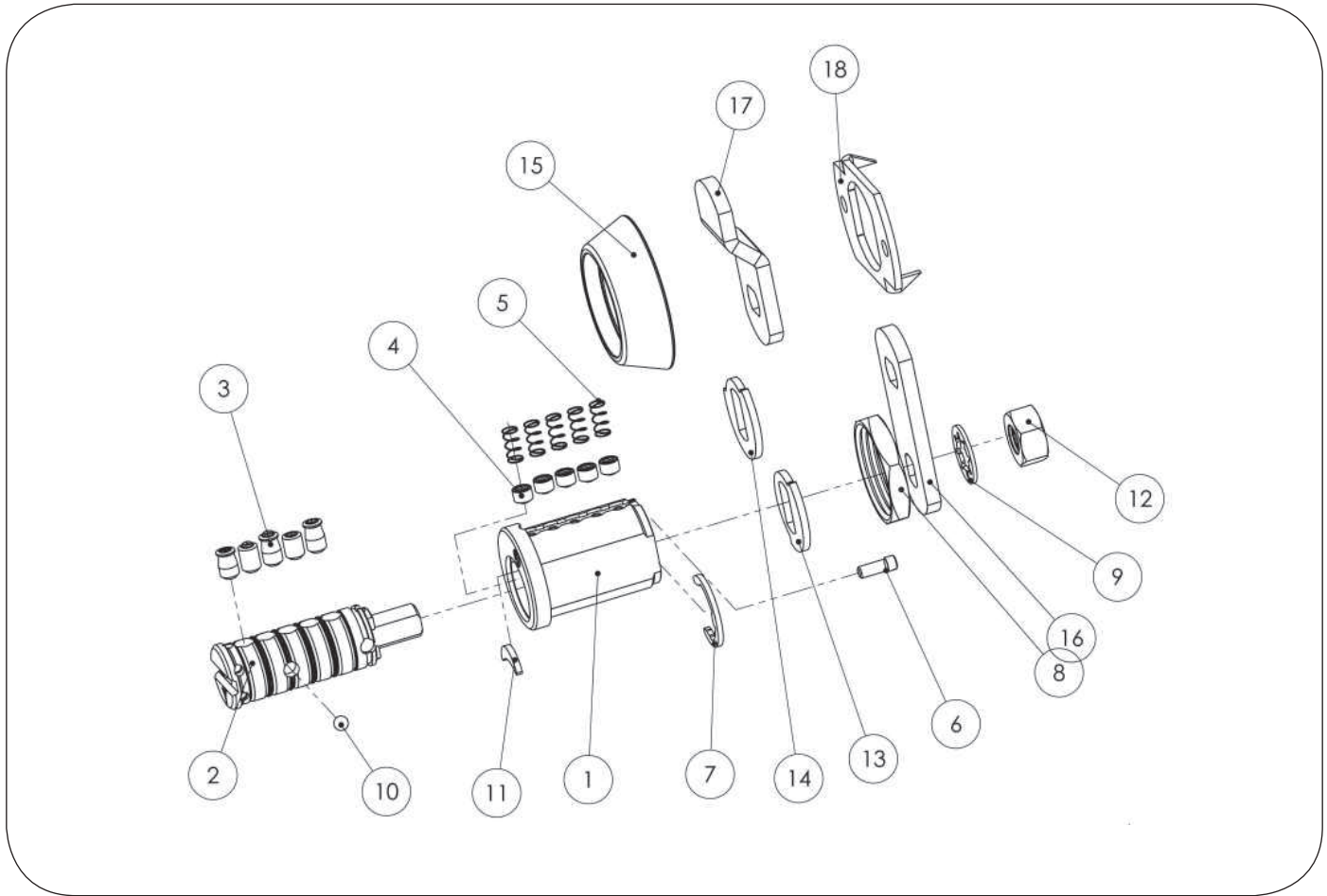
Cams for Cam Locks Ø 3/4" (Key Retaining)

Part #	Description	MT5®+	Interactive®+ Classic	Integrator®
PCY-CT-CL192KRF1	Cam for Ø 3/4" Key Retaining UL Cam 19 (Flat)	N/A	\$6.11	N/A
PCY-CT-CL192KR01	Cam for Ø 3/4" Key Retaining UL Cam 19 (Offset-Inward)	N/A	\$11.11	N/A
PCY-CT-CL192KR02	Cam for Ø 3/4" Key Retaining UL Cam 19 (Offset-Outward)	N/A	\$6.11	N/A

Hardware Sets for Cam Locks

Part #	Description	MT5®+	Interactive®+ Classic	Integrator®
PCY-HRWR-CL192KR	Hardware Set for Ø 3/4" Key Retaining Cam Locks	N/A	\$39.44	N/A

Utility & Furniture Lock Parts



Utility & Furniture Lock Parts

Parts for Cam Locks Ø 3/4" (Non Key Retaining)

Part #	Description	MT5®+	Interactive®+ Classic	Integrator®
1	KWPG-CL19NK_-XX Cyl. Plug for Cam Lock Ø 3/4" Non-Key Retaining (Specify Length)	N/A	Call for Price	N/A
2	N/A Anti Drill Pin (Not Sold Separately)	N/A	N/A	N/A
3	XXX-CL19KR_-26 Cyl. Body for Cam Lock Ø 3/4" (Specify Length)	N/A	Call for Price	N/A
4	PCY-SCR-CL-STOP Cam Stopper Screw for Cam Lock Ø 3/4"/7/8" (Not Sold Separately)	N/A	N/A	N/A
5	PCY-ECLIP-1 E-Clip for Plug for Cylinders 15.5	N/A	\$2.67	N/A
6	PCY-SR-CL1903 Security Ring for Cam/Switch Lock Ø 3/4" (0.315" Length)	N/A	\$5.89	N/A
7	PCY-CL19-NUTBOD Cylinder Nut for Cam/Switch Lock Ø 3/4"	N/A	\$5.89	N/A
8	PCY-CT-CL19NK01 Cam for Cam Lock Ø 3/4" Non Key Retaining-Flat (1.188" Length)	N/A	\$6.11	N/A
9	PCY-CL19KR-DISC180 Activator Disc for Cam Lock Ø 3/4" Key Ret. (180°) (Not Sold Separately)	N/A	N/A	N/A
10	PCY-CLIPR-CLNK Retainer Clip for Non Key Ret. Cam Lock Cams (Not Sold Separately)	N/A	N/A	N/A
11	PCY-CVR-CL-5 Body Spring Cover for Cam/Switch Lock (5 Chamber)	N/A	\$1.89	N/A
12	PCY-SPR-BOD-KIK Body Spring Stainless Steel for KIK/KID, 7/8" Ø Product (Bag of 100)	N/A	\$29.89	N/A
13	PCY-PIN-BOD-3/4 Body Pin nickel Silver for 3/4" Ø Product (Bag of 100)	N/A	\$125.11	N/A
14	PCY-CL19-ANTI Anti Drill Crescent for Cam/Switch Lock Ø 3/4	N/A	\$1.33	N/A
15	N/A Anti Drill Pin (Not Sold Separately)	N/A	N/A	N/A
16	PCY-PIN-PLG-_ Plug Pins-Internal (As Needed, See Pin Section)	N/A	\$75.00	N/A
17	PCY-PIN-PLG-_ Plug Pins-External (As Needed, See Pin Section)	N/A	\$75.00	N/A
18	N/A Ball Bearing Anti-Drill (Not Sold Separately)	N/A	N/A	N/A

Parts for Cam Locks Ø 3/4" (Non Key Retaining) (Not Pictured)

Part #	Description	MT5®+	Interactive®+ Classic	Integrator®
PCY-CVR-CL-4	Body Spring Cover for Cam/Switch Lock (4 Chamber)	N/A	\$1.89	N/A

Cams for Cam Locks Ø 3/4" (Non Key Retaining)

Part #	Description	MT5®+	Interactive®+ Classic	Integrator®
PCY-CT-CL19NKF1	Cam for Cam Lock Ø 3/4" Non Key Retaining-Flat (1.188" Length)	N/A	\$6.11	N/A
PCY-CT-CLNK-HOOKØ	Flat Hook Cam For Cam Lock Cylinder Diameter 19 MM Non Key Retaining only	N/A	\$15.66	N/A

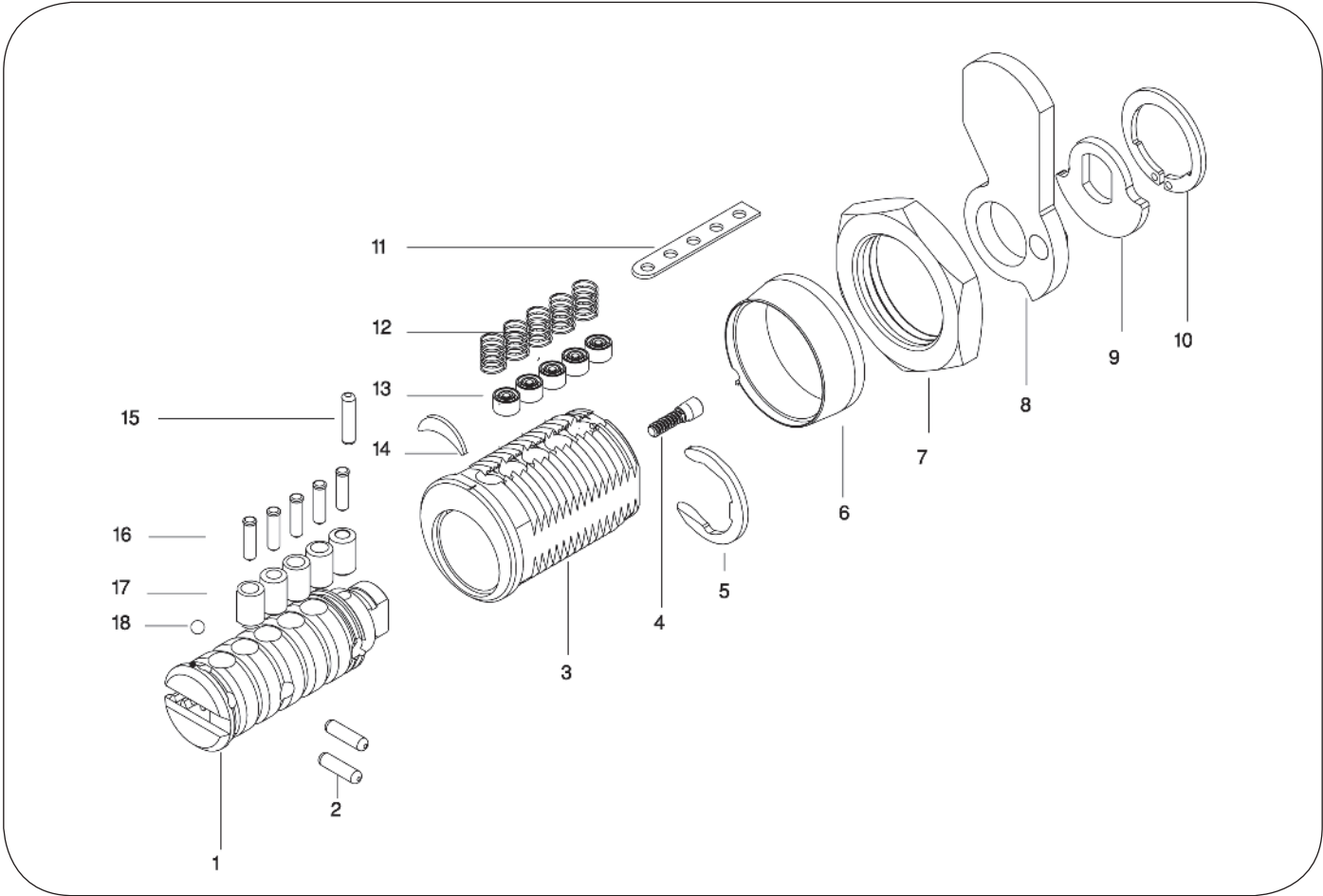
Security Rings for Cam and Switch Locks Ø 3/4"

Part #	Description	MT5®+	Interactive®+ Classic	Integrator®
PCY-SR-CL1901	Security Ring for Cam/Switch Lock Ø 3/4" (.134" Length)	N/A	\$5.22	N/A
PCY-SR-CL1903	Security Ring for Cam/Switch Lock Ø 3/4" (0.315" Length)	N/A	\$5.89	N/A

Hardware Sets for Cam Locks

Part #	Description	MT5®+	Interactive®+ Classic	Integrator®
PCY-HRWR-CL19NK	Hardware Set for Ø 3/4" Non Key Retaining Cam Locks	N/A	\$39.44	N/A

Utility & Furniture Lock Parts



Utility & Furniture Lock Parts

Parts for Cam Locks Ø 7/8" (Key Retaining)

Part #	Description	MT5®+	Interactive®+ Classic	Integrator®	
1	KWPG-CL22KR_-XX	Cyl. Plug for Cam Lock Ø 3/4" Key Retaining (Specify Length)	Call for Price	Call for Price	N/A
2	N/A	Anti Drill Pin (Not Sold Separately)	N/A	N/A	N/A
3	XXX-CL22KR_-26	Cyl. Body for Cam Lock Ø 3/4" (Specify Length)	Call for Price	Call for Price	N/A
4	PCY-CVR-CL-5	Body Spring Cover for Cam/Switch Lock (5 Chamber)	\$1.89	\$1.89	N/A
5	PCY-ECLIP-1	E-Clip for Plug for Cylinders 15.5	\$2.67	\$2.67	N/A
6	PCY-SR-CL2201	Security Ring for Cam/Switch Lock Ø 7/8" (0.134" Length)	\$9.33	\$9.33	N/A
7	PCY-CL22-NUTBOD	Cylinder Nut for Cam/Switch Lock Ø 7/8"	\$5.89	\$5.89	N/A
8	PCY-CT-CL22KR01	Cam for Cam Lock Ø 7/8" Key Retaining-Flat	\$6.11	\$6.11	N/A
9	PCY-SCR-PLUG-CLKR	Plug Screw for Cam Lock Ø 3/4"/7/8" Key Retaining	\$2.11	\$2.11	N/A
10	PCY-CLKR-PGCVR	Plug Cover Cap for Cam Lock Ø 3/4"/7/8" Key Retaining (Not Sold Separately)	N/A	N/A	N/A
11	PCY-SCR-CL-STOP	Cam Stopper Screw for Cam Lock Ø 3/4"/7/8" (Not Sold Separately)	N/A	N/A	N/A
12	PCY-SPR-BOD-3/4	Body Spring Stainless Steel for 3/4" Ø Product (Bag of 100)	\$35.44	\$29.89	N/A
13	PCY-PIN-BOD-3/4	Body Pin nickel Silver for 3/4" Ø Product (Bag of 100)	\$144.00	\$125.11	N/A
14	PCY-CL19-ANTI	Anti Drill Crescent for Cam/Switch Lock Ø 3/4"	\$1.33	\$1.33	N/A
15	N/A	Anti Drill Pin (Not Sold Separately)	N/A	N/A	N/A
16	PCY-PIN-PLG-_	Plug Pins-Internal (As Needed, See Pin Section)	\$85.00	\$75.00	N/A
17	PCY-PIN-PLG-_	Plug Pins-External (As Needed, See Pin Section)	\$85.00	\$75.00	N/A
18	N/A	Ball Bearing Anti-Drill (Not Sold Separately)	N/A	N/A	N/A

Parts for Cam Locks Ø 7/8" (Key Retaining) (Not Pictured)

Part #	Description	MT5®+	Interactive®+ Classic	Integrator®
PCY-CVR-CL-4	Body Spring Cover for Cam/Switch Lock (4 Chamber)	\$1.89	\$1.89	N/A

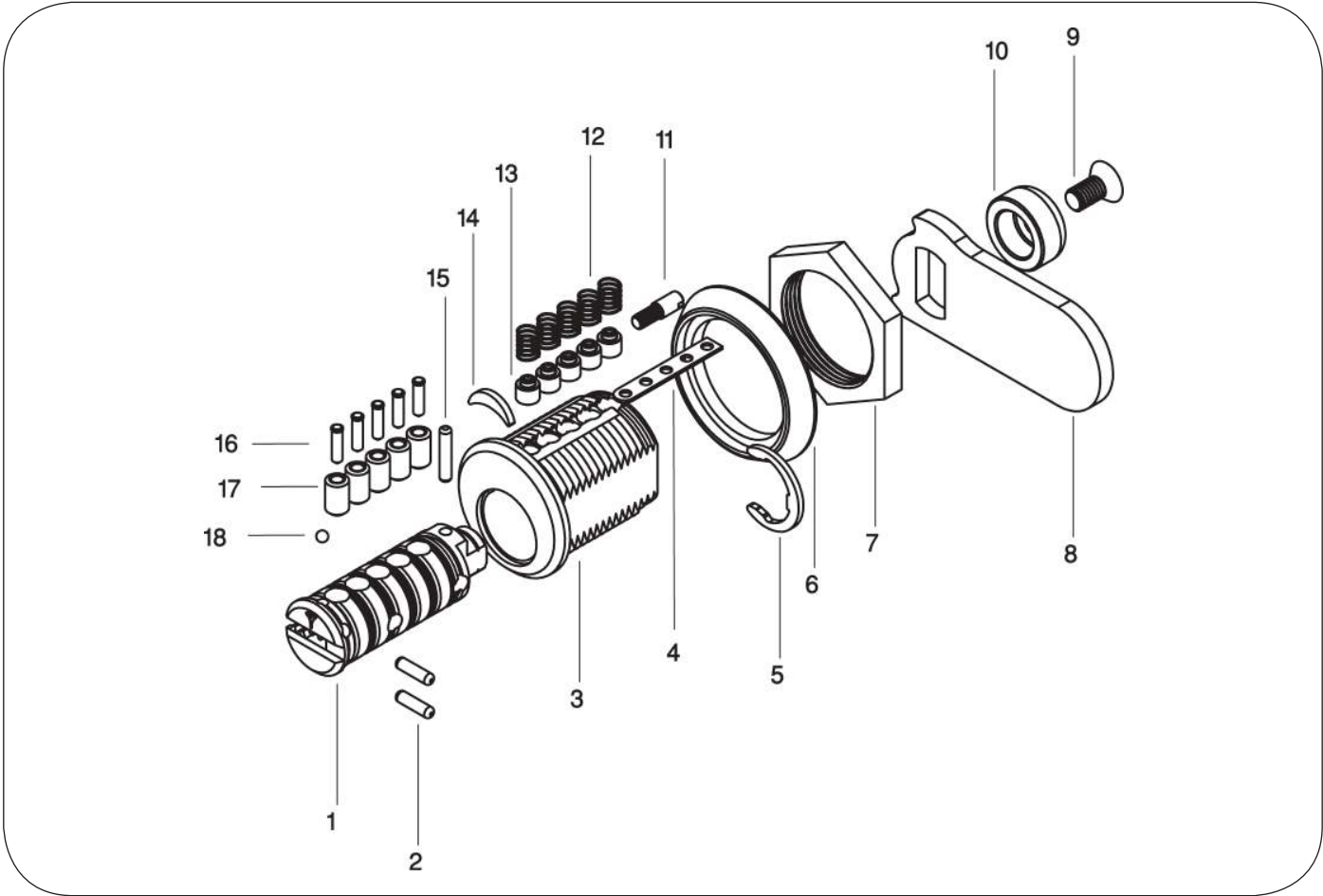
Cams for Cam Locks Ø 7/8" (Key Retaining)

Part #	Description	MT5®+	Interactive®+ Classic	Integrator®
PCY-CT-CL22KRF1	Cam for Cam Lock Ø 7/8" Key Retaining-Flat	\$6.11	\$6.11	N/A
PCY-CT-CL22KR01	Cam for Cam Lock Ø 7/8" Key Retaining-Off Set	\$6.11	\$6.11	N/A

Security Rings for Cam and Switch Locks Ø 7/8"

Part #	Description	MT5®+	Interactive®+ Classic	Integrator®
PCY-SR-CL2201	Security Ring for Cam/Switch Lock Ø 7/8" (0.134" Length)	\$9.33	\$9.33	N/A
PCY-SR-CL2202	Security Ring for Cam/Switch Lock Ø 7/8" (0.315" Length)	\$10.44	\$10.44	N/A

Utility & Furniture Lock Parts



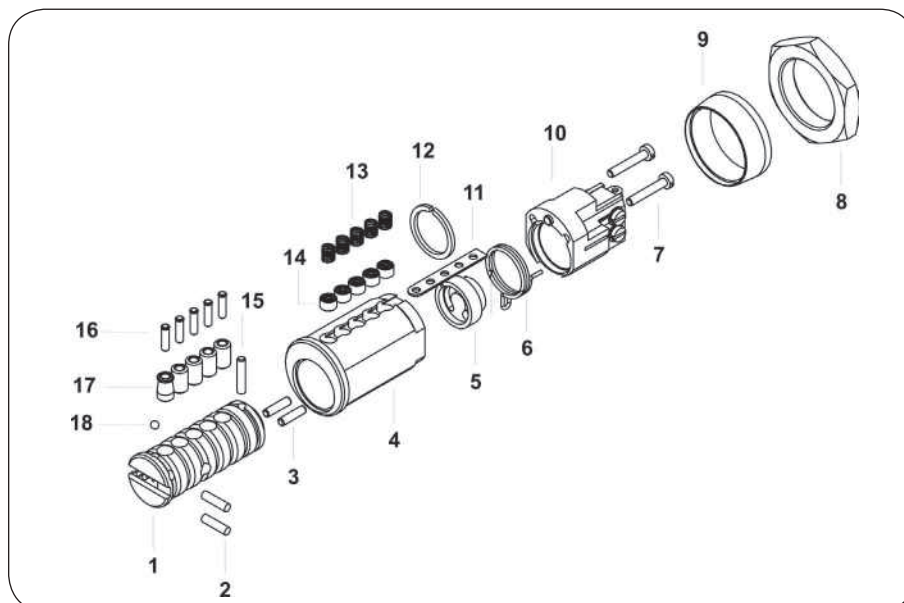
Utility & Furniture Lock Parts

Parts for Switch Locks

Part #	Description	MT5@+	Interactive@+		
			Classic	Integrator®	
1	KWPG-SW-XX	Cylinder Plug for Switch Lock (All)	\$68.33	\$59.44	N/A
2	N/A	Anti Drill Pin (Not Sold Separately)	N/A	N/A	N/A
3	PCY-SW-MSPIN	Micro Switch Pin for Switch Lock	\$2.78	\$2.78	N/A
4	XXX-SW19-NS	Cylinder Body for Switch Lock Ø 3/4"	\$79.56	\$79.56	N/A
5	PCY-SW-MSHUB	Micro Switch Hub for Switch Lock	\$5.22	\$5.22	N/A
6	PCY-SPR-SWMS	Spring for Micro Switch for Switch Lock	\$1.89	\$1.89	N/A
7	PCY-SCR-SW	Screws for Micro Switch for Switch Lock	\$1.44	\$1.44	N/A
8	PCY-CL22-NUTBOD	Cylinder Nut for Cam/Switch Lock Ø 7/8"	\$5.89	\$5.89	N/A
9	PCY-SR-CL2201	Security Ring for Cam/Switch Lock Ø 7/8" (0.134" Length)	\$9.33	\$9.33	N/A
10	PCY-SW-MS	Micro Switch for Switch Lock	\$28.44	\$28.44	N/A
11	PCY-CVR-CL-5	Body Spring Cover for Cam/Switch Lock (5 Chamber)	\$1.89	\$1.89	N/A
12	PCY-SW-RING	Plug Retainer Ring for Switch Lock 3/4" Dia.	\$2.67	\$2.67	N/A
13	PCY-SPR-BOD-3/4	Body Spring Stainless Steel for 3/4" Ø Product (Bag of 100)	\$35.44	\$29.89	N/A
14	PCY-PIN-BOD-3/4	Body Pin nickel Silver for 3/4" Ø Product (Bag of 100)	\$144.00	\$125.11	N/A
15	N/A	Anti Drill Pin (Not Sold Separately)	N/A	N/A	N/A
16	PCY-PIN-PLG-__	Plug Pins-Internal (As Needed, See Pin Section)	\$85.00	\$75.00	N/A
17	PCY-PIN-PLG-__	Plug Pins-External (As Needed, See Pin Section)	\$85.00	\$75.00	N/A
18	N/A	Ball Bearing Anti-Drill (Not Sold Separately)	N/A	N/A	N/A

Parts for Switch Locks (Not Pictured)

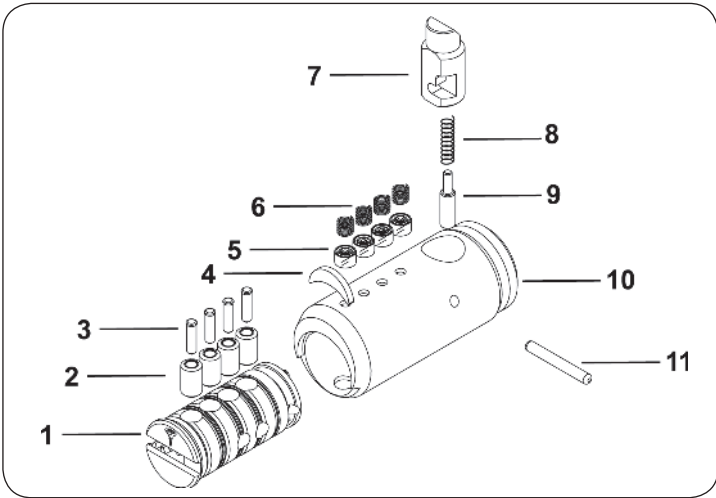
Part #	Description	MT5@+	Interactive@+	
			Classic	Integrator®
XXX-SW22-NS	Cylinder Body for Switch Lock Ø 7/8"	\$84.44	\$84.44	N/A
XXX-SW29-NS	Cylinder Body for Switch Lock Ø 1 1/8"	\$126.56	\$126.56	N/A
PCY-SW-MSCON	Connector Sleeve for Micro Switch for Switch Lock	\$1.89	\$1.89	N/A



Utility & Furniture Lock Parts

Parts for T-Handle Lock Cylinder

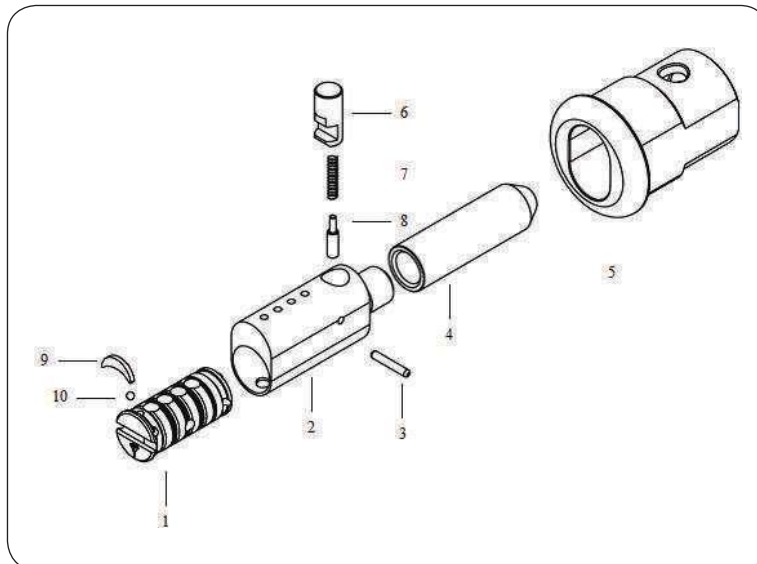
Part #	Description	MT5@+	Interactive@+		
			Classic	Integrator®	
1	KWPG-TLOCK-26	Cylinder Plug for Push/File Cabinet Lock (specify Keyway)	N/A	\$59.44	N/A
2	PCY-PIN-PLG-__	Plug Pins-External (As Needed, See Pin Section)	N/A	\$75.00	N/A
3	PCY-PIN-PLG-__	Plug Pins-Internal (As Needed, See Pin Section)	N/A	\$75.00	N/A
4	PCY-CL19-ANTI	Anti Drill Crescent for Cam/Switch Lock Ø 3/4	N/A	\$1.33	N/A
5	PCY-PIN-BOD-3/4	Body Pin nickel Silver for 3/4" Ø Product (Bag of 100)	N/A	\$125.11	N/A
6	PCY-SPR-BOD-3/4	Body Spring Stainless Steel for 3/4" Ø Product (Bag of 100)	N/A	\$29.89	N/A
7	PCY-TLOCK-BLT	Locking Bolt for T-Handle Lock Cylinder (Not Sold Separately)	N/A	N/A	N/A
8	PCY-FCC-BLT-SPR	Spring for Locking Bolt for FC & T-Lock (Not Sold Separately)	N/A	N/A	N/A
9	PCY-FCC-BLT-ACT	Activator for Locking Bolt for FC & T-Lock (Not Sold Separately)	N/A	N/A	N/A
10	XXX-TLOCK-26	Cylinder Body for T-Handle Lock Cylinder	N/A	\$47.00	N/A
11	PCY-FCC-BLT-PIN	Retainer Pin for Locking Bolt for T-Handle Lock Cylinder (Not Sold Separately)	N/A	N/A	N/A



Utility & Furniture Lock Parts

Parts for Removable Plug Lock

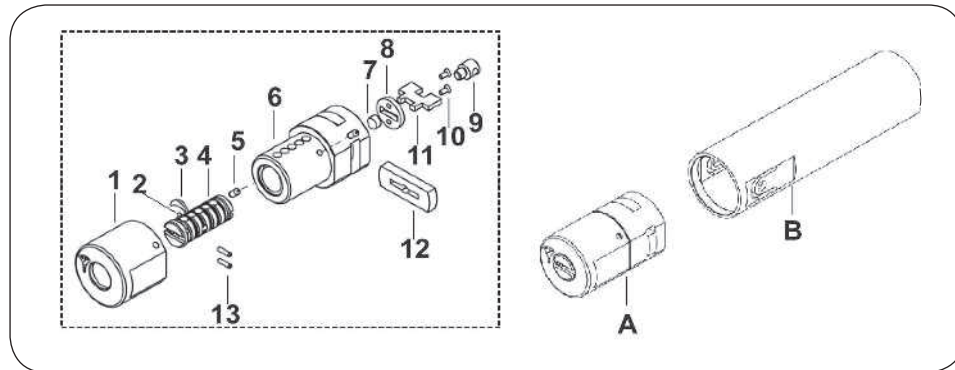
Part #	Description	MT5®+	Interactive®+	
			Classic	Integrator®
1	KWPG-FCC-26 Cylinder Plug for Push/File Cabinet Lock (626 Satin Chrome) (Specify Keyway)	N/A	\$59.44	N/A
2	PCY-BOD-REMPG-26 Cylinder Body for Removable Plug Lock (626 Satin Chrome)	N/A	N/A	N/A
3	PCY-FCC-BLT-PIN Retainer Pin for Locking Bolt for T-Handle Lock Cylinder (Not Sold Separately)	N/A	N/A	N/A
4	PCY-REM-PIN1 Locking Pin for Removable Plug Lock (1.45" Length) (Not Sold Separately)	N/A	N/A	N/A
5	CYL-HS-REMPG1-26 Cylinder Housing for Removable Plug Lock 1.57" (626 Satin Chrome)	N/A	N/A	N/A
6	PCY-FCC-BLT Locking Bolt for File Cabinet/T-Handle Lock Cylinder (Not Sold Separately)	N/A	N/A	N/A
7	PCY-FCC-BLT-SPR Spring for Locking Bolt for FC & T-Lock (Not Sold Separately)	N/A	N/A	N/A
8	PCY-FCC-BLT-ACT Activator for Locking Bolt for FC & T-Lock (Not Sold Separately)	N/A	N/A	N/A
9	PCY-CL19-ANTI Anti-Drill Crescent for Cam/Switch Lock Ø3/4	N/A	\$1.33	N/A
10	N/A Ball Bearing Anti-Drill (Not Sold Separately)	N/A	N/A	N/A



Utility & Furniture Lock Parts

Parts for Key Deposit Lock

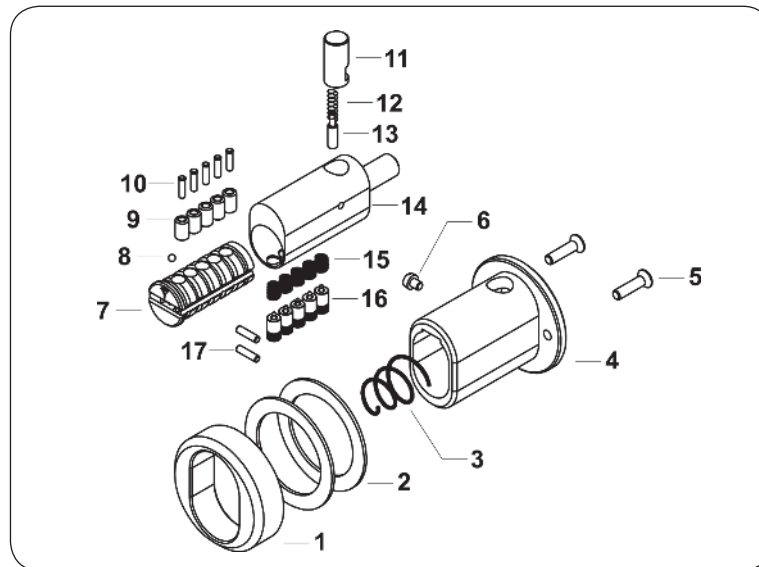
Part #	Description	Interactive®+		
		MT5®+	Classic	Integrator®
A KW-KEYDEP-25	Key Deposit Lock Cylinder (625—Bright Chrome) (Specify Keyway)		\$176.11	N/A
B LCK-KEYDEP-TUBE-1	Tube for Key Deposit Lock—5.23" Length		\$246.33	N/A
1 PCY-FACE-KEYDEP-25	Cylinder Face Cover for Key Deposit Lock (625—Bright Chrome) (Not Sold Separately)		N/A	N/A
2 N/A	Ball Bearing Anti-Drill (Not Sold Separately)		N/A	N/A
3 N/A	Anti-Drill Crescent (Not Sold Separately)		N/A	N/A
4 KWPG-KEYDEP-NS	Cylinder Plug for Key Deposit Lock Cylinder (Nickel Satin) (Specify Keyway)		\$59.44	N/A
5 PCY-KEYDEP-PIN	Cylinder Pin for Key Deposit Lock Cylinder		\$2.78	N/A
6 PCY-BOD-KEYDEP	Cylinder Body for Key Deposit Lock Cylinder (Not Sold Separately)		N/A	N/A
7 PCY-MOR-TIP-1	Tip Stop Spacer for Mortise 1 1/4" & HRC Cylinders		\$1.89	N/A
8 PCY-CT-DISCHRC	Tailpiece Locator Disc for HRC/SCAN		\$3.33	N/A
9 PCY-KEYDEP	Activator for Key Deposit Lock Cylinder		\$2.78	N/A
10 PCY-SCR-PLUG	Plug Screw Phillips M2.3 x 6		\$1.11	N/A
11 PCY-CT-KEYDEP	Tailpiece for Key Deposit Lock Cylinder		\$6.00	N/A
12 PCY-KEYDEP-BLT	Locking Bolt for Key Deposit Lock Cylinder		\$5.89	N/A
13 N/A	Anti-Drill Pin (Not Sold Separately)		N/A	N/A



Utility & Furniture Lock Parts

Parts for Push Lock

Part #	Description	MT5®+	Interactive®+ Classic	Integrator®
1	PCY-SR-PUSH-25 Security Collar for Push Lock (Not Sold Separately)	N/A	N/A	N/A
2	PCY-PUSH-GASK Rubber Mounting Gaskets for Push Lock (Not Sold Separately)	N/A	N/A	N/A
3	PCY-PUSH-CYL-SPR Cylinder Spring for Push Lock (Not Sold Separately)	N/A	N/A	N/A
4	PCY-PUSH-HOUSE-25 Housing for Push Lock (Not Sold Separately)	N/A	N/A	N/A
5	PCY-SCR-PUSH Mounting Screw for Push Lock (Not Sold Separately)	N/A	N/A	N/A
6	PCY-SCR-PUSH-RET Retainer Screw for Push Lock Cylinder	N/A	\$1.11	N/A
7	KWPG-FCC-26 Cylinder Plug for Push/File Cabinet Lock (specify Keyway)	N/A	\$59.44	N/A
8	N/A Ball Bearing Anti-Drill (Not Sold Separately)	N/A	N/A	N/A
9	PCY-PIN-PLG-__ Plug Pins-External (As Needed, See Pin Section)	N/A	\$75.00	N/A
10	PCY-PIN-PLG-__ Plug Pins-Internal (As Needed, See Pin Section)	N/A	\$75.00	N/A
11	PCY-FCC-BLT Locking Bolt for File Cabinet/T-Handle Lock Cylinder (Not Sold Separately)	N/A	N/A	N/A
12	PCY-FCC-BLT-SPR Spring for Locking Bolt for FC & T-Lock (Not Sold Separately)	N/A	N/A	N/A
13	PCY-FCC-BLT-ACT Activator for Locking Bolt for FC & T-Lock (Not Sold Separately)	N/A	N/A	N/A
14	XXX-PUSH-26 Cylinder Body for Push Lock	N/A	\$61.56	N/A
15	PCY-PIN-BOD-7/8 Body Pin nickel Silver for 3/4" Ø Product (Bag of 100)	N/A	\$125.11	N/A
16	PCY-SPR-BOD-KIK Body Spring Stainless Steel for KIK/KID, 7/8" Ø Product (Bag of 100)	N/A	\$29.89	N/A
17	N/A Anti Drill Pin (Not Sold Separately)	N/A	N/A	N/A



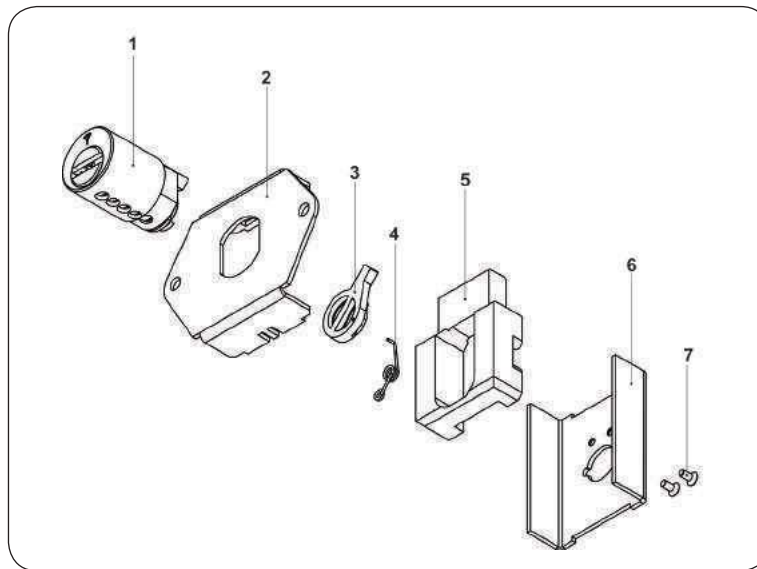
Utility & Furniture Lock Parts

Parts for Drawer Bolt Lock

Part #	Description	MT5®+	Interactive®+ Classic	Integrator®
1 N/A	Cylinder for Drawer Bolt Lock (Not Sold Separately)	N/A	N/A	N/A
2 PCY-DLL-FRONT	Front Plate for Drawer Latch Lock (Not Sold Separately)	N/A	N/A	N/A
3 PCY-DBL-ACT	Activator for Bolt for Drawer Bolt Lock (Not Sold Separately)	N/A	N/A	N/A
4 PCY-DBL-BLT-SPR	Spring for Bolt Mechanism for Drawer Bolt Lock (Not Sold Separately)	N/A	N/A	N/A
5 PCY-DBL-BLT	Bolt Mechanism for Drawer Bolt Lock (Not Sold Separately)	N/A	N/A	N/A
6 PCY-DLL-BACK	Back Plate for Drawer Latch/Bolt Lock (Not Sold Separately)	N/A	N/A	N/A
7 PCY-SCR-DLL-BACK	Assembly Screws for Drawer Latch/Bolt Lock (Not Sold Separately)	N/A	N/A	N/A

Parts for Drawer Bolt Lock (Not Pictured)

Part #	Description	MT5®+	Interactive®+ Classic	Integrator®
KWPG-DBL1-26	Cylinder Plug for Drawer Bolt Lock (Specify Keyway) (Not Pictured)	N/A	\$59.44	N/A
XXX-DBL-26	Cylinder Body for Drawer Bolt Lock (Not Pictured)	N/A	\$61.56	N/A
PCY-SR-DLL	Security Ring for Drawer Latch/Bolt Lock (Not Pictured)	N/A	\$7.22	N/A



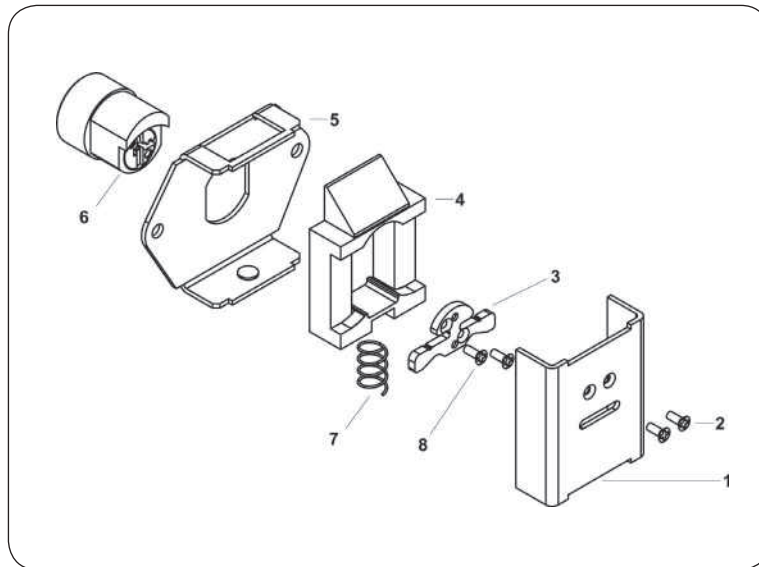
Utility & Furniture Lock Parts

Parts for Drawer Latch Lock

Part #	Description	MT5®+	Interactive®+ Classic	Integrator®
1 PCY-DLL-BACK	Back Plate for Drawer Latch/Bolt Lock (Not Sold Separately)	N/A	N/A	N/A
2 PCY-SCR-DLL-BACK	Assembly Screws for Drawer Latch/Bolt Lock (Not Sold Separately)	N/A	N/A	N/A
3 PCY-CT-DLL	Cam for Drawer Latch Lock (Not Sold Separately)	N/A	N/A	N/A
4 PCY-DLL-LAT	Bolt Mechanism for Drawer Latch Lock (Not Sold Separately)	N/A	N/A	N/A
5 PCY-DLL-FRONT	Front Plate for Drawer Latch/Bolt Lock (Not Sold Separately)	N/A	N/A	N/A
6 N/A	Cylinder for Drawer Latch Lock (Not Sold Separately)	N/A	N/A	N/A
7 PCY-DLL-LAT-SPR	Spring for Latch Mechanism for Drawer Latch Lock (Not Sold Separately)	N/A	N/A	N/A
8 PCY-SCR-PLUG	Plug Screw Phillips M2.3 x 6	N/A	\$1.11	N/A

Parts for Drawer Latch Lock (Not Pictured)

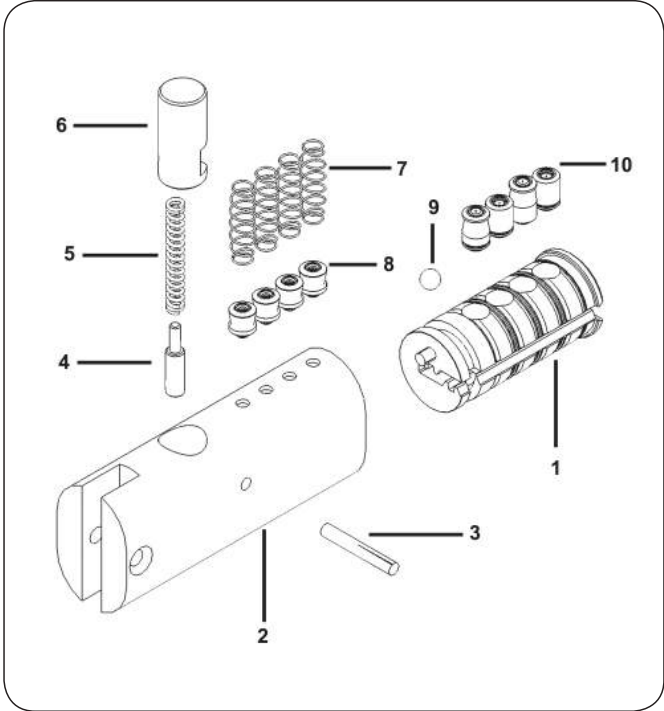
Part #	Description	MT5®+	Interactive®+ Classic	Integrator®
KWPG-DLL_-26	Cylinder Plug for Drawer Latch Lock (Specify Keyway & Size) (Not Pictured)	N/A	\$59.44	N/A
XXX-DLL_-26	Cylinder Body for Drawer Latch Lock (Specify Size) (Not Pictured)	N/A	\$61.56	N/A
PCY-SR-DLL	Security Ring for Drawer Latch/Bolt Lock (Not Pictured)	N/A	\$5.89	N/A



Utility & Furniture Lock Parts

Parts for File Cabinet Cylinder

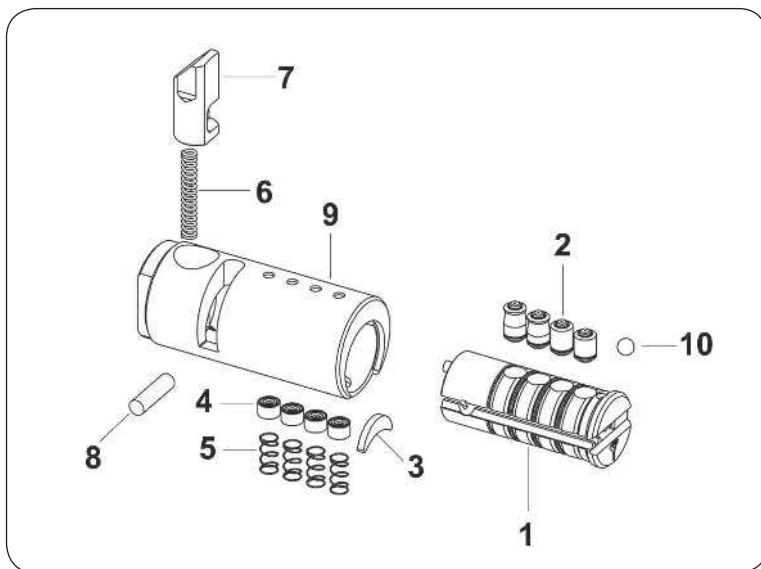
Part #	Description	MT5®+	Interactive®+ Classic	Integrator®
1	KWPG-FCC-EB Cylinder Plug for File Cabinet Cylinder	N/A	\$59.44	N/A
2	XXX-FCC-EB Cylinder Body for File Cabinet Cylinder	N/A	\$61.56	N/A
3	PCY-FCC-BLT-PIN Retainer Pin for Locking Bolt for T-Handle Lock Cylinder (Not Sold Separately)	N/A	N/A	N/A
4	PCY-FCC-BLTACT-PIN Pin for Locking Bolt for FC & T-Lock (Not Sold Separately)	N/A	N/A	N/A
5	PCY-FCC-BLT-SPR Spring for Locking Bolt for FC & T-Lock (Not Sold Separately)	N/A	N/A	N/A
6	PCY-FCC-BLT-ACT Activator for Locking Bolt for FC & T-Lock (Not Sold Separately)	N/A	N/A	N/A
7	PCY-SPR-BOD-KIK Body Spring Stainless Steel for KIK/KID, 7/8" Ø Product (Bag of 100)	N/A	\$29.89	N/A
8	PCY-PIN-BOD-7/8 Body Pin nickel Silver for 3/4" Ø Product (Bag of 100)	N/A	\$125.11	N/A
9	N/A Ball Bearing Anti-Drill (Not Sold Separately)	N/A	N/A	N/A
10	PCY-PIN-PLG-_ Plug Pins-External / Internal (As Needed, See Pin Section)	N/A	\$75.00	N/A



Utility & Furniture Lock Parts

Parts for FireKing® File Cabinet Cylinder

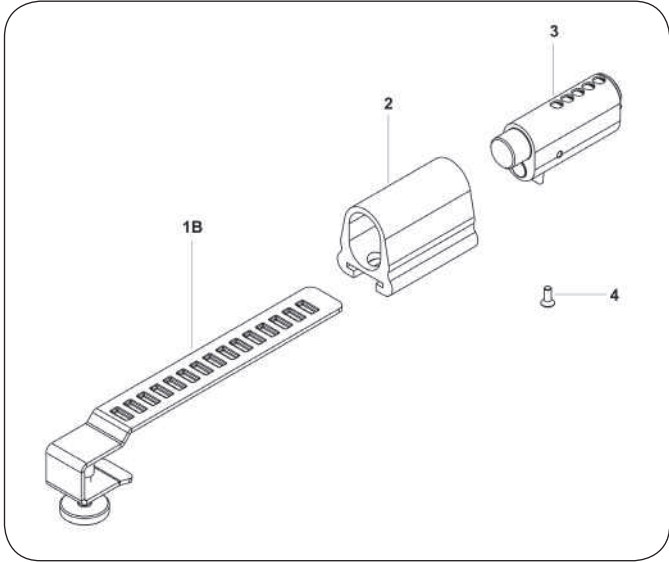
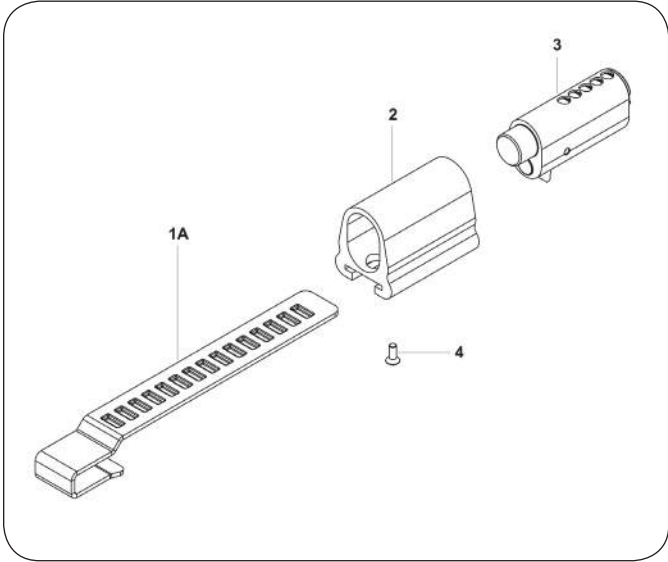
Part #	Description	Interactive®+		
		MT5®+	Classic	Integrator®
1	KWPG-FKC-26		\$59.44	N/A
2	PCY-PIN-PLG-_ Plug Pins - External / Internal (As needed, See Pin Section)		\$75.00	N/A
3	PCY-CL19-ANTI		\$1.33	N/A
4	PCY-PIN-BOD-3/4		\$125.11	N/A
5	PCY-SPR-BOD-3/4		\$29.89	N/A
6	PCY-FCC-BLT-SPR		N/A	N/A
7	PCY-FKC-BLT		\$5.89	N/A
8	PCY-FCC-BLT-PIN		N/A	N/A
9	XXX-FKC-26		\$122.00	N/A
10	N/A		N/A	N/A
	PLK-FKC-PLASTIC-EN		\$32.08	N/A
	PLK-FKC-PIN-STUD		\$32.08	N/A



Utility & Furniture Lock Parts

Parts for Sliding Door Showcase Lock

Part #	Description	MT5®+	Interactive®+ Classic	Integrator®	
1A	PLK-SCL1-BAR	Locking Bar for Sliding Door Showcase Lock (SCL1) Without Screw	N/A	\$48.44	N/A
1B	PLK-SCL2-BAR	Locking Bar for Sliding Door Showcase Lock (SCL2) With Screw	N/A	\$48.44	N/A
2	XXX-SCL-XX	Cylinder Body for Sliding Door Showcase Lock Cylinder (Not Sold Separately)	N/A	N/A	N/A
3	KWPG-SCL-XX	Cylinder Plug for Sliding Door Showcase Lock	N/A	\$59.44	N/A
4	PCY-SCL-SCR	Locking Screw for Sliding Door Showcase Lock	N/A	\$1.11	N/A



Padlock Parts

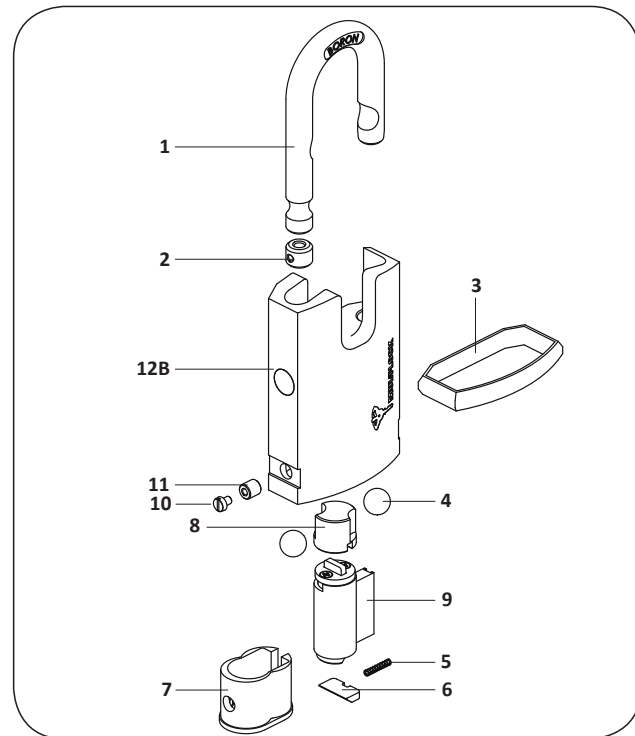
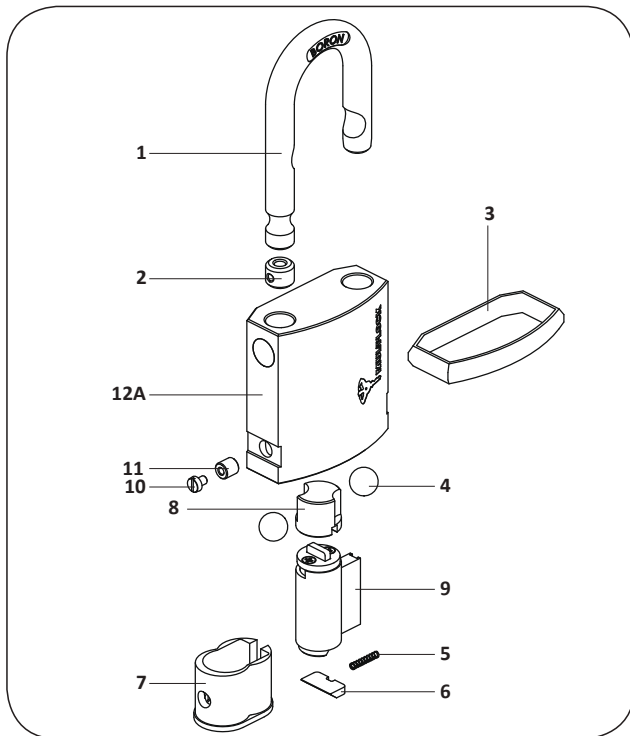
Parts for NE-Series Padlocks

Part #	Description	MT5®+	Interactive®+ Classic	Integrator®	
1	PPL-SHAC-NE___-E_	Shackle for NE-Series Padlock (Specify Size)	Call for Price	Call for Price	N/A
2	PPL-ADAPT-NE-SHAC	Adaptor for NE-Series Padlock Shackle	N/A	N/A	N/A
3	PPL-NE__-BUMP	Protective Bumper for NE-Series Padlock (Not Sold Separately)	N/A	N/A	N/A
4	PPL-NE__-BB	Locking Ball for NE-Series Padlock (Not Sold Separately)	N/A	N/A	N/A
5	PPL-NE-DUST-SPR	Spring for Dust Cover for NE-Series Padlock (Not Sold Separately)	N/A	N/A	N/A
6	PPL-NE-DUST	Dust Cover for NE-Series Padlock (Not Sold Separately)	N/A	N/A	N/A
7	PPL-NE-CYLHOLD	Cylinder-Holder for NE-Series Padlock (Not Sold Separately)	N/A	N/A	N/A
8	PPL-NE__-ACT	Locking Actuator for NE-Series Padlock (Not Sold Separately)	N/A	N/A	N/A
9	KW-PPL-NE__CYL	Cylinder-Complete for NE-Series Padlock (Specify Size)	\$131.94	\$114.72	N/A
10	PPL-NE-RETSCR	Retainer Pin Screw for NE-Series Padlock (Not Sold Separately)	N/A	N/A	N/A
11	PPL-NE-RETPIN	Retainer Pin for NE-Series Padlock (Not Sold Separately)	N/A	N/A	N/A
12A	N/A	Body for NE-Series Padlock Low Guard (Not Sold Separately)	N/A	N/A	N/A
12B	N/A	Body for NE-Series Padlock High Guard (Not Sold Separately)	N/A	N/A	N/A

Due to design enhancements and subsequent part changes, please be sure to specify estimated age of NE-Series padlock when ordering parts.

Cylinders for NE and NG-Series Padlocks

Part #	Description	MT5®+	Interactive®+ Classic	Integrator®
KW-PPL-NE__CYL	Cylinder-Complete for NE-Series Padlock (Specify Size)	\$131.94	\$114.72	N/A
KW-PPL-NG__CYL	Cylinder-Complete for NE-Series Padlock (Specify Size)	\$84.17	\$73.06	\$69.90
LST-SCR-NG-NE	Special Screw for Servicing NE / NG Padlocks	\$10.00	\$10.00	\$10.00



Padlock Parts

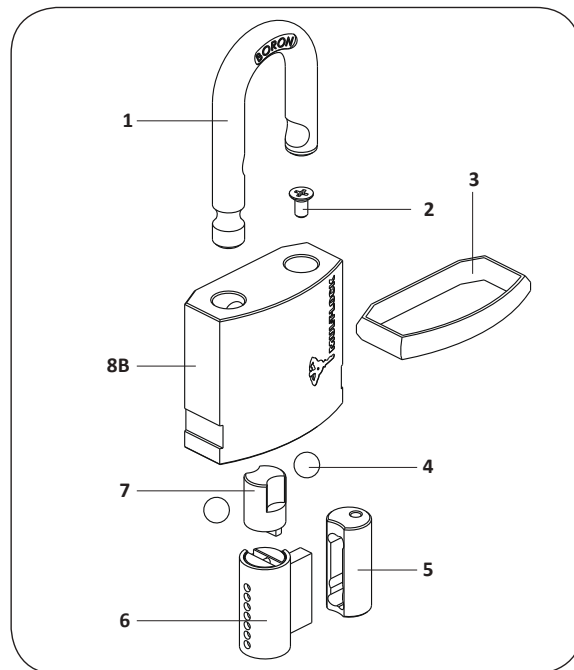
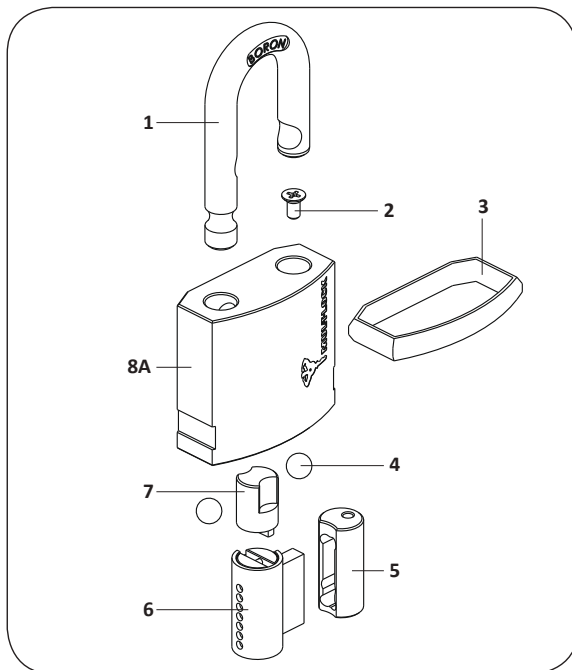
Parts for NG-Series Padlocks

Part #	Description	MT5®+	Interactive®+ Classic	Integrator®
1	PPL-SHAC-NG___-G_ Shackle for NG-Series Padlock (Specify Size)	Call for Price	Call for Price	Call for Price
2	PPL-SCR-NG__ Screw for NG-Series Padlock (Not Sold Separately)	N/A	N/A	N/A
3	PPL-NG__-BUMP Protective Bumper for NG-Series Padlock (Not Sold Separately)	N/A	N/A	N/A
4	PPL-NG__-BB Locking Ball for NG-Series Padlock (Not Sold Separately)	N/A	N/A	N/A
5	PPL-NG-CYLHOLD Cylinder-Holder for NG-Series Padlock (Not Sold Separately)	N/A	N/A	N/A
6	KW-PPL-NG__CYL Cylinder-Complete for NG-Series Padlock (Specify Size)	\$84.17	\$73.06	\$69.90
7	PPL-NG-CAMACT Cam Activator for NG-Series Padlock (Not Sold Separately)	N/A	N/A	N/A
8A	N/A Body for NG-Series Padlock Low Guard (Not Sold Separately)	N/A	N/A	N/A
8B	N/A Body for NG-Series Padlock High Guard (Not Sold Separately)	N/A	N/A	N/A

Shackles for NE and NG-Series Padlocks

Part #	Description	MT5®+	Interactive®+ Classic	Integrator®
PPL-SHAC-NE10L-E1	Shackle NE-Series Padlock #10 Low (1" Clearance)	\$29.80	\$29.80	N/A
PPL-SHAC-NE10L-E2	Shackle NE-Series Padlock #10 Low (2" Clearance)	\$35.00	\$35.00	N/A
PPL-SHAC-NE10H-E1	Shackle NE-Series Padlock #10 High (1" Clearance)	\$38.00	\$38.00	N/A
PPL-SHAC-NE12L-E1	Shackle NE-Series Padlock #12 Low (1" Clearance)	\$35.00	\$35.00	N/A
PPL-SHAC-NE12L-E2	Shackle NE-Series Padlock #12 Low (2" Clearance)	\$40.00	\$40.00	N/A
PPL-SHAC-NE12H-E1	Shackle NE-Series Padlock #12 High (1" Clearance)	\$43.00	\$43.00	N/A
PPL-SHAC-NE14L-E1	Shackle NE-Series Padlock #14 Low (1" Clearance)	\$40.00	\$40.00	N/A
PPL-SHAC-NE14L-E2	Shackle NE-Series Padlock #14 Low (2" Clearance)	\$45.00	\$45.00	N/A
PPL-SHAC-NE14H-E1	Shackle NE-Series Padlock #14 High (1" Clearance)	\$48.00	\$48.00	N/A
PPL-SHAC-NG08L-G1	Shackle NG-Series Padlock #08 Low (1" Clearance)	\$20.80	\$20.80	\$20.80
PPL-SHAC-NG08L-G2	Shackle NG-Series Padlock #08 Low (2" Clearance)	\$25.20	\$25.20	\$25.20
PPL-SHAC-NG10L-G1	Shackle NG-Series Padlock #10 Low (1" Clearance)	\$25.20	\$25.20	\$25.20
PPL-SHAC-NG10L-G2	Shackle NG-Series Padlock #10 Low (2" Clearance)	\$29.80	\$29.80	\$29.80

Due to design enhancements and subsequent part changes, please be sure to specify estimated age of E-Series padlock when ordering parts.

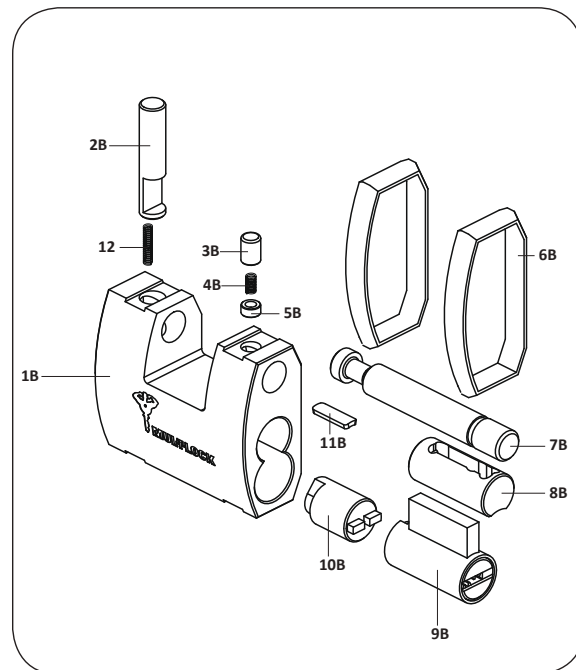
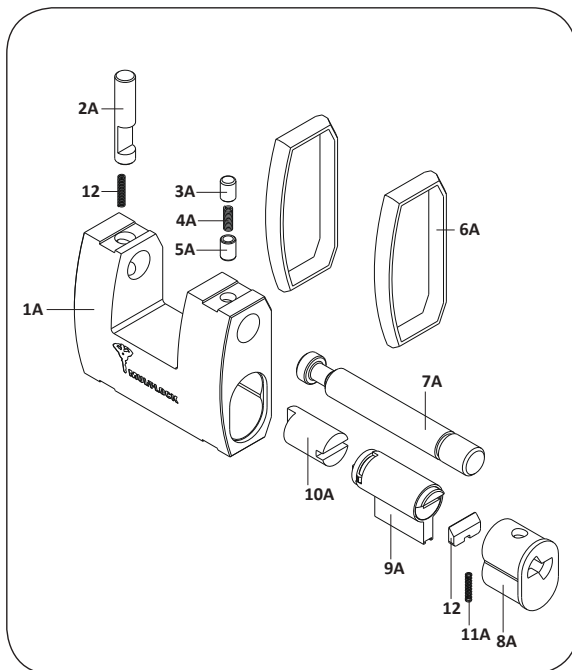


Padlock Parts

Parts for NE and NG-Series SBE Padlocks

Part #	Description	MT5®+	Interactive®+ Classic	Integrator®
1A	N/A	N/A	N/A	N/A
1B	N/A	N/A	N/A	N/A
2A	PPL-NE-SB-LAT	N/A	N/A	N/A
2B	PPL-NG-SB-LAT	N/A	N/A	N/A
3A	PPL-NE-PIN-STOP	N/A	N/A	N/A
3B	PPL-NG-PIN-STOP	N/A	N/A	N/A
4A	PPL-NE-SPR-STOP	N/A	N/A	N/A
4B	PPL-NG-SPR-STOP	N/A	N/A	N/A
5A	PPL-NE-PIN-STOP	N/A	N/A	N/A
5B	PPL-NG-PIN-STOP	N/A	N/A	N/A
6A	PPL-NE-SB-BUMP	N/A	N/A	N/A
6B	PPL-NG-SB-BUMP	N/A	N/A	N/A
7A	PPL-NE__SB-BLT	N/A	N/A	N/A
7B	PPL-NG__SB-BLT	N/A	N/A	N/A
8A	PPL-NE-SB-CYLHOLD	N/A	N/A	N/A
8B	PPL-NG-SB-CYLHOLD	N/A	N/A	N/A
9A	KW-PPL-NESB12CYL	\$131.94	\$114.72	N/A
9B	KW-PPL-NGSB10CYL	\$84.17	\$73.06	N/A
10A	PPL-NE-SB-CAMACT	N/A	N/A	N/A
10B	PPL-NG-SB-CAMACT	N/A	N/A	N/A
11A	PPL-NE-SB-SPR-SHUT	N/A	N/A	N/A
11B	PPL-NG-SB-SPR-SHUT	N/A	N/A	N/A
12A	PPL-NE-SB-SHUTTER	N/A	N/A	N/A
12B	PPL-NG-SB-SHUTTER	N/A	N/A	N/A

Due to design enhancements and subsequent part changes, please be sure to specify estimated age of E-Series padlock when ordering parts.

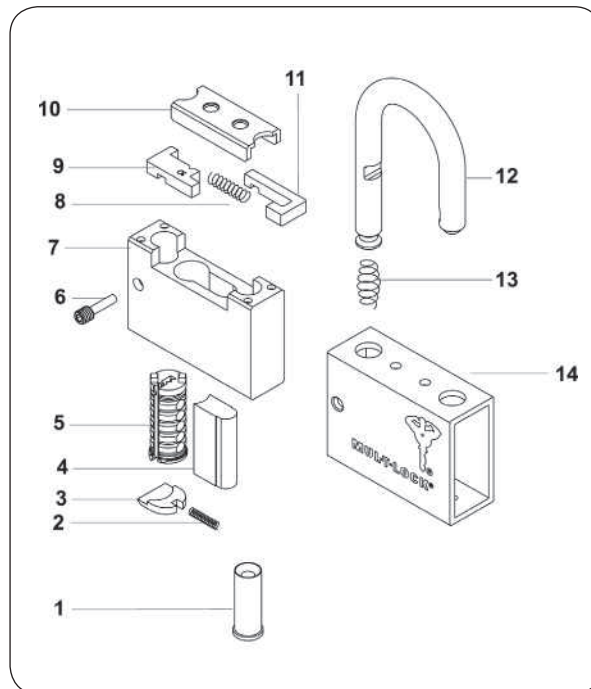


Padlock Parts

Parts for C-Series Pop Shackle Padlocks

Part #	Description	MT5@+	Interactive@+ Classic	Integrator@
1 PPL-C-ROL_ _ _	Roll Pin for C-Series Padlocks (Specify Size) (Not Available for #08P)	\$10.44	\$10.44	N/A
2 PPL-C-DUST-SPR	Dust Cover Spring for C-Series Padlocks	\$0.56	\$0.56	N/A
3 PPL-C-DUST	Dust Cover for C-Series Padlocks	\$5.22	\$5.22	N/A
4 N/A	Cylinder Body for C-Series Padlocks (Not Sold Separately)	N/A	N/A	N/A
5 N/A	Cylinder Plug for C-Series Padlocks (Not Sold Separately)	N/A	N/A	N/A
6 PPL-SCR-C-POPRET	Combined Allen Screw and Retainer Pin for Pop Shackle C-Series Padlocks	\$3.67	\$3.67	N/A
7 N/A	Core for C-Series Padlocks (Not Sold Separately)	N/A	N/A	N/A
8 PPL-C-LAT_ _-SPR	Spring for Latch for C-Series Padlocks (Specify Size)	\$0.89	\$0.89	N/A
9 PPL-C-LAT_ _PKR-SH	Latch Key Retaining for Pop C-Series Padlocks-Short (Specify Size)	\$2.78	\$2.78	N/A
10 PPL-C-LATCOVER	Latch Cover for C-Series Padlocks (Specify Size)	\$6.78	\$6.78	N/A
11 PPL-C-LAT_ _PKR-LG	Latch Key Retaining for Pop C-Series Padlocks-Long (Specify Size)	\$2.78	\$2.78	N/A
12 PPL-SHAC-C_ _P-C1	Shackle for Pop C-Series Padlocks (Specify Size)	Call for Price	Call for Price	N/A
13 PPL-C-SHAC_ _ _-SPR	Shackle Spring for C-Series Padlocks (Specify Size)	\$1.33	\$1.33	N/A
14 N/A	Shell for C-Series Padlocks (Not Sold Separately)	N/A	N/A	N/A

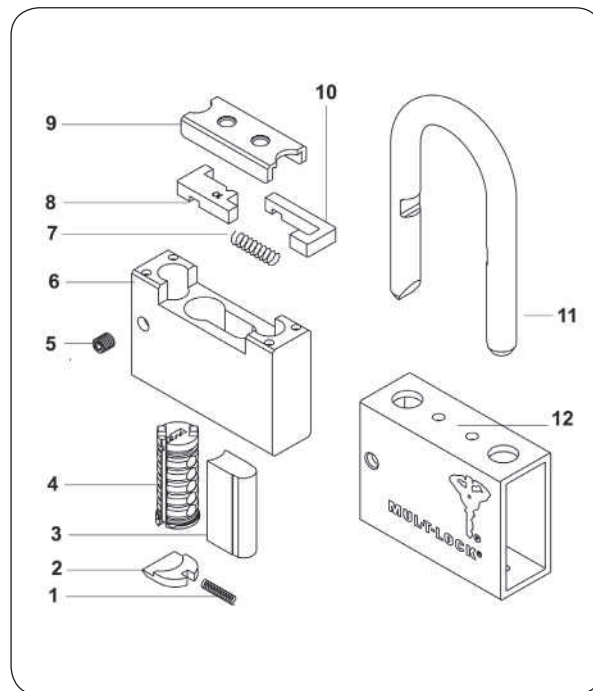
Due to design enhancements and subsequent part changes, please be sure to specify estimated age of E-Series padlock when ordering parts.



Padlock Parts

Parts for C-Series Removable Shackle Padlocks

Part #	Description	MT5®+	Interactive®+ Classic	Integrator®
1	PPL-C-DUST-SPR	\$0.56	\$0.56	N/A
2	PPL-C-DUST	\$5.89	\$5.89	N/A
3	N/A	N/A	N/A	N/A
4	N/A	N/A	N/A	N/A
5	PPL-SCR-C-REM	\$2.67	\$2.67	N/A
6	N/A	N/A	N/A	N/A
7	PPL-C-LAT__-SPR	\$0.89	\$0.89	N/A
8	PPL-C-LAT__R-SH	\$2.78	\$2.78	N/A
9	PPL-C-LATCOVER	\$6.78	\$6.78	N/A
10	PPL-C-LAT__R-LG	\$2.78	\$2.78	N/A
11	PPL-SHAC-C__R-C1	Call for Price	Call for Price	N/A
12	N/A	N/A	N/A	N/A



Padlock Parts

Parts for C-Series Removable Shackle Padlocks (Not Pictured)

Part #	Description	MT5®+	Interactive®+ Classic	Integrator®
PPL-C-LAT__PNK-SH	Latch Non-Key Retaining for Pop C-Series Padlocks-Short (Specify Size)	\$4.95	\$4.95	N/A
PPL-C-LAT__PNK-LG	Latch Non-Key Retaining for Pop C-Series Padlocks-Long (Specify Size)	\$4.95	\$4.95	N/A

Cylinders for C-Series Padlocks

Part #	Description	MT5®+	Interactive®+ Classic	Integrator®
KW-PPL-C08CYL	Cylinder for C-Series Padlock #8	\$88.42	\$76.84	N/A
KW-PPL-C10CYL	Cylinder for C-Series Padlock #10, 13, 16, and 35	\$88.42	\$76.84	N/A

Shackles for C-Series Padlocks

Part #	Description	MT5®+	Interactive®+ Classic	Integrator®
PPL-SHAC-C08P-C1	Shackle C-Series Padlock #8 Pop (7/8" Clearance)	\$21.89	\$21.89	N/A
PPL-SHAC-C08P-C2	Shackle C-Series Padlock #8 Pop (2" Clearance)	\$26.53	\$26.53	N/A
PPL-SHAC-C08P-C3	Shackle C-Series Padlock #8 Pop (4" Clearance)	\$32.42	\$32.42	N/A
PPL-SHAC-C10P-C1	Shackle C-Series Padlock #10 Pop (1 1/4" Clearance)	\$26.53	\$26.53	N/A
PPL-SHAC-C10P-C2	Shackle C-Series Padlock #10 Pop (2 1/2" Clearance)	\$31.37	\$31.37	N/A
PPL-SHAC-C10P-C3	Shackle C-Series Padlock #10 Pop (4" Clearance)	\$37.16	\$37.16	N/A
PPL-SHAC-C10R-C1	Shackle C-Series Padlock #10 Rem. (1 1/4" Clearance)	\$26.53	\$26.53	N/A
PPL-SHAC-C10R-C2	Shackle C-Series Padlock #10 Rem. (2 1/2" Clearance)	\$31.37	\$31.37	N/A
PPL-SHAC-C10R-C3	Shackle C-Series Padlock #10 Rem. (4" Clearance)	\$37.16	\$37.16	N/A
PPL-SHAC-C13P-C1	Shackle C-Series Padlock #13 Pop (1 1/2" Clearance)	\$34.11	\$34.11	N/A
PPL-SHAC-C13P-C2	Shackle C-Series Padlock #13 Pop (2 1/4" Clearance)	\$38.53	\$38.53	N/A
PPL-SHAC-C13P-C3	Shackle C-Series Padlock #13 Pop (4" Clearance)	\$44.53	\$44.53	N/A
PPL-SHAC-C13R-C1	Shackle C-Series Padlock #13 Rem. (1 1/2" Clearance)	\$34.11	\$34.11	N/A
PPL-SHAC-C13R-C2	Shackle C-Series Padlock #13 Rem. (2 1/4" Clearance)	\$38.53	\$38.53	N/A
PPL-SHAC-C13R-C3	Shackle C-Series Padlock #13 Rem. (4" Clearance)	\$44.53	\$44.53	N/A
PPL-SHAC-C16R-C1	Shackle C-Series Padlock #16 Rem. (1 1/2" Clearance)	\$43.26	\$43.26	N/A
PPL-SHAC-C16R-C2	Shackle C-Series Padlock #16 Rem. (2 1/4" Clearance)	\$47.89	\$47.89	N/A
PPL-SHAC-C16R-C3	Shackle C-Series Padlock #16 Rem. (4" Clearance)	\$53.89	\$53.89	N/A

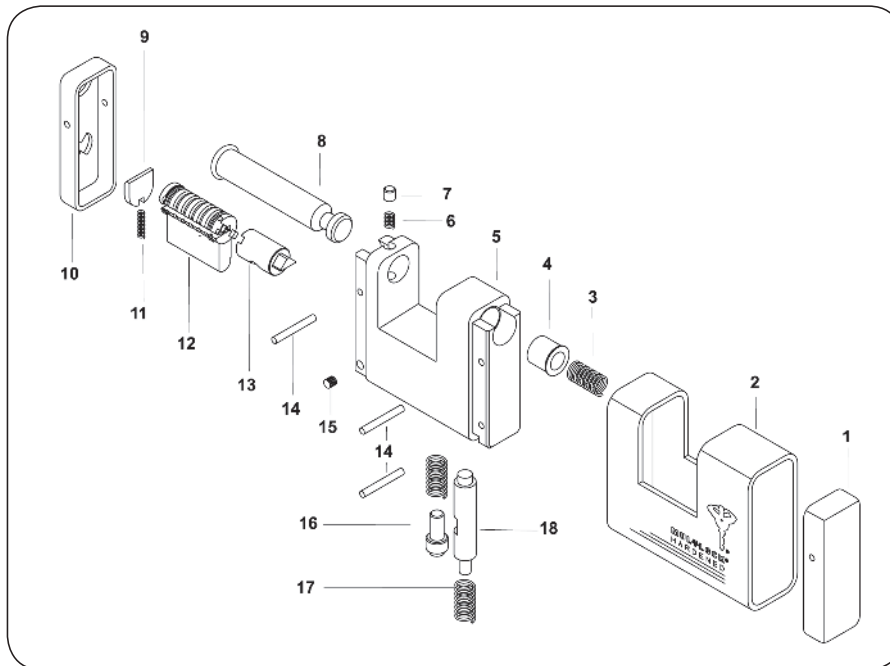
Shackles Protectors for C-Series Padlocks

Part #	Description	MT5®+	Interactive®+ Classic	Integrator®
PPL-ACC-CSP10P	Shackle Protector for #10 Pop C-Series Padlock	\$43.16	\$43.16	N/A
PPL-ACC-CSP10R	Shackle Protector for #10 Removable C-Series Padlock	\$43.16	\$43.16	N/A
PPL-ACC-CSP13P	Shackle Protector for #13 Pop C-Series Padlock	\$45.89	\$45.89	N/A
PPL-ACC-CSP13R	Shackle Protector for #13 Removable C-Series Padlock	\$45.89	\$45.89	N/A
PPL-ACC-CSP16R	Shackle Protector for #16 Removable C-Series Padlock	\$54.42	\$54.42	N/A

Padlock Parts

Parts for C-Series #35 Padlocks

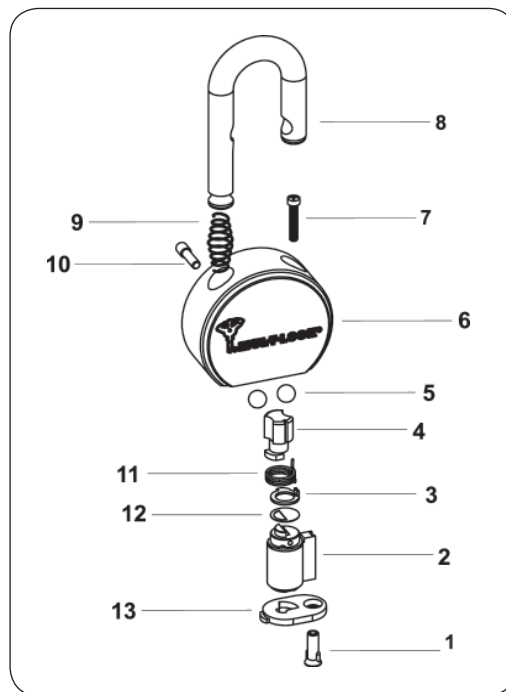
Part #	Description	MT5®+	Interactive®+ Classic	Integrator®	
1	PPL-C35-PLATE-R	Rear Protecting Plate for C-Series #35 Padlock (Not Sold Separately)	N/A	N/A	N/A
2	N/A	Shell for C-Series #35 Padlock (Not Sold Separately)	N/A	N/A	N/A
3	PPL-C35-DRIVE-SPR	Drive Spring for C-Series #35 Padlock (Not Sold Separately)	N/A	N/A	N/A
4	PPL-C35-DRIVE-PSH	Drive Push for C-Series #35 Padlock	\$5.22	\$5.22	N/A
5	N/A	Core for C-Series #35 Padlock (Not Sold Separately)	N/A	N/A	N/A
6	PPL-C35-STOP-SPR	Stopper Spring for C-Series #35 Padlock	\$0.89	\$0.89	N/A
7	PPL-C35-STOP	Stopper for C-Series #35 Padlock (Not Sold Separately)	N/A	N/A	N/A
8	PPL-C35-BLT	Locking Bolt for C-Series #35 Padlock (Not Sold Separately)	N/A	N/A	N/A
9	PPL-C-DUST	Dust Cover for C-Series Padlocks	\$5.22	\$5.22	N/A
10	PPL-C35-PLATE-F	Front Protecting Plate for C-Series #35 Padlock (Not Sold Separately)	N/A	N/A	N/A
11	PPL-C-DUST-SPR	Dust Cover Spring for C-Series Padlocks	\$0.56	\$0.56	N/A
12	KW-PPL-C10CYL	Cylinder for C-Series Padlock #10, 13, 16, and 35	\$93.33	\$81.11	N/A
13	PPL-C35-ACT	Locking Actuator for C-Series #35 Padlock (Not Sold Separately)	N/A	N/A	N/A
14	PPL-C35-BODPIN	Body Retaining Pin for C-Series #35 Padlock (Not Sold Separately)	N/A	N/A	N/A
15	PPL-SCR-C35	Set Screw for C-Series #35 Padlock (Not Sold Separately)	N/A	N/A	N/A
16	PPL-C35-GRPIN	Grooved Locking Pin for Series #35 Padlock (Not Sold Separately)	N/A	N/A	N/A
17	PPL-C35-LAT-SPR	Spring for Latch for C-Series #35 Padlock (Not Sold Separately)	N/A	N/A	N/A
18	PPL-C35-LAT	Latch for C-Series #35 Padlock (Not Sold Separately)	N/A	N/A	N/A



Padlock Parts

Parts for T-Series Padlocks TSR

Part #	Description	MT5®+	Interactive®+ Classic	Integrator®	
1	PPL-TSR-SETPIN	Set Pin for Cylinder Retainer Plate for TSR Padlock (Not Sold Separately)	N/A	N/A	N/A
2	KW-PPL-TSR	Cylinder for T-Series Padlock TSR (See Below)	\$80.79	\$70.26	N/A
3	PPL-TSR-CAMRING	Cam Ring for Cylinder for T-Series Padlock TSR (Not Sold Separately)	N/A	N/A	N/A
4	PPL-TSR-CAMACT	Cam Activator for T-Series Padlock TSR (Not Sold Separately)	N/A	N/A	N/A
5	PPL-TSR-LCKBALL	Locking Ball for T-Series Padlock TSR (Not Sold Separately)	N/A	N/A	N/A
6	N/A	Body for T-Series Padlock TSR (Not Sold Separately)	N/A	N/A	N/A
7	PPL-SCR-TSR-CYRET	Set Screw for Cyl. Retainer Plate for TSR Padlock (Not Sold Separately)	N/A	N/A	N/A
8	N/A	Shackle for T-Series Padlock TSR (Not Sold Separately)	N/A	N/A	N/A
9	PPL-TSR-SHAC-SPR	Shackle Spring for T-Series Padlock TSR (Not Sold Separately)	N/A	N/A	N/A
10	PPL-SCR-TSR-SHRET	Shackle Retainer Screw for T-Series Padlock TSR	\$1.05	\$1.05	N/A
11	PPL-TSR-CAMSPR	Cam Spring for T-Series Padlock TSR (Not Sold Separately)	N/A	N/A	N/A
12	PPL-TSR-CAMLIM	Cam Limiter Disc for T-Series Padlock TSR (Not Sold Separately)	N/A	N/A	N/A
13	PPL-TSR-CYLPLATE	Cylinder Protector Plate for T-Series Padlock TSR (Not Sold Separately)	N/A	N/A	N/A



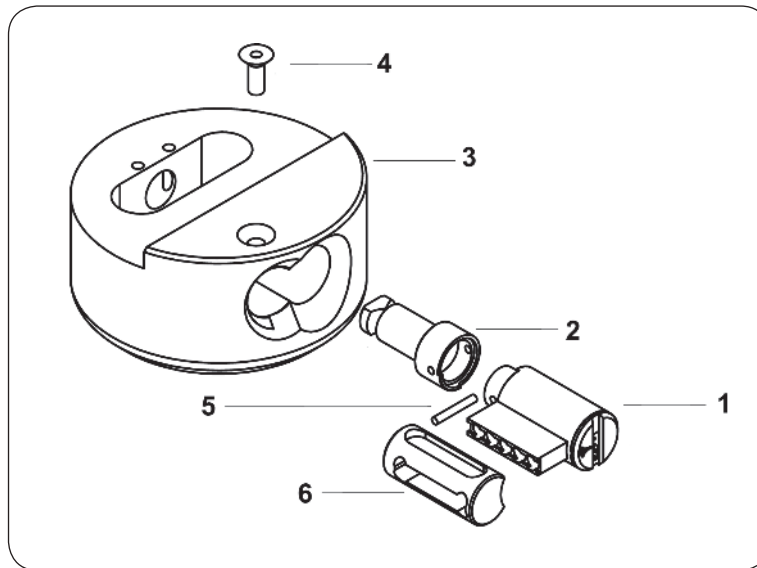
Padlock Parts

Parts for T-Series Padlocks TR100

Part #	Description	MT5®+	Interactive®+ Classic	Integrator®
1 N/A	Cylinder (Plug & Shell) for T-Series Padlock TR100 (Not Sold Separately)	N/A	N/A	N/A
2 PPL-TR100-BLT	Locking Bolt for T-Series Padlock TR100 (Not Sold Separately)	N/A	N/A	N/A
3 N/A	Body for T-Series Padlock TR100 (Not Sold Separately)	N/A	N/A	N/A
4 PPL-SCR-TR100	Retainer Screw for Cylinder for T-Series Padlock TR100	\$2.95	\$2.95	N/A
5 PPL-TR100-CONPIN	Connecting Pin for Cyl. & Locking Bolt for TR100 (Not Sold Separately)	N/A	N/A	N/A
6 PPL-TR100-CYLBASE	Cylinder Base for T-Series Padlock TR100 (Not Sold Separately)	N/A	N/A	N/A

Cylinders for T-Series Padlocks

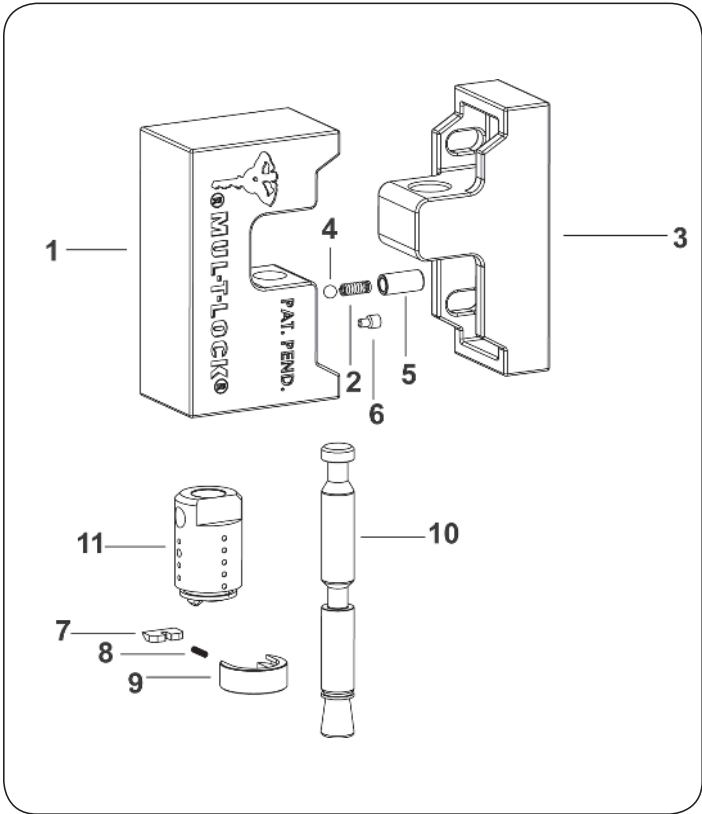
Part #	Description	MT5®+	Interactive®+ Classic	Integrator®
KW-PPL-TSR	Cylinder for T-Series Padlock TSR	\$80.79	\$70.26	N/A
KW-PPL-TR100	Cylinder for T-Series Padlock TR100	\$95.26	\$82.89	N/A



Padlock Parts

Parts for Hasp Lock

Part #	Description	MT5®+	Interactive®+ Classic	Integrator®
1 N/A	Body for Hasp Lock (Not Sold Separately)	N/A	N/A	N/A
2 PPL-HASP-RPIN-SPR	Spring for Retainer Pin for Locking Bolt for Hasp Lock	N/A	N/A	N/A
3 N/A	Mounting Body for Hasp Lock	N/A	N/A	N/A
4 N/A	Anti-Drill Ball Bearings (Not Sold Separately)	N/A	N/A	N/A
5 PPL-HASP-RPIN	Retainer Pin for Hasp Lock	N/A	N/A	N/A
6 PPL-SCR-HASP-RPIN	Screw for Retainer Pin for Hasp Lock	N/A	N/A	N/A
7 PPL-HASP-DUST	Dust Cover for Hasp Lock	N/A	N/A	N/A
8 PPL-HASP-DUST-SPR	Spring for Dust Cover for Hasp Lock	N/A <td N/A	N/A	
9 PPL-HASP-CYLPLATE	Cylinder Protector Plate for Hasp Lock	N/A	N/A	N/A
10 PPL-HASP13-BLT	Locking Bolt for Hasp Lock	\$34.56	\$34.56	N/A
11 KW-PPL-HASPCYL	Cylinder for Hasp Lock	\$81.39	\$70.83	N/A

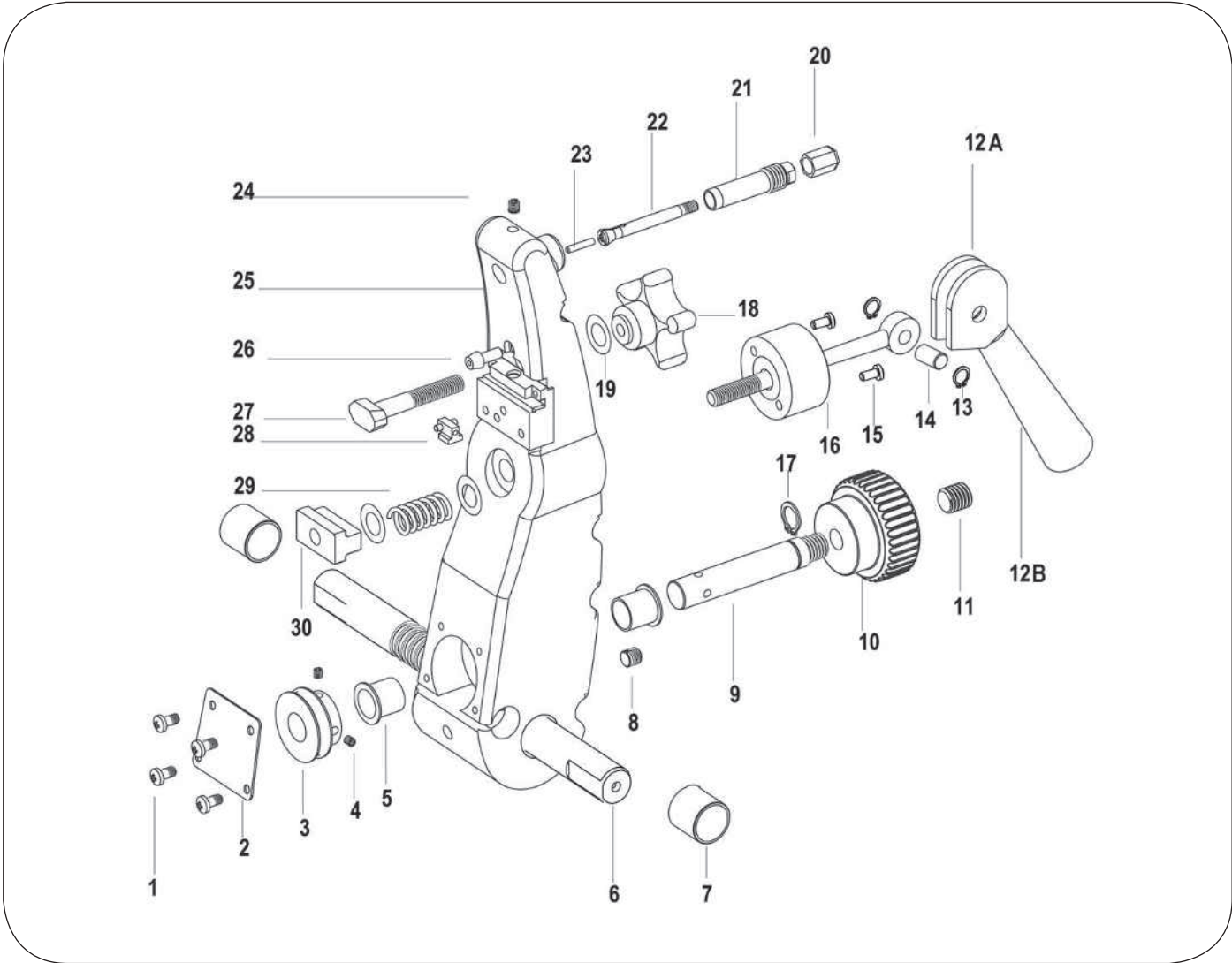


Key Cutting Machine Parts

Compact 2 Key Cutting Machine Parts (Cutting Arm)

Part #	Description	MT5®+	Interactive®+ Classic	Integrator®	
1	PKM-SCR-CABWHE-CVR	Screw for Cable Wheel Cover	N/A	\$3.33	N/A
2	PKM-CABWHE-CVR	Cable Wheel Cover	N/A	\$6.78	N/A
3	PKM-CABWHE	Cable Wheel	N/A	\$28.44	N/A
4	PKM-SCR-CABWHE	Socket Set Screw for Cable Wheel	N/A	\$3.33	N/A
5	PKM-CABWHE-BUS	Bushing for Cable Wheel	N/A	\$3.33	N/A
6	PKM-CENSHA	Central Shaft for Arm	N/A	\$89.44	N/A
7	PKM-CENSHA-BUS	Bronze Bushing for Central Shaft Arm	N/A	\$3.33	N/A
8	PKM-SCR-CENSHA	Screw for Central Shaft Arm	N/A	\$6.78	N/A
9	PKM-CABWHE-SHA	Cable Wheel Shaft	N/A	\$46.44	N/A
10	PKM-CABWHE-HAN	Round Handle for Cable Wheel Shaft	N/A	\$46.44	N/A
11	PKM-SCR-CABWHE-HAN	Screw for Round Handle for Cable Wheel Shaft	N/A	\$6.78	N/A
12A	PKM-ARM-CAM	Arm Cam	N/A	\$181.67	N/A
12B	PKM-ARM-HAN	Arm Handle	N/A	\$104.44	N/A
13	PKM-ARM-HAN-RNG	Retaining Ring for Arm Handle	N/A	\$1.89	N/A
14	PKM-ARM-HAN-PIN	Retaining Pin for Arm Handle	N/A	\$9.33	N/A
15	PKM-SCR-PRECOR	Screws for Pressure Coordinator	N/A	\$3.33	N/A
16	PKM-C2-CLUTCHASSEM	Pressure Coordinator	N/A	\$221.78	N/A
17	PKM-CABWH-SHA-RNG	Retaining Ring for Cable Wheel Shaft	N/A	\$1.89	N/A
18	PKM-CLABLT-HAN	Clamping Bolt Handle	N/A	\$46.44	N/A
19	PKM-CLABLT-WAS	Washer for Clamping Bolt Arm Handle	N/A	\$1.89	N/A
20	PKM-PROBE-NUT	Nut for Probe	N/A	\$9.33	N/A
21	PKM-PROBE-HOU	Housing for Probe	N/A	\$46.44	N/A
22	PKM-PROBE-HOL	Holder for Probe	N/A	\$79.56	N/A
23	PKM-PROBE-TIP	Probe Tip	N/A	\$47.00	N/A
24	PKM-SCR-PROBE	Locking Screw for Probe	N/A	\$6.78	N/A
25	PKM-ARM	Arm	N/A	\$130.00	N/A
26	PKM-ARM-PIN	Pin for Arm	N/A	\$9.33	N/A
27	PKM-HOLBAR	Holding Bar for Arm	N/A	\$43.78	N/A
28	PKM-C2-STOP-ASSBLY	Tip Stop Assembly	N/A	\$193.89	N/A
29	PKM-HOLBAR-SPR	Spring for Holding Bar	N/A	\$31.33	N/A
30	PKM-HOLBAR-NUT	T-Nut for Holding Bar	N/A	\$28.44	N/A

Key Cutting Machine Parts



Key Cutting Machine Parts

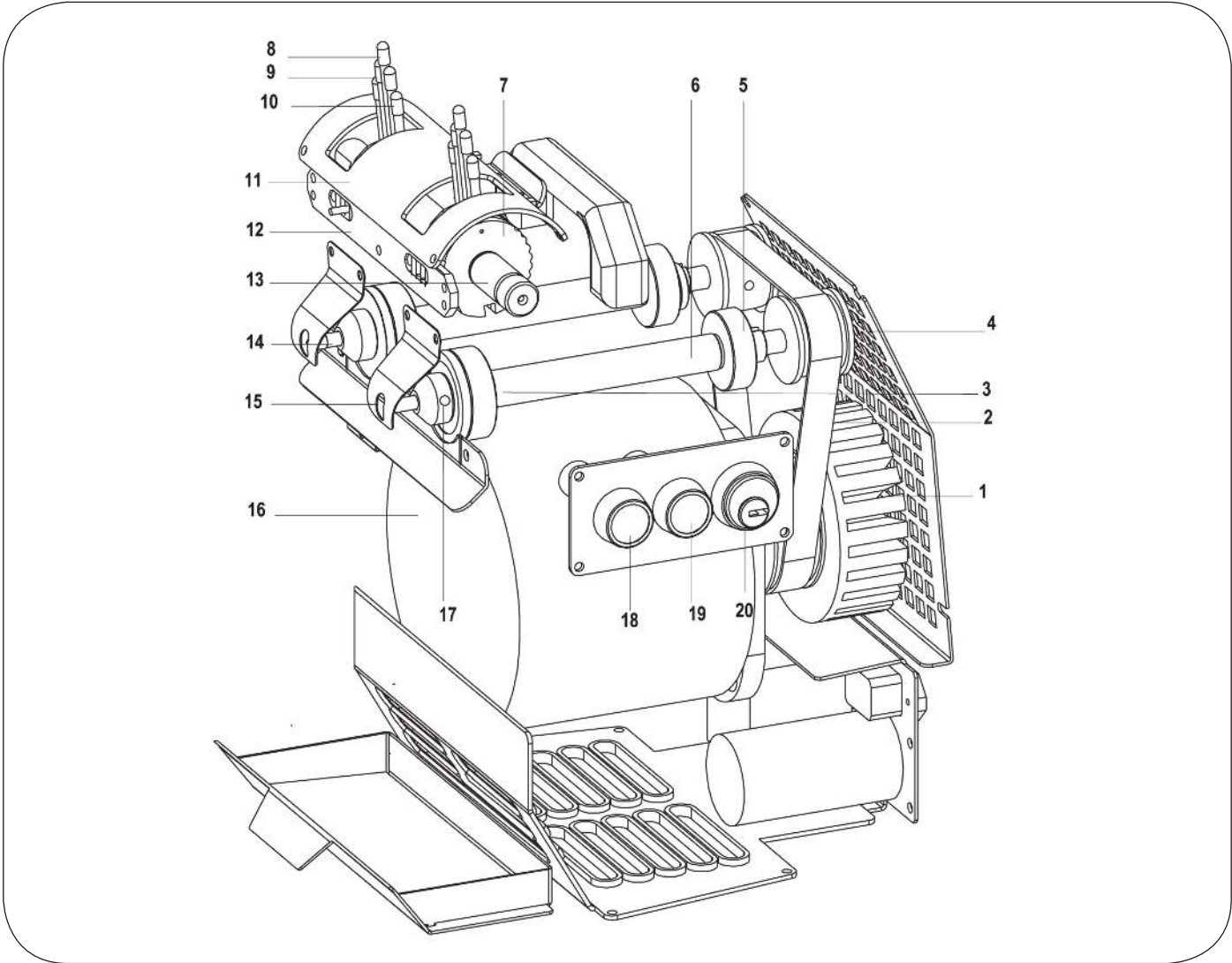
Compact 2 Key Cutting Machine Parts (Base)

Part #	Description	MT5®+	Interactive®+	
			Classic	Integrator®
1	PKM-C2-MOTWHL Motor Drive Wheel	N/A	\$570.11	N/A
2	PKM-C2-MOTWHL-BEL Belt for Motor Drive Wheel	N/A	\$125.11	N/A
3	PKM-C2-DRVSHA-BE3 Bearing for Drive Shaft N.T.N 7203B	N/A	\$622.33	N/A
4	PKM-C2-DRVWHL Drive wheel	N/A	\$212.44	N/A
5	PKM-C2-DRVSHA-B2 Bearing for Drive Shaft N.T.N 7202B	N/A	\$622.33	N/A
6	PKM-C2-DRVSHA Drive Shaft	N/A	\$622.33	N/A
7	PKM-C2-TUMDSC Tumbler Disc	N/A	\$622.33	N/A
8	PKM-C2-TUMDSC-H3 Tumbler Disc Handle #3	N/A	\$43.78	N/A
9	PKM-C2-TUMDSC-H2 Tumbler Disc Handle #2	N/A	\$43.78	N/A
10	PKM-C2-TUMDSC-H1 Tumbler Disc Handle #1	N/A	\$43.78	N/A
11	PKM-C2-TOPCVR Top Cover	N/A	\$79.56	N/A
12	PKM-C2-LOCPLT Locating Plate	N/A	\$46.44	N/A
13	PKM-C2-TUMDSC-SHA Shaft for Tumbler Disk	N/A	\$261.78	N/A
14	PKM-CUTTER-EXT Cutter (External)	N/A	\$335.56	N/A
15	PKM-CUTTER-INT Cutter (Internal)	N/A	\$335.56	N/A
16	PKM-MOTOR-110V Electric motor 110v-100V	N/A	\$2,610.22	N/A
17	PKM-SCR-CUTTER Set Screw for Cutters	N/A	\$9.33	N/A
18	PKM-SWITCH-GRN Switch - DECA p16pmu2-1ab0G	N/A	\$104.44	N/A
19	PKM-SWITCH-RED Switch - DECA p16pmu2-1ab0R	N/A	\$104.44	N/A
20	205S-SW22-NS-D Factory Restricted Switch Lock Ø 7/8" KD w/2 Nylon Head Keys	N/A	\$132.33	N/A

Parts for Key Cutting Machine (Full & Compact)

Part #	Description	MT5®+	Interactive®+	
			Classic	Integrator®
PKM-CUTTER-PROT	Interactive®+ Disc Protector for Full Size Key Cutting Machine	N/A	\$5.22	\$5.00
PKM-PROBE-COM	Probe Assembly for Key Cutting Machine-Complete (Full & Compact 1&2)	N/A	\$132.33	\$126.67
PKM-FL-FIXPIN	Bar Fixing Pin for Key Cutting Machine (Full)	N/A	\$53.67	\$51.39
PKM-TIPSTOP	Tip Stop for Key Cutting Machine (Full & Compact 1)	N/A	\$9.33	\$8.89
PKM-CUTTER-PAIR	Cutters for Key Cutting Machine-Complete Pair (Full & Compact 1&2)	N/A	\$578.22	\$553.33
PKM-C2-SIDEPINADAP	Adaptor for Cutting Side Pins	N/A	\$59.10	N/A
PKM-C-STOP-ICCKEYB	Adaptor for Cutting Side Pins on a Control Key for ICC Cylinders	N/A	\$70.55	N/A
PKM-CORD	Cord for Key Cutting Machine (Compact 1&2)	N/A	\$46.44	\$44.44
PKM-FS-COVER-BACK	Back Cover	N/A	\$92.89	N/A

Key Cutting Machine Parts





CUSTOMER # _____ DATE _____ PO# _____

BILL TO

Company

Address

City State Zip

Telephone Fax

Email Address

SHIP TO

Company

Address

City State Zip

Telephone Fax

SHIPPING METHOD

US Mail Common Carrier Ground
 3 Day 2 Day Next Day (8:30am)
 Next Day (10:30am) Next Day (3:00pm)
 Next Day (Saturday) Salesperson
 Customer Pickup [UPS or FedEx]

EXPEDITED SERVICE:

Yes, please expedite my order (fees apply)
 Please indicate your desired delivery date: _____

PAYMENT METHOD

Open Account C.O.D
 CC# _____ Exp. _____
 Billing Address _____
 CW2 Security Code _____

Keyway	Product	Finish	Tailpiece/ Shackle/ Cam	Backset	Keying	Keys	Qty	Price

Special Notes:

Mul-T-Lock USA, Inc. www.mul-t-lockusa.com
 100 Commerce Way (Suite #2) Hackensack, NJ 07601
 Tel: 973-778-3320 Toll Free: 1-800-MULTLOCK Fax: 973-778-4007 Email: info@mul-t-lockusa.com

MUL-T-LOCK MASTER KEYING

Mul-T-Lock offers a quick and reliable solution to your master keying needs. Below is a list of terms and procedures to be used when requesting a Master Key System.

» TERMS

- GM - GRAND MASTER
- M... - SUB-MASTER OR CHANGE KEYS

Change or individual keys determine the sub-group or complete system level number.

For Instance:

A 2-Level System with 10 Change Keys

Example:

GM

M1 thru M10

A 3-Level System with 2 Subs and 5 Changes Under Each

Example:

GM

M1

M2

M1.1 thru M1.5

M2.1 thru M2.5

» PROCEDURES

A Hierarchical (or tree) system is the most common Master Key System design.

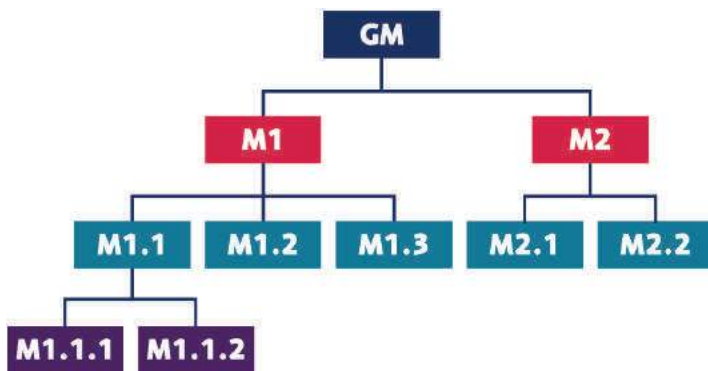
To request a standard tree Master key system, please contact your local Territory Manager or our Master Key Department for assistance.

A Matrix System is utilized when cross-keying needs to occur.

The Matrix chart will help you and your customer in the design of a Matrix system.

Begin by labeling the doors in one column and key holders in the other, then check the corresponding boxes to show authorizations.

Once this chart is filled out, fax it to Mul-T-Lock ATTN: Master Key Department, and one of our technicians will work on the solution for you.



TREE

	1	2	3	4
K1	X	X	X	X
K2		X		
K3		X	X	
K4		X		X

MATRIX



Master Key System Layout Chart

Dealer Name _____

Customer Name _____

Door # or Name	Cylinder Part #	Keying	Cyl. Quantity	Key Quantity

MUL-T-LOCK KEY & CYLINDER MAINTENANCE

In order to retain warranty eligibility, please review, implement and communicate to all users the proper maintenance procedures below to ensure continued proper function of Mul-T-Lock's high security keys and cylinders.

MUL-T-LOCK KEYS (Pertains to all Mul-T-Lock keys)

- Mul-T-Lock keys must be kept clean and must retain a straight blade – do not use keys for anything other than their intended duty – to lock/unlock your lock cylinders (keys may not be used as a tool such as a knife, screwdriver, etc.)
- Additional Mul-T-Lock keys may be obtained only from authorized Mul-T-Lock dealers. Only genuine Mul-T-Lock keys may be used to operate Mul-T-Lock lock cylinders.
- Remember that the cuts of your keys contain personal information about your lock cylinder combination and must be treated like any other confidential information you have.



MUL-T-LOCK CLIQ® SMART KEYS (Additional care instructions for CLIQ® keys)

CLIQ® keys must be kept dry and be free of moisture, dirt and debris before insertion into a CLIQ® cylinder. Should CLIQ® keys come into contact with any liquid, allow keys to dry completely before attempting to insert it into a CLIQ® e-cylinder.

See below for further information on key indications:



Key indications:

Light color	green green	=	✓
Duration	Short Short		Authorized key
Light color	red red red red	=	🔋
Duration	Short Short Short Short		Low battery
Light color	red	=	🚫
Duration	Long		Unauthorized key
Light color	red green red	=	🕒
Duration	Short Short Short		Out of schedule

MUL-T-LOCK KEY & CYLINDER MAINTENANCE

In order to retain warranty eligibility, please review, implement and communicate to all users the proper maintenance procedures below to ensure continued proper function of Mul-T-Lock's high security keys and cylinders.

» MUL-T-LOCK MECHANICAL CYLINDERS

- Mul-T-Lock cylinders must be put into correctly installed and freely operating locks. A misaligned door or poorly installed lock will cause an unnecessary load and friction that can damage cylinders.
- Never paint any external or internal part of a cylinder, and do not hose or chemical wash.
- MECHANICAL Mul-T-Lock Cylinders must be frequently lubricated with Mul-T-Lock liquid lubricant. The frequency of lubrication required will depend upon weather, environment, cylinder usage and location. All cylinders must be lubricated at least twice per year. However, cylinders in particular conditions (such as those used on external doors) must be lubricated at least four times per year and whenever users experience difficulty in turning or inserting keys. Use only Mul-T-Lock special lubricant. Please note that separate rules for lubrication apply to Mul-T-Lock's CLIQ® e-cylinders (see below).

» MUL-T-LOCK CLIQ® E-CYLINDERS

It is important to note that two separate lubricants may be required for CLIQ e-cylinders (one for those produced prior to 2010—cylinder plugs will show no markings and one for the newest version of CLIQ® e-cylinders—cylinder plugs will be stamped with a circle or an "O" symbol and serial numbers for these new cylinders will begin with "04__ __").

1. **Older** cylinders with no plug markings must be lubricated using a powder three-bond-1810C lubricant (Use Part Number QLST-LUBE)
2. **Newer** cylinders, which contain plugs showing an "O" symbol and are identified by serial numbers beginning with "04__ __" (e.g. 0407W and above) must be lubricated using a special C9 electromechanical liquid lubricant; not the same liquid lubricant used in mechanical cylinders (Use Part Number QLST-LUBE-C9)

» MUL-T-LOCK KEYS & CYLINDERS IN A MASTER KEY SYSTEM

When Mul-T-Lock keys and cylinders are part of a master key system, extra care is needed.

All Mul-T-Lock keys related to a master key system must carry a designation marking, and may only be used in the cylinder for which it is intended. If a Mul-T-Lock key fails to operate the cylinder(s) it is intended to open, the first action should be verification of key designation to ensure that the appropriate key has in fact been used. When in doubt, contact your authorized Mul-T-Lock dealer.

- Mul-T-Lock keys related to a master key system must be carefully distributed to the appropriate key holders. Accurate and up-to-date records of key distribution should be maintained at all times to ensure that master key system owners know exactly how many of each key for their system is in circulation and who is in possession of each one.
- Cylinders must be frequently lubricated (See Mul-T-Lock Cylinders section above).
- Additional Mul-T-Lock master key system keys may be obtained only from the original authorized Mul-T-Lock dealer that originally installed the master key system. If a change in the authorized Mul-T-Lock dealer selected to maintain your master key system is needed, contact Mul-T-Lock USA, Inc. for proper procedure instructions.

Failure to follow these procedures will void any warranty.

Limited Warranty

Mul T Lock hereby warrants, to the end user ("**Purchaser**") who purchases a genuine Mul T Lock® product ("**Product**"), from an authorized Mul-T-Lock dealer and/or licensed locksmith (**collectively referred to here as "Dealer"**) that the Product will be free from mechanical and/or electronic production defects in materials and workmanship ("**Defects**"), for a period of two years from the date the Product was shipped from Mul-T-Lock, subject to the terms and conditions indicated below.

Improper Activity shall render this limited warranty void. "Improper Activity" includes any and all of the following: installation by anyone other than an authorized Mul-T-Lock dealer and/or a licensed locksmith; improper installation; use/operation/maintenance other than in accordance with MulTLock's instructions, tampering by Purchaser; neglect; damage by the application of force; acts of vandalism; accidents; misuse; abuse; repair or alteration by anyone other than a Dealer; and use of keys, key blanks, key cutting machines, cylinders, locks, accessories, lubricants and/or other components that are not the suitable and genuine MulTLock products.

Some basic instructions for correct use of the Product are shown overleaf. Failure to adhere to these instructions shall render this limited warranty void.

MulTLock's sole obligation under this limited warranty is to repair or replace, at MulTLock's sole discretion, any Product found by Mul-T-Lock to have a Defect. This limited warranty does not grant any other rights or give rise to any other obligation, or absolve Purchaser of the responsibility to employ any other suitable measures, by whatever means, including insurance, against the risk of personal injury or damage to property. This limited warranty relates to Product's Defects only. Mul-T-Lock shall not be liable, in any event, for any labor costs associated with the Product and its installation process.

In order to facilitate the warranty service and enable MulTLock to determine entitlement under this warranty, Purchaser must first return the Product, with proof of purchase from a Dealer, and one or more original keys, to MulTLock, through the Dealer from whom Purchaser purchased the Product. All shipping, handling, travel, service call and/or other incidental and/or related charges are fully payable by Purchaser only and are not included in this limited warranty.

THE USE OF OTHER THAN SUITABLE, GENUINE MUL-T-LOCK® COMPONENTS MAY CAUSE SEVERE DAMAGE TO THE PRODUCT, AND WILL VOID THIS LIMITED WARRANTY. THIS LIMITED WARRANTY MAY NOT BE ASSIGNED OR OTHERWISE TRANSFERRED IN ANY WAY AND MAY NOT BE EXTENDED, ALTERED OR VARIED.

TO THE FULLEST EXTENT ALLOWABLE BY THE LAWS APPLYING HERETO, THIS LIMITED WARRANTY IS IN LIEU OF ANY OTHER WARRANTIES, EITHER EXPRESS OR IMPLIED, INCLUDING BUT NOT LIMITED TO ANY WARRANTIES OF MERCHANTABILITY OR FITNESS FOR A PARTICULAR PURPOSE, ALL OF WHICH ARE EXPRESSLY EXCLUDED AND DISCLAIMED. MUL-T-LOCK WILL NOT BE LIABLE FOR LOSS OF PROFITS, ANY SPECIAL, INCIDENTAL, OR CONSEQUENTIAL DAMAGES, WHICH PURCHASER MAY SUSTAIN, ANY DAMAGES FOR CLAIMS BY ANY THIRD PARTY OR PUNITIVE DAMAGES EVEN IN THE EVENT OF NOTICE OF THE POSSIBILITY OF SUCH DAMAGES.

MUL-T-LOCK® YOUR KEY TO HIGH SECURITY

Basic Instructions and Requirements for Correct Use of Mul-T-Lock® Products

Keys:

Keys must be used only for their intended purpose of operating their corresponding cylinder in normal use.

Keys must be kept clean and must retain a straight blade.

Genuine Mul-T-Lock key blanks must be used.

Keys must be inspected periodically and must be replaced when they show physical wear.

Cylinders:

Installation must be performed by an authorized MulTLock dealer and/or a licensed locksmith only.

A Cylinder is a mechanical device which requires regular preventive maintenance.

Cylinders must not be submerged in water, or exposed to any chemical wash, or be painted.

Protect the cylinder from dirt and dust.

Protect your cylinder from exposure to extreme temperatures (-20C to +80C)

CLIQ® cylinders utilized on any exterior door and/or any other outdoor application must be purchased with rain guard options (sold separately). Failure to specify the nature of the product's application and the need for rain guard option at the time of product purchase shall void the warranty.

The cylinder's keyway must be lubricated with Mul-T-Lock approved lubricant at least twice a year as normal maintenance. In heavy use environments and extreme weather conditions, lubrication must be performed every three months. Increased usage and exposure generally necessitate more frequent lubrication.

V. January 2013

Mul-T-Lock USA, Inc.

www.mul-t-lockusa.com

100 Commerce Way (Suite 2) / Hackensack, NJ 07601

Tel: 973-778-3320

Toll Free: 1-800-MULTLOCK

Fax: 973-778-4007

E-mail: info@mul-t-lockusa.com

Conditions of Sale

All sales made or negotiated with Mul-T-Lock USA, Inc. ("Mul-T-Lock") shall be subject to the Terms and Conditions set forth herein, which may be added to, modified or otherwise altered only in writing, signed by the President of Mul-T-Lock. Failure of Mul-T-Lock to object to any provisions that may be contained in any order or other form of Purchaser shall not be construed as a waiver of these Terms and Conditions or an acceptance of any such provision.

Shipping & Delivery

Unless otherwise agreed to in writing, all Products will be shipped F.O.B. Mul-T-Lock USA, Inc.'s location. Shipping dates provided by Mul-T-Lock are estimates only. Mul-T-Lock reserves the right to make delivery in installments. Purchaser shall assume all risk of loss or damage upon delivery to carrier at the point of shipment, even if other delivery terms are agreed upon.

Choice of Carrier

Mul-T-Lock will ship by carrier and route of its choice to any freight point within the United States. If Purchaser requests on their order that a different carrier or route is required, Mul-T-Lock will try to accommodate. If so, Purchaser will pay the entire amount of all shipping charges.

Shipping Charges; taxes

Shipping and handling are additional and will be shown on the invoice(s) or other documentation. Purchaser will pay for all shipment charges for shipments under \$1200.00 net USD. Mul-T-Lock will pay all shipment charges in advance only for shipments exceeding \$1200.00 net USD and through Mul-T-Lock's choice of carrier, route, and method. The Purchaser is responsible for sales and all other taxes associated with its purchase.

Orders

Mul-T-Lock reserves the right to refuse any Order. Mul-T-Lock may do so through notice in writing of such to Purchaser within fifteen (15) days of Mul-T-Lock receiving the Order.

Special Orders

Mul-T-Lock reserves the right to define and/or redefine any product as a "special order" item (including both those that are listed in this book and those that are not). If an item is deemed by Mul-T-Lock as a special order item, additional charges and minimum order amount requirements will apply.

Changes & Cancellations

Changes can result in delay in the scheduled delivery date. Additions to orders will be entered separately. Special Order items and any Orders that are within thirty (30) days of original receipt of order are not subject to cancellation.

Pricing

The price for the Products shall be Mul-T-Lock's prevailing price at the time the order was accepted by Mul-T-Lock. Mul-T-Lock's price lists are for general information only, and do not constitute a binding open offer by Mul-T-Lock for the sale of Products. Mul-T-Lock reserves the right to make modifications, or changes at any time without prior notice. All Products listed, which incorporate, or include a Mul-T-Lock mechanical cylinder are priced as Keyed Different within their respective platforms, with 2 Nylon Head Cut Keys*, and 1 Key Order Card. *Certain keyways are supplied only with Metal Head Keys. Additional charges for Metal Head key conversions will apply to any keyed products purchased in these particular keyways. E-cylinders are provided without keys (keys may be purchased separately). Dealer discount for all electronic and electromechanical products and keys will vary from dealers' normal discount structure (contact Mul-T-Lock for pricing on these items).

Payment

Unless otherwise agreed in writing, payment should be made in accordance to the payment terms stated on the invoice. If payments are not made when due, buyer will pay, in addition to the overdue payment, a late charge equal to the lesser of 1.5% per month or the highest applicable rate allowed by law on such overdue amounts. Overdue accounts will be assigned to the credit department for all transactions. Once an account has been assigned to the credit department, no order may be taken, entered or shipped without approval from the credit manager.

Possession of Title

The goods shall remain in Mul-T-Lock's legal and equitable ownership until such times as the Purchaser pays to Mul-T-Lock the invoiced price together with the full price of any goods which are subject of any other order placed with Mul-T-Lock and until such payment, Purchaser shall be in possession of the goods in fiduciary capacity as bailee for Mul-T-Lock.

Returns

Mul-T-Lock USA, Inc., normally, will not accept goods for re-stocking unless due to incorrect shipping, Product defects and/or Product warranties. All other returns must be with prior approval of local Territory Manager and the management of Mul-T-Lock USA, Inc. All requests for returns must be submitted, and coordinated with Mul-T-Lock USA, Inc. Purchaser Service Department.

Return Procedure

1. Purchaser must have available, the invoice number, part number, quantity, and state the reason for return, prior to OCR (Order Confirmation-Return) processing.
2. OCR (Order Confirmation-Return) will be issued for pre-approved returns.
3. Mul-T-Lock USA, Inc. will issue a UPS Call Tag only for incorrect shipments, and defective Products.
4. OCR # must appear on the outside of package which is being returned.
5. Copy of OCR, which is provided by Mul-T-Lock USA, Inc., must be placed inside package.
6. Any return which is given to a Mul-T-Lock Representative must be accompanied by copy of the "OCR" which will be provided by Mul-T-Lock USA, Inc. A Mul-T-Lock Representative and an authorized representative of the Purchaser must sign on "OCR" before being returned to Mul-T-Lock.
7. Any return sent without prior authorization will be refused, and sent back to the Purchaser, at the Purchaser's expense.
8. Unauthorized returns will not be accepted. Any unauthorized Products sent to Mul-T-Lock USA, Inc. will be placed in a holding area, and will require the sender to arrange pick-up. If pick-up does not occur within sixty (60) days, merchandise will be destroyed, and no credit will be issued.
9. Upon receipt of return, Products will be inspected, and Purchaser will be informed on course of action.
10. All Product defects and Product warranties will be repaired, or replaced with comparable Product only.
11. If Product defect is found to be due to abuse, misuse or lack of proper maintenance by the Purchaser, Mul-T-Lock will inform the Purchaser on the details of the inspection. Purchaser will be quoted on the costs for repair prior to Mul-T-Lock carrying out any action. If repair request is refused, then Product will be returned to the Purchaser together with an invoice for carriage, and engineer inspection.
12. Mul-T-Lock USA's policy is to issue credit, not money for authorized returned merchandise.
13. There will be a 35% handling/restocking fee on all merchandise returned or refused for reasons other than incorrect shipping, Product defects, and Product warranties.
14. Non-Refundable items include but are not limited to: CLIQ® Cylinders, CLIQ® Keys, and CLIQ® Software, Products which are Keyed Alike, and/or Master Keyed, Key Blanks which are personalized, stamped, or coined, Key Order Cards which are personalized, stamped, or embossed, Product which are not in their original packaging and in saleable condition, All other Products which have been modified, and All special order Products.
15. OCR # is valid for 30 days.

Default of Infringement

In the event that anytime Purchaser is in default of payment or infringing any of these terms, Mul-T-Lock reserves the right to withhold delivery, cancel or terminate any order, and hold Purchaser liable for any damage or expenses incurred by Mul-T-Lock. In addition to the above Mul-T-Lock reserves the right to repossess any goods to which it has retained title as aforesaid and thereafter to sell the same without prejudice to any Mul-T-Lock rights hereunder or otherwise. It is specifically agreed that any proceeds received by Purchaser for sale of goods to a third party shall be held by Purchaser in trust for Mul-T-Lock, until final settlement to Mul-T-Lock.

Trademarks

The Mul-T-Lock name and Muscleman Logo, and any other name, mark, or logo used by Mul-T-Lock and marked by an ® or ™ sign are registered / pending trademarks of Mul-T-Lock Ltd. In various countries. Mul-T-Lock reserves the right to make any product improvements or modifications without prior notice.

Claims

All discrepancies (shortages, incorrect shipments, etc.) must be claimed within ten (10) days after receipt of material. All other requests for returns must be submitted within sixty (60) days of invoice date. Price differences must be submitted for verification within thirty (30) days of original invoice.

Colors and Finishes

We have made every effort to display as accurately as possible the colors and finishes of our products that appear on this price book. However, we cannot guarantee that your actual product's finish will be exactly as it appears in this price book.

General

Mul-T-Lock will not be liable for performance delays or for non-performance, due to causes beyond its reasonable control. Disputes arising in connection with these Mul-T-Lock Terms and Conditions of Sale and Service will be governed by the laws of the state of New Jersey, USA.

NOTES

Ruled area for notes, consisting of 23 horizontal lines.

MUL-T-LOCK FINISHES

Mul-T-Lock products are available in a wide variety of finishes.

FINISH EXPLANATIONS

Cylinder											
Mul-T-Lock Symbol	05	06	09	13	19	22	25	26	30	NS	EB
BHMA Symbol	605	606	609	613	619	622	625	626	630	—	—
US Symbol	US3	US4	US5	US10B	US15	US19	US26	US26D	US32D	—	—
Description	Bright Brass	Satin Brass	Antique Brass	Oil Rubbed Bronze	Satin Nickel	Flat Black	Bright Chrome	Satin Chrome	Stainless Steel	Nickel Satin	Electro Brass

Plugs of cylinders are provided in 05, 26, EB, and NS only.

E-SOLUTION FINISHES

SMARTair® Locks: 26 (Satin Chrome)

Yale® InTouch™: 05 (Bright Brass), 13 (Oil Rubbed Bronze) and 26 (Satin Chrome)

Yale® Real Living™: 05 (Bright Brass), 13 (Oil Rubbed Bronze) and 19 (Satin Nickel)

Code-It™: 26 (Satin Chrome)

GotU®+ DDV: White, Aluminum, & Black. Classic/3130 also offered in Champagne & Gold (Contact Mul-T-Lock for Availability)

PRODUCT FINISH MATRIX

Available Finish	Cylinders (Mortise/Rim)	Cylinders (IC)	Cylinders KIK	Cylinders Deadbolt (Large)	Cylinders (Mogul)	Cylinders (Euro/Scan)	Hercular® Deadbolts & Gate Latch Locks	Anti-Ligature Locks	Cronus® Deadbolts (Single Sided)	Cronus® Deadbolts (Double Sided)	Mortise Locks	TDP and Jimmy Proof (Single-Sided)	Top Guard®	Cronus® Levers & Knobs	Utility/Furniture Locks
Bright Brass (05)	X		X	X		S	X		X	X	X	X		L & K	
Satin Brass (06)	S			S	S	S	S						X		
Antique Brass (09)	X			X		S	Y		X	S					
Oil Rubbed Bronze (13)	X			S		S	Y		X	X				L	
Satin Nickel (19)	X			X			Y	X							
Flat Black (22)	X			S		S	Y*S								
Bright Chrome (25)	X			S			Y*S								
Satin Chrom (26)	X	X	X	X	X	S	X						X	L	
Stainless Steel (30)									X	X				K	
Nickel Satin (NS)			S			X									X
Electro Brass (EB)		S	S			X									S

X=Normally In Stock **Y**=Normally In Stock. Additional charges will apply. **S**=Special Order (Allow 6-8 Weeks for Delivery) cost may vary. Minimum quantity requirements may apply. Call for pricing

* Refers only to Decorative style Hercular® deadbolts.

L=Indicates Normally In Stock Finish for Cronus® Levers **K**=Indicates Normally In Stock Finish for Cronus® Knobs

Other finishes may be available upon special request



Mul-T-Lock USA, Inc. Partner with a Leader

Mul-T-Lock USA, Inc.
100 Commerce Way. Suite 2
Hackensack, NJ 07601

Tel: 973-778-3320
Fax: 973-778-4007
800 - MULTLOCK

www.mul-t-lockusa.com
info@mul-t-lockusa.com



For over 40 years, Mul-T-Lock has been designing, manufacturing, marketing and distributing innovative high security locking solutions to people, places and organizations globally. Adhering to the world's most stringent standards, Mul-T-Lock high security solutions are at work on every continent, in nearly 100 countries, and securing over 100 million users. Using advanced and patented technologies, Mul-T-Lock stays a step ahead of the market by anticipating customers' security and operational needs. As a member of the ASSA ABLOY group and with availability through over 20,000 authorized and trained service centers, customers rely on Mul-T-Lock to provide proven, proactive and protective high security locking platforms.



The Mul-T-Lock name and the musclemen logo, and any other name, mark or logo used by Mul-T-Lock and marked by ® or ™ sign are registered/pending trademarks of Mul-T-Lock Ltd. in various countries. Mul-T-Lock reserves the right to make any product improvements or modifications without prior notice.

An ASSA ABLOY Group brand



ASSA ABLOY