

# Installer Manual

DO NOT GIVE TO HOME OWNER  
FOR PROFESSIONAL USE ONLY



4G Multicom LITE GSM/Cellular Intercom System



**Note: For legal reasons, telephone technical support is for registered and qualified product installers only. Home owners and end-users should contact their installer for product technical support.**

# Contents

Really Important things (site survey)	Pg 3
Overview of outside of product	Pg 4
Overview of Inside	Pg 5
Pedestal Installation	Pg 7
Wall mount installation	Pg 8
Power IN module	Pg 8
Cellular module in detail	Pg 9
Wiring relays	Pg 9
Keypad / Prox module in detail	Pg 10
Connecting slave devices	Pg 10
Inserting SIM	Pg 11
Powering up and LEDs	Pg 11
Installing the Programming APP	Pg 12
Begin Programming a New Install	Pg 13
Begin Programming Existing Install	Pg 12
<b>Programming</b>	
Check Reception	Pg 15
Add a Family	Pg 16
Edit a Family	Pg 17
Activate Auto Sync	Pg 18
Add visitor Access	Pg 18
A closer look at keypad codes	Pg 19
A closer look at Prox cards	Pg 20
A closer look at caller ID	Pg 21
Do not disturb	Pg 22
Access control	Pg 22
Auto Opening	Pg 23
Enquire residents info	Pg 24
Concierge / Help / Assistance Button	Pg 24
More settings	Pg 25
Volumes	Pg 25
Dialling times	Pg 26
Relay times	Pg 26
Information screen	Pg 27
Manager controls of gate/door	Pg 28
Complete list of parameters	Pg 29
Troubleshooting	Pg 32

## Really Important things you Need to Know..



Please read this entire manual before installing this product.



To be installed by certified and qualified personnel / gate automation dealer only. **Not for DIY install!**



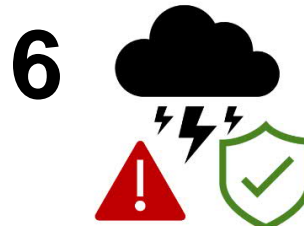
Ensure there is good network signal at the gate/door of the install site **BEFORE** installing this product. (2G/3G/4G Europe, 3G/4G Australia & USA)



Set up on a bench in workshop **BEFORE** going to site. Program the unit in the comfort of your work bench and call technical support should you have questions.

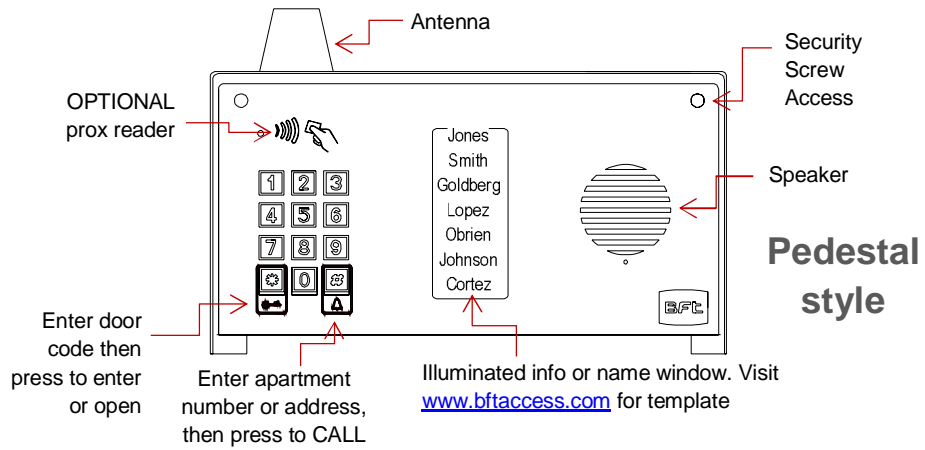


This product requires a SIM.  
The SIM should be a voice and text plan.  
Do not use a DATA only SIM.  
Ensure your SIM has VOLTE if you only have 4G service (HD Voice calling service is enabled).

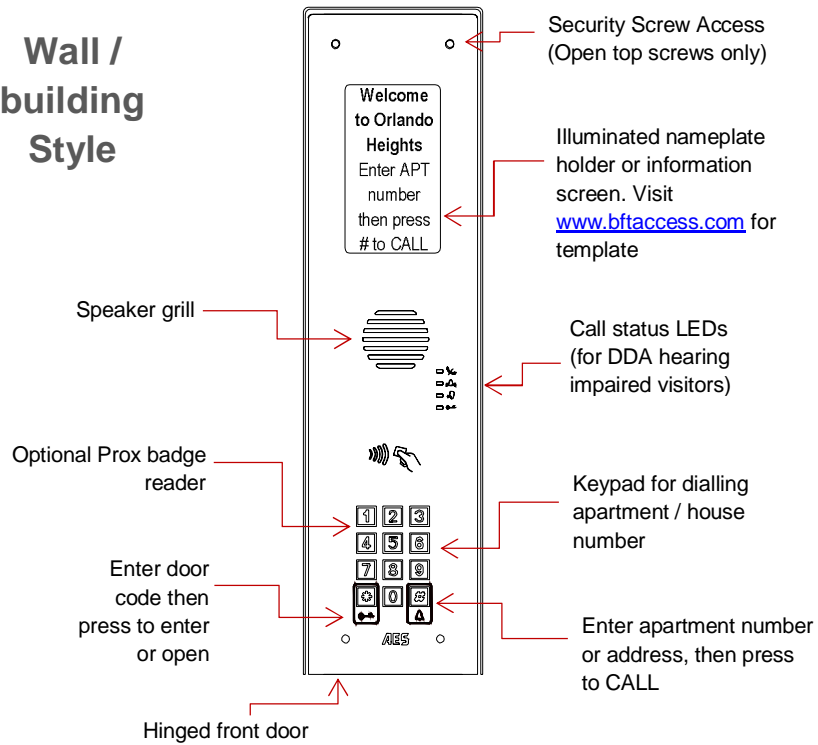


Manufacturer warranty does NOT cover lightning / storm damage. In lightning prone areas, you **MUST** fit external surge protection and lightning rod in order to maintain warranty on this product.  
Evidence of surge protection will be requested on generation of RGA numbers.

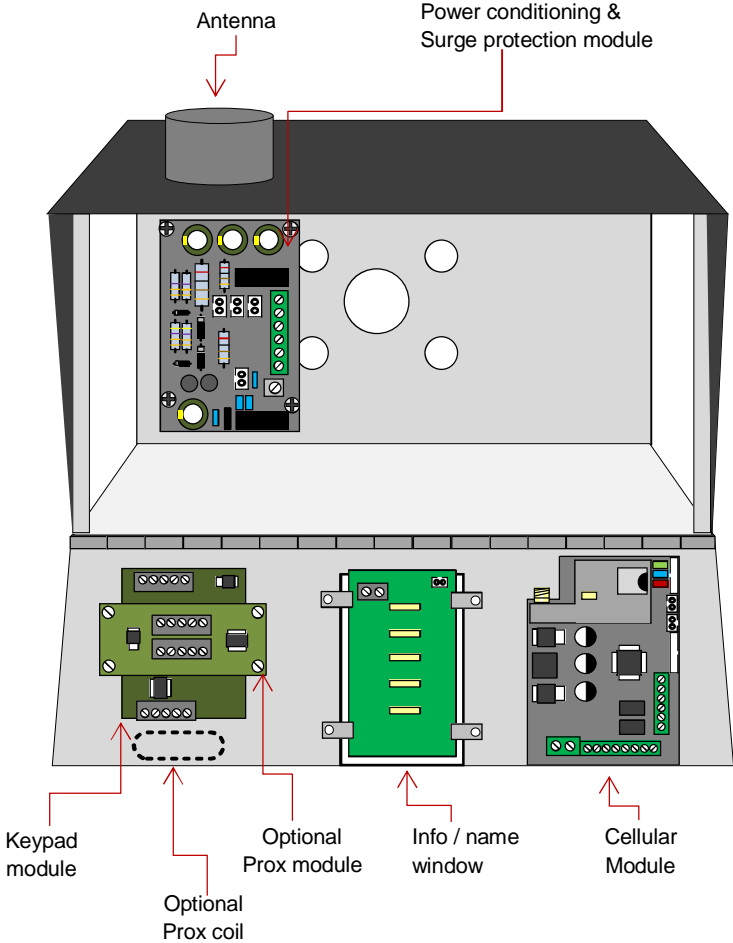
## Now lets have a look around the product...

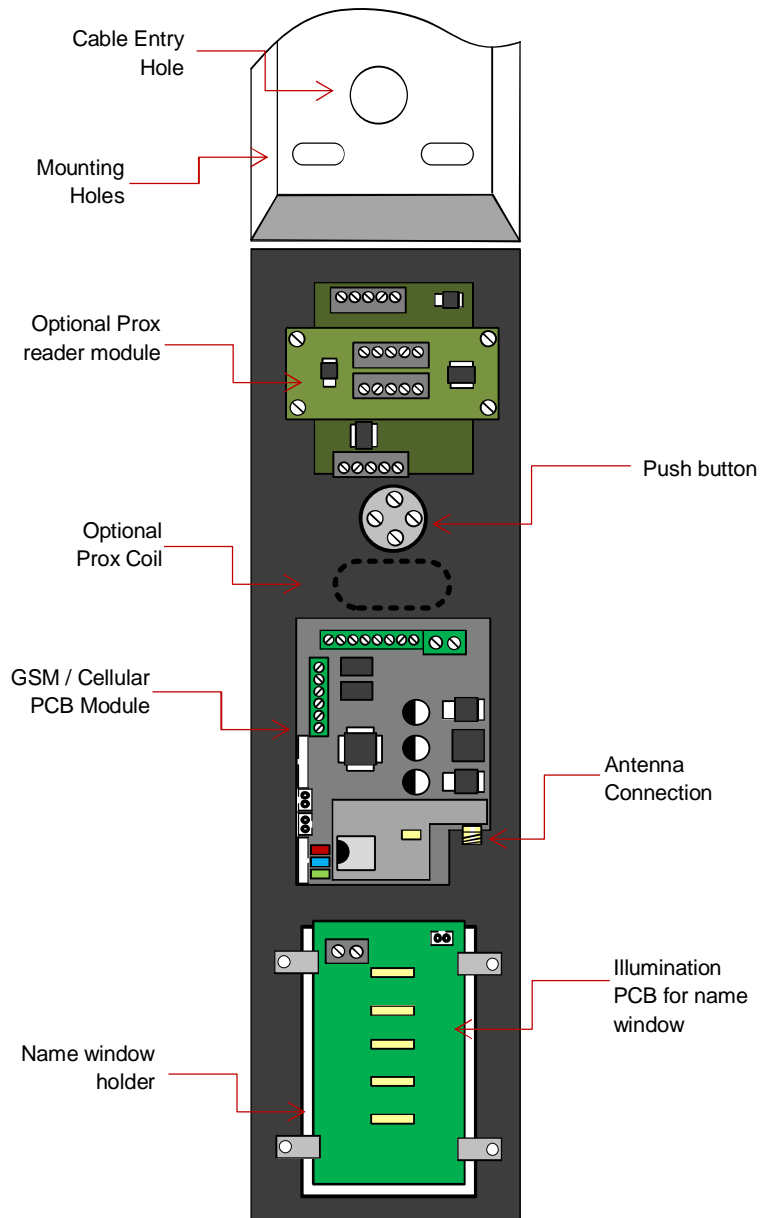


## Wall / building Style

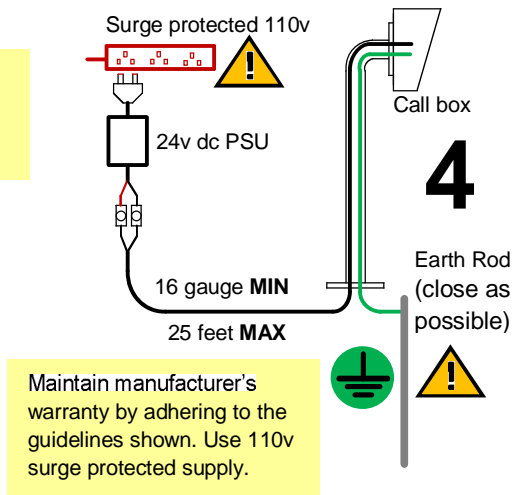
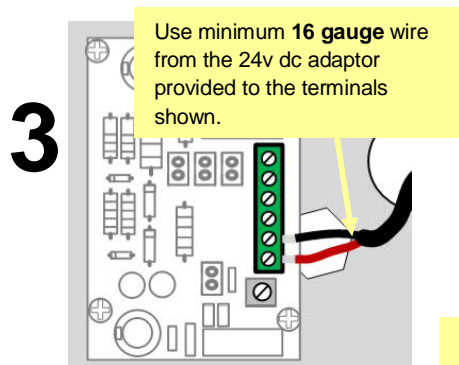
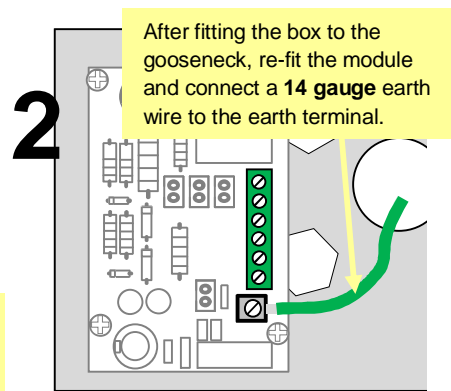
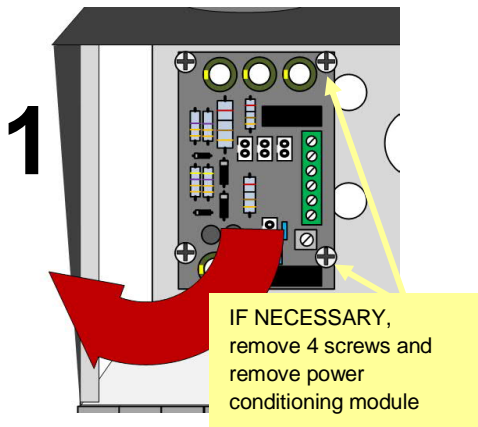


# Overview of Inside...

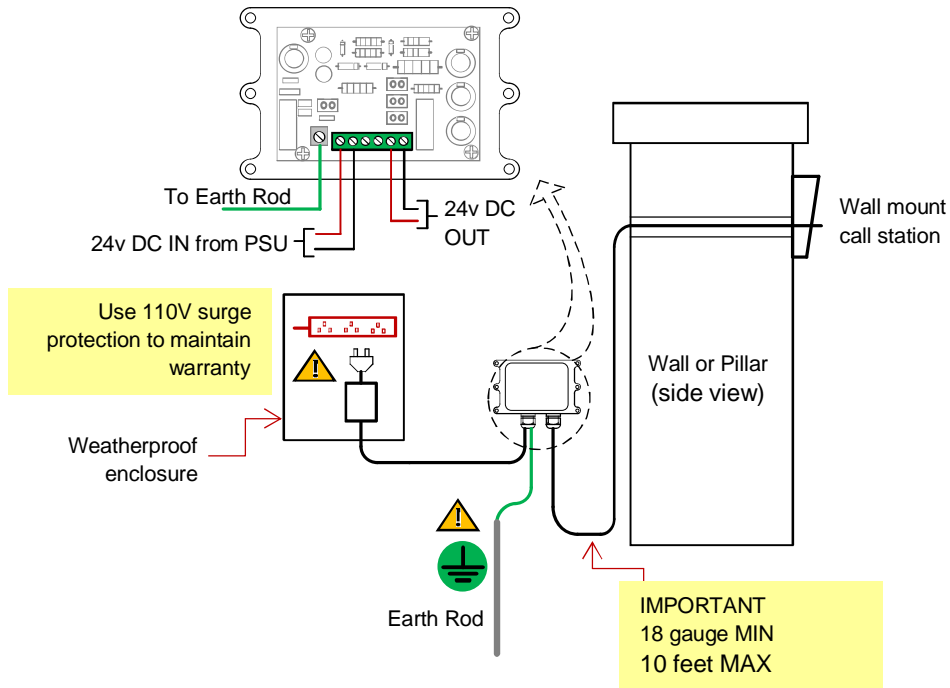




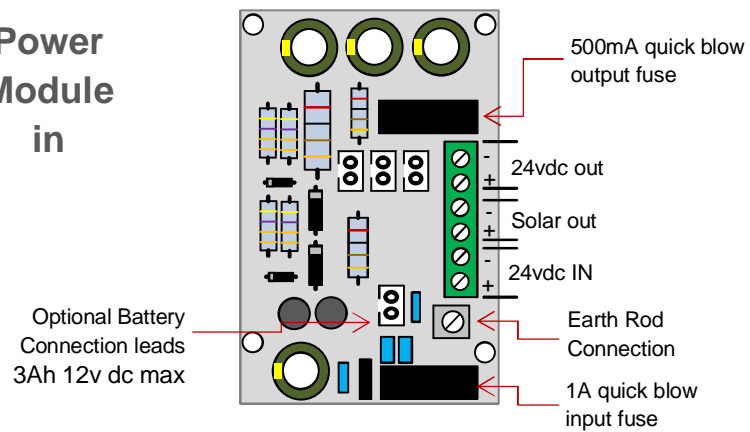
## Pedestal Installation



## Wall Mount Installation

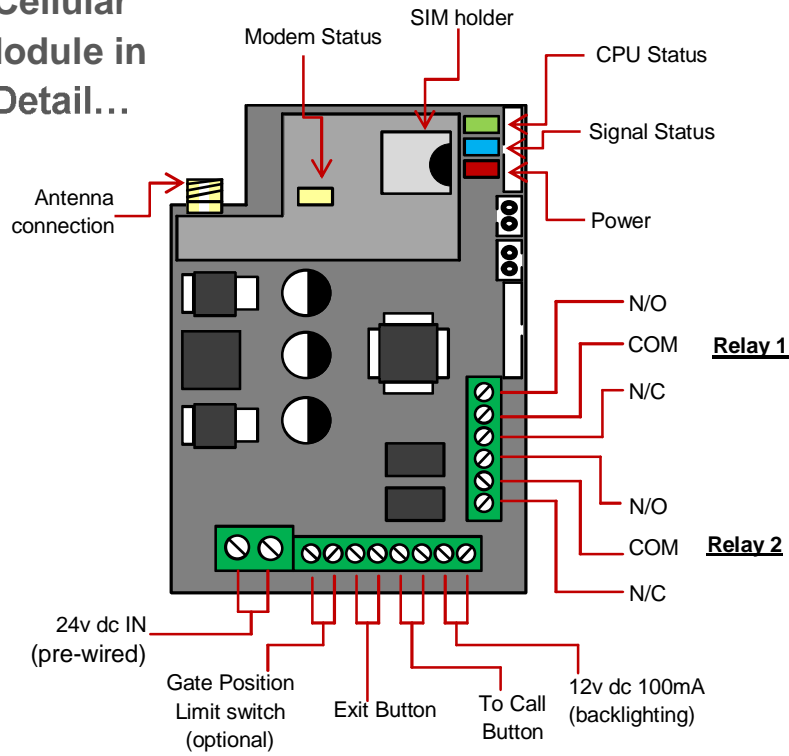


## Power Module in

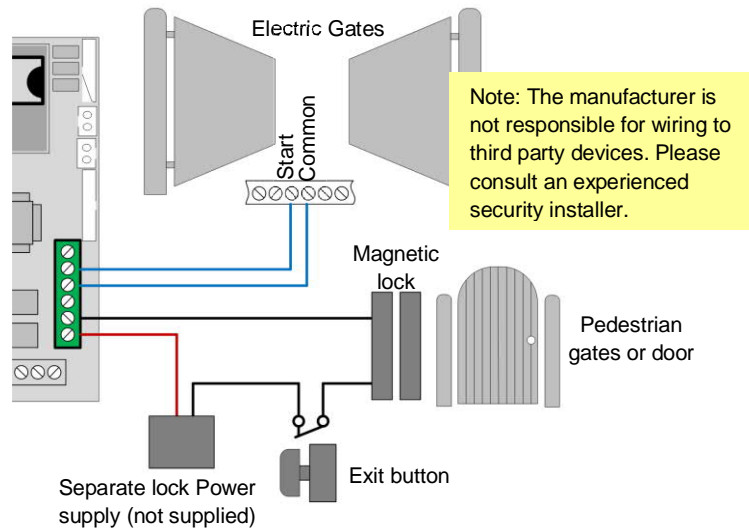


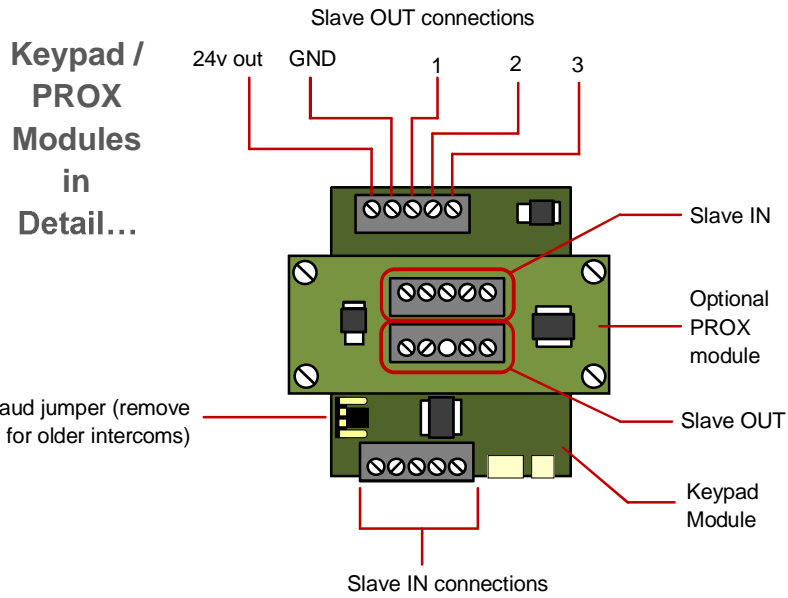


## Cellular Module in Detail...

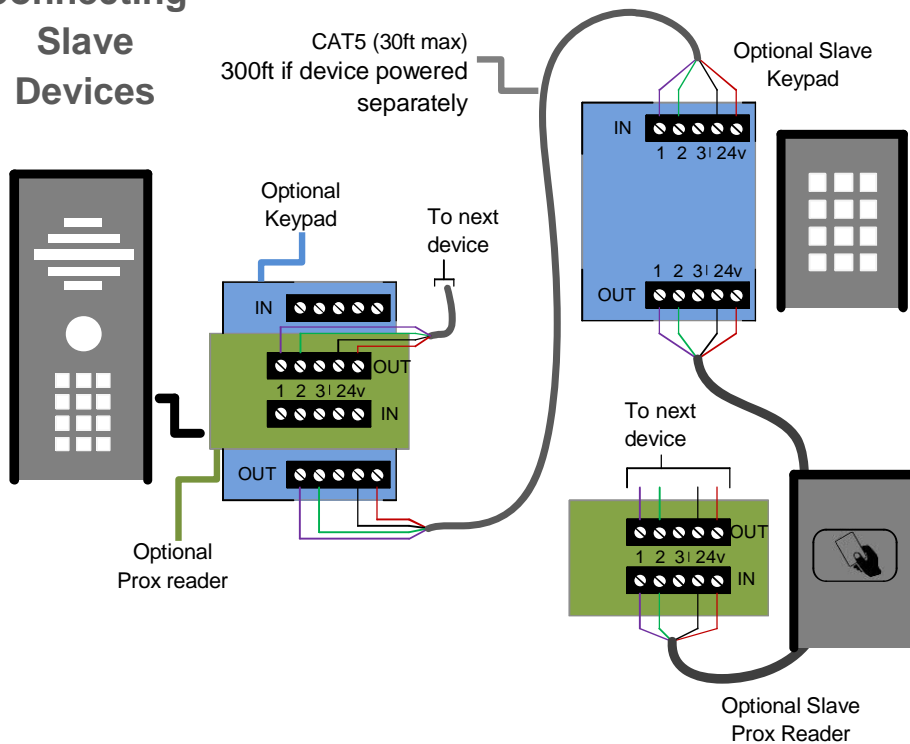


## Wiring Relays





## Connecting Slave Devices



## Inserting the SIM card

45 chamfer OUT  
Pads DOWN

**AT&T Preferred!**

Ensure SIM is activated.  
Pre-pay SIM will need credit first.  
At&T preferred. T-Mobile also compatible in certain areas.

**WARNING**  
Ensure power is OFF. Do not hot insert or remove while power on.

## Powering Up & LEDs

Perform a final check of wiring and ensure the antenna is connected before switching on the power. Once the power is switched on, the power LED should illuminate.

**CPU**  
Flashing = standby  
Constant ON/OFF = busy

**SIGNAL STRENGTH**  
1 flash = poor (1 bar)  
2 flashes = low (2 bars)  
3 flashes = good (3 bars)  
4 flashes = Strong (4 bars)  
5 flashes = searching

**POWER**

**MODEM**  
Flashing = standby  
Constant ON/OFF = searching

## Installing the Programmer APP for the first time

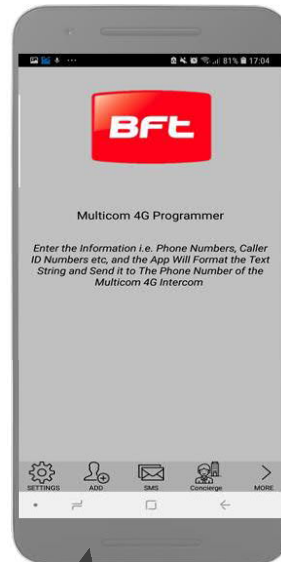
Download the smartphone app to program this unit. Search for BFT MULTICOM 4G and look for the icon below...



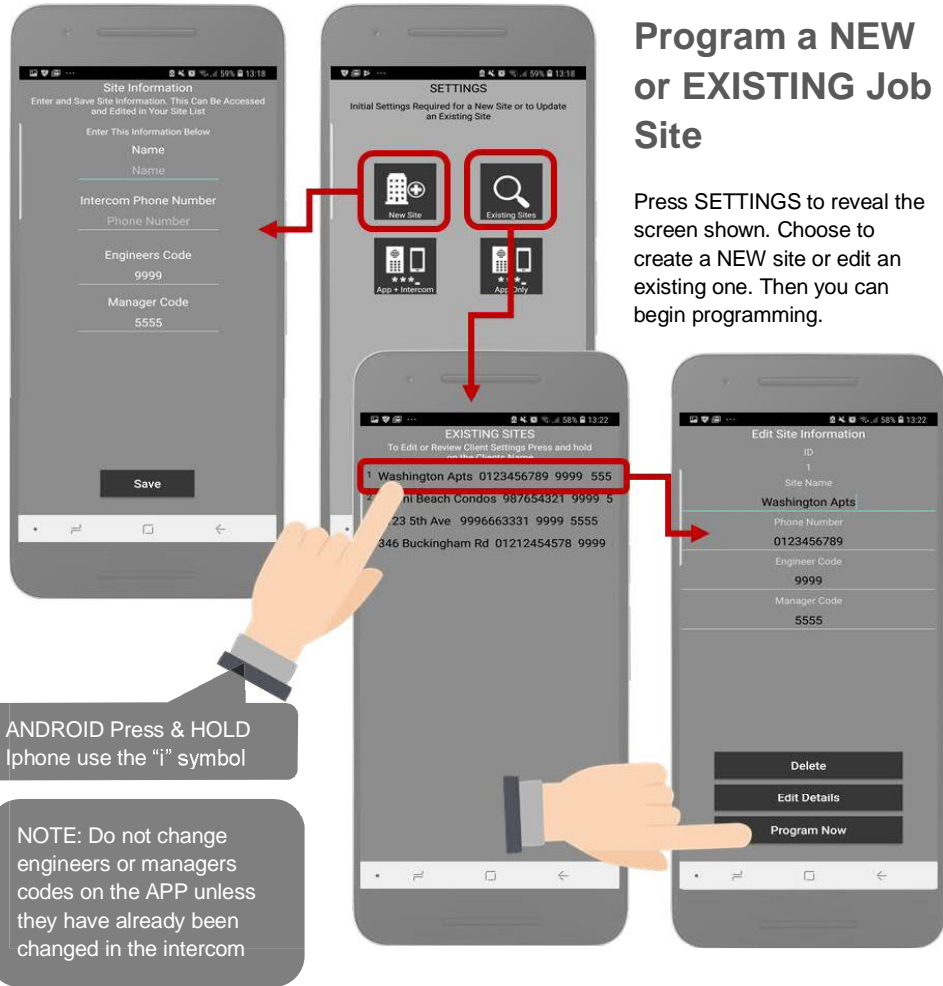
Accept and allow all permissions (Android version shown)



To register first time, enter your name, email and cell phone number.

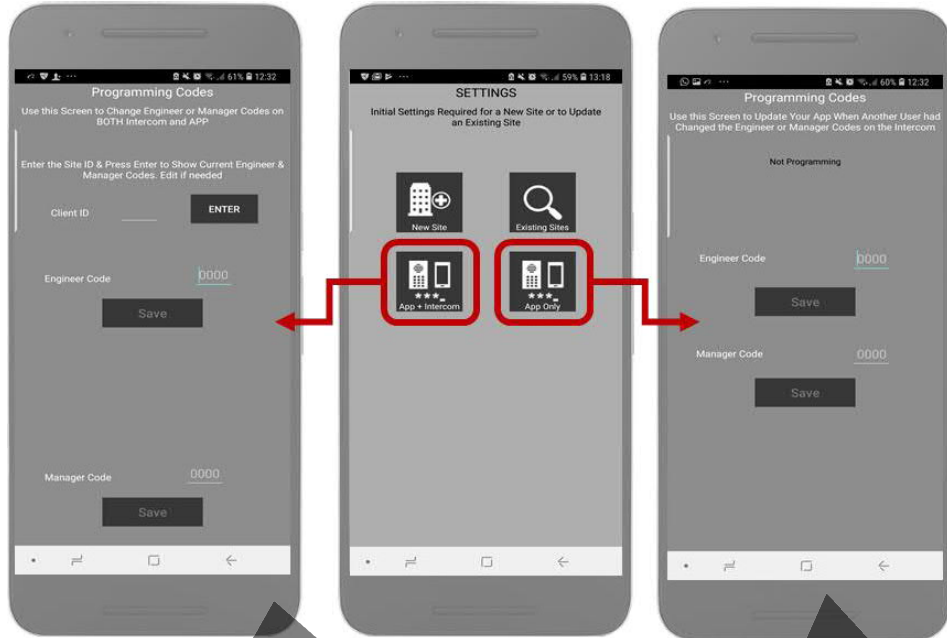


After you send the registration email, go back to the app screen & press SETTINGS



**Now you are ready to begin programming!**

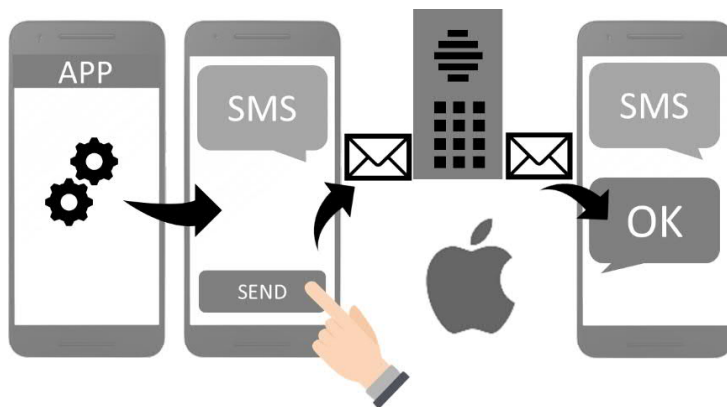
## Select or Create a new Job Site



**App AND Intercom Update**  
Use to change either the manager or engineer programming codes on BOTH the intercom and the APP.

**App ONLY update**  
Use to update the APP, typically when another user has changed the programming codes on the intercom from another phone.

Note: This app sends SMS programming strings to the intercom as shown and it should reply with OK message. On iPhones, due to restrictions by Apple, you must confirm the SMS as shown. Android devices will auto send the SMS in the background.



## Programming

Now that you have either entered a new client, or selected an existing client from the client list, you are now ready to begin programming.

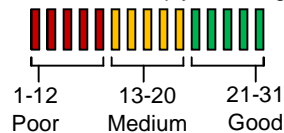


### Step 1: Check Reception

Go to MORE>INFORMATION to reveal the screen shown. Press the reception check button. On Android the app will automatically send a SMS string (\*20#) to the intercom.

**On iPhone, users will be taken to their SMS screen to confirm before sending the string.**

The intercom should reply with a signal level between 1 & 31.



For good performance, signal level should be at least 13 or better on 3G or 4G and 14 or better on 2G.

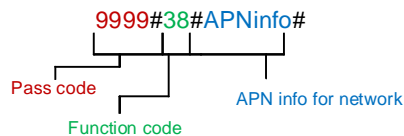
**TIP:** If signal is lower than recommended, then take IMMEDIATE action. Change network if possible, or use an optional high gain antenna. Check power cable is within recommended specification. (Poor power cable can lower reception).



### Step 1B: Set APN (for VOLTE / 4G voice calling)

This feature may need to be set in order to make 4G voice calls with At&T or one of the At&T resellers. Check the APN of your provider and then enter it in the blue section below and send as SMS to the intercom. For At&T cards from the store, you can use "nxtgenphone".

If you are using a Tracfone provided SIM, then set the APN to "RESELLER".



### Step 1C: Reboot the Intercom

The intercom will need to be rebooted in order to log on to the network with the new APN which you have stored. If you send another reception check (\*20#), you may find that if it was on 3G signal strength before, that it is now on 4G signal.

## Step2: Add a Family (up to 100)

Add up to 3 numbers for a family or resident, one code, and up to 3 proximity cards (Note: cards have serial numbers printed on them which can be added to the fields as shown).

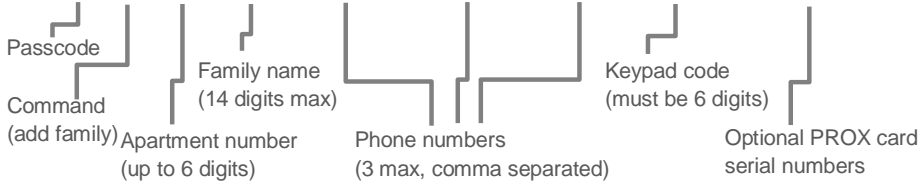
Select Multi for multi family system

Note: Keypad codes for residents MUST BE 6 DIGITS LONG!

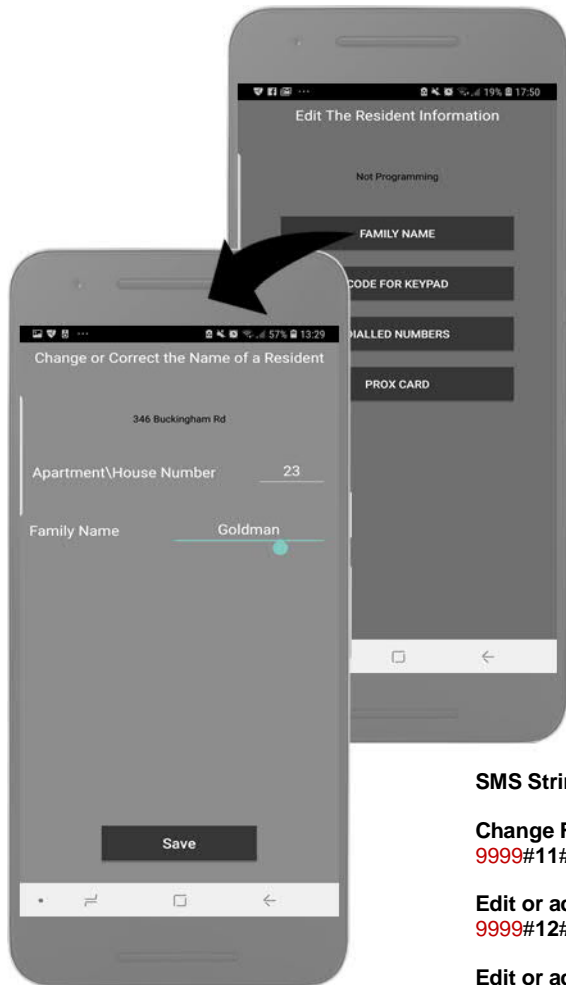
**Add Optional Prox Cards**  
Add card by serial number as shown.

### SMS String:

9999#10#12345#Jones#987654321,987654321,987654321#123456#serial,serial,serial#







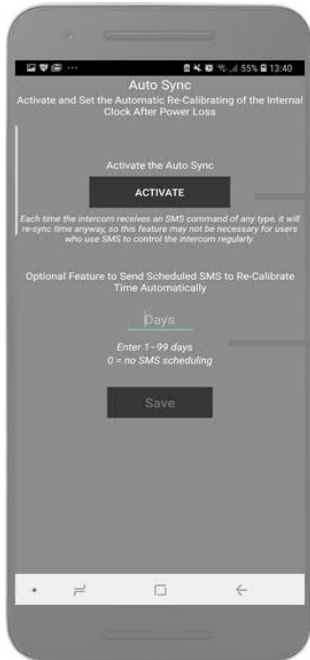
## Step2b: Edit family Details if needed

Edit just the name, phone numbers, prox cards or pin code individually for any family with the following buttons..

- Edit or add family Prox Card 1**  
9999#16#apartmentnumber#serialnumber#
- Edit or add family Prox Card 2**  
9999#16#apartmentnumber#serialnumber#
- Edit or add family Prox Card 3**  
9999#16#apartmentnumber#serialnumber#

### SMS Strings

- Change Family Name**  
9999#11#apartmentnumber#newname#
- Edit or add first Phone Number**  
9999#12#apartmentnumber#phonenumber#
- Edit or add second Phone Number**  
9999#13#apartmentnumber#phonenumber#
- Edit or add third Phone Number**  
9999#14#apartmentnumber#phonenumber#
- Edit or Add Family Door Code**  
9999#15#apartmentnumber#doorcode#
- Delete a Family & all details**  
9999#25#apartmentnumber#



### Step3: Activate Auto Sync

If you are using time sensitive features, such as time restricted access control, or auto opening and closing of gates at pre-set times of the day and week, then it is important to activate the auto sync. This intercom reads the current date and time from an incoming SMS message and re-calibrates its time from that.

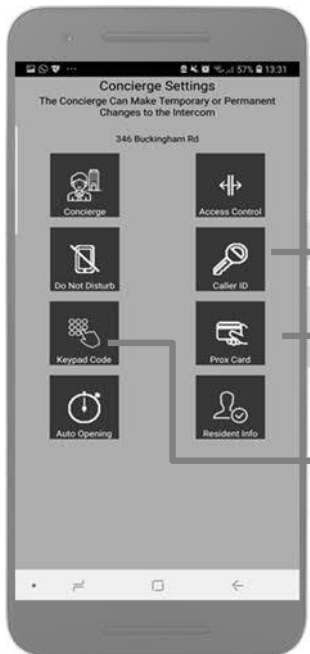
Activating this button sends the intercom its OWN SIM card phone number. The intercom will then send ITSELF an SMS after a power loss to re-establish correct time.

Use this feature to have the intercom send itself a SMS on a schedule. This is useful to maintain proper time for summer daylight saving for example. NOTE: Network charges may apply for SMS messages. Check with your provider.

#### SMS Strings

**Store Intercom OWN phone number for time sync after reboot**  
 9999#54#SIMphonenumber#

**Activate Scheduled SMS**  
 9999#55#days# (00=no SMS, 01=daily, 02=every 2 days etc)



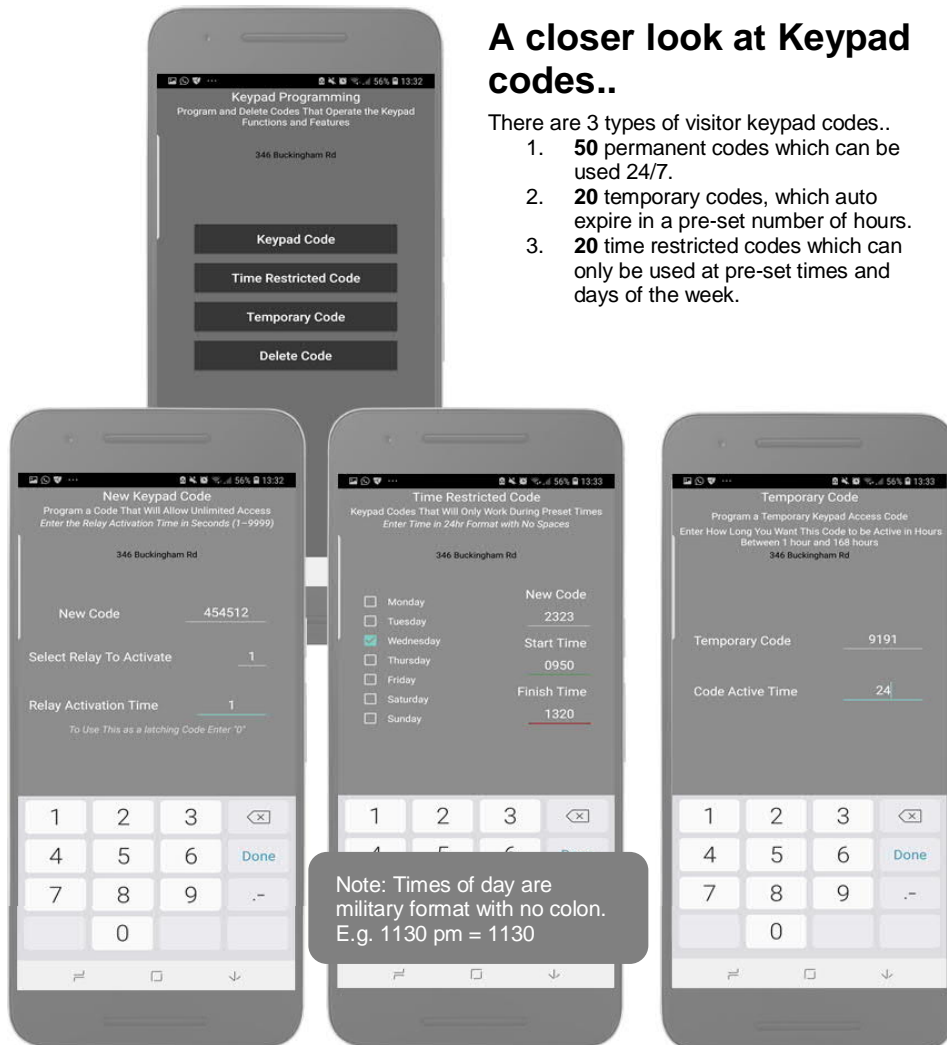
### Step4: Add visitor access

You can add visitor keypad codes, or visitor caller ID access, and proximity cards for any visitors who are non-residents.

CallerID (enter by calling intercom and CLIP caller recognition)

Proximity card access for visitors

Keypad code access for visitors



## A closer look at Keypad codes..

There are 3 types of visitor keypad codes..

1. **50** permanent codes which can be used 24/7.
2. **20** temporary codes, which auto expire in a pre-set number of hours.
3. **20** time restricted codes which can only be used at pre-set times and days of the week.

### SMS Strings

#### Store permanent code

9999#81#code#time# (code can be 4 digits, time = relay time in secs from 1-99. 0 = latch code)

#### Store temporary code

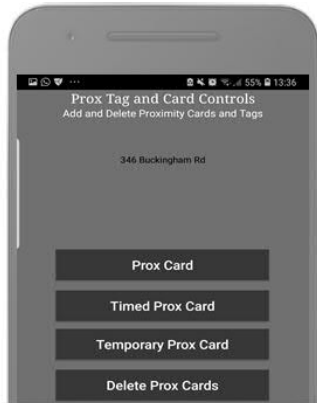
9999#82#hours#code# (hours = number of hours a code is active for, from 1 – 999 hours)

#### Store time restricted code

9999#83#day,day,day#time1,time2# code# (day=mon,tue,wed,thu,fri etc. Time1=start time, Time2= end time. Code = 4 digit keypad code)

#### Delete Code

9999#84#code# (delete a known code) or 9999#84#\*# (delete all stored codes)



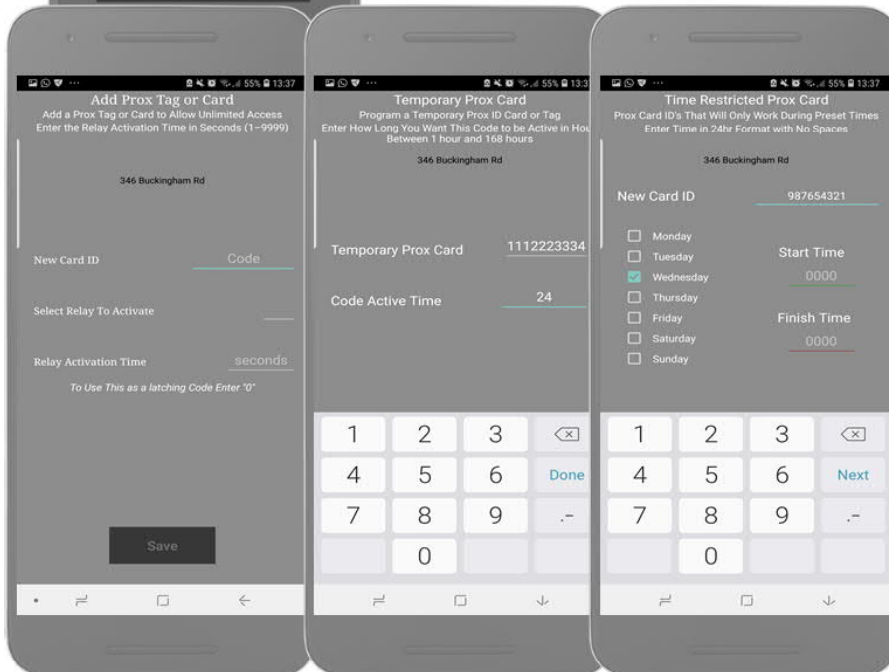
## A closer look at Prox cards

There are 3 types of visitor cards..

1. **50** permanent cards which can be used 24/7.
2. **20** temporary codes, which auto expire in a pre-set number of hours.
3. **20** time restricted codes which can only be used at pre-set times and days of the week.



Cards have a 10 digit serial number printed as shown. Enter this to add a card.



### SMS Strings

#### Store permanent code

9999#61#code#time# (code can be 4 digits, time = relay time in secs from 1-99. 0 = latch code)

#### Store temporary code

9999#62#hours#code# (hours = number of hours a code is active for, from 1 – 999 hours)

#### Store time restricted code

9999#63#day,day,day#time1,time2# code# (day=mon,tue,wed,thu,fri etc. Time1=start time, Time2= end time. Code = 4 digit keypad code)

#### Delete Code

9999#64#code# (delete a known code) or 9999#64#\*# (delete all stored codes)

## A closer look at CallerID

### IMPORTANT:

All resident phone numbers that are stored can automatically have callerID access without having to store the numbers in this section again. Go to CONCIERGE/ACCESS CONTROL to activate CallerID for all residents.

There are 3 types of CallerID access for VISITORS:

1. 50 visitor phone numbers with 24/7 access.
2. 20 visitors with temporary access (expires automatically after pre-set time)
3. 20 time restricted phone numbers which can only be used to gain access at pre-set times and days of the week.



### SMS Strings

#### Store permanent callerID phone numbers

9999#71#Y#phonenum#time# (Y=1 or 2 for relay 1 or 2. Time = seconds relay is activated)

#### Store temporary phone number

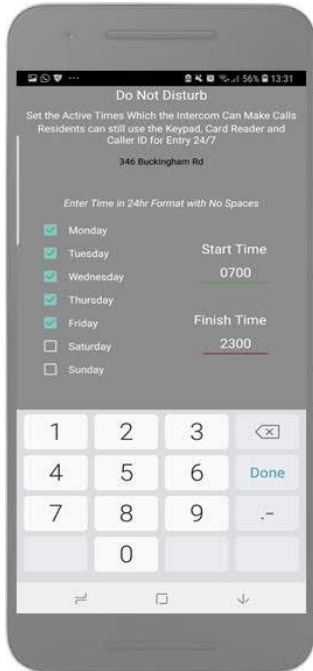
9999#72#hours#phonenum# (hours = 1-999 hours then this number is auto deleted again)

#### Store time restricted phone number

9999#73#day,day,day#time1,time2# phonenum# (day=mon,tue,wed,thu,fri etc. Time1=start time, Time2= end time)

#### Delete Phone number

9999#74#code# (delete a known code) or 9999#74#\*# (delete all stored visitor numbers)



## Do Not Disturb

On this screen you can prevent residents receiving calls from visitors after a set time at night. This can be useful if there are antisocial callers or residents do not want disturbed at weekends.

Enter time in 24hr format, no colon. Eg 8.20am = 0820. 11.40pm = 2340.

Visitors can receive calls BETWEEN the START and FINISH times only on the days selected.

### SMS Strings

**Enter Concierge / help or assistance number**  
 9999#56#**phonenumber**#

**Delete Concierge / help or assistance number**  
 9999#56##

**Set ringing time to call number**  
 9999#57#**XX**# (XX = seconds, default = 20)



## Access Control

If residents are to be able to use callerID to open the gate or door, then enable here. Take care, as residents can miss-dial the intercom in error!

Enable if residents should be able to latch or hold open gates or door. This is not recommended on larger installs as frequently a gate can be latched in error and result in a service call.

Quick delete a resident and all details.

### SMS Strings

**Enable callerID for residents**  
 9999#35#**X**# (X=0 to disable. X=1 to enable)

**Enable latching ability on received calls by residents**  
 9999#36#**X**# (X=0 to disable. X=1 to enable)

**Quick Delete a resident to prevent access**  
 9999#25#**apartment**#



## Auto Opening

You can use the internal time clock feature to hold open gates at pre-set times and days of the week. For gates that are on step by step operation, set trigger times to activate opening and closing. For auto-closing gates, set LATCH times to open, and then set separate UNLATCH times to close again. Up to 9 SMS event messages can be sent in total.

Toggle between trigger, latch and unlatch

Enter time in 24hr format, no colon. Eg  
8.20am = 0820. 11.40pm = 2340.

### SMS Strings

**Delete all automatic relay events**  
555##

### Add Auto opening / closing times

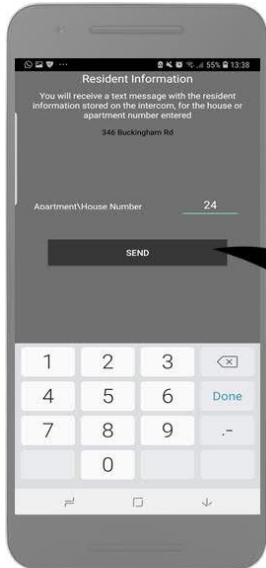
555#X#day,day,day,day#time#

Manager Pass code

- 1= Relay 1 trigger
- 2= Relay 1 latch
- 3= Relay 1 unlatch
- 4= Relay 2 trigger
- 5= Relay 2 latch
- 6= Relay 2 unlatch

Time in 24hr format. No colon. E.g. 11.15pm = 2315

Add days, 3 digits, e.g.  
mon,tue,wed,thu,fri,sat,sun.  
Separated by comma.



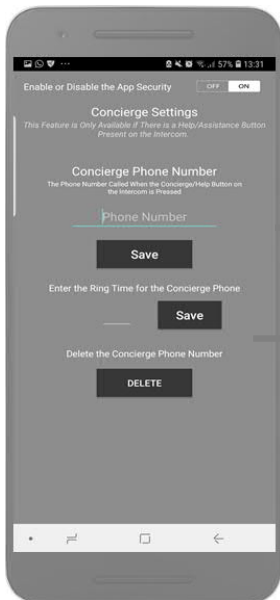
## Enquire Resident Info

Enter the apartment or house number and the intercom will reply with all data, numbers and codes stored against that resident.



### SMS String

**Enquire resident**  
 9999#26#apartment#



## Concierge / assistance

Used in panels with a HELP / Assistance or concierge button.

- Enter a number here which will be called when a visitor needs assistance. Useful for car parks and barriers etc.
- Calling time to ring the assistance number before cancelling and ending the call.

### SMS Strings

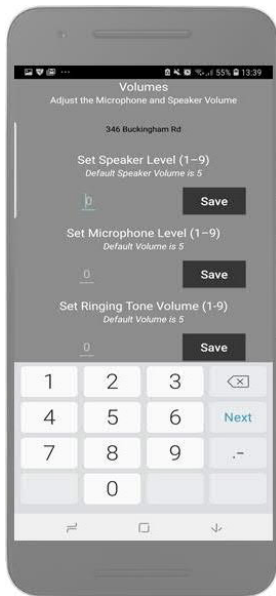
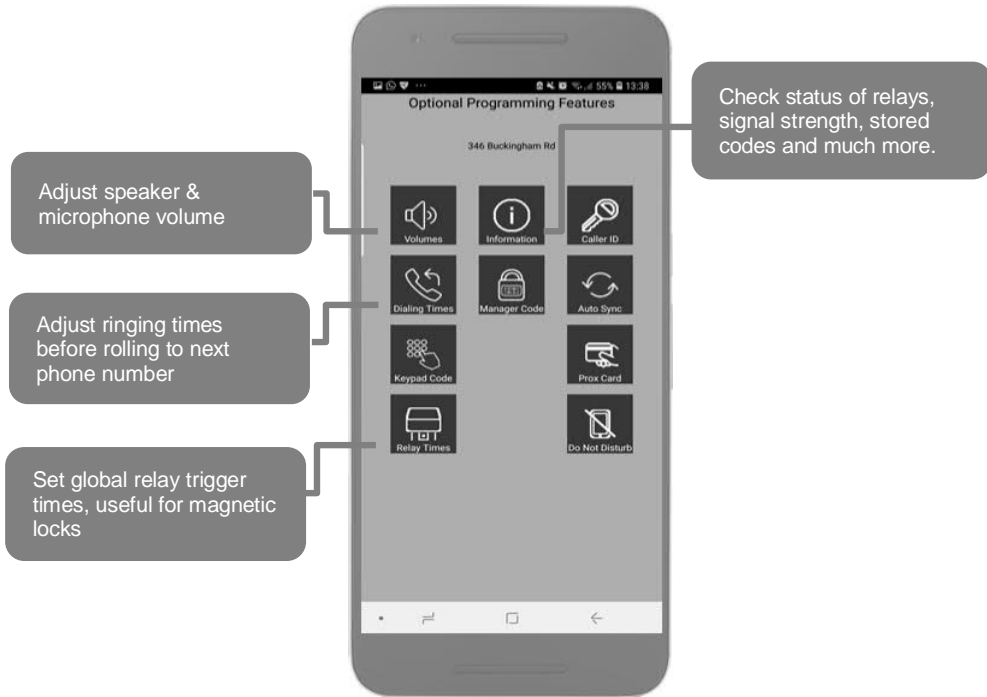
**Enter Concierge / help or assistance number**  
 9999#56#phonenumber#

**Delete Concierge / help or assistance number**  
 9999#56\*#

**Set ringing time to call number**  
 9999#57#XX# (XX = seconds, default = 20)



## More Settings Screen



## Volumes

If residents experience significant echo, reduce the microphone and speaker levels as low as possible. Default setting = 5. Range = 1-9.

## SMS Strings

### Set Speaker Volume

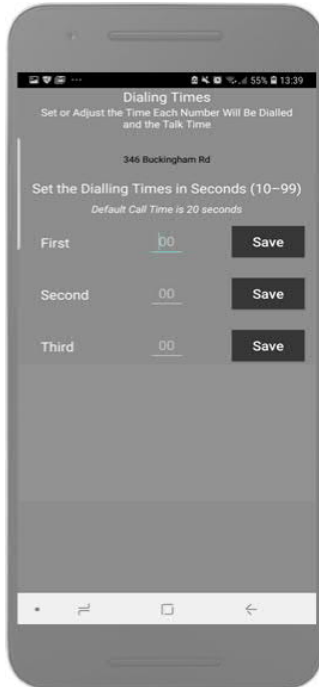
9999#30#X# (X = 1-9, default = 5)

### Set Microphone Volume

9999#31#X# (X = 1-9, default = 5)

### Set ring tone Volume (not used yet)

9999#32#XX (X = 1-9, default = 5)



## Dialling Times

Use these to adjust the ringing time the intercom will call a number before it will stop and call the next. This is useful to avoid voicemail from picking up a call.

Default dialling time is 20 seconds (from button press)

### SMS Strings

#### Set first ringing time

9999#21#XX# (Default = 20. Range = 1-99)

#### Set second ringing time

9999#22#XX# (Default = 20. Range = 1-99)

#### Set third ringing time

9999#23#XX# (Default = 20. Range = 1-99)

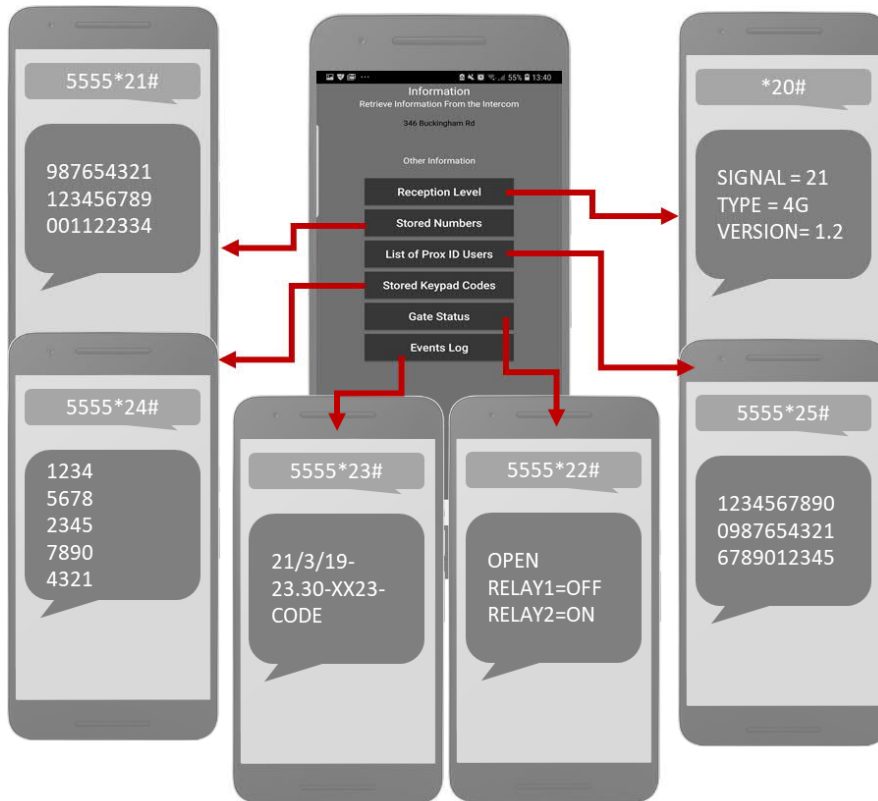


## Relay Times

Adjust relay times to suit perhaps a magnetic lock that requires a 7-10 second unlock time to allow pedestrians time to press the door and open.

Default relay time is 1 second.

## Information Screen



This screen allows the engineer or manager to be able to check multiple things on the intercom.

Please note the following points..

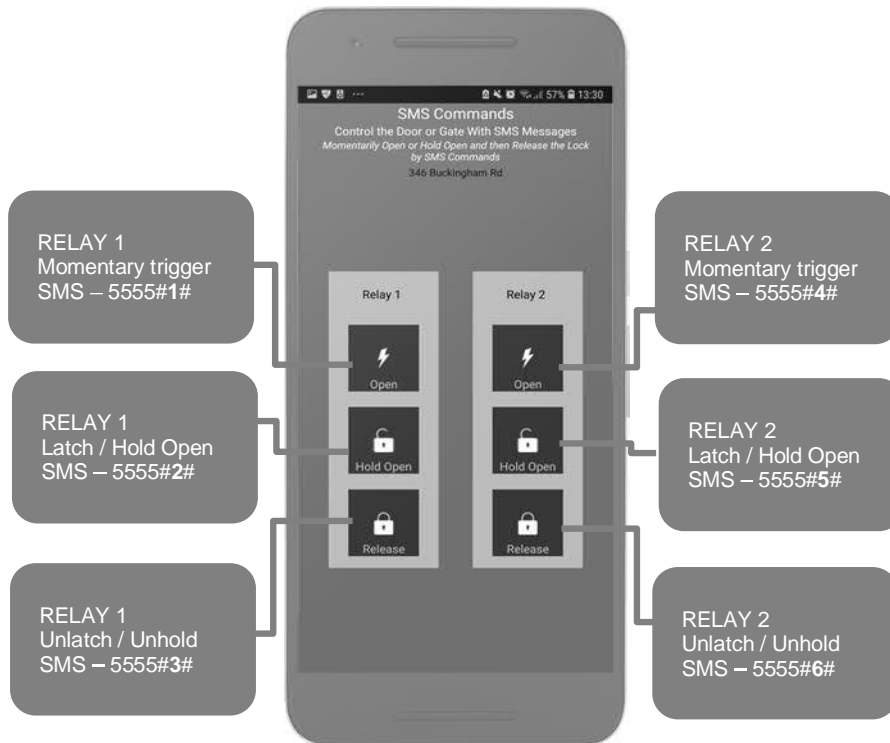
-5555 is the default managers code shown.

-Stored callerID numbers, keypad codes and prox users are VISITOR credentials only. These do not list RESIDENT credentials. To do that, enquire on each resident individually in the appropriate screen.

In the activity log screen, each event is stored under a code. For example if a visitor uses caller ID to open the gate, it will be shown as date – time – number – CID. If a keypad code is used, it will be shown on the next line as date – time – pin number – CODE.

## Manager Controls of Gate / Door

This screen allows the installer or manager to manually trigger the gate.



### Complete list of parameters

The table below show the complete list of features. **Programming messages below must begin with 9999# (assuming 9999 is still the programming passcode)...**

**Edit a family name**

9999#11#12345#Jones#

**Edit or add family number**

9999#12#12345#number# (edit first dialled number)  
9999#13#12345#number# (edit second dialled number)  
9999#14#12345#number# (edit third dialled number)

**Edit a family door code**

9999#15#12345#code#

**Edit or add a family card**

9999#16#12345#serial#  
9999#17#12345#serial#  
9999#18#12345#serial#

**Set ringing time to call first number**

9999#21#XX#

**Set ringing time to call second number**

9999#22#XX#

**Set ringing time to call third number**

9999#23#XX#

**Delete a family and all details**

9999#25#12345#

**Enquire details on a family**

9999#26#12345# (This will reply with all the details stored about this apartment).

**Set Speaker Volume**

9999#30#X# (X=1-9)

**Set Mic Volume**

9999#31#X# (X=1-9)

**Enable / Disable caller ID for residents**

9999#35#1# (1=ON, 0=OFF. Default=0)

**Enable / Disable latching ability by residents**

9999#36#1# (1=Enabled, 0=Disabled. Default=0)

**Change Engineers programming code**

9999#40#XXXX# (Default 9999)

**Change managers user code**

9999#41#XXXX# (Default 5555)

**Change Relay 1 trigger time**

9999#50#XXXX#

**Change relay 2 trigger time**

9999#51#XXXX#

**Store intercom own phone number for AUTO self SMS sending on reboot.**

9999#54#XXXXXXXXXX#

**Activate auto SMS sending (to re-calibrate time every day)**

9999#55#XX# (0=off, 1=SMS every day, 2=SMS every 2 days etc)

**Store phone number for manager / concierge / assistance call button to call when pressed**

9999#56#XXXXXXXXXX#

**Delete manager phone number**

9999#56\*#

**Store ringing time for manager / concierge / assistance phone number**

9999#57#XX#

### **SMS control messages**

Either engineer or of manager can control the relays by SMS but users cannot.

9999#1# - Trigger relay 1

9999#2# - Latch relay 1

9999#3# - unlatch relay 1

9999#4# - Trigger relay 2

9999#5# - Latch relay 2

9999#6# - Unlatch relay 2

Same commands can be carried out with 5555 passcode.

**To store a visitor code (50 max)**

9999#81#1#code#time# (time=relay trigger time, 1-99 seconds)

**To store a temporary visitor code (20 max):**

9999#82#hours#code# (hours is number of hours code is active for, max 999 hours)

**To store a time restricted visitor code (20 max):**

9999#83#day,day,day,day,day,day,day#time1,time2#code#

**To delete a visitor code:**

9999#84#code#

**To delete all visitor codes:**

9999#84\*#

**To store visitor caller ID number (50 max)**

9999#71#Y#telephone# (Y=1 for relay 1, 2 for relay 2)

**To store visitor temporary called ID number (20 max)**

9999#72#hours# telephone # (hours is qty of hours the caller ID number can work for 999 max)

**To store a visitor time restricted caller ID number (20 max)**

9999#73#day,day,day,day,day#time1,time2#telephone#

**To delete a visitor caller ID number:**

9999#74#number#

**To delete all visitor caller ID numbers:**

9999#74##

**To store prox card (50 max)**

9999#61#Y#serial# (y = 1 or 2 for relay 1 or 2)

**To store temporary visitor Prox card (20 max)**

9999#62#hours#serial# (hours can be up to 999 max)

**To store time restricted prox card (20 max)**

9999#63#day,day,day,day,day#time1,time2#serial#

**To delete a prox card:**

9999#64#serial#

**To delete All prox card:**

9999#64##

**SMS Checking messages**

\*20# (check reception, version and date etc)

5555\*21# (Check stored visitor caller ID numbers only. Do not check stored family numbers).

5555\*22# (Check gate status)

5555\*23# (shows last 20 events)

5555\*24# (Check stored visitor keypad codes)

5555\*25# (Check stored visitor prox cards)

**To Add an automatic relay event**

5555#1#day,day,day#time#

**To delete all auto relay events..**

5555##

**To set Do Not Disturb Times**

9999#90#day,day,day#time1,time2#

**Enter optional out of hours number (after times set above, all calls will divert to this number instead:**

9999#91#telephone#

**To delete this number again**

9999#91##

**Complete restore defaults on unit**

9999#99#

## Troubleshooting guide

**Q. The unit will not power up. No LEDs on.**

A. Check power supply voltage at intercom is 23.4v DC or more. Cable length from PSU to intercom should be less than 25 feet and in 14 gauge for longer distances. See guide. Check the fuse.

**Q. The unit powers up but is not showing network reception or will not respond to SMS.**

A. This means the unit is not able to detect the network for some reason.

-Power off the unit, remove the SIM and check it in a mobile phone to verify it can make a call and has calling credit.

-Disable any PIN code request if active on the SIM card.

-Check the SIM is a standard voice capable SIM. If you are unsure, contact your SIM card provider to verify. Compatible networks are At&T and T-Mobile.

-Check the reception is medium or good. Poor reception is not sufficient.

-Power off, remove the SIM, use fine sand paper to lightly sand the SIM pads and contacts on the GSM unit, lightly bend the contacts upwards so that they make better contact with the SIM and try again.

**Q. The unit calls the first number, but there is not enough time to answer before it diverts to the next number.**

A. Increase the no answer time as per programming instructions.

**Q. The unit calls the first number but voicemail comes on before it can ring the second number.**

A. Decrease the no answer time as per programming instructions.

**Q. The caller ID part does not work.**

A. Residents have Caller ID disabled by default. Ensure this is activated if you want residents to use caller ID. If your number is a private or number withheld, then it will not work.

-Ensure the number is entered as you would normally dial it from another phone.

-For US customers, ensure the numbers have been entered with a leading 1. If this does not work, try again without the leading 1.

**Q. There is no audio from the gate, but the person at the gate can hear ok.**

A. This can be due to low reception or excessively long power cables.

-Check reception level by \*20#.

-Change SIM card if necessary to another network which may have better coverage.

-Purchase a high gain antenna.

This may also be caused by a defective microphone, water on a microphone from a sprinkler for example, or dirt/insects blocking the microphone hole. If reception is optimum and the problem persists, contact your supplier or installer.

**Q. The audio quality that can be heard on the remote telephone is poor or humming (buzzing).**

A. A small amount of GSM buzz can be considered normal on GSM intercoms, but not so much that causes inability to hear the person speaking. This is a symptom of poor reception. Try above steps on checking and improving reception. Consider fitting an external high gain antenna. Move



the antenna further away. Remove any short bends in the antenna. Ensure the spare antenna cable is not rolled up inside the call station.

**Q. The trigger keys do not work when the intercom calls a phone.**

A. Check if you can hear the relay clicking at the gate when the keys are pressed during a call. If it can be heard, then the system is working, check wiring between the relay and the lock or gate panel. If the relays do not make a clicking sound, then check this feature on a different mobile cell phone or landline. If it works on a different phone, check the settings on the phone in question under DTMF tones.

Failure of DTMF tones to operate correctly is also a symptom of low reception or insufficient power cabling. Check steps above on improving reception or addressing the power problem.

-Also check that the relays are not already latched with the \*22# command. If they are latched, they need unlatched before the trigger keys will work.

-Sometimes excessively long power cables or thin power cables can cause this problem. Prove it by connecting a temporary extension lead and the power supply directly to the unit.

**Q. The system was operating the gates fine, but now it will not trigger the gates.**

99% of the time, this is caused by the user accidentally latching the relay. This latches the output relay permanently on. Send the intercom the following SMS \*22#. The intercom should reply with a message detailing the relay status. If it has been latched, then the message will state "the relay is ON". In this case refer to the user guide to read how to unlatch it again.

**Q. The unit no longer calls out to phones but I can make a call to it from my phone.**

A – Check there is balance on the SIM card.

A – Switch off the power, remove the SIM, put it into a phone, and check that a call can be made from a phone. This will verify if the SIM is still working and in service.

**Q. The Android App shows an error message “Command Failed” when I try to use a function.**

A – Go to phone settings/application manager/cellbox prime/permissions, and ensure all permissions are turned ON. Also ensure the app settings screen has a valid phone number stored.

## Change History

Key:

P = Panel version    H = Hardware PCB version    S = Software version

Version			Reason for change	Date
P	H	S		
1	1	2.6		

## Warranty Terms

Please note, by installing this product, you are accepting the following warranty terms:

1. The manufacturer's warranty is a "return to base" 2 year warranty from date of manufacture. This means that any suspected defective components or items are returned to the manufacturer's agent for investigation and diagnosis, and returned at the cost of the customer.
2. The warranty does not cover, nor is the manufacturer or agent responsible for any of the following whatsoever: Storm damage, lightning or surge damage, flooding, accidental damage, vandalism or deliberate damage, un-explained corrosion or unusually harsh environments, failure of telephone networks, future un-interoperability between the product and network providers which cause mal-function due to changes implemented by the phone providers after manufacture of the product, or that which is outside of control of the manufacturer (e.g. 2G, 3G switch off, removal or inability to obtain VOLTE service), and damage due to not proper installation.
3. The manufacture in no way accepts liability for any of the following incurred due to a product defect: Cost of attending site, inconveniences, labour rates, time lost, loss to or damage to property, security breaches, late payment clauses or breaches of any contracts between the installer and the client.
4. This is a profession install product only. The product is a component of an overall system. Therefore, it is the responsibility of the installer to certify the safety and compliance of the overall finished system. As soon as this product is fixed to another item, or connected to another third-party device, then the product has been modified, and compliance with local regulations in the country of install is strictly the responsibility of the installer.
5. Re-stocking fees may apply to items returned that are found to be non-defective. Complete units will also attract a re-stocking fee if returned for credit, regardless if a defect is discovered or not. Re-stocking fees may vary depending on the condition of the item being returned, and whether it can be determined as in brand new condition. The warranty terms do not entitle customers to an automatic full refund. For more details on returns procedures and re-stocking fees, contact the agent.
6. Items with physical signs of surge damage are not covered by warranty. Items without visible signs of surge damage will only be covered by warranty provided photographic evidence is provided from site showing surge protection has been installed as per instructions in this manual.



FCC ID: 2ALPX-PE-4GA  
Main Model No: PRIME6-PROX-IMPX-PE-4GA

Caution: This device complies with part 15 of the FCC Rules. Operation is subject to the following two conditions: (1) This device may not cause harmful interference, and (2) this device must accept any interference received, including interference that may cause undesired operation.





**Note: For legal reasons, telephone technical support is for registered and qualified product dealers only. Home owners and end users should contact their local dealer for product technical support.**