

# NUVICO®

## HD<sup>o</sup>CS™ Bullet Camera CT-1M-B55



### Key Features

- 1/3" CMOS Sensor
- 720p, HD-TVI
- 5~50mm, VF Lens
- Day/Night(ICR)
- 4 Power IR LEDs
- IR Illumination - up to 300ft.
- OSD Setup Menu
- DWDR / DSS / 3DNR
- DC12V / AC24V

### Construction

- Service Monitor Output - SD Analog(CVBS)
- External Lens Adjustments
- Outdoor / Metal Housing

### Mounting Accessories

- CT-WM100 / Wall Mount
- CT-JB100 / Junction Box

### Applicable Products

- DT-E400 / 4-ch HD-TVI DVR
- DT-E800 / 8-ch HD-TVI DVR
- DT-E1600 / 16-ch HD-TVI DVR

### Accessories

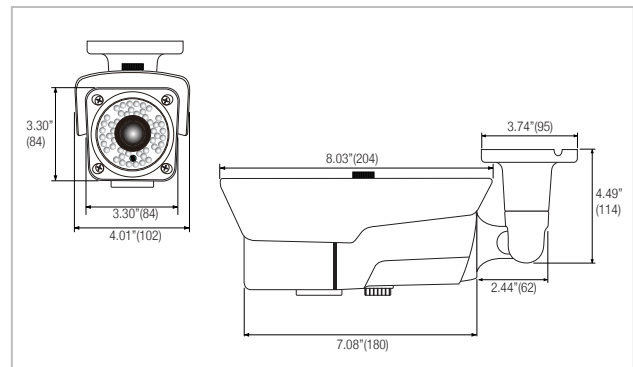


### Technical Specification

<b>HDoCS™ Bullet Camera</b>	<b>CT-1M-B55</b>
<b>Resolution</b>	720P over Coax
<b>Image Sensor</b>	1/3" CMOS
<b>Day/Night Functionality</b>	Yes w/ICR
<b>Lens Type</b>	5 ~ 50mm VF Lens
<b>Angle of View</b>	91° (W) ~ 28° (T)
<b>IR LEDs</b>	4 (Power LED)
<b>IR LEDs Distance</b>	Up to 300ft.
<b>Electronic Shutter</b>	1/60 ~ 1/30000 Sec
<b>Minimum Illumination</b>	1.0 Lux (Color), 0.001 Lux (IR LEDs On)
<b>Service Monitor Output</b>	1.0 Vp-p Composite, 75 ohm
<b>General Information</b>	<b>CT-1M-B55</b>
<b>Operating Temperature</b>	-20° F ~ 140° F
<b>Operating Humidity</b>	Within 90% RH
<b>Power Consumption</b>	14W / 1 Amp (LEDs On), 8W / 500mA (Camera Only)
<b>Input Voltage</b>	12VDC / 24VAC Dual Voltage

\*Specifications are subject to change without any prior notice.

### Dimensions (inch:mm)



# CT-1M-B55