

# NUVICO®

## HD Indoor Dome - ONVIF EC-2M-D39N - ONV



### Key Features

- 1/3" CMOS Sensor
- 2MP (1080p)
- 3 ~ 9mm, Motorized Vari-focal Lens
- Digital Noise Reduction: DNR
- Back Light Compensation: BLC
- Auto White Balance: AWB
- Service Monitor Output
- Built-in PoE / 12VDC
- Remote Zoom/Focus Over Network
- ONVIF Profile-S

### Construction

- 3" Polycarbonate Bubble
- 3-Axis Gimbal
- Surface Mount Housing
- Ivory Plastic Housing
- Compact Size

### Available Accessories

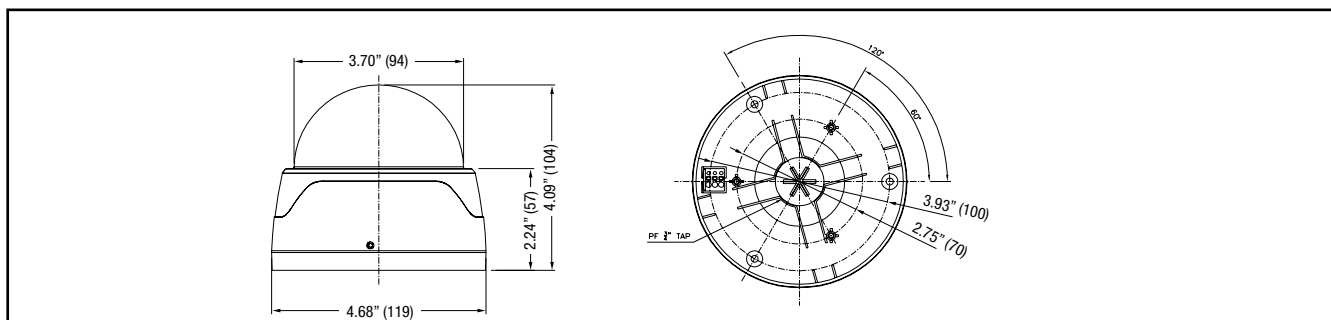
- CA-ORC: Service Monitor and OSD Controller Cable

### Technical Specification

HD Network Indoor Dome	EC-2M-D39N-ONV
Resolution	2MP (1080p)
Image Sensor	1/3" CMOS
Day/Night Functionality	No
Lens Type (DC Auto Iris)	Vari-focal 3 - 9mm (Motorized)
Angle of View	93°(W) ~ 31.7°(T)
Video Compression	H.264 / MJPEG
Frame Rate	30fps
Shutter Speed	1/30 ~ 1/20,000 sec.
Service Monitor Output	1.0 Vp-p Composite, 75 ohm
Minimum Illumination	2.5 Lux (Color), 0.2 Lux (B/W)
Composite Output	Yes
Micro SD Slot	TBD
Power Over Ethernet (PoE)	IEEE 802.3af compliant
Camera Control & Setup	OSD Menu
General Information	<b>EC-2M-D39N-ONV</b>
Operating Temperature	32°F ~ 113°F (0°C ~ +45°C)
Operating Humidity	Within 90% RH
Power Consumption	6W / 500mA
Input Voltage	12VDC Voltage

\*Specifications are subject to change without any prior notice.

### Dimensions (Inch:mm)



# EC-2M-D39N-ONV