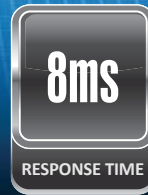
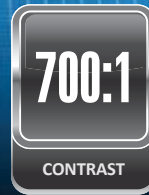


RACK MOUNT READY



15RCR

BUILT TO RUN 24 X 7 X 365 CONTINUOUSLY

OVERVIEW

The ORION Images 9RCRD, 15RCR, 17RCR and 19RCR LCD CCTV monitors with Tilt capability are designed with a Metal Cabinet and LCD Protective Glass for use in harsh environments ready to be installed into rack mount cabinets. The RCR series is ideal for Factory Control Rooms, Automotive, Marine, Industrial Panel PC, and special Kiosk applications.

FEATURES

- Industrial Electronic Galvanized Iron Cabinet
- 1024 x 768 @ 75Hz Resolution, 300 Nits, 700:1 Contrast Ratio
- BNC Video 1 In / 1 Out, HDMI In 1 In, VGA 1 In, Audio 1 In, PC Stereo 1 In
- 2D Comb Filter
- 1W x 2 Built-In Speakers
- 6U Rack Mounting Form Factor



SPECIFICATIONS

15RCR	
Display	
Screen Size	15 Inch
Max. Resolution	1024 x 768 @ 75Hz
Pixel Pitch	0.297 x 0.297mm
Brightness	300cd/m ²
Contrast Ratio	700 : 1
Aspect Ratio	4 : 3
Viewing Angle (H/V)	160° / 160°
Display Color	16.2 Million
Response Time	< 8ms
Video System	NTSC / PAL
Interface	
Video In / Out (BNC Type)	1 In / 1 Out
HDMI In	1 In
S-Video In	0 In
VGA In (15 Pin D-Sub)	1 In
Audio In (RCA Type)	1 In
PC Stereo In	1 In
Transmitter	
Remote Control	N/A
Audio	
Built-in Speakers	Yes (1W x 2)
Features	
Filter Type	2D Comb Filter
LCD Protection Glass	N/A
Multi Language	English, Spanish, French, German, Italian
General	
Outline Dimension (W x H x D)	18.98" x 10.39" x 2.87"
Net Weight	4.3Kg (9.5 lbs)
Material / Color	Electronic galvanized iron / Black
Desk Top Stand	Kick Stand
Part / Labor	3year / 3year
Consumption: < On	< 25W
	AC100 ~ 240V(50/60Hz)
Electrical Ratings	DC12V / 3A
Operating Temperature	0° ~ 40° C / 32° ~ 104° F
Storage Temperature	-20° ~ 60° C / -4° ~ 140° F
Mounts	
VESA™ Mount Size	100 x 100mm
Wall	WB-5, WB-10, WB-30, WB-31
Ceiling	CMK-01
Form Factor	6U Rack Mounting
Mount Type	Tiltable Rack Mount

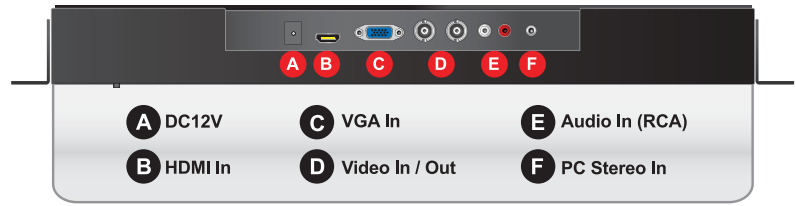
Design and specifications are subject to change without notice

TILT CAPABILITY

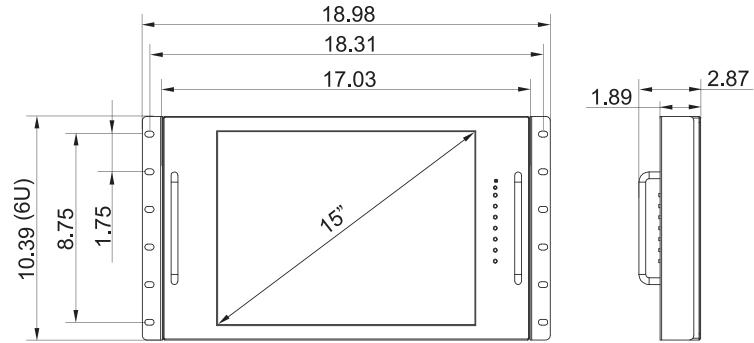
RCR series has flexible tiltable rack mount capability



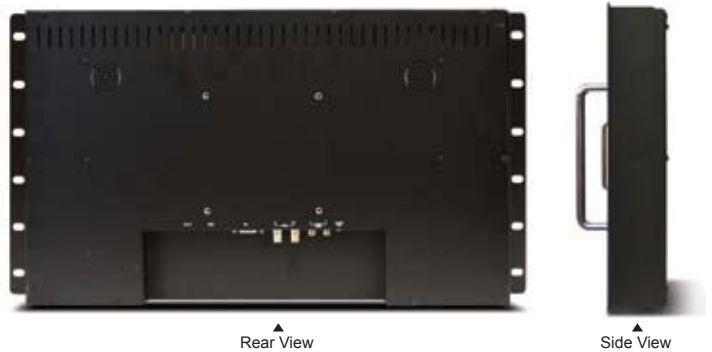
INPUT INTERFACE



DIMENSIONS



OTHER VIEW



OPTIONAL MOUNTS

