



SPECIAL FEATURES

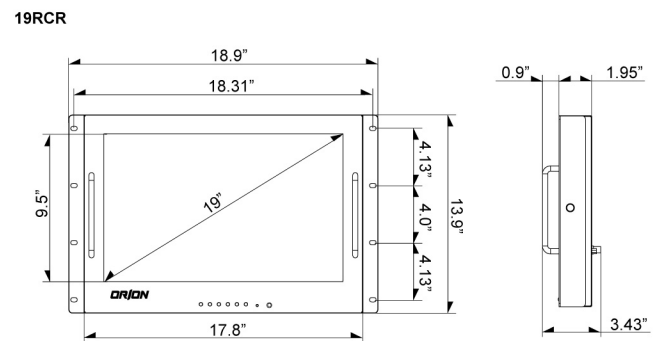
- 1280 x 1024 @ 75Hz Maximum Resolution
- 0.294 x 0.294mm Pixel Pitch
- Metal Cabinet with Chrome Handles
- Multi-Source Connectivity
- 3D Comb Filter, Deinterlace
- Built-In Speakers
- Tilt Capability
- BNC Video 1 In / 1 Out, S-Video 1 In / 1 Out, VGA 1 In, Audio 1 In, PC Stereo 1 In

SPECIFICATIONS

		19RCR
Display	Screen Size	19 Inch
	Max. Resolution	1280 x 1024 @ 75Hz
	Pixel Pitch	0.294 x 0.294mm
	Brightness	250cd/m ²
	Contrast Ratio	800 : 1
	Aspect Ratio	5 : 4
	Viewing Angle (H/V)	160°/ 160°
	Display Color	16.7 Million
	Response Time	< 5ms
	Video System	NTSC / PAL
Interface	Video In / Out (BNC Type)	2 / 2
	S-Video In / Out	1 / 1
	VGA In (15Pin D-Sub)	1
	Audio Input (RCA Type)	1
	PC Stereo In	1
Transmitter	Remote Control	Yes
Audio	Built-in Speakers	Yes (2W x 2)
	Filter Type	3D Comb Filter / Deinterlace
Features	Multi Language	English, Spanish, French, German, Italian
	Outline Dimension (W x H x D)	18.9" x 13.9" x 3.43"
Dimension	Net. Weight	6.35Kg (14.0lbs)
	Material / Color	Metal / Black
Cabinet	Tilt Function	Yes
	Part/Labor	2year / 2year
Warranty	MTBF (Approx.)	50,000 Hours
	Regulations	RoHS, TUV NRTL, CB, FCC(A), CE-Emc(LVD)
Power	Consumption: < On	< 42W
	Electrical Ratings	AC100 ~ 240V(50/60Hz) DC12V / 3.5A
Circumstance	Operating Temperature	0 ~ 50°C / 32 ~ 122°F
	Storage Temperature	-20 ~ 60°C / -4 ~ 140°F
Mounts	VESA™ Mount Size	100 x 100mm (BS M4 x 8 m Screw)
	Mount Type	Rack Mount Ready

*Design and specifications are subject to change without notice

DIMENSIONS



TILT DIRECTION



Front View w/ Tilt



Side View



Rear View