

FULL HD 1080p

LED

IP NETWORK MONITOR



<p><b>1080p</b></p> <p>Full HD</p>	<p><b>LED</b></p> <p>Back Light</p>	<p>Ethernet Port</p>	<p>WiFi Connect</p>	<p>USB Input</p>	<p>PIP / PBP</p>	<p><b>PIXEL</b></p> <p>Auto Pixel Shift</p>	<p>Metal Chassis</p>
------------------------------------	-------------------------------------	----------------------	---------------------	------------------	------------------	---	----------------------

# 23IREDP

BUILT TO RUN 24 X 7 X 365 CONTINUOUSLY

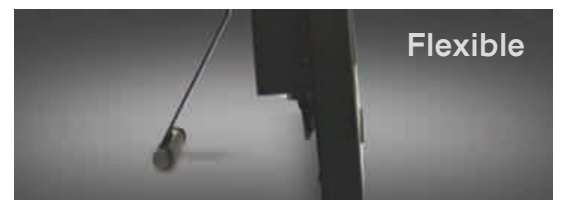
## OVERVIEW

The ORION Images released a new 23 inch network CCTV monitor with built-in Android 4.2 OS, Quad Core RK 3188, Cortex A9, 8GB internal memory and snap shot\* capability.

## FEATURES

- WiFi 802.11b/g/n Wireless
- Support RJ45, 10/100M LAN Network
- LED BLU (Back Light Unit) Display Monitor
- PIP / PBP Multi Display Function
- 3D Comb Filter / Deinterlace, Noise Reduction, Advanced Auto Power Recovery, Auto Pixel Shift, Auto Source Sequencing, Trigger Source Switching, Multi-Language Support
- Ethernet 1 In, WiFi Antenna, USB 2 In, BNC Video 2 In / 2 Out, S-Video 1 In / 1 Out, VGA 1 In, Component 1 In, DVI-D 1 In, HDMI 2 In, Audio 2 In, PC Stereo 1 In
- Built-In Speakers
- Wall and Ceiling Mounts
- 1920 x 1080p Full HD
- Metal Chassis

\* Snap Shot feature is based on application support

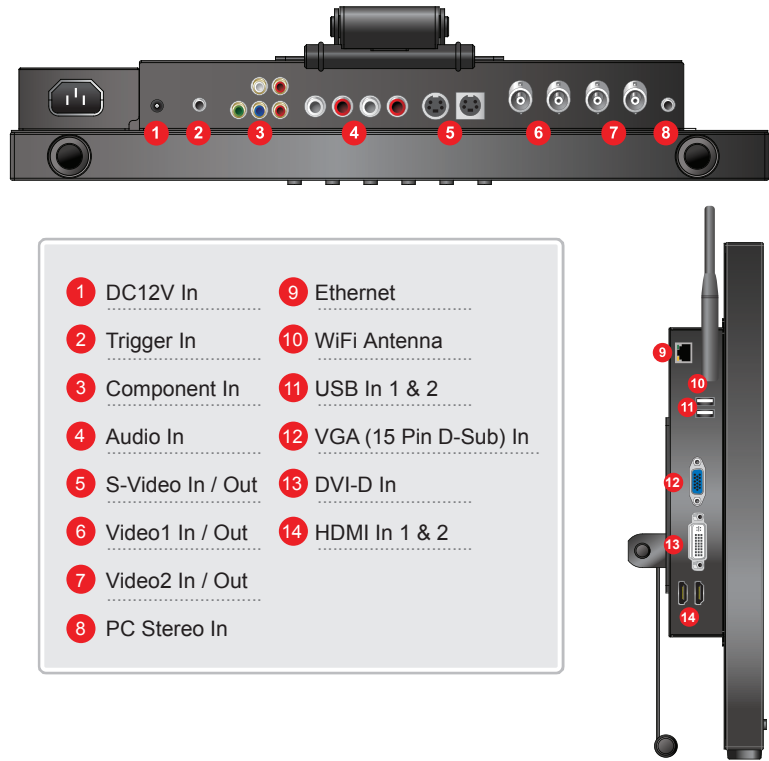


### SPECIFICATIONS

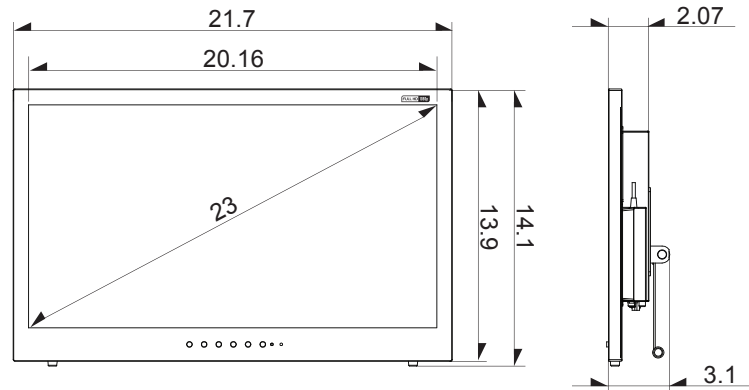
23IREDP	
<b>Display</b>	
Screen Size	23 Inch
Max. Resolution	1920 x 1080 @ 60Hz
Pixel Pitch	0.265 x 0.265mm
Brightness	250cd/m <sup>2</sup>
Contrast Ratio	1000 : 1
Aspect Ratio	16 : 9
Viewing Angle (H/V)	170° / 160°
Display Color	16.7 Million
Response Time	< 5ms
Video System	NTSC / PAL
<b>Interface</b>	
RJ45	Built-In Android 4.2 OS, Quad Core RK3188, Cortex A9, 8GB Internal Memory WiFi 802.11b/g/n
Video In / Out (BNC Type)	2 In / 2 Out
S-Video In / Out	1 In / 1 Out
Component	1 In
DVI-D In / HDMI In	1 In / 2 In
VGA In (15Pin D-Sub)	1 In
Audio In (RCA Type)	3 Left & Right
PC Stereo In	1 In
<b>Transmitter</b>	
Remote Control	Yes
<b>Audio</b>	
Built-in Speakers	Yes (1W x 2)
<b>Features</b>	
Multi Display Function	PIP / PBP
Filter Type	3D Comb Filter
Deinterlacing	Yes
Noise Reduction Control (NR)	Yes
Advanced Auto Power Recovery	Yes
Auto Pixel Shift	Yes
Auto Source Sequencing	Yes
Trigger Sensor	Yes (NO / NC)
Multi Language	English, Spanish, French, German, Italian
<b>General</b>	
Outline Dimension (W x H x D)	21.7" x 13.9" x 3.1"
Net Weight	7.1 Kg (15.6 lbs)
Material / Color	Metal / Black
Desk Top Stand	Kick Type
Part / Labor	3year / 3year
Consumption: < On	< 38W AC100 ~ 240V(50/60Hz)
Electrical Ratings	DC 12V / 3.5A
Operating Temperature	0° ~ 40° C / 32° ~ 104° F
Storage Temperature	-20° ~ 60° C / -4° ~ 140° F
<b>Mounts</b>	
VESA™ Mount Size	100 x 100mm
Wall	WB-5, WB-10, WB-30, WB-31
Ceiling	CMK-01

\*Design and specifications are subject to change without notice

### INPUT INTERFACE



### DIMENSIONS



### ADVANTAGES

#### IP NETWORK CONNECTION

