

Spectra® Mini Dome System

INDOOR, MINIATURE, SURFACE MOUNT/IN-CEILING

Product Features

- Familiar Spectra® Camera Menu Structure
- Single Model for Surface Mount and In-Ceiling Applications
- Autofocus, High Resolution Integrated Color Camera/Optics Package
- 80X Zoom (10X Optical, 8X Digital)
- Zone Blanking
- 64 Presets
- 0.5° Preset Accuracy
- 140°/second Pan Speed
- Rotating Discreet Liner
- 1 Pattern
- 1 Dynamic Window Blanking Area
- Proportional Pan and Tilt
- Programmable Zoom Speeds
- Multilingual Support
- Integral, Autosensing, Multiprotocol Receiver
- Auto Flip Dome Rotation
- Integrated UTP Circuit
- Quick Connect Cable for Power, Video (Coaxial or UTP), and Data
- Available with Smoked or Clear Dome



**SURFACE MOUNT
APPLICATION**



**RECESSED CEILING
APPLICATION**

The **Spectra® Mini** incorporates many well-known features from Pelco's full-size Spectra dome system into a cost effective, small form factor. The easy-to-install dome system can be mounted to the surface of ceilings or recessed into hard ceilings and suspended tile ceilings. A high resolution camera transmits video over coaxial cable or unshielded twisted pair (UTP) wires. When paired with active UTP receivers, **Spectra Mini** is capable of transmitting high quality video across distances of up to 4,000 ft (1,219 m). Pan/tilt operation can be performed with Pelco's controllers that transmit Pelco D, Pelco P, or Coaxitron® protocols. For non-Pelco controllers, a translator board can be installed. On-screen programming allows easy setup of the miniature dome's many features.

Variable speed capabilities of the **Spectra Mini** range from a fast pan motion of 140 degrees per second to a smooth "creep" speed of 0.4 degrees per second. The system is capable of continuous 360 degrees rotation and has an auto flip feature. This feature allows the dome to rotate 180 degrees and reposition itself for uninterrupted viewing of any subject that passes directly beneath the dome's location.



TECHNICAL SPECIFICATIONS

Product Features

- 64 Presets: 53 User Definable and 11 Predefined
- $\pm 0.5^\circ$ Preset Accuracy
- Multilingual Menus (English, Spanish, Portuguese, Italian, French, and German)
- Alternate Language Files (includes Russian, Polish, Turkish, and Czechoslovakian) Available as Optional Software Upload
- Data Port for Software Update and Setup
- On-Screen Compass, Tilt, and Zoom Display
- Password Protection
- 140°/sec Pan Preset Speed and 80°/sec Tilt Preset Speed
- Rotating Discreet Liner
- 4 Zones (programmable in size) Can Be Labeled with up to 20 Characters Each or Set to Output Blank Video
- Programmable Locations of Labels and On-Screen Displays
- 1 on-screen, user-defined programmable pattern. Includes pan, tilt, zoom, and preset functions
- 1 Programmable Window Blanking Area
- Proportional Pan and Tilt: Continually decreases pan and tilt speeds in proportion to depth of zoom
- Variable Scan Speed: Scan speed can be 3, 6, or 12°/sec
- Pan Motion Allows 0.4-140°/sec Pan Speed
- Programmable Limit Stops for Auto/Random/Frame Scan Modes
- Autosensing Protocol (Coaxitron, RS-422 Pelco P and Pelco D); Accepts Competitive Control Protocols with Optional TXB Translator Boards
- Digital Position, Zoom Control, and Feedback Through Pelco D Protocol
- Built-in Menu System for Setup of Programmable Functions
- Auto Flip Rotates Dome 180° at Bottom of Tilt Travel
- Programmable Zoom Speeds

GENERAL

Construction	
Top Cap	Anodized cast aluminum
Dome Drive	ABS plastic
Trim Ring and Surface Mount Ring	ABS plastic
Bubble	Acrylic
Finish	White or black
Light Attenuation	
Smoked	f/0.5 light loss
Clear	Zero light loss
Cable Entry	RJ45-10 pigtail connector for video (UTP), power, and data (supplied) BNC connector for video (coaxial)
Environment	Indoor
Operating Temperature	32° to 122°F (0° to 50°C)
Unit Weight	1.75 lb (0.79 kg)
Shipping Weight	4 lb (1.81 kg)

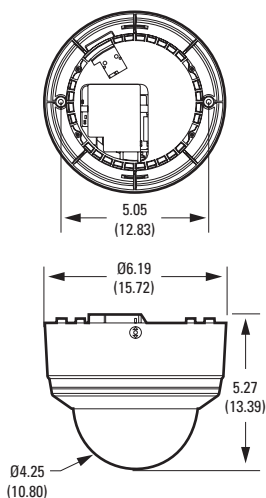
MECHANICAL

Pan Movement	360° continuous pan rotation
Vertical Tilt	Unobstructed +2° to -92°
Manual Pan/Tilt Speeds	
Pan	0.4° to 80°/sec manual operation, 100°/sec turbo
Tilt	0.7° to 40°/sec manual operation
Preset Speeds	
Pan	140°/sec
Tilt	80°/sec
	For variable speed operation an appropriate controller is required.

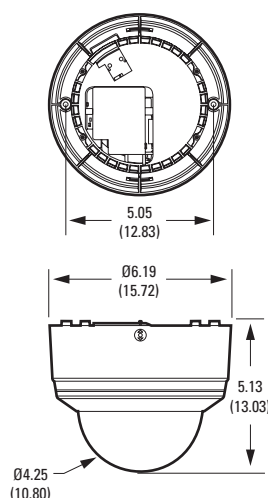
ELECTRICAL

Input Voltage	18 to 30 VAC; 24 VAC nominal
Input Power	21 VA nominal
Fuse	1.6 A

WITH TXB TRANSLATOR BOARD



WITHOUT TXB TRANSLATOR BOARD



NOTE: VALUES IN PARENTHESES ARE CENTIMETERS; ALL OTHERS ARE INCHES.

TECHNICAL SPECIFICATIONS

CAMERA

Signal Format	NTSC/PAL
Scanning System	2:1 interlace
Image Sensor	1/4-inch interline CCD
Effective Pixels	
NTSC	768 (H) x 494 (V)
PAL	752 (H) x 582 (V)
Horizontal Resolution	
NTSC	>470 TV lines
PAL	>460 TV lines
Minimum Illumination	3.0 lux
Sync System	AC line lock, phase adjustable using remote control, V-Sync
White Balance	Automatic with manual override
Shutter Speed	Automatic (electronic iris)/manual 1/60 ~1/30,000
Gain Control	Automatic with manual override
Video Output	
Composite	1.0 to 1.2 Vp-p, 75 ohms, adjustable
UTP	1.0 to 1.2 Vp-p, 100 ohms, adjustable
Video Signal-to-Noise Ratio	>50 dB

OPTIONAL MOUNTS

SPM4-W	Pendant mount, white
SPM4-B	Pendant mount, black
SWM4-W	Pendant-wall mount, white
SWM4-B	Pendant-wall mount, black

LENS

Lens	f/1.8 (f= 4.2–42 mm optical) 10X optical zoom, 8X digital zoom
Zoom Speed (optical range)	1.5/2.5/4.3 seconds
Horizontal Angle of View	46.4° wide zoom; 5.0° telephoto zoom
Focus	Automatic with manual override
Iris Control	Automatic with manual override

CERTIFICATIONS

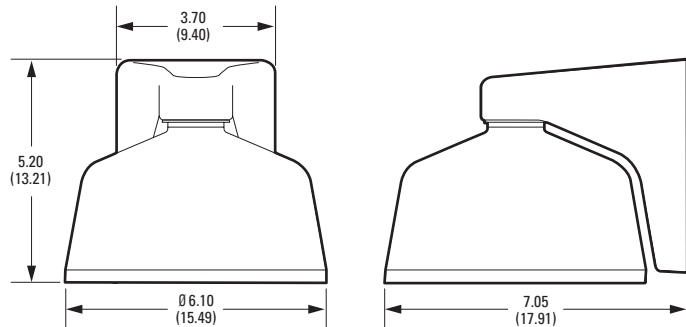
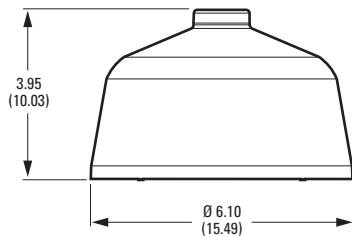
- CE, Class B
- FCC, Class B
- UL/cUL Listed
- C-Tick



**SPECTRA MINI DOME SHOWN WITH
OPTIONAL SPM4-W PENDANT MOUNT**



**SPECTRA MINI DOME SHOWN WITH
OPTIONAL SWM4-W PENDANT-WALL MOUNT**



NOTE: VALUES IN PARENTHESES ARE CENTIMETERS; ALL OTHERS ARE INCHES.

SPM4-W/SPM4-B

Mounting Method	Attach mount to 0.75-inch NPT pipe or 20 mm threaded conduit; attach Spectra Mini dome with hardware supplied with mount
Construction	ABS plastic
Finish	
SPM4-W	White
SPM4-B	Black
Unit Weight	0.30 lb (0.14 kg)
Shipping Weight	2 lb (0.91 kg)

SWM4-W/SWM4-B

Mounting Method	Install adapter plate on wall or junction box using appropriate hardware; attach wall mount to adapter plate; attach Spectra Mini dome with hardware supplied with mount
Construction	ABS plastic, aluminum
Finish	
SWM4-W	White
SWM4-B	Black
Unit Weight	0.72 lb (0.33 kg)
Shipping Weight	2 lb (0.91 kg)

MODELS AND RELATED PRODUCTS

MODELS

SD4-B0	Indoor dome system, black, smoked bubble, NTSC
SD4-B1	Indoor dome system, black, clear bubble, NTSC
SD4-B0-X	Indoor dome system, black, smoked bubble, PAL
SD4-B1-X	Indoor dome system, black, clear bubble, PAL
SD4-W0	Indoor dome system, white, smoked bubble, NTSC
SD4-W1	Indoor dome system, white, clear bubble, NTSC
SD4-W0-X	Indoor dome system, white, smoked bubble, PAL
SD4-W1-X	Indoor dome system, white, clear bubble, PAL

OPTIONAL ACCESSORIES

IPS-CABLE	Remote monitor cable and software kit consisting of the Spectra IV remote monitor interface cable and necessary software for use with a PC. Refer to www.pelco.com for a list of compatible devices.
IPS-MINIADPT	Adapter cable required to use IPS-CABLE.
TXB Series	Translator boards for AD Manchester, Hervis, Bosch® (Philips, Burle), Sensormatic®, TASS, and Vicon™ protocols.

Pelco, Inc. Worldwide Headquarters:

3500 Pelco Way, Clovis, California 93612-5699 USA

USA & Canada Tel: (800) 289-9100 • FAX: (800) 289-9150

International Tel: +1 (559) 292-1981 • FAX: +1 (559) 348-1120

www.pelco.com

Pelco, the Pelco logo, and other trademarks associated with Pelco products referred to in this publication are trademarks of Pelco, Inc. or its affiliates. All other product names and services are the property of their respective companies. Product specifications and availability are subject to change without notice.

©Copyright 2010, Pelco, Inc. All rights reserved.