

SWM Series Mount

WALL MOUNT, SPECTRA®, DF5, AND SARIX™ ID AND IE SERIES PENDANT DOMES

Product Features

- For Use with Pelco Pendant Domes (Spectra®, DF5, and Sarix™ ID and IE Series) that Require a 1.5-inch NPT Pipe Thread for Installation
- Low Cost
- Constructed of Cast Aluminum
- Cable Feedthrough Features
- Supports up to 10 lb (4.5 kg)
- Easy to Install, Using a Mounting Plate and Standard Tools
- Mounting Hardware is Concealed Within the SWM, Providing a Very Attractive Appearance
- Mounts Directly to a Vertical Load-Bearing Surface for Wall Mount Applications
- Can be used with the SWM-PA Series Pole Adapter or SWM-CA Series Corner Adapter
- For Indoor or Outdoor Applications

The **SWM Series** indoor/outdoor wall mounts are designed primarily for use with Pelco pendant domes including Spectra®, DF5, DF8, and Sarix™ ID and IE Series. They can also be used with other pendant domes that require a 1.5-inch NPT pipe thread for installation. Its unique design conceals the mounting bolts inside the mount, providing a clean and aesthetically pleasing appearance. It is easy to install and requires no special tools. A gasket is affixed to the base to protect the interior from moisture.

A feedthrough opening in the mounting surface allows for easy routing of video and power cables. Because of its compact size, the mount is not suitable for use with conduit fittings. A 1.5-inch NPT pipe thread is provided in the mount to attach the pendant dome.

For Sarix installations, the **SWM Series** wall mounts require a Sarix pendant mount adapter: the ID-P is required for Sarix ID Series domes, and the IE-P is required for Sarix IE Series domes.

Accessories for the wall mount include the **SWM-PA Series** pole adapter and the **SWM-CA Series** corner adapter. The corner adapter allows the wall mount to be attached to the corner of a building. The **SWM-CA24** corner adapter includes a 100 VA transformer that converts 120 or 230 VAC input to 24 VAC output. When installed with Sarix IE Series domes, the power from the **SWM-CA24** mount is used for the dome heater.

The wall mount and adapters are constructed of aluminum with a polyester powder coat finish. The wall mount is available in gray, light gray, black, and white. The pole adapter is available in gray, black, and white. The corner adapter is available in gray and white.



**SWM-GY
WALL MOUNT**



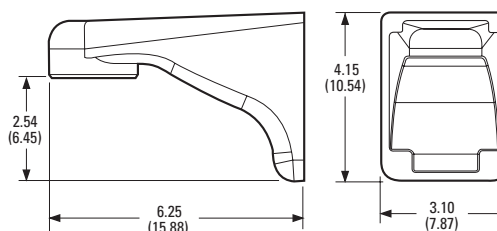
**SWM-PA-GY
POLE ADAPTER**



**SWM-CA
CORNER ADAPTER**



**SWM-GY WALL MOUNT AND SWM-CA CORNER ADAPTER
SHOWN WITH DF5-PG-EO**



SWM-GY, SWM-BK, SWM-SR, SWM-WT

NOTE: VALUES IN PARENTHESES ARE CENTIMETERS; ALL OTHERS ARE INCHES.



TECHNICAL SPECIFICATIONS

MODELS

SWM-GY	Wall mount with cable feedthrough; gray finish
SWM-BK	Same as SWM-GY except black finish
SWM-SR	Same as SWM-GY except light gray finish
SWM-WT	Same as SWM-GY except white finish*

*SWM mounts require the ID-P adapter for Sarix™ ID Series domes; the IE-P adapter is required for use with Sarix IE Series domes.

RELATED PRODUCTS

SWM-CA	Corner adapter; gray finish
SWM-CAWT	Same as SWM-CA except white finish
SWM-CA24	Same as SWM-CA except includes internal transformer to convert 120 or 230 VAC input to 24 VAC
SWM-PA-GY	Pole adapter with stainless steel hardware; gray finish
SWM-PA-BK	Same as SWM-PA-GY except black finish
SWM-PAWT	Same as SWM-PA-GY except white finish

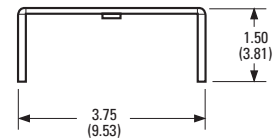
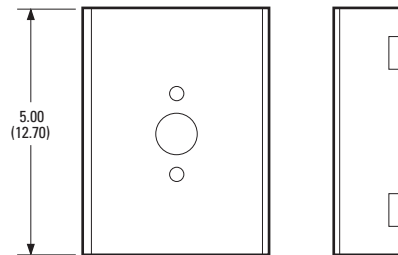
ELECTRICAL (SWM-CA24 ONLY)

Input Power	120/230 VAC, 50/60 Hz switchable
Output Power	24 VAC (100 VA transformer)
Circuit Protection	One 1.6 A, 120 VAC fast-acting fuse or one 500 mA, 230 VAC slow-blow fuse

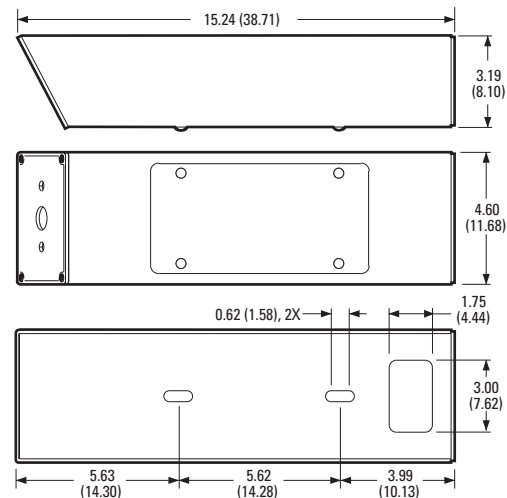
GENERAL

Mounting Method	Wall Mount	Mount is secured by a set screw to a mounting plate that is attached to the mounting surface with two fasteners (not supplied) up to 0.25-inch (M6) diameter.
Corner Adapter	Adapter is attached to a vertical load-bearing surface with two 0.375-inch (M8) diameter stainless steel bolts of appropriate length (not supplied). Includes hardware to attach SWM mount.	
Pole Adapter	Adapter is attached to a pole with two stainless steel straps (supplied). Straps fit 4 to 8-inch (10.16 to 20.32 cm) diameter pole. Includes hardware to attach SWM mount.	
Cable Entry	Cable feedthrough holes in mount adapters	
Maximum Load	10 lb (4.5 kg)	
Environment	Indoor/outdoor	
Operating Temperature (SWM-CA24 only)	-50° to 120°F (-46° to 49°C)	
Effective Projected Area (EPA)	SWM-GY, SWM-BK, SWM-SR, SWM-WT	~12 square inches
Construction	Wall Mount	Cast aluminum
Adapters		Aluminum
Finish	SWM-GY, SWM-CA, SWM-CA24, SWM-PA-GY	Gray polyester powder coat
	SWM-BK, SWM-PA-BK	Black polyester powder coat
	SWM-SR	Light gray polyester powder coat
	SWM-WT, SWM-PAWT, SWM-CAWT	White polyester powder coat

Weight	Unit	Shipping
SWM-GY, SWM-BK, SWM-SR, SWM-WT	1.10 lb (0.50 kg)	2 lb (0.91 kg)
SWM-CA, SWM-CAWT	3.95 lb (1.79 kg)	5 lb (2.27 kg)
SWM-CA24	7.32 lb (3.32 kg)	9 lb (4.08 kg)
SWM-PA-GY, SWM-PA-BK, SWM-PAWT	0.70 lb (0.32 kg)	2 lb (0.91 kg)



SWM-PA POLE ADAPTER



SWM-CA CORNER ADAPTER

NOTE: VALUES IN PARENTHESES ARE CENTIMETERS; ALL OTHERS ARE INCHES.

Pelco, Inc. Worldwide Headquarters:

3500 Pelco Way, Clovis, California 93612-5699 USA

USA & Canada Tel: (800) 289-9100 • FAX: (800) 289-9150

International Tel: +1 (559) 292-1981 • FAX: +1 (559) 348-1120

www.pelco.com

Pelco, the Pelco logo, and other trademarks associated with Pelco products referred to in this publication are trademarks of Pelco, Inc. or its affiliates. All other product names and services are the property of their respective companies. Product specifications and availability are subject to change without notice.

©Copyright 2010, Pelco, Inc. All rights reserved.