

# TF Series Power Supply

## SINGLE 24 VAC CAMERA POWER SUPPLY, INDOOR

### Product Features

- Cost Effective
- 20 or 50 VA Output
- Fuse Protection
- Class 2 Power Supply



TF2000

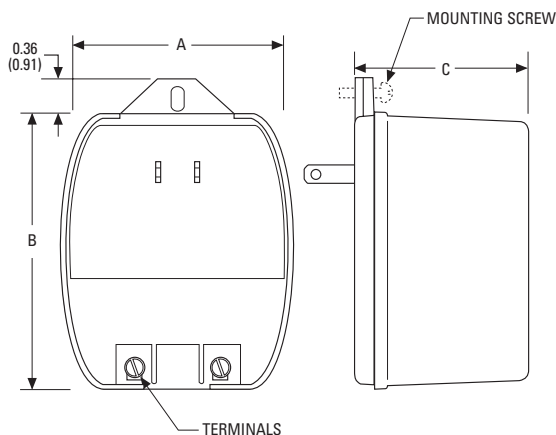
The **TF Series Power Supply** is a 24 VAC, Class 2 power supply that is ideal for use in fixed camera applications.

To meet different installation requirements, two models are available. The **TF2000** provides 20 VA output and the **TF9000** provides 50 VA output.

These economical power supplies, which are for indoor use only, plug into any 120 VAC duplex wall receptacle having a center screw. A mounting screw in the top of the power supply replaces the screw in the center of the receptacle cover to fasten the power supply securely to the receptacle.

Two screw terminals on the power supply provide easy connection of the 24 VAC output to one or more cameras.

A fuse inside the sealed unit provides protection against power supply or camera failure.



MODEL	A	B	C
TF2000	2.36 (5.99)	2.98 (7.57)	1.91 (4.85)
TF9000	2.75 (6.99)	3.10 (7.88)	2.20 (5.59)

NOTE: VALUES IN PARENTHESES ARE CENTIMETERS; ALL OTHERS ARE INCHES.



# TECHNICAL SPECIFICATIONS

## MODELS

TF2000	Indoor, camera power supply, 120 VAC input. One fused, 24 VAC output, 20 VA
TF9000	Same as TF2000 except 50 VA output

## ELECTRICAL

Input Voltage	120 VAC, 60 Hz
Output Voltage	24 VAC
Output Power	
TF2000	20 VA
TF9000	50 VA
Overload Protection	Internal fuse (non-serviceable)
Input Connectors	Two blades
Output Connectors	Two screw terminals
Recommended Wiring Distances	See chart below

The following are the recommended maximum distances (transformer to load) and are calculated with a 10-percent voltage drop. (Ten percent is generally the maximum allowable voltage drop for AC-powered devices.) Distances are calculated in feet; values in parentheses are meters.

**Recommended Wiring Distance Chart**

Input Voltage	Total VA Consumed	Wire Gauge		
		20 AWG (0.5 mm <sup>2</sup> )	18 AWG (1.0 mm <sup>2</sup> )	16 AWG (1.5 mm <sup>2</sup> )
24 VAC	10	283 (86)	451 (137)	716 (218)
	20	141 (42)	225 (68)	358 (109)
	50	56 (17)	90 (27)	143 (43)

## GENERAL

Construction	Plastic
Finish	Beige
Environment	Indoor
Unit Weight	
TF2000	0.80 lb (0.36 kg)
TF9000	1.70 lb (0.76 kg)
Shipping Weight	
TF2000	1 lb (0.45 kg)
TF9000	2 lb (0.91 kg)



**Pelco, Inc. Worldwide Headquarters:**  
3500 Pelco Way, Clovis, California 93612-5699 USA  
**USA & Canada** Tel: (800) 289-9100 • FAX: (800) 289-9150  
**International** Tel: +1 (559) 292-1981 • FAX: +1 (559) 348-1120  
[www.pelco.com](http://www.pelco.com)

Pelco and the Pelco logo are registered trademarks of Pelco, Inc.  
Product specifications and availability subject to change without notice.  
©Copyright 2006, Pelco, Inc. All rights reserved.