

WLEDS-50 White Light LED Illuminator

50 M RANGE

Product Features

- Distances Up to 50 m (164 ft)
- Platinum LED Technology; High Efficiency, High Reliability
- Interchangeable Diffuser System (IDS) Using Lenses with Angles Up to 120 Degrees
- LED Status Feedback and Lifetime Management Systems
- Vandal Resistant with IK9 Mechanical Impact Resistance
- Advanced Optics for Optimal Light Distribution
- Optional Remote Control Setup Functions:
 - Adjust Power
 - Adjust Photocell Sensitivity
 - Timer Function
 - Telemetry Input or Remote Dim Function
 - Factory Restore



The Pelco **WLEDS-50 Series** of white light illuminators is designed for video surveillance applications. **WLEDS-50** illuminators are the perfect overall lighting solution, combining platinum LED optic technology with unique product features such as remote control and LED status feedback system, providing an energy-efficient and controlled lighting solution.

The **WLEDS-50 Series** features a unique Interchangeable Diffuser System (IDS) which allows users to quickly and easily change the angle of illumination on-site to match the required field of view. The IDS uses the latest holographic light-diffusing technology which produces a targeted and accurate beam pattern directing light to where it is needed most. This technique allows greater illumination distances and prevents overexposure of foreground objects, delivering an evenly illuminated and smoother video surveillance image.

The optional RC-LED remote control with a variety of advanced features enables set up of the illuminator quickly and safely from ground level.

The LED Lifetime management system ensures high reliability and consistent optical output, which allows the **WLEDS-50** illuminators to deliver outstanding performance with minimal environmental impact. The **WLEDS-50** LED status feedback system provides instant response on the operational performance of the illuminator, allowing easy commissioning and maintenance checks.

The interchangeable lenses included with **WLEDS-50** units deliver angles of 35 and 60 degrees, offering enough flexibility for most applications. An optional LENS-LED wide-angle lens pack increases the viewing angle to 80 or 120 degrees.

WLEDS-50 illuminators are supplied complete with bracket and operate directly from a 12 VDC or 24 VAC input.

TECHNICAL SPECIFICATIONS

MODELS

WLEDS-50 White light LED illuminator; 50 m (164 ft) maximum distance at 10°

ELECTRICAL

Input Voltage 12 VDC $\pm 10\%$;
24 VAC $\pm 10\%$
Power Consumption 12 W maximum
Power Cord 2.5 m 12 or 24 VAC/DC

GENERAL

Color Temperature 5,700°K
Average Life (Lamp) 10 years
Construction Aluminum body, stainless steel bracket, polycarbonate cover
Finish Gray polyester powder coat
Operating Temperature -40° to 50° C (-40° to 122° F)
Storage Temperature -50° to 75° C (-58° to 167° F)
Weight Unit Shipping
0.65 kg (1.40 lb) 0.80 kg (1.70 lb)

MECHANICAL

Bracket Mounting 6.50 mm (0.25 in) hole diameter
Bracket Adjustment 2, 4 mm AF hex (M6 hex button head)

CERTIFICATIONS/PATENTS

- CE
- FCC, Class B
- UL/cUL Listed
- Meets IP66 rating (environmental) and IK9 (vandal resistant)

SUPPLIED ACCESSORIES

Units are factory-installed with a 35 x 10° Interchangeable Diffuser System (IDS); an additional 60 x 25° IDS is supplied.

INTERCHANGEABLE DIFFUSER SYSTEM (IDS)

| Angles with Diffuser | Distance |
|-------------------------|---------------|
| 10° x 10° (no diffuser) | 50 m (164 ft) |
| 35° x 10° (standard) | 35 m (115 ft) |
| 60° x 25° (included) | 20 m (66 ft) |
| 80° x 30° (optional) | 15 m (49 ft) |
| 120° x 50° (optional) | 10 m (33 ft) |

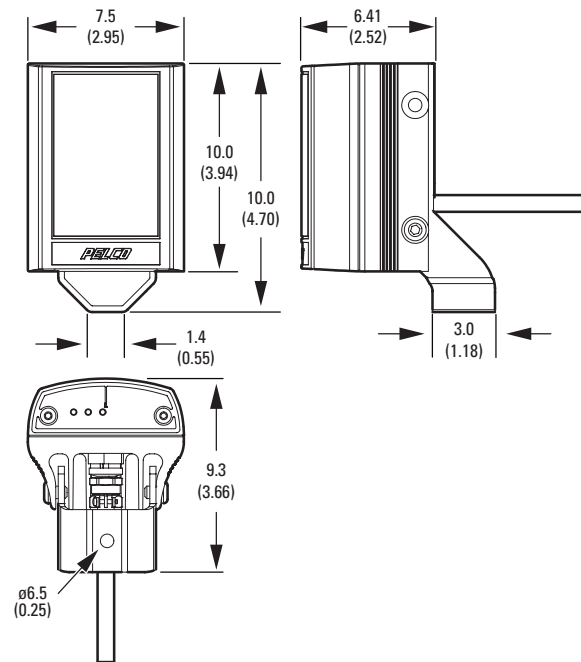
RECOMMENDED ACCESSORIES

RC-LED Remote control for IR850, IR940, or WLED illuminators
LENSPKS-LED Wide angle lens pack (80° and 120°) for IR850S-65, IR940S-30, or WLEDS-50
LBKT-LED Mounting bracket for installing IR850, IR940, or WLED illuminators on walls or flat surfaces

INTEGRATED COMMAND AND CONTROL

Standard Built-in photocell for automatic on/off operation; LED Status Feedback System provides status on performance of the unit; photocell following output
Advanced Accessed with remote control:
– Power adjust from 20 to 100%
– Photocell sensitivity adjust
– Timer function (up to 30 minutes)
– Telemetry control or remote dimming
– LED Status Feedback System on/off
– Restore factory default settings

 VALUES IN PARENTHESES ARE INCHES; ALL OTHERS ARE CENTIMETERS.



Pelco by Schneider Electric

3500 Pelco Way, Clovis, California 93612-5699 United States

USA & Canada Tel (800) 289-9100 Fax (800) 289-9150

International Tel +1 (559) 292-1981 Fax +1 (559) 348-1120

www.pelco.com www.pelco.com/community

Pelco, the Pelco logo, and other trademarks associated with Pelco products referred to in this publication are trademarks of Pelco, Inc. or its affiliates. ONVIF and the ONVIF logo are trademarks of ONVIF Inc. All other product names and services are the property of their respective companies.

Product specifications and availability are subject to change without notice.

©Copyright 2013, Pelco, Inc. All rights reserved.