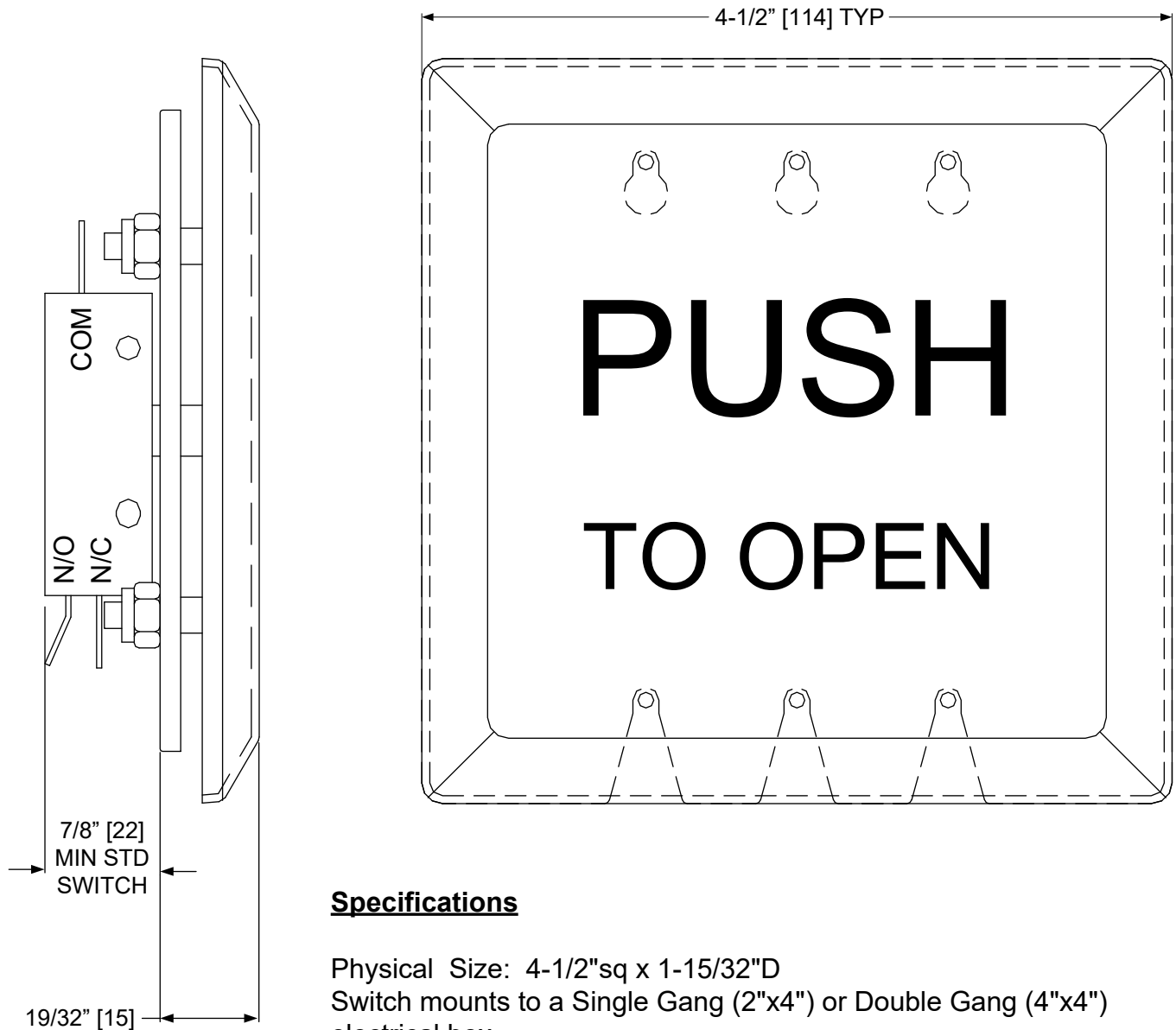


SDC Security Door Controls

801 Avenida Acaso, Camarillo, Ca. 93012 • (805) 494-0622 •
www.sdcsecurity.com • E-mail: service@sdsecurity.com

INSTALLATION INSTRUCTIONS 48204U SPDT SQUARE PUSH PLATE SWITCH, PUSH TO OPEN, – 4-1/2"



Specifications

Physical Size: 4-1/2"sq x 1-15/32"D
Switch mounts to a Single Gang (2"x4") or Double Gang (4"x4")
electrical box

Contact Type: SPDT
Contact Rating: 2 Amp @48VDC
15 Amp @125/250VAC

Any suggestions or comments to this instruction or product are welcome. Please contact us through our website or email engineer@sdsecurity.com