

RY-24L

Form C Door Release Relay for AX, KB, KC, and JP Color Video Systems

- INSTRUCTIONS -

The RY-24L Door Release Relay Module is an interface between the door release contact on the Aiphone monitor and the actual release mechanism. The contact closure directly out of the monitor is rated at 12V AC with a low current capacity. If your strike or maglock requires more voltage or current, the RY-24L is required. It provides either a Normally Open contact for an electric strike, or a Normally Closed contact for a magnetic lock. The contact rating supports a majority of door release hardware available on the market. The RY-24L relay is recommended with all AX, KB, KC and JP video systems when using the door release feature. This will protect the built-in contact from possible surge damage.

(Note: Use the RY-3DL when releasing more than two doors on the JM system, or more than one door on the KB system).

INSTALLATION:

1. Install in a suitable location, either near the power source for the door release mechanism, or behind the monitor.
2. Secure wire connections with proper termination, such as wire nuts or crimp connectors.
3. Trim the wires to the desired length.
4. Trim the unused contact wire so the bare strands are not exposed.

WIRING DIAGRAMS:

JP System Wiring



RY-24L COLOR CODE:

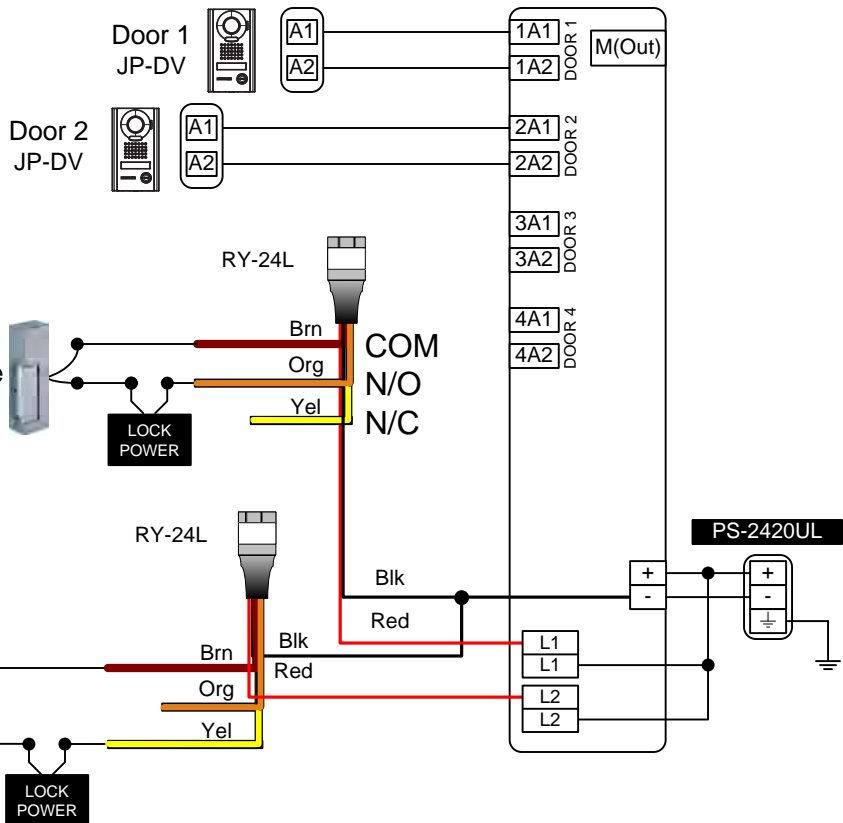
Input of Relay:

Red: L/ORG, Positive trigger
Black: (-) NEGATIVE

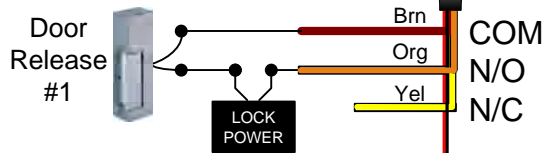
Output of Relay:

Brown: COMMON
Orange: N/O Contact
Yellow: N/C Contact
(See contact rating specs on back page)

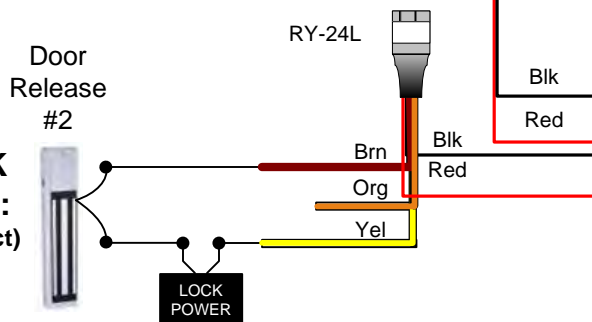
JP-4MED



ELECTRIC STRIKE WIRING METHOD: (Normally Open contact)



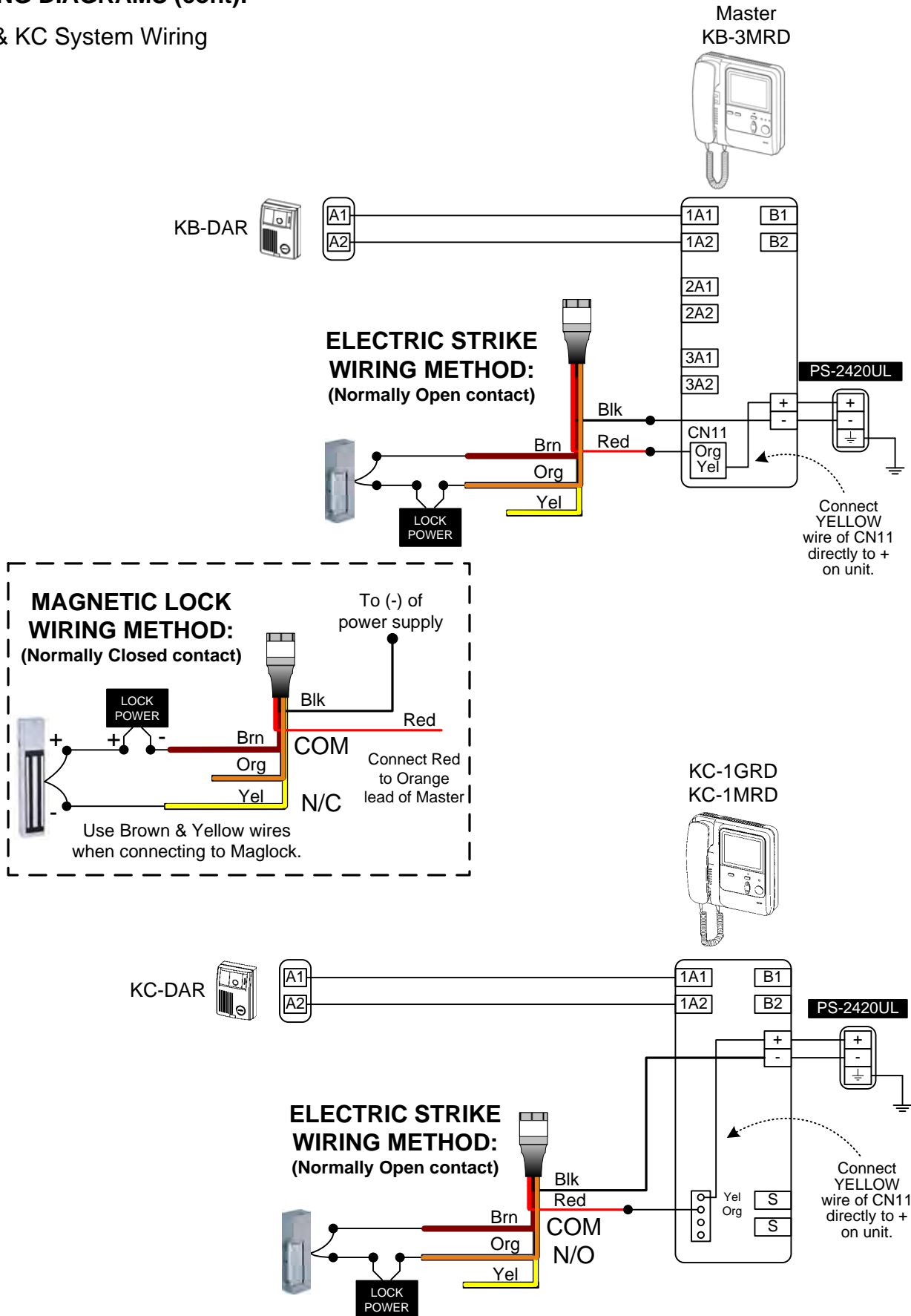
MAGNETIC LOCK WIRING METHOD: (Normally Closed contact)



NOTE: The door release contacts are rated at 24V AC, 500mA. The RY-24L should be used in any application where the strike or maglock has a higher voltage or draws more current. Otherwise, internal damage to the JM monitor could result.

WIRING DIAGRAMS (cont):

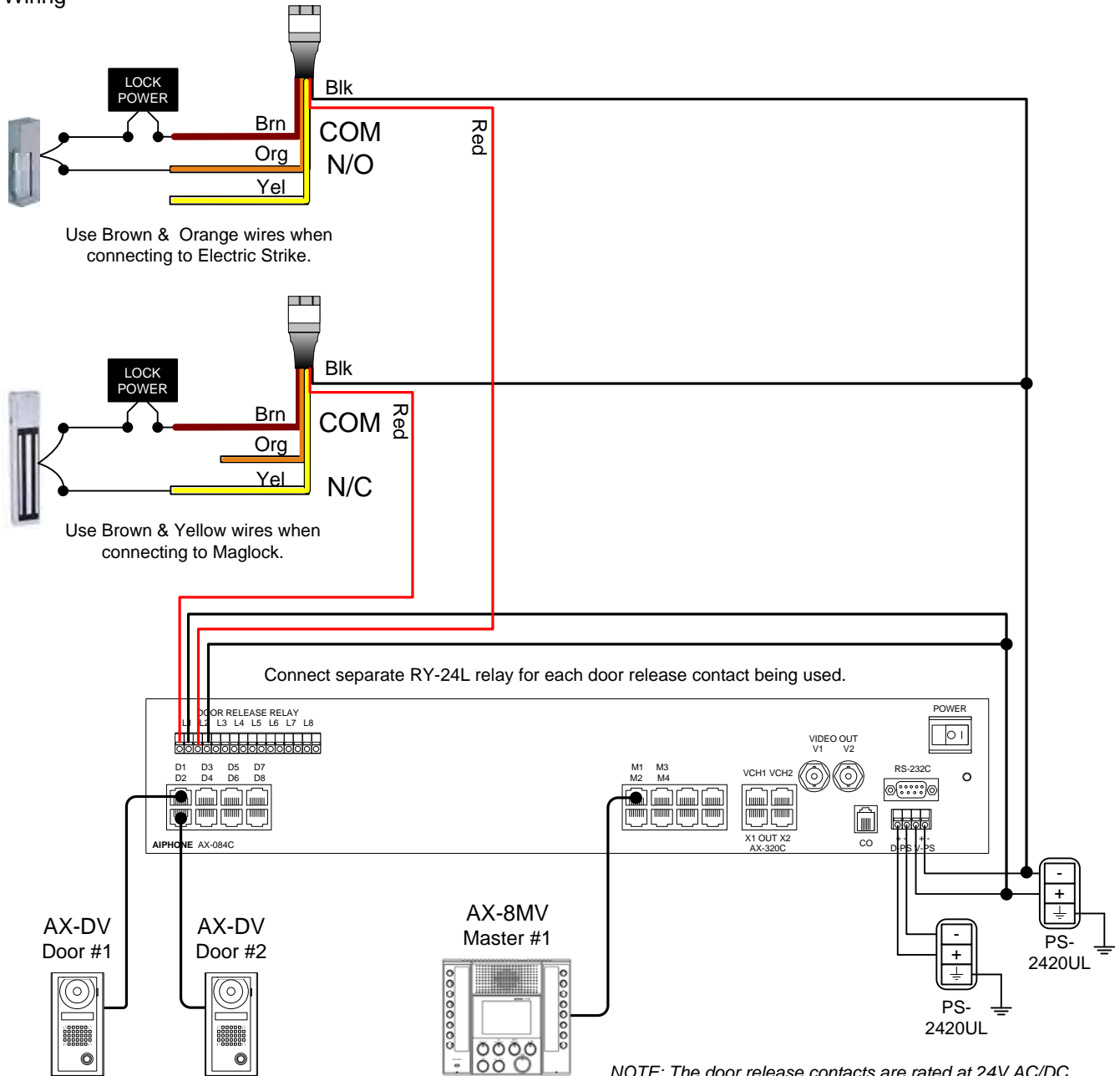
KB & KC System Wiring



NOTE: The door release contacts are rated at 12V AC, 400mA. The RY-24L should be used in any application where the strike or maglock has a higher voltage or draws more current. Otherwise, internal damage to the KB/KC monitor could result.

WIRING DIAGRAMS (cont):

AX System Wiring



NOTE: The door release contacts are rated at 24V AC/DC, 500mA. The RY-24L should be used in any application where the strike or maglock has a higher voltage or draws more current. Otherwise, internal damage to the AX Exchange Unit could result.

SPECIFICATIONS:

- Power Source: Supplied by master station or CEU
- Mounting: No mounting required
- Terminations: Color-coded prewired pigtails
- Relay Input: 24V DC, Red and Black wires, 22AWG
- Relay Output: Brown, Red, Orange wires, 18AWG
- N/O Output rating: 5A at 30V DC or 125V AC
- N/C Output rating: 3A at 30V DC or 125V AC
- Wiring: 2 conductors from unit's door release contacts to RY-24L.
2 conductors from RY-24L to release mechanism, with power wired in series.
- Dimensions (HxWxD): 1-3/4" x 7/8" x 7/16", with wires extending approx. 7-1/2"