



Arlington Industries, Inc.

1 Stauffer Ind. Park - Scranton, Pa. 18517
 800-233-4717 Fax: 570-562-0646
 www.aifittings.com - E-MAIL: sales@aifittings.com
 Manufacturers of Quality Electrical Products

WARNING: TURN OFF POWER AT MAIN PANEL BOX

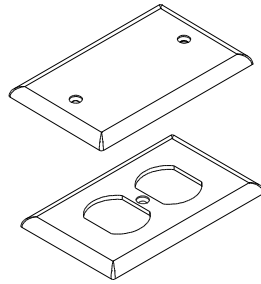
TVB810
TVB810GC (includes Ground Clip)



Contents:

- (1) TVB810 Box
- (1) Mounting Bracket
- (1) CED130 Insert
- (1) 15 Amp Duplex TR Receptacle
- (1) Duplex Cover Plate w/ Screw
- (3) #8-32 x 1/2" Long Screws
- (1) NM94 Cable Connector
- (1) NM900
- (3) Blank Cover Plates
- (6) #6-32 x 1/2" Screws
(For Blank Cover Plates)

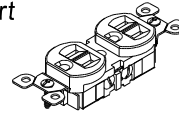
TV Box For Flat Screen TVs, For Existing Construction



Cover Plates



CED130
Insert



TR Duplex
Receptacle

(3) #8-32 X 1/2" Long Screw

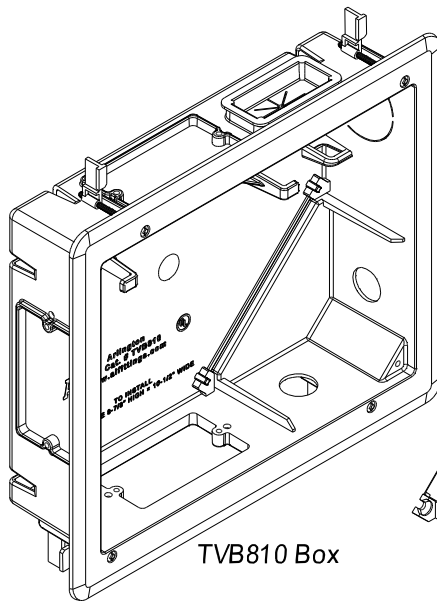
(6) #6-32 X 1/2" Long Screw
(For Blank Cover Plates)



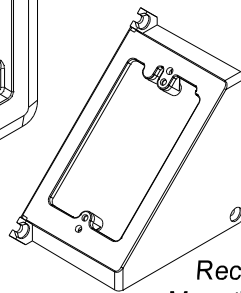
(1) NM94



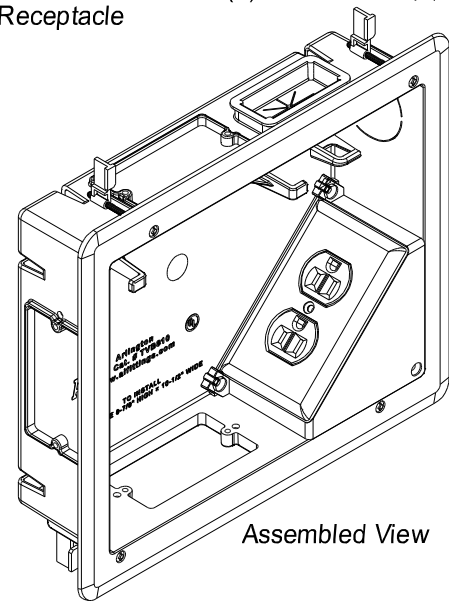
(1) NM900



TVB810 Box



Receptacle
Mounting Bracket



Assembled View

If you have any questions or if parts are missing from your TVB810TV Box For Flat Screen TV Kit, Please call our Customer Service Department at 1-800-233-4717.

Do not call or return this product to your local store or distributor.

Installation Instructions:

- Cut 10-1/2" wide X 9-1/8" high hole in wall in desired location for TVB810 Box.
- Install NM94 Cable Connector in TVB810 Box and pull cable through NM94 Connector.
- Install NM900 in TVB810 Box, to seal unused 1/2" trade size opening.
- If desired, pull low-voltage cable through CED130 or other openings, and mount low-voltage devices as needed.
- Install TVB810 Box into hole in wall, and secure box to wall by tightening (4) Flag screws on box.
- Complete wiring connections and attach electrical receptacle (provided) to Receptacle Mounting Bracket.
- Attach Receptacle Mounting Bracket to TVB810 Box using (3) #8 x 1/2" long screws (provided).
- Complete installation by attaching cover plates (provided) to outlet device.

WARNING: Make sure power is OFF at main panel box before installing.

NOTE: All Wiring Must be According to NEC, State and Local Codes.

The manufacturer and distributor warrant this product for material and workmanship only, and shall not be liable for any special incident or consequential damages or for damages or loss caused by improper use or installation.