

Accessory Specifications

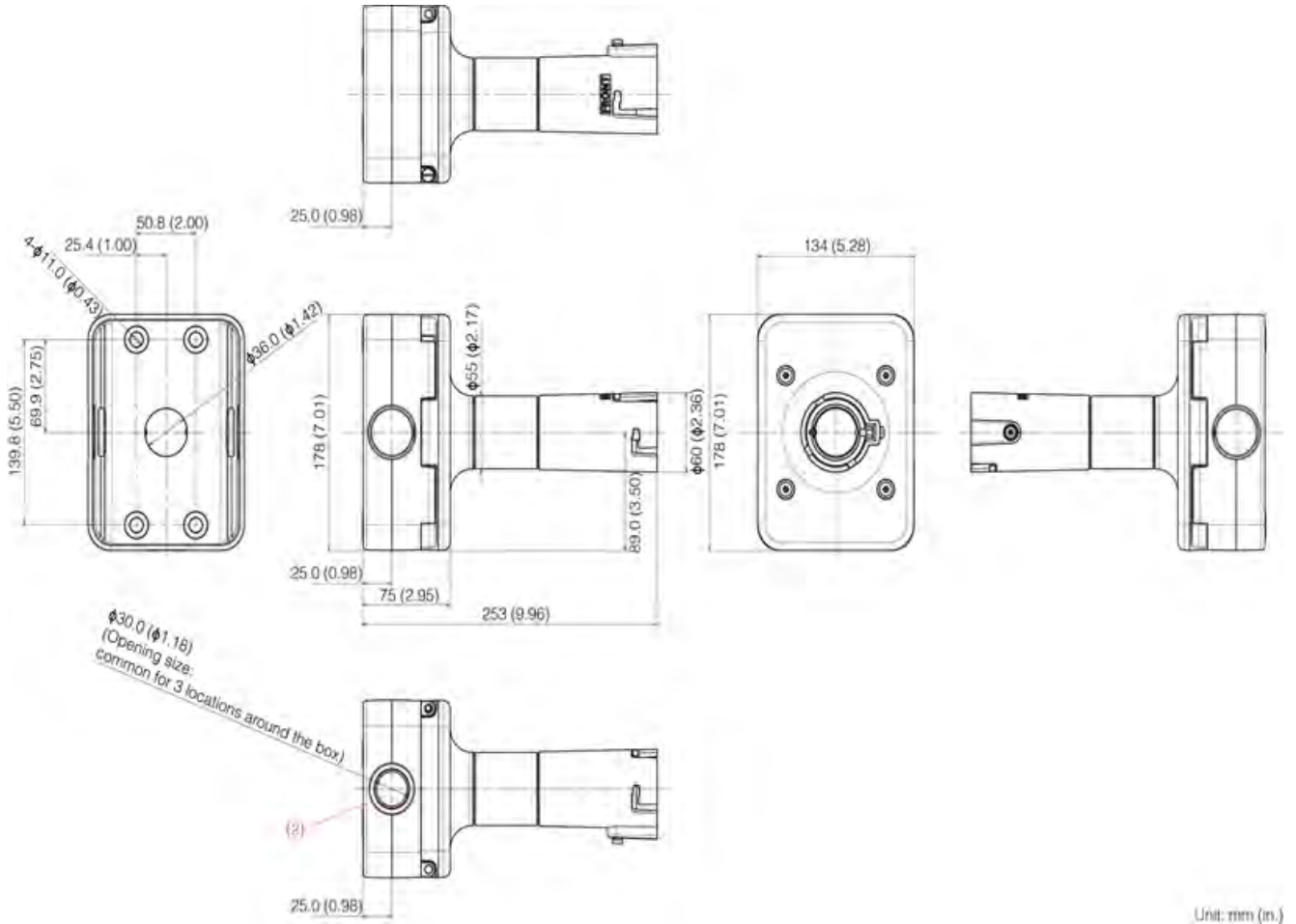
VB-R11VE

VB-R10VE

Ceiling Mounting Kit

(CM10-VB)

The exterior size, specifications, external materials, are as follows.



Specification		
Dimensions	(H x W x D) 178 x 134 x 253 mm (7.01 x 5.28 x 9.96 in.)	
Weight	Approx. 2300 g (5.08 lb.)	
Operating Environment	Temperature	Same as camera
	Humidity	Same as camera
Storage Environment	Temperature	Same as camera
	Humidity	Same as camera
Impact Resistance	IK10 (20J)	

Exterior Materials		
Component Name	Material Abbreviation	
(1) CEILING MOUNT UNIT	Die cast aluminum (ADC12)	
(2) B CAP (removable)	Silicone rubber	
External Color	Titanium White (paint color)	