

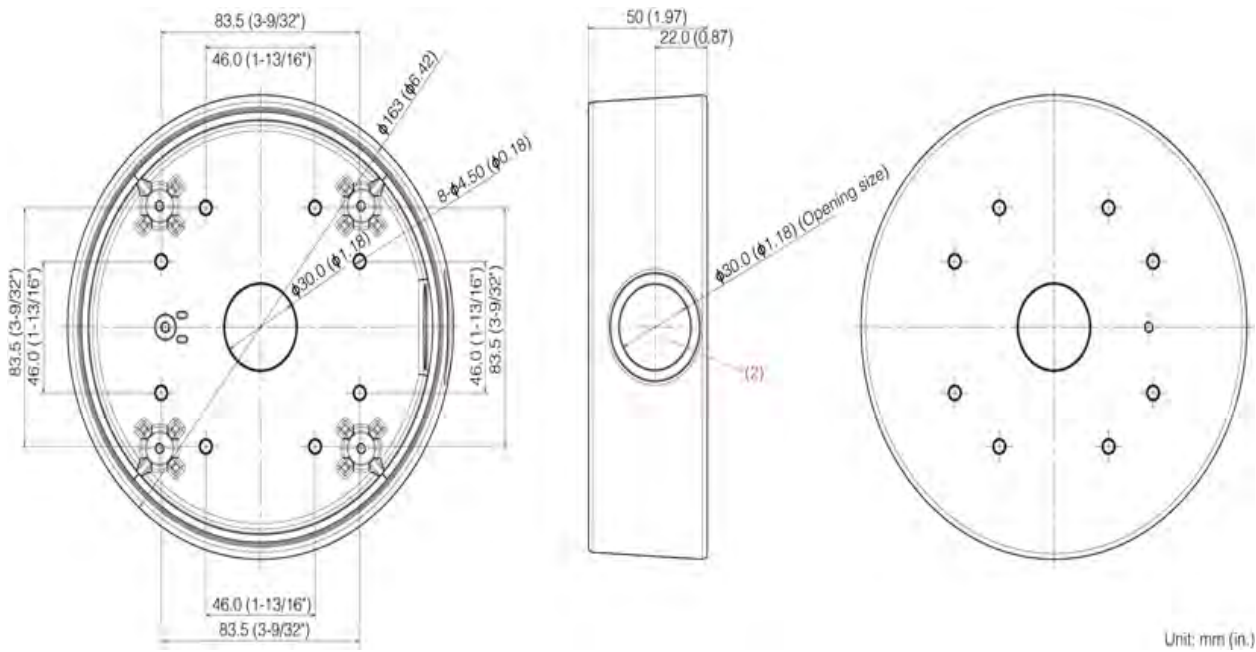
Accessory Specifications

VB-M741LE

VB-M740E

Conduit Box (CB740-VB)

The exterior size, specifications, external materials, are as follows.



Specification

Dimensions	$(\phi \times H) \phi 163 \times 50$ mm ($\phi 6.42 \times 1.97$ in.)	
Weight	Approx. 710 g (1.57 lb.)	
Operating Environment	Temperature	Same as camera
	Humidity	Same as camera
Storage Environment	Temperature	Same as camera
	Humidity	Same as camera

Exterior Materials

Component Name	Material Abbreviation
(1) COVER	Die cast aluminum (ADC12)
(2) B CAP (removable)	Silicone rubber
External Color	Titanium White (paint color)