

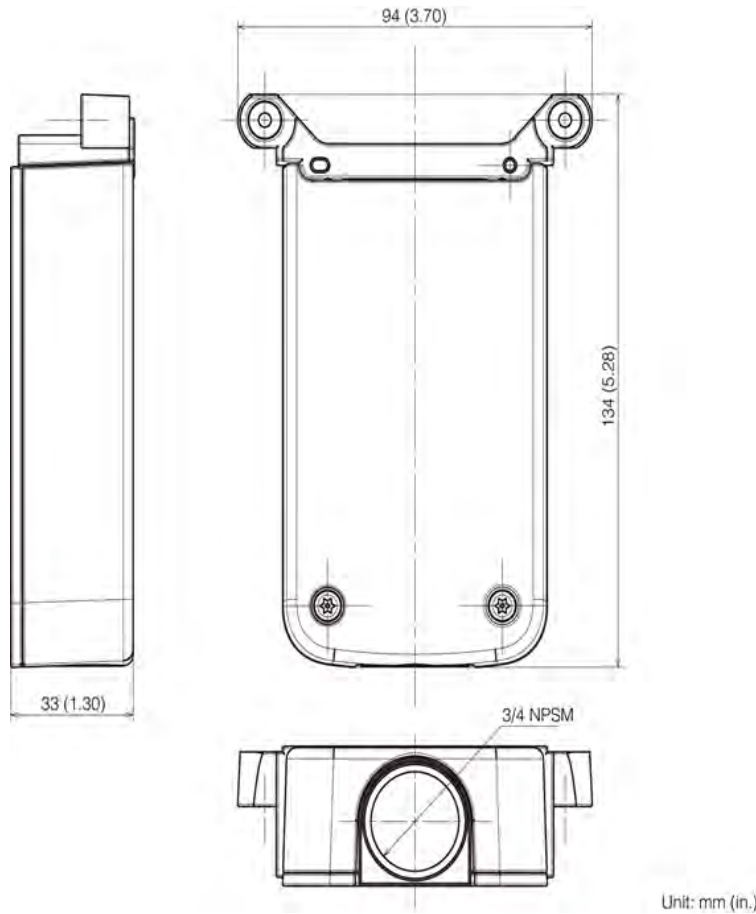
Accessory Specifications

VB-M641VE

VB-M640VE

Conduit Adaptor (CA640-VB)

The exterior size, specifications, external materials, are as follows.



Specification		
Dimensions	(H x W x D) 33 x 94 x 134 mm (1.30 x 3.70 x 5.28 in.)	
Weight	Approx. 230 g (8.2 oz.)	
Operating Environment	Temperature	Same as camera
	Humidity	Same as camera
Storage Environment	Temperature	Same as camera
	Humidity	Same as camera

Exterior Materials		
Component Name	Material Abbreviation	
(1) COVER	Die cast aluminum (ADC12)	
External Color	Titanium White (paint color)	