

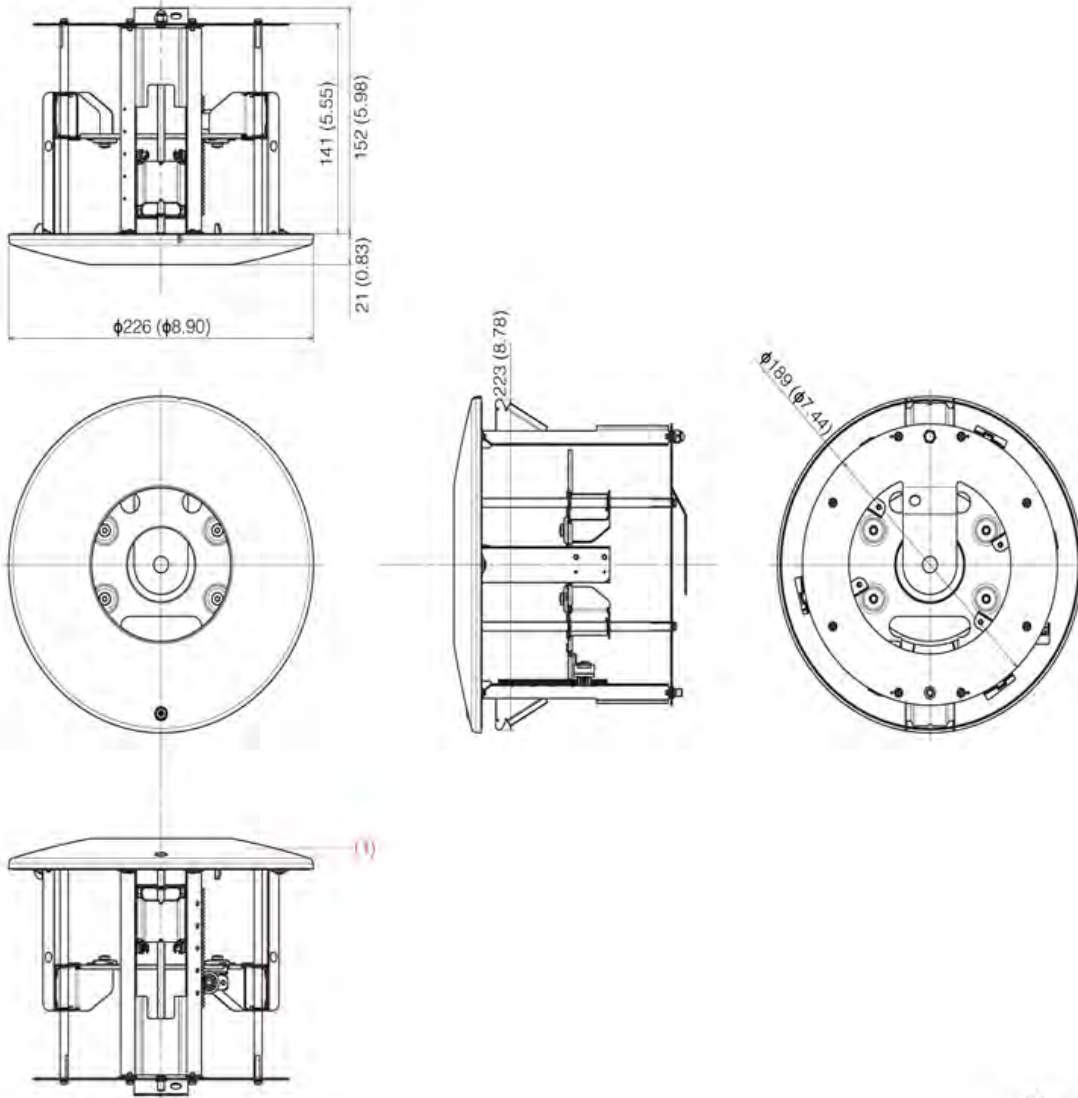
# Accessory Specifications

VB-M641V

VB-M640V

## Recessed ceiling Mounting Kit (SR640-S-VB)

The exterior size, specifications, external materials, are as follows.



Unit: mm (in.)

**Specification**

Dimensions	$(\phi \times H) \phi 226 \times 152$ mm ( $\phi 8.90 \times 5.98$ in.)	
Weight	Approx. 1150 g (2.54 lb.)	
Operating Environment	Temperature	Same as camera
	Humidity	Same as camera
Storage Environment	Temperature	Same as camera
	Humidity	Same as camera

**Exterior Materials**

Component Name	Material Abbreviation
(1) COVER	Polycarbonate resin (PC)
External Color	Titanium White (resin color)