

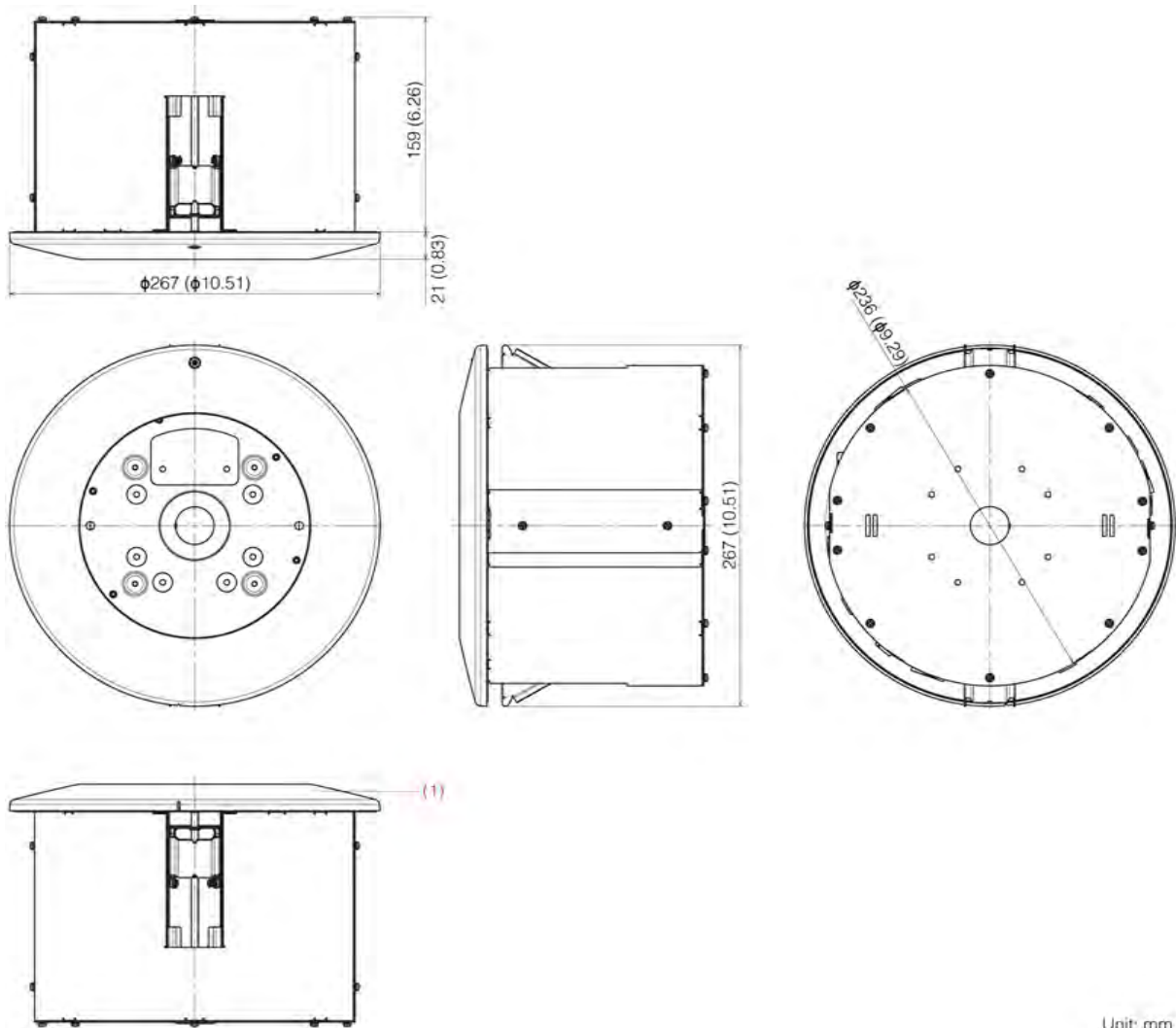
Accessory Specifications

VB-R11

Recessed Ceiling Mounting Kit

(SR11-P-VB)

The exterior size, specifications, external materials, are as follows.



Unit: mm (in.)

Specification		
Dimensions		(ϕ x H) $\phi 267 \times 159$ mm ($\phi 10.51 \times 6.26$ in.)
Weight		Approx. 2400 g (5.30 lb.)
Operating Environment	Temperature	Same as camera
	Humidity	Same as camera
Storage Environment	Temperature	Same as camera
	Humidity	Same as camera

Exterior Materials		
Component Name		Material Abbreviation
(1) COVER		Polycarbonate resin (PC)
External Color		Titanium White (resin color)