

VB-R13

High end indoor PTZ camera with camera with powerful zoom capabilities and superb low light performance.

Versatile PTZ camera featuring a bright 30x zoom lens, 1/3" Full HD CMOS sensor and multiple built-in analytic functions.

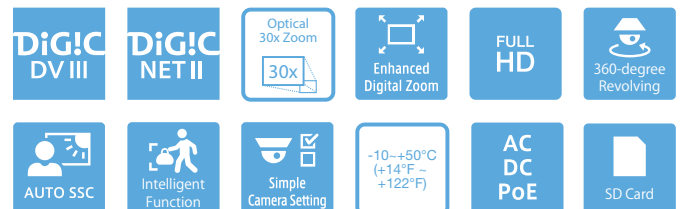


- 30x optical zoom with fast, accurate auto focus and superb low-light performance
- Accurate subject tracking with continuous panning and Auto-Flip
- Enhanced Digital Zoom extends the camera's zoom capabilities while maximising image quality
- Motion Adaptive Noise Reduction and Area-Specific Data Size Reduction (ADSR) maintains video quality while reducing bandwidth usage
- Built-in analytics functions for intelligent and efficient alarm detection
- Configuration and live streaming support across multiple web browsers and mobile devices
- ONVIF® Profile S and Profile G compliant

Product Range

VB-R13

VB-R11
VB-H43/B
VB-M50B
VB-M42/B



Technical Specifications

VB-R13

CAMERA	
Image Sensor	1/3 type CMOS (primary color filter)
Number of Effective Pixels	Approx. 2.1 million pixels
Scanning Method	Progressive
Lens	30x optical zoom (20x digital zoom) lens with auto focus
Focal Length	4.4 (W) - 132 mm (T)
F-number	F1.4 (W) - F4.6 (T)
Viewing Angle	For 16:9 aspect ratios: Horizontal: 62.6° (W) - 2.2° (T) Vertical: 36.9° (W) - 1.3° (T) For 4:3 aspect ratios: Horizontal: 48.5° (W) - 1.7° (T) Vertical: 36.9° (W) - 1.3° (T)
Day/Night Switch	Auto / Day Mode / Night Mode
Min. Subject Illumination	Day Mode (colour): 0.05 lux (F1.4, shutter speed 1/30 sec., SSC off, 50IRE) Night Mode (monochrome): 0.002 lux (F1.4, shutter speed 1/30 sec., SSC off, 50IRE) Smoked Dome fitted (sold separately) Day Mode (colour): 0.1 lux (F1.4, shutter speed 1/30 sec., SSC off, 50IRE) Night Mode (monochrome): 0.004 lux (F1.4, shutter speed 1/30 sec., SSC off, 50IRE)
Focus	Auto / One-shot AF / Manual / Fixed at infinity
Shooting Distance (from front of lens)	Day Mode: 0.3 m (12 in.) - infinity (W), 2.0 m (6.6 ft.) - infinity (T) Night Mode: 1.0 m (3.3 ft.) - infinity (W), 2.0 m (6.6 ft.) - infinity (T)
Shutter Speed	1, 1/2, 1/4, 1/8, 1/15, 1/30, 1/50, 1/60, 1/100, 1/120, 1/250, 1/500, 1/1000, 1/2000, 1/4000, 1/8000, 1/10000, 1/16000 sec.
Exposure	Auto / Auto (Flickerless) / Auto (Shutter-priority AE) / Auto (Aperture-priority AE) / Manual (Shutter Speed, Aperture, Gain)
White Balance	Auto / Light Source / Manual Light Source: Daylight Fluorescent / White Fluorescent Warm Fluorescent / Mercury Lamp / Sodium Lamp / Halogen Lamp Manual: One-shot WB / R Gain / B Gain
Metering Mode	Center-Weighted/Average/Spot
Exposure Compensation	9 levels
Smart Shade Control	Auto / Manual / Disable, Auto: 3 levels, Manual: 7 levels - Brightens shaded areas of a video
Haze Compensation	Auto / Manual / Disable, Auto: 3 levels, Manual: 7 levels
AGC Limit	6 levels
Image Stabilizer	2 levels (digital)
Motion-Adaptive NR (Noise Reduction)	Available
Pan Angle Range	360°continuous panning
Tilt Angle Range	180° (ceiling-mounted position: 0° - 180°) - When the horizontal direction of the camera is 0° NB: - When the tilt angle is between angles below, the dome cover can cause a line to appear in the video, as well as a decline in the video quality 0° - 12° (168° - 180°) (W) 0° - 5° (175° - 180°) (T)
Moving Speed	Pan: Max. 450°/sec. Tilt: Max. 450°/sec.
SERVER	
Video Compression Method	JPEG, H.264
Video Size	JPEG, H.264: 1920 x 1080, 960 x 540, 480 x 270 1280 x 720, 640 x 360, 320 x 180 1280 x 960, 640 x 480, 320 x 240
Video Quality	JPEG, H.264: 10 levels
Frame Rate	JPEG: 0.1 - 30 fps H.264: 1/2/3/5/6/10/15/30 fps - Values represent streaming performance from the camera. - The frame rate may be reduced due to Viewer computer's specs, the number of clients accessing at the same time, network loads, video quality setting, type or movement of the subject or other reasons. Maximum frame rate when used in the following combinations: When streaming H.264(1) (1920 x 1080) and H.264(2) (all sizes) simultaneously: 15 fps When streaming H.264(1) (all sizes) and H.264(2) (1920 x 1080) simultaneously: 15 fps When streaming H.264(1) (1280 x 960) and H.264(2) (1280 x 960) simultaneously: 15 fps When streaming H.264(1) (1280 x 720) and H.264(2) (1280 x 720) simultaneously: 15 fps
I-Frame Interval	0.5/1/1.5/2/3/4/5 sec.
Simultaneous Client Access	Max. 30 Clients + 1 Admin Client - H.264: Max. 10 Clients
Bit Rate Control	Target Bit Rate: 64/128/256/384/512/768/1024/1536/2048/3072/4096/6144/8192/10240/12288/14336/16384 kbps
ADSR: Area-specific Data Size Reduction	Number of Specified Areas: Max. 8 areas Data Size Reduction Level: 3 levels

Security	Camera Control: Administrator, Authorized user, Guest user (level of control varies depending on user) Access Control: User authority (user name and password), Host Access Restrictions (IPv4, IPv6) IEEE802.1X: EAP-MD5, EAP-TLS, EAP-TTLS, EAP-PEAP Encrypted Communications: SSL/TLS, IPsec
Protocol	IPv4, IPv6, TCP/IP, UDP, HTTP, FTP, SNMPv1/v2c/v3 (MIB2), DHCP, DNS, AutoIP, mDNS, ARP, ICMP, POP3, NTP, SMTP, RTP/RTCP, RTSP, SSL/TLS, IPsec, ONVIF, WV-HTTP (Canon proprietary)
Audio Compression Method	G.711 μ -law (64 kbps)
Audio Communication Method	Full-duplex (two-way) - Echo cancellation function compliant RTP, Sound Transfer Protocol by Canon
Audio File Playback	Available (audio files can be played back when an event is triggered by the intelligent function or external device input) - A third-party amplifier speaker is necessary
Privacy Mask	Number of registration: Max. 8 places, Number of mask colors: 1 (select from 9 colors)
Panorama	Available
View Restriction	Available
Preset	Number of registers: Max. 256 positions (+Home Position) Number of Preset Tour Route: Max. 5
Intelligent Function (Video)	Moving Object Detection, Abandoned Object Detection, Removed Object Detection, Camera Tampering Detection, Passing Detection, Intrusion Detection, and Auto Tracking Detection Settings: Max. 15 Non-detection Area Settings: Available
Intelligent Function (Audio)	Volume Detection, Scream Detection
Event Trigger Type	External Device Input, Intelligent Function (Video), Intelligent Function (Audio), Timer, Day/Night Switch Number of Linked Events: 2 Linked Event Conditions: OR, AND (whether or not there is a sequence to events)
Image Upload	FTP/HTTP/SMTP (e-mail)
Event Notification	HTTP/SMTP (e-mail)
Log Notification	SMTP (e-mail)
Enhanced Digital Zoom	Available
Maximum Digital Zoom Magnification Selection	5x/10x/15x/20x Available English/Chinese (Simplified)/Japanese
Daylight Saving Time	Available
INTERFACE	
Network Terminal	LAN x 1 (RJ45, 100Base-TX (auto/full-duplex/half-duplex))
Audio Input Terminal (common for LINE IN & MIC IN)	ϕ 3.5 mm (ϕ 0.14 in.) mini-jack connector (monaural) LINE IN (connect to an amplifier microphone) or MIC IN (connect to a microphone w/o amplifier) - Switch LINE IN/MIC IN in the setting page.
Audio Output Terminal (LINE OUT)	ϕ 3.5 mm (ϕ 0.14 in.) mini-jack connector (monaural) LINE OUT (connect to an amplifier speaker)
External Device I/O Terminal	Input x 2, Output x 2
Memory Card	SD Memory Card, SDHC Memory Card, SDXC Memory Card Compatible. Recorded Content: Log, Video (Event, Manual, ONVIF, Timer, Upload) Frame Rate: Max. 1 fps (JPEG) Max. 30 fps (H.264) - To insure reliability in the recording speed, it is recommended to use CLASS 10 rated products. Even when using CLASS 10 products, reliability cannot be guaranteed during heavy access loads (e.g., when recording and deleting data at the same time).
OTHER	
Operating Environment	Temperature AC, DC, PoE: -10°C - +50°C (+14°F - +122°F) Humidity 5% - 85% (without condensation)
Installation Method	Ceiling mount - Canon will not guarantee proper operation if the cameras are installed on surfaces where the angle is more than \pm 5° from horizontal or on walls, because this will put a heavy load onto sliding mechanical parts and may affect durability.
Power Supply	PoE: PoE power supply via LAN connector (IEEE802.3at Type1 compliant) AC Adapter: PA-V18 (100 - 240 V AC) (sold separately) External power source: 24 V AC/12 V DC
Power Consumption	PoE: Max. approx. 10.7 W*1 AC Adapter PA-V18: Max. approx. 11.3 W (100 V AC) Max. approx. 11.1 W (240 V AC) DC: Max. approx. 9.7 W AC: Max. approx. 10.2 W *1 Class 0 power sourcing equipment (requests 15.4 W)
Dimensions	(ϕ x H) ϕ 199 x 199 mm (ϕ 7.83 x 7.83 in.) - Camera only (excluding Ceiling Plate)
Weight	Approx. 1990 g (4.39 lb.)
International Standard	EN55032 Class B, FCC part15 subpart B Class B, ICES-003 Class B, VCCI Class B, RCM AS/NZS EN55032 Class B, CNS13438 Class B, KN32 Class B, EN55024, KN35, EN50581 IEC/UL/EN 60950-1, EN50130-4

Technical Specifications

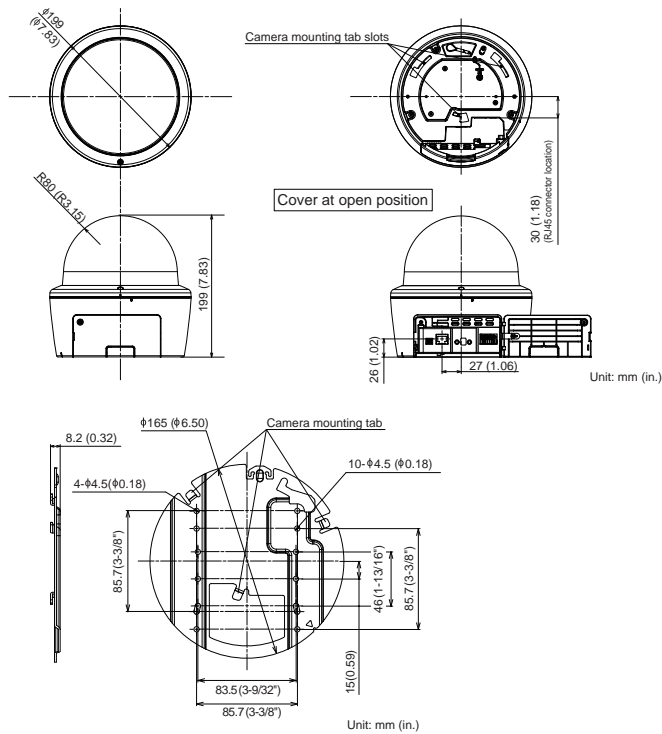
VB-R13

APPLICATION	
Viewer	Camera Viewer Mobile Camera Viewer
Included Software	Camera Management Tool RM-Lite Recorded Video Utility
Language	German / English / Spanish / French / Italian / Polish / Russian Thai / Turkish Chinese (Simplified) / Japanese
Operating System/ Compatible Browser	Windows Vista, Internet Explorer 9 Windows 7, Internet Explorer 11/Chrome 54 Windows 8.1, Internet Explorer 11/Chrome 54 Windows 10, Internet Explorer 11/Microsoft Edge/Chrome 54 Windows Server 2008, Internet Explorer 9 Windows Server 2008 R2, Internet Explorer 11/Chrome 54 Windows Server 2012, Internet Explorer 10/Chrome 54 Windows Server 2012 R2, Internet Explorer 11/Chrome 54 Windows Server 2016, Internet Explorer 11/Chrome 54
Verified Mobile Devices	Surface, iPad, iPhone, Nexus, Galaxy

What's in the box?

- VB-R13 Main Unit
- Setup CD-ROM
- Ceiling Plate
- Wrench
- Template
- Power Connector
- Installation Guide
- Warranty Card
- Leaflet of Warranty Card
- Caution When Using Memory Cards

Dimensions



Compatible Accessories



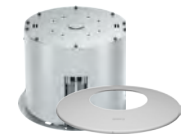
SR640-S-VB
Recessed Mounting Kit



PC640-VB
Pendant Mounting Kit



PA-V18
AC Power Supply
*Available in Euro 2-Pin
& UK 3-Pin plug



SR640-P-VB
Plenum Recessed Mounting Kit
(Fire resistant)



DU640-S-VB
Smoked Dome Unit

High end indoor PTZ camera with camera with powerful zoom capabilities and superb low light performance.

VB-R13



Versatile PTZ camera featuring a bright 30x zoom lens, 1/3" Full HD CMOS sensor and multiple built-in analytic functions.

Sales Start Date: August 2016

Product Details:

Product Name	Mercury Code	EAN Code
Network Camera VB-R13	1383C001AB	4549292075014

Optional Accessories:

Product Name	Mercury Code	EAN Code
Recessed Mounting Kit SR11-S-VB	0714C001AA	4549292043488
Plenum Recessed Mounting Kit SR11-P-VB	0716C001AA	4549292043501
Pendant Mounting Kit PC640-VB	0719C001AA	4549292043532
Smoked Dome Unit DU10-S-VB	0721C001AA	4549292043556
AC Adapter PA-V18 (E)	8362B002AA	4960999986791
AC Adapter PA-V18 (GB)	8362B003AA	4960999986319

Measurement / Logistic Information:

Product Name	Mercury code	Pack type	Pack description	Quantity per pack	Length (mm)	Width (mm)	Height (mm)	Net Weight (kg)	Gross Weight (kg)
Network Camera VB-R13	1383C001AB	EA	Each	1	283	323	302	2.0	3.6
		CT	Carton	2	322	588	359	4.0	
		EP	Euro Pallet	12				23.9	