

AXIS P33 Network Camera Series

Fixed domes for any environment with remote focus and zoom.



- > High-performance video including HDTV quality
- > Multiple H.264 video streams
- > Easy installation with remote focus and zoom
- > Outdoor-ready models designed for extreme temperatures
- > Power over Ethernet

AXIS P33 Network Cameras constitute a series of indoor and outdoor-ready fixed domes designed for efficient installation. Offering high performance video, including HDTV image quality and multiple H.264 streams, these cameras are ideal for unobtrusive video surveillance in exposed areas such as airports, subways, retail stores, schools and university campuses.

AXIS P33 Series delivers superb video quality in 30 frames per second in full resolution. AXIS P3343 Network Cameras provide SVGA resolution, whereas the AXIS P3344 models offer 1MP, or HDTV 720p in compliance with the SMPTE standard in resolution, color representation and frame rate.

AXIS P33 Network Cameras support automatic day and night functionality with removable infrared-cut filter for increased light sensitivity.

AXIS P33 Series provides multiple, individually configurable video streams in H.264 compression, which greatly optimizes bandwidth and storage without compromising image quality. Motion JPEG is also supported for increased flexibility.

The remote focus feature allows for convenient installation eliminating the need for hands-on focusing at the camera, and the remote zoom and pixel counter features ensure that the camera's viewing angle is optimized for the scene and pixel resolution.

AXIS P33 Network Cameras range from standard indoor models to vandal-resistant outdoor models, perfectly adapted for harsh environments. All models in AXIS P33 Series have low, environment friendly power consumption, supplied by standard Power over Ethernet (IEEE 802.3af). This is the case even for the weather-proof models that operate in extreme temperatures from -40° to 55° C (-40° to 131 °F).



Fixed domes designed for efficient installation – indoors or outdoors

AXIS P33 Series is the perfect choice for a wide range of demanding video applications in outdoor and indoor environments. AXIS P33 Network Cameras are designed for professional video surveillance with easy and reliable installation in focus.

Outdoor-ready installation for extreme temperatures

The outdoor models of AXIS P33 Series are specially designed for reliable, vandal-resistant and weather-proof installation, with pre-installed heater and fan, and an integrated dehumidifying membrane eliminating any humidity caught in the camera casing during installation. These cameras come with a 5 m (16 ft.) Ethernet cable with a pre-mounted, specially designed gasket, enabling flush wall mounting and requiring no additional sealant. A weather shield is also included for effective protection against reflections from sunlight, or build-ups of rain or snow.

Mounting options

AXIS P33 Series offers a wide range of optional indoor and outdoor mounting kits for installation in a drop ceiling or on a wall, pole, corner or junction box, etc. Both indoor and outdoor camera models include a smoked transparent cover as an alternative to the clear cover, for additional flexibility.

Easy installation with remote focus and zoom

AXIS P33 Network Cameras offer unique installation capabilities with remote focus and zoom. The remote focus feature enables convenient focusing over the network, eliminating the need for hands-on fine-tuning at the camera. The remote zoom functionality ensures that the viewing angle is optimized for the area to be monitored.

Unique pixel counter feature

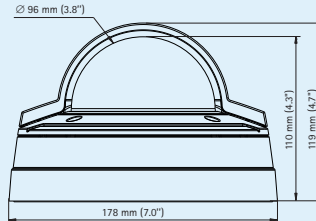
The unique pixel counter offered in AXIS P33 Series allows the installer to easily verify that the camera installation fulfills any regulatory or specific customer requirements, for example calculating the pixel resolution of the face of a person passing a doorway monitored by the camera.



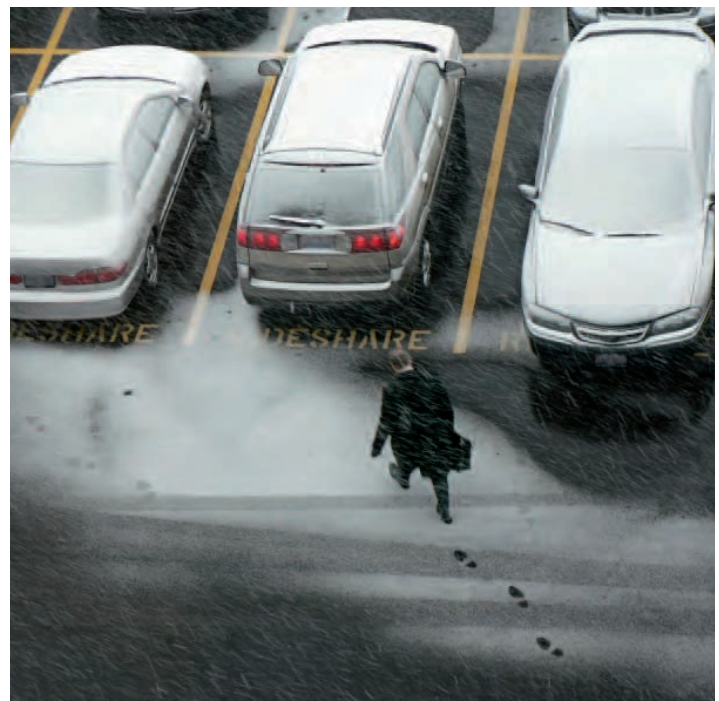
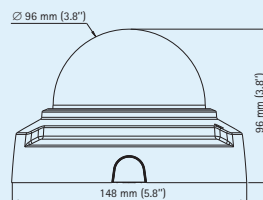
Unique pixel counter feature



AXIS P3343-VE /P3344-VE

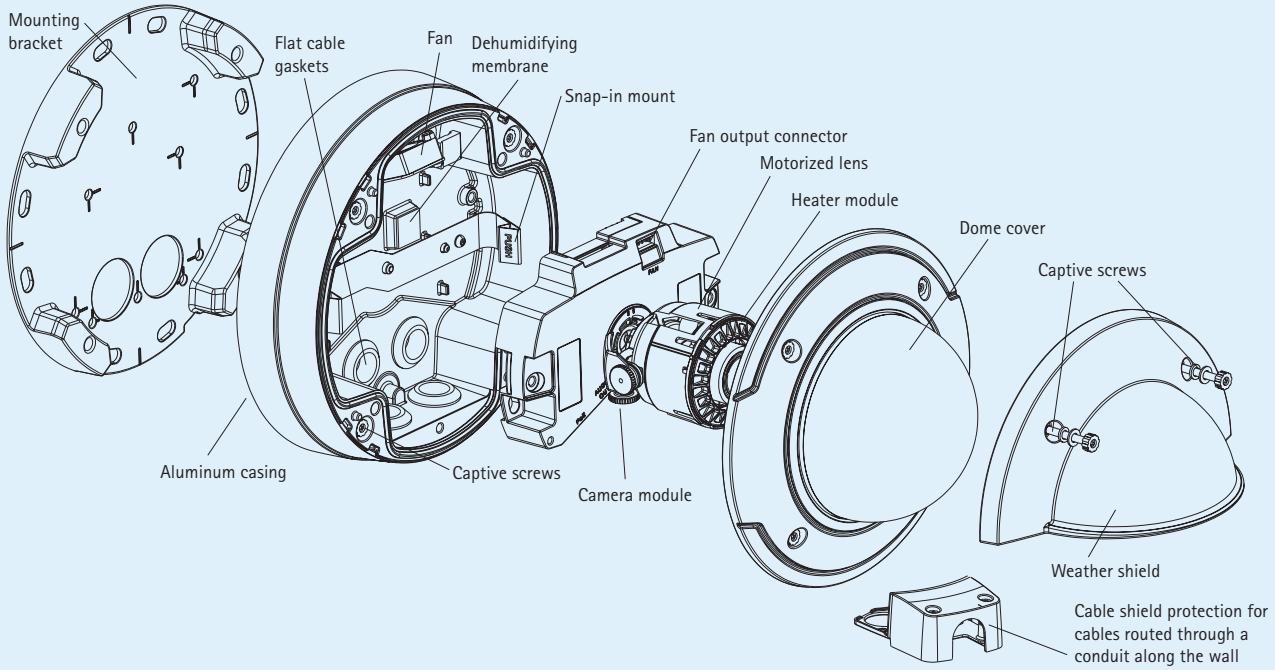


AXIS P3343-V/P3344-V

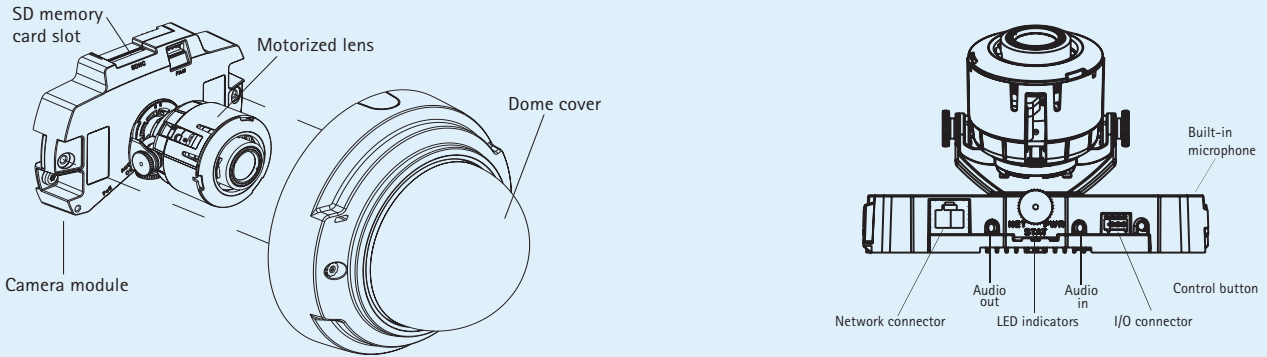


Extreme temperature installation

AXIS P3343-VE and AXIS P3344-VE



AXIS P3343/-V and AXIS P3344/-V



Optional accessories for outdoor models

Pendant adapter kit including weather shield



AXIS T91A Brackets



Wall



Corner

I/O audio cable, 5 m (16 ft.)



Optional accessories for indoor models

AXIS T91A Brackets



Ceiling



Wall

Mounting bracket



Drop-ceiling mount kit with transparent or smoked cover



Pendant adapter kit



For information on AXIS Camera Station and video management software from Axis' Application Development Partners, see www.axis.com/products/video/software/

Technical Specifications – AXIS P3343/-V/-VE and AXIS P3344/-V/-VE Network Cameras

Camera	
Models	AXIS P3343: SVGA resolution, tamper-resistant, indoor AXIS P3343-V: SVGA, vandal-resistant, indoor AXIS P3343-VE: SVGA, vandal-resistant, outdoor AXIS P3344: 1MP/HDTV 720p, tamper-resistant, indoor AXIS P3344-V: 1MP/HDTV 720p, vandal-resistant, indoor AXIS P3344-VE: 1MP/HDTV 720p, vandal-resistant, outdoor 6mm or 12mm as suffix specifies lens option
Image sensor	1/4" Progressive scan RGB CMOS
Lens	Varifocal remote zoom and focus, DC-iris, IR corrected AXIS P3343/-V/-VE 6mm: 2.5-6 mm, 72°-34° view*, F1.2 AXIS P3343/-V/-VE 12mm: 3.3-12 mm, 54°-17° view*, F1.4 AXIS P3344/-V/-VE 6mm: 2.5-6 mm, 87°-40° view*, F1.4 AXIS P3344/-V/-VE 12mm: 3.3-12 mm, 70°-20° view*, F1.6 * horizontal angle of view
Day and night	Automatically removable infrared-cut filter
Minimum illumination	AXIS P3343/-V/-VE 6mm: Color: 0.2 lux, F1.2, B/W: 0.04 lux, F1.2 AXIS P3343/-V/-VE 12mm: Color: 0.3 lux, F1.4, B/W: 0.05 lux, F1.4 AXIS P3344/-V/-VE 6mm: Color: 0.3 lux, F1.4, B/W: 0.05 lux, F1.4 AXIS P3344/-V/-VE 12 mm: Color: 0.4 lux, F1.6, B/W: 0.06 lux, F1.6
Shutter time	1/25000 s to 1/6 s
Camera angle adjustment	Pan 360°, tilt 170°, rotation 340°
Pan/Tilt/Zoom	Digital PTZ, preset positions, guard tour
Video	
Video compression	H.264 Baseline Profile (MPEG-4 Part 10/AVC) Motion JPEG
Resolutions	AXIS P3343/-V/-VE: 800x600 (SVGA) to 160x90 AXIS P3344/-V/-VE: 1280x800 to 160x90
Frame rate H.264	30 fps in all resolutions
Frame rate Motion JPEG	30 fps in all resolutions
Video streaming	Multiple, individually configurable streams in H.264 and Motion JPEG Controllable frame rate and bandwidth VBR/CBR H.264
Image settings	Compression, color, brightness, sharpness, contrast, white balance, exposure control, exposure zones, backlight compensation, wide dynamic range - dynamic contrast, fine tuning of behavior at low light Rotation: 0°, 90°, 180°, 270°, including Axis' Corridor Format Mirroring of images Text and image overlay Privacy mask
Audio (AXIS P3343/-V and AXIS P3344/-V)	
Audio streaming	Two-way
Audio compression	AAC LC 8/16 kHz G.711 PCM 8 kHz G.726 ADPCM 8 kHz Configurable bit rate
Audio input/output	External microphone input or line input, line level output Built-in microphone (can be disabled)

Network	
Security	Password protection, IP address filtering, digest authentication, user access log, IEEE 802.1X** network access control, HTTPS** encryption
Supported protocols	IPv4/v6, HTTP, HTTPS**, SSL/TLS**, QoS Layer 3 DiffServ, FTP, CIFS/SMB, SMTP, Bonjour, UPnP™, SNMPv1/v2c/v3(MIB-II), DNS, DynDNS, NTP, RTSP, RTP, TCP, UDP, IGMP, RTCP, ICMP, DHCP, ARP, SOCKS
System integration	
Application Programming Interface	Open API for software integration, including the ONVIF specification available at www.onvif.org , as well as VAPIX® and AXIS Camera Application Platform from Axis Communications, specifications available at www.axis.com Support for AXIS Video Hosting System (AVHS) with One-Click Camera connection
Intelligent video	Video motion detection, active tampering alarm, audio detection Support for AXIS Camera Application Platform enabling installation of additional applications
Event triggers	Intelligent video, edge storage, external input
Event actions	File upload: FTP, HTTP, network share and email Notification: email, HTTP and TCP External output activation Video and audio recording to edge storage Play audio clip Pre- and post-alarm video buffering PTZ preset, guard tour
Data streaming	Event data
Built-in installation aids	Remote zoom, remote focus, pixel counter
General	
Casing	Polycarbonate transparent cover Aluminum inner camera module with encapsulated electronics AXIS P3343/P3344: Tamper-resistant polycarbonate casing AXIS P3343-V/P3344-V: IK10 impact-resistant casing with aluminum base AXIS P3343-VE/P3344-VE: IP66- and NEMA 4X-rated, 1000 kg (2200 lb.) impact-resistant aluminum casing with integrated dehumidifying membrane
Processor	128 MB RAM, 128 MB Flash
Power	Power over Ethernet IEEE 802.3af AXIS P3343-V and AXIS P3344-V: Class 2 AXIS P3343-VE and AXIS P3344-VE: Class 3
Connectors	RJ-45 10BASE-T/100BASE-TX PoE Terminal block for 1 alarm input and 1 output 3.5 mm mic/line in, 3.5 mm line out
Edge storage	SD/SDHC memory card slot (card not included) Support for recording to network share (Network Attached Storage or file server)
Operating conditions	AXIS P3343-V and AXIS P3344-V: 0 °C to 50 °C (32 °F to 122 °F) Humidity 10 - 85% RH (non-condensing) AXIS P3343-VE/P3344-VE: -40 °C to 55 °C (-40 °F to 131 °F) Humidity 10 - 100% RH (condensing)
Approvals	EN 55022 Class B, EN 61000-3-2, EN 61000-3-3, EN 55024, EN 61000-6-1, EN 61000-6-2, FCC Part 15 Subpart B Class B, ICES-003 Class B, VCCI Class B, C-tick AS/NZS CISPR 22, EN 60950-1 AXIS P3343-VE/P3344-VE: EN 50121-4, IEC 62236-4, EN 60950-22, IEC 60529 IP66, NEMA 250 Type 4X
Weight	AXIS P3343/P3344: 445 g (1.0 lb.) AXIS P3343-V/P3344-V: 660 g (1.5 lb.) AXIS P3343-VE/P3344-VE: 1.4 kg (3.1 lb.)
Included accessories	Mounting and connector kits, Installation Guide, Installation and Management Software CD, Windows decoder 1-user license, smoked transparent cover AXIS P3343-VE/P3344-VE: Mounting bracket, cable shield, weather shield, 5 m (16ft.) network cable with pre-mounted gasket

**This product includes software developed by the OpenSSL Project for use in the OpenSSL Toolkit. (www.openssl.org)

More information is available at www.axis.com