

VB-H630D



Keep every angle covered

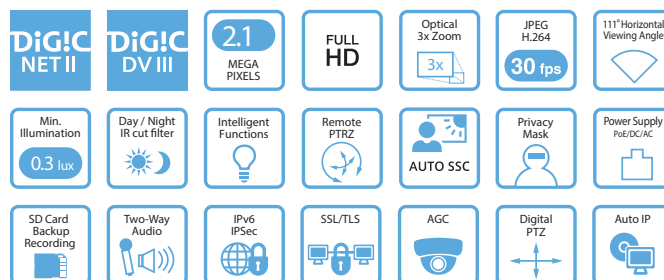
The VB-H630D Full HD fixed dome IP security camera is ideal for indoor conditions. Monitor and record activity day and night with an ultra-wide 111° field of view.



- Full HD fixed dome IP security camera
- 3x optical zoom lens with ultra-wide 111° field of view
- True Day / Night and two-way audio
- Superior image quality using Canon DIGIC DV III processor
- Canon DIGIC NET II supports dual H.264 video streams (up to 30 fps)
- Remote Pan / Tilt / Rotate / Zoom (PTRZ) function reduces installation time
- Superior low-light performance: colour at 0.3 lux and mono at 0.015 lux
- Auto Smart Shade Control (Auto-SSC) improves foreground objects in bright backlit scenes
- Intelligent Functions

Product Range

VB-M641V
VB-M640V
VB-H630D
VB-M620D
VB-S800D
VB-S805D



Technical Specifications

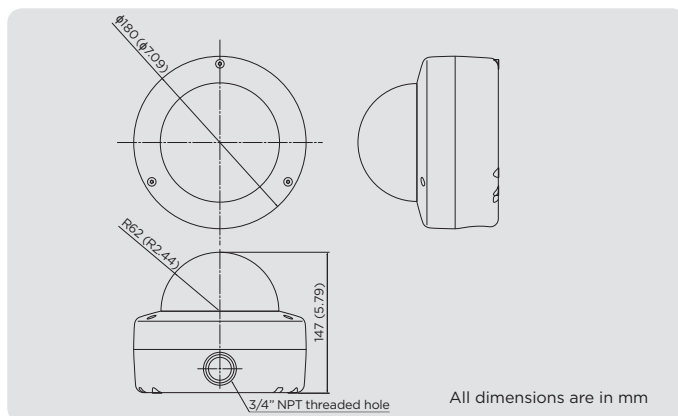
VB-H630D

IMAGE SENSOR	
Image Sensor	1/3 type CMOS (primary colour filter)
Number of Effective Pixels	Approx. 2.1 million pixels
Scanning Method	Progressive
Lens	3x optical (4x digital zoom) zoom lens (electric drive)
Focal Length	2.8 (W) – 8.4 mm (T) (W): maximum wide angle, (T): maximum telephoto
F-number	F1.2 (W) – F2.0 (T)
Viewing Angle	For 16:9 aspect ratios: Horizontal: 111.0° (W) – 36.5° (T) Vertical: 60.1° (W) – 20.5° (T) For 4:3 aspect ratios: Horizontal: 81.2° (W) – 27.3° (T) Vertical: 60.1° (W) – 20.5° (T)
Day/Night Switch	Auto / Day Mode / Night Mode
Min. Subject Illumination	Day Mode (colour): 0.3 lux (F1.2, shutter speed 1/30 sec., when SSC is off, 50IRE) 0.02 lux (F1.2, shutter speed 1/2 sec., when SSC is off, 50IRE) 0.008 lux (F1.2, shutter speed 1/2 sec., when SSC is on, 50IRE) Night Mode (monochrome): 0.015 lux (F1.2, shutter speed 1/30 sec., when SSC is off, 50IRE) 0.001 lux (F1.2, shutter speed 1/2 sec., when SSC is off, 50IRE) 0.0005 lux (F1.2, shutter speed 1/2 sec., when SSC is on, 50IRE)
Focus	One-shot AF / Manual / Fixed at infinity
Shooting Distance (from front of lens)	Day Mode: 0.3 m (12 in.) – infinity Night Mode: 1.0 m (3.3 ft.) – infinity
Shutter Speed	1, 1/2, 1/4, 1/8, 1/15, 1/30, 1/60, 1/100, 1/120, 1/250, 1/500, 1/1000, 1/2000, 1/4000, 1/8000, 1/10000, 1/16000 sec.
Exposure	Auto/Auto (Flickerless)/Auto (Shutter-priority AE)/Manual (Shutter Speed, Aperture, Gain)
White Balance	Auto / Light Source (Daylight Fluorescent / White Fluorescent / Warm Fluorescent / Mercury Lamp / Sodium Lamp / Halogen Lamp) / Manual (One-shot WB / R Gain/B Gain)
Metering Mode	Center-Weighted / Average / Spot
Exposure Compensation	9 levels
Smart Shade Control	Auto / Manual / Disable Auto: 3 levels Manual: 7 levels
Haze Compensation	Auto / Manual / Disable Auto: 3 levels Manual: 7 levels
AGC Limit	5 levels
Pan Angle Range	350° (±175°)
Tilt Angle Range	150° (±75°)
Rotation Angle Range	350° (±175°)
Moving Speed	Pan: 17.1°/sec., Tilt: 12.6°/sec., Rotation: 25.9°/sec. - When the Camera Angle Setting Tool is used
SERVER UNIT	
Video Compression Method	JPEG, H.264
Video Size	JPEG, H.264: 1920 x 1080, 960 x 540, 480 x 270 1280 x 720, 640 x 360, 320 x 180 1280 x 960, 640 x 480, 320 x 240
Video Quality	JPEG, H.264: 5 levels
Frame Rate	JPEG: 0.1 – 30 fps H.264: 1/2/3/5/6/10/15/30 fps - Values represent streaming performance from the camera. - The frame rate may be reduced due to Viewer PC's specs, the number of clients accessing at the same time, network loads, video quality setting, type or movement of the subject or other reasons.
Max. Frame Rate	When streaming JPEG, H.264 (1920 x 1080): 30 fps When used in the following combinations: When streaming H.264(1) (1920 x 1080) and H.264(2) (all sizes) simultaneously: 15 fps When streaming H.264(1) (all sizes) and H.264(2) (1920 x 1080) simultaneously: 15 fps When streaming H.264(1) (1280 x 960) and H.264(2) (1280 x 960) simultaneously: 15 fps When streaming H.264(1) (1280 x 720) and H.264(2) (1280 x 720) simultaneously: 15 fps
I-Frame Interval	0.5/1/1.5/2/3/4/5 sec.
Simultaneous Client Access	Max. 30 Clients + 1 Admin Client - H.264: Max. 10 Clients
Camera Control	Administrator, Authorized user, Guest user (level of control varies depending on user) Max. 50 user names and passwords registered for authorized users.
Access Control	User authority (user name and password), Host Access Restrictions (IPv4, IPv6)
Encrypted Communications	SSL / TLS, IPsec (Auto Key Exchange / Manual)
IEEE802.1X	EAP-MD5, EAP-TLS, EAP-TTLS, EAP-PEAP
Protocol	IPv4: TCP / IP, UDP, HTTP, FTP, SNMPv1 / v2c / v3 (MIB2), SMTP (Client), DHCP (Client), DNS (Client), mDNS, ARP, ICMP, POP3, NTP, SMTP authentication, RTSP, WV-HTTP (Canon proprietary), ONVIF IPv6: TCP / IP, UDP, HTTP, FTP, SMTP (Client), DHCPv6 (Client), DNS (Client), mDNS, ICMPv6, POP3, NTP, SMTP authentication, RTSP, WV-HTTP (Canon proprietary), ONVIF

AutoIP	Available
Audio Compression Method	G.711 μ-law (64 kbps)
Audio Communication Method	Full-duplex (two-way) – Echo cancellation function compliant Sound Transfer Protocol by Canon
Audio File Playback	Available (audio files can be played back when an event is triggered by the intelligent function or external device input.) - Requires third-party amplifier & speaker
Privacy Mask	Number of registration: Max. 8 places, Number of mask colours: 1 (select from 9 colours)
Preset	Max. 20 positions
Intelligent Function	Video: Detection Types: moving object detection, abandoned object detection, removed object detection, camera tampering detection, and passing detection Detection Settings: Max. 15 Volume: Volume Detection
Event Trigger Type	External Device Input, Intelligent Function (Video), Intelligent Function (Volume), Timer
Image Upload	FTP / HTTP / SMTP (e-mail) Temporary storage memory in camera: Max. approx. 5 MB Frame Rate: Max. 10 fps (JPEG) Max. 30 fps (H.264)
Event Notification	HTTP / SMTP (e-mail)
Image Cropping Function	Digital PTZ Cropping sizes: 640 x 360 / 512 x 288 / 384 x 216 / 256 x 144 / 128 x 72 640 x 480 / 512 x 384 / 384 x 288 / 256 x 192 / 128 x 96
On-Screen Display	Available
Daylight Saving Time	Available
Custom Settings	Number of registers: 4 Items to Reg.: Exposure, Smart Shade Control, Haze Compensation, Focus, White Balance, Image Quality Adjustment, Day / Night
APPLICATION	
Viewer	Camera-side: Admin Viewer VB Viewer
Admin Tools	Privacy Mask Setting Tool Preset Setting Tool Intelligent Function Setting Tool Log Viewer Recorded Video Utility
Included Software	Camera Management Tool RM-Lite Proxy Authentication Admin Tools/Admin Viewer Camera Angle Setting Tool
Language	German / English / Spanish / French / Italian / Russian / Turkish / Chinese (Simplified) / Japanese
INTERFACE	
Network Terminal	LAN x 1 (RJ45, 100Base-TX (auto / full-duplex / half-duplex))
Audio Input Terminal (common for LINE IN & MIC IN)	Φ3.5 mm (Φ0.14 in.) mini-jack connector (monaural) - Connect via an audio interface cable (included) Switch LINE IN / MIC IN in the setting page. LINE IN x 1 (connect to an amplifier microphone) or MIC IN x 1 (connect to a microphone w/o amplifier)
Audio Output Terminal (LINE OUT)	Φ3.5 mm (Φ0.14 in.) mini-jack connector (monaural) - Connect via an audio interface cable (included) LINE OUT x 1 (connect to an amplifier speaker)
External Device I/O Terminal	Input x 2, Output x 2
Memory Card	SD Memory Card, SDHC Memory Card, SDXC Memory Card Compatible. Frame Rate: Max. 1 fps (JPEG)
OTHER	
Operating Environment	Temperature: -10°C – +50°C (+14°F – +122°F) Humidity: 5% – 85% (without condensation)
Power Supply	PoE: PoE power supply via LAN connector (IEEE802.3af compliant) AC Adapter: PA-V17 or PA-V18 (100 – 240 V AC) (sold separately) External power source: 24 V AC/12 V DC
Power Consumption	When using PoE: Max. approx. 7.8 W*
Dimensions	(Φ x H) Φ186 x 140 mm (Φ7.32 x 5.51 in.)
Weight	Approx. 1190 g (2.63 lb.)

All data is based on Canon standard testing methods except where indicated. Subject to change without notice.
* and *: All company and / or product names are trademarks and / or registered trademarks of their respective manufacturers in their markets and / or countries.

Dimensions



Connectivity



- 1 Network Interface** RJ45, 100Base-TX (Auto / Full-duplex / Half-duplex)
- 2 Power Connection** Terminal 12V DC / 24V AC
- 3 Audio Input / Output** Individual 3.5mm mono mini-jack (via supplied interface cable)
- 4 External Device I/O** 2 x Inputs / 2 x Outputs
- 5 Memory Card Slot** SD, SDHC and SDXC Memory Card compatible

Keep every angle covered

VB-H630D

The VB-H630D Full HD fixed dome IP security camera is ideal for indoor conditions. Monitor and record activity day and night with an ultra-wide 111° field of view



Sales Start Date: December 2014

Product Details:

Product Name	Mercury Code	EAN Code	Recommended Retail Price
Network Camera VB-H630D	9904B001AA	4549292025606	<Please fill in RRP>

Optional Accessories:

Product Name	Mercury Code	EAN Code	Recommended Retail Price
AC Adapter PA-V18 (E)	8362B002AA	4960999986791	<Please fill in RRP>
AC Adapter PA-V17 (GB)	2245B003AA	8714574559469	<Please fill in RRP>
Recessed Mounting Kit (SR600-VB)	5091B001AA	4960999688671	<Please fill in RRP>
Junction Box Mounting Kit (PS600-VB)	5004B001AA	4960999688688	<Please fill in RRP>
Pendant Mounting Kit (PC600-VB)	9918B001AA	4549292022551	<Please fill in RRP>

Measurement / Logistic Information:

Product Name	Mercury code	Pack type	Pack description	Quantity per pack	Length (mm)	Width (mm)	Height (mm)	Net Weight (Kg)	Gross Weight (Kg)
Network Camera VB-H630D	9904B001AA	EA	Each	1	236	228	230.5	Approx. 1.20	Approx. 1.53
		CT	Carton	4	483	478	276	Approx. 4.80	Approx. 7.14
		EP	Euro Pallet	—	—	—	—	—	—

What's in the box?

- VB-H630D Main Unit
- Power Connector
- Safety Wire
- Audio Interface Cable
- Template
- Setup CD-ROM
- Installation Guide
- Warranty Card
- Notice