

# VB-M620VE



## Keep every angle covered

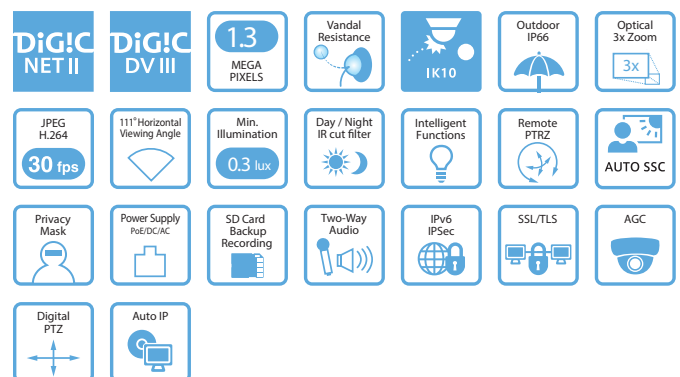
The VB-M620VE 1.3 MP fixed dome IP security camera with vandal-resistant and IP66 rated body is ideal for harsh outdoor conditions. Monitor and record activity day and night with an ultra-wide 111° field of view.



- 1.3 MP vandal-resistant, IP66 and IK10 compliant fixed dome IP security camera
- 3x optical zoom lens with ultra-wide 111° field of view
- True Day / Night and two-way audio
- Superior image quality using Canon DIGIC DV III processor
- Canon DIGIC NET II supports dual H.264 video streams (up to 30 fps)
- Remote Pan / Tilt / Rotate / Zoom (PTRZ) function reduces installation time
- Superior low-light performance: colour at 0.3 lux and mono at 0.015 lux
- Auto Smart Shade Control (Auto-SSC) improves foreground objects in bright backlit scenes
- Low operating temperature of down to -30°C (with optional heating unit)
- Intelligent Functions

### Product Range

VB-M641VE  
VB-M640VE  
VB-H630VE  
**VB-M620VE**



**Canon**

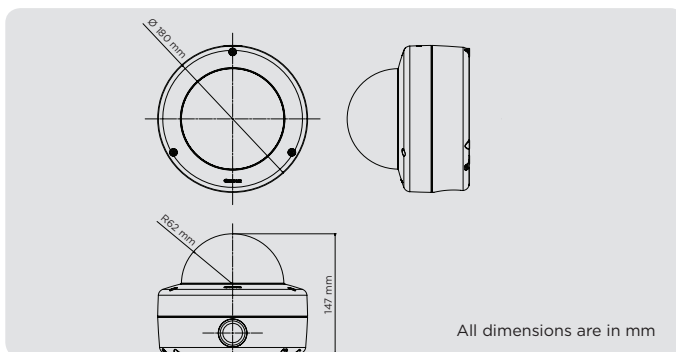
# Technical Specifications

# VB-M620VE

<b>CAMERA</b>	
<b>Image Sensor</b>	1/3 type CMOS (primary colour filter)
<b>Number of Effective Pixels</b>	Approx. 1.3 million pixels
<b>Scanning Method</b>	Progressive
<b>Lens</b>	3x optical (4x digital zoom) zoom lens (electric drive)
<b>Focal Length</b>	2.8 (W) – 8.4 mm (T) (W): maximum wide angle, (T): maximum telephoto
<b>F-number</b>	F1.2 (W) – F2.0 (T)
<b>Viewing Angle</b>	For 16:9 aspect ratios: Horizontal: 111.0° (W) – 36.5° (T) Vertical: 60.1° (W) – 20.5° (T) For 4:3 aspect ratios: Horizontal: 81.2° (W) – 27.3° (T) Vertical: 60.1° (W) – 20.5° (T)
<b>Day / Night Switch</b>	Auto / Day Mode / Night Mode
<b>Min. Subject Illumination</b>	Day Mode (colour): 0.3 lux (F1.2, shutter speed 1/30 sec., when SSC is off, 50IRE) 0.02 lux (F1.2, shutter speed 1/2 sec., when SSC is off, 50IRE) 0.008 lux (F1.2, shutter speed 1/2 sec., when SSC is on, 50IRE) Night Mode (monochrome): 0.015 lux (F1.2, shutter speed 1/30 sec., when SSC is off, 50IRE) 0.001 lux (F1.2, shutter speed 1/2 sec., when SSC is off, 50IRE) 0.0005 lux (F1.2, shutter speed 1/2 sec., when SSC is on, 50IRE)
<b>Focus</b>	One-shot AF / Manual / Fixed at infinity
<b>Shooting Distance (from front of lens)</b>	Day Mode: 0.3 m (12 in.) – infinity Night Mode: 1.0 m (3.3 ft.) – infinity
<b>Shutter Speed</b>	1, 1/2, 1/4, 1/8, 1/15, 1/30, 1/60, 1/100, 1/120, 1/250, 1/500, 1/1000, 1/2000, 1/4000, 1/8000, 1/10000, 1/16000 sec.
<b>Exposure</b>	Auto/Auto (Flickerless)/Auto (Shutter-priority AE)/Manual (Shutter Speed, Aperture, Gain)
<b>White Balance</b>	Auto / Light Source (Daylight Fluorescent / White Fluorescent / Warm Fluorescent / Mercury Lamp / Sodium Lamp / Halogen Lamp) / Manual (One-shot WB / R Gain / B Gain)
<b>Metering Modes</b>	Center-Weighted / Average / Spot
<b>Exposure Compensation</b>	9 levels
<b>Smart Shade Control</b>	Auto / Manual / Disable Auto: 3 levels Manual: 7 levels
<b>Haze Compensation</b>	Auto / Manual / Disable Auto: 3 levels Manual: 7 levels
<b>AGC Limit</b>	5 levels
<b>Pan Angle Range</b>	350° (±175°)
<b>Tilt Angle Range</b>	150° (±75°)
<b>Rotation Angle Range</b>	350° (±175°)
<b>Moving Speed</b>	Pan: 17.1°/sec., Tilt: 12.6°/sec., Rotation: 25.9°/sec. – When the Camera Angle Setting Tool is used
<b>SERVER UNIT</b>	
<b>Video Compression Method</b>	JPEG, H.264
<b>Video Size</b>	JPEG, H.264: 1280 x 720, 640 x 360, 320 x 180 1280 x 960, 640 x 480, 320 x 240
<b>Video Quality</b>	JPEG, H.264: 5 levels
<b>Frame Rate</b>	JPEG: 0.1 – 30 fps H.264: 1/2/3/5/6/10/15/30 fps – Values represent streaming performance from the camera. – The frame rate may be reduced due to Viewer PC's specs, the number of clients accessing at the same time, network loads, video quality setting, type or movement of the subject or other reasons.
<b>Max. Frame Rate</b>	When streaming JPEG, H.264 (1280 x 960): 30 fps When used in the following combinations: When streaming H.264(1) (1280 x 960) and H.264(2) (1280 x 960) simultaneously: 15 fps When streaming H.264(1) (1280 x 720) and H.264(2) (1280 x 720) simultaneously: 15 fps
<b>I-Frame Interval</b>	0.5/1/1.5/2/3/4/5 sec.
<b>Simultaneous Client Access</b>	Max. 30 Clients + 1 Admin Client – H.264: Max. 10 Clients
<b>Camera Control</b>	Administrator, Authorized user, Guest user (level of control varies depending on user) Max. 50 user names and passwords registered for authorized users.
<b>Access Control</b>	User authority (user name and password), Host Access Restrictions (IPv4, IPv6)
<b>Encrypted Communications</b>	SSL / TLS, IPsec (Auto Key Exchange / Manual)
<b>IEEE802.1X</b>	EAP-MD5, EAP-TLS, EAP-TTLS, EAP-PEAP
<b>Protocol</b>	IPv4: TCP / IP, UDP, HTTP, FTP, SNMPv1 / v2c / v3 (MIB2), SMTP (Client), DHCP (Client), DNS (Client), mDNS, ARP, ICMP, POP3, NTP, SMTP authentication, RTSP, WV-HTTP (Canon proprietary), ONVIF IPv6: TCP / IP, UDP, HTTP, FTP, SMTP (Client), DHCPv6 (Client), DNS (Client), mDNS, ICMPv6, POP3, NTP, SMTP authentication, RTSP, WV-HTTP (Canon proprietary), ONVIF
<b>AutoIP</b>	Available
<b>Audio Compression Method</b>	G.711 $\mu$ -law (64 kbps)
<b>Audio Communication Method</b>	Full-duplex (two-way) – Echo cancellation function compliant Sound Transfer Protocol by Canon
<b>Audio File Playback</b>	Available (audio files can be played back when an event is triggered by the intelligent function or external device input.) – A third-party amplifier speaker is necessary

<b>Privacy Mask</b>	Number of registration: Max. 8 places, Number of mask colours: 1 (select from 9 colours)
<b>Preset</b>	Max. 20 positions
<b>Intelligent Function</b>	Video: Detection Types: moving object detection, abandoned object detection, removed object detection, camera tampering detection, and passing detection Detection Settings: Max. 15 Volume: Volume Detection
<b>Event Trigger Type</b>	External Device Input, Intelligent Function (Video), Intelligent Function (Volume), Timer
<b>Image Upload</b>	FTP / HTTP/SMTP (e-mail) Temporary storage memory in camera: Max. approx. 5 MB Frame Rate: Max. 10 fps (JPEG) Max. 30 fps (H.264)
<b>Event Notification</b>	HTTP / SMTP (e-mail)
<b>Image Cropping Function</b>	Digital PTZ Cropping sizes: 640 x 360 / 512 x 288 / 384 x 216 / 256 x 144 / 128 x 72 640 x 480 / 512 x 384 / 384 x 288 / 256 x 192 / 128 x 96
<b>On-Screen Display</b>	Available
<b>Daylight Saving Time</b>	Available
<b>Custom Settings</b>	Number of registers: 4 Items to Reg.: Exposure, Smart Shade Control, Haze Compensation, Focus, White Balance, Image Quality Adjustment, Day / Night
<b>APPLICATION</b>	
<b>Viewer</b>	Camera-side: Admin Viewer VB Viewer Client-side: RM-Lite Viewer
<b>Admin Tools</b>	Privacy Mask Setting Tool Preset Setting Tool Intelligent Function Setting Tool Log Viewer Recorded Video Utility
<b>Included Software</b>	Camera Management Tool RM-Lite Proxy Authentication Admin Tools/Admin Viewer Camera Angle Setting Tool
<b>Language</b>	German / English / Spanish / French / Italian / Russian / Turkish / Chinese (Simplified) / Japanese
<b>INTERFACE</b>	
<b>Network Terminal</b>	LAN x1 (RJ45, 100Base-TX (auto / full-duplex / half-duplex))
<b>Audio Input Terminal (common for LINE IN &amp; MIC IN)</b>	$\phi$ 3.5 mm ( $\phi$ 0.14 in.) mini-jack connector (monaural) – Connect via an audio interface cable (included) Switch LINE IN/MIC IN in the setting page. LINE IN x1 (connect to an amplifier microphone) or MIC IN x1 (connect to a microphone w/o amplifier)
<b>Audio Output Terminal (LINE OUT)</b>	$\phi$ 3.5 mm ( $\phi$ 0.14 in.) mini-jack connector (monaural) – Connect via an audio interface cable (included) LINE OUT x1 (connect to an amplifier speaker)
<b>External Device I/O Terminal</b>	Input x 2, Output x 2
<b>Memory Card</b>	SD Memory Card, SDHC Memory Card, SDXC Memory Card Compatible. Frame Rate: Max. 1 fps (JPEG) Max. 30 fps (H.264)
<b>OTHER</b>	
<b>Operating Environment</b>	Temperature: -10°C – +50°C (+14°F – +122°F), Humidity: 5% – 85% (without condensation) Temperature: -30°C – +50°C (-22°F – +122°F), Humidity: 5% – 85% (without condensation) * Equipped with separately sold Heater Unit HU600-VB
<b>Power Supply</b>	PoE: PoE power supply via LAN connector (IEEE802.3af compliant) AC Adapter: PA-V17 or PA-V18 (100 – 240 V AC) (sold separately) External power source: 24 V AC/12 V DC – Heater Unit HU600-VB (sold separately): 24 V AC only
<b>Power Consumption</b>	When using PoE: Max. approx. 8.4 W*1 When using AC Adapter PA-V17: Max. approx. 10.6 W (100 V AC) Max. approx. 10.8 W (240 V AC) When using AC Adapter PA-V18: Max. approx. 9.9 W (100 V AC) Max. approx. 10.3 W (240 V AC) When using DC: Max. approx. 9.0 W When using AC: Max. approx. 8.1 W Max. approx. 18.7 W*2 *1 Class 0 power sourcing equipment (requests 15.4 W) *2 when separately sold Heater Unit HU600-VB installed
<b>Dimensions</b>	( $\phi$ x H) $\phi$ 180 x 147 mm ( $\phi$ 7.09 x 5.79 in.)
<b>Weight</b>	Approx. 1920 g (4.24 lb.)
<b>Impact Resistance</b>	External materials: aluminum alloy, Dome: polycarbonate plastics IK10 compliant – With lens shock absorbing mechanism – Estimated shock resistant: 50 J (based on Canon's test method)
<b>Dust-resistant/Waterproof Specification</b>	IP66 compliant (IEC60529) – Only applies if properly installed and adequately waterproofed
All data is based on Canon standard testing methods except where indicated. Subject to change without notice. ™ and ®: All company and / or product names are trademarks and / or registered trademarks of their respective manufacturers in their markets and / or countries.	

## Dimensions



canon.com

Canon Europe  
canon-europe.com

English edition  
© Canon Europa N.V., 2015

## Connectivity



- 1 Network Interface** RJ45, 100Base-TX (Auto / Full-duplex / Half-duplex)
- 2 Power Connection Terminal** 12V DC / 24V AC
- 3 Audio Input / Output** Individual 3.5mm mono mini-jack (via supplied interface cable)
- 4 External Device I/O** 2 x Inputs / 2 x Outputs
- 5 Memory Card Slot** SD and SDHC Memory Card compatible

Keep every angle covered

# VB-M620VE



The VB-M620VE 1.3 MP fixed dome IP security camera with vandal-resistant and IP66 rated body is ideal for harsh outdoor conditions. Monitor and record activity day and night with an ultra-wide 111° field of view.

Sales Start Date: December 2014

#### Product Details:

Product Name	Mercury Code	EAN Code	Recommended Retail Price
Network Camera VB-M620VE	9907B001AA	4549292025651	<Please fill in RRP>

#### Optional Accessories:

Product Name	Mercury Code	EAN Code	Recommended Retail Price
AC Adapter PA-V18 (E)	8362B002AA	4960999986791	<Please fill in RRP>
AC Adapter PA-V17 (GB)	2245B003AA	8714574559469	<Please fill in RRP>
Recessed Mounting Kit (SR600-VB)	5091B001AA	4960999688671	<Please fill in RRP>
Junction Box Mounting Kit (PS600-VB)	5004B001AA	4960999688688	<Please fill in RRP>
Heater Unit (HU600-VB)	5092B001AA	4960999688695	<Please fill in RRP>
Pendant Mounting Kit (PC600-VB)	9918B001AA	4549292022551	<Please fill in RRP>

#### Measurement / Logistic Information:

Product Name	Mercury code	Pack type	Pack description	Quantity per pack	Length (mm)	Width (mm)	Height (mm)	Net Weight (kg)	Gross Weight (kg)
Network Camera VB-M620VE	9906B002AA	EA	Each	1	236	228	230.5	Approx. 1.92	Approx. 2.25
		CT	Carton	4	483	478	276	Approx. 7.68	Approx. 9.88
		EP	Euro Pallet	—	—	—	—	—	—

#### What's in the box?

- VB-M620VE Main Unit
- Power Connector
- Safety Wire
- Audio Interface Cable
- Template
- Dome case lock screw wrench
- Setup CD-ROM
- Installation Guide
- Warranty Card
- Notice