

ADT-NONH-G3QM33 Adapters (NPT 1.5 to G 3/4, M33 to G 3/4) for Third-party Mounts

www.boschsecurity.com



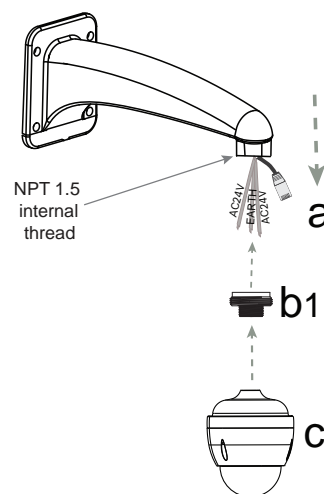
BOSCH
Invented for life



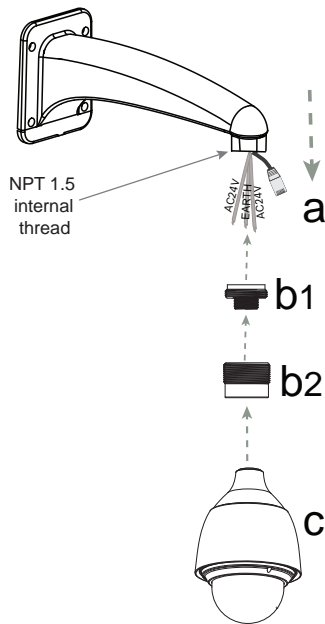
- ▶ NPT to metric thread converters
- ▶ Allow mounting of Bosch dome cameras to third-party mounts with NPT 1.5 internal threads

These adapters allow mounting of Bosch dome cameras to third-party mounts. In the United States especially, third-party mounts have an NPT 1.5 internal thread at the end that connects to the camera; the NPT 1.5 to G 3/4 adapter provides a connection point between Bosch dome cameras and those mounts. AUTODOME IP 4000 HD cameras require this adapter and the M33 to G 3/4 adapter.

Installation/configuration notes



Example installation: AUTODOME IP 4000 HD camera + NPT 1.5 to G 3/4 adapter + third-party wall mount



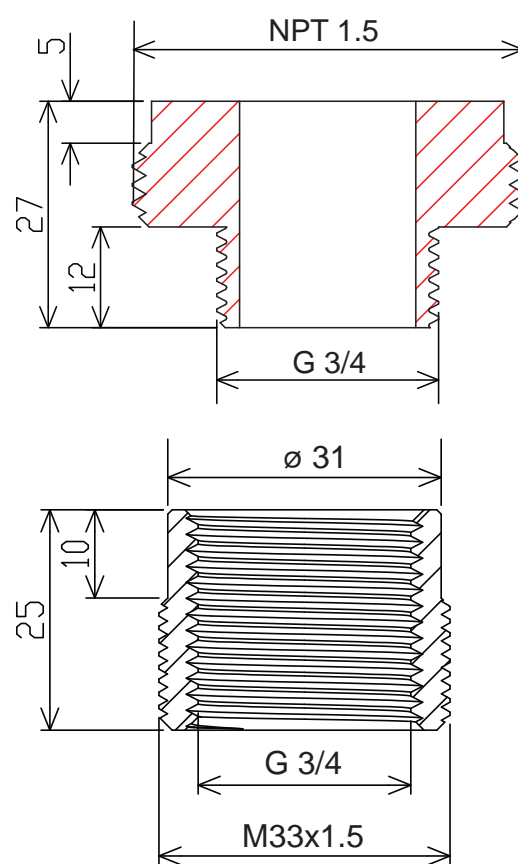
Example installation: AUTODOME IP 5000 HD camera + G 3/4 to M33 adapter + NPT 1.5 to G 3/4 adapter + third-party wall mount

Parts included

1	Adapter, NPT 1.5 to G 3/4
1	Adapter, M33 to G 3/4
1	Quick Installation Guide

Technical specifications

Dimensions	NPT 1.5 to G 3/4: 38 mm x 27 mm (1.5 in. x 1 in.) M33 to G 3/4: 38 mm x 25 mm (1.5 x 1 in.)
Weight	0.058 kg (0.13 lb) (for both pieces)
Construction Material	Aluminum
Standard Color / Finish	Aluminum



Ordering information

ADT-NONH-G3QM33 Adapters (NPT 1.5 to G 3/4, M33 to G 3/4) for Third-party Mounts

1.5-inch NPT male to G3/4-inch and M33 male thread adapter; allows AUTODOME IP 4000 HD and 5000 HD mounting to third-party mounts with 1.5-inch NPT internal (female) threads.

Order number **ADT-NONH-G3QM33**

Represented by:

North America:
Bosch Security Systems, Inc.
130 Perinton Parkway
Fairport, New York, 14450, USA
Phone: +1 800 289 0096
Fax: +1 585 223 9180
security.sales@us.bosch.com
www.boschsecurity.us

Europe, Middle East, Africa:
Bosch Security Systems B.V.
P.O. Box 80002
5617 BA Eindhoven, The Netherlands
Phone: + 31 40 2577 284
Fax: +31 40 2577 330
emea.securitysystems@bosch.com
www.boschsecurity.com

Asia-Pacific:
Robert Bosch (SEA) Pte Ltd, Security Systems
11 Bishan Street 21
Singapore 573943
Phone: +65 6571 2808
Fax: +65 6571 2699
apr.securitysystems@bosch.com
www.boschsecurity.asia

China:
Bosch (Shanghai) Security Systems Ltd.
203 Building, No. 333 Fuquan Road
North IBP
Changning District, Shanghai
200335 China
Phone +86 21 22181111
Fax: +86 21 22182398
www.boschsecurity.com.cn

Latin America and Caribbean:
Robert Bosch Ltda Security Systems Division
Via Anhanguera, Km 98
CEP 13065-900
Campinas, Sao Paulo, Brazil
Phone: +55 19 2103 2860
Fax: +55 19 2103 2862
latam.boschsecurity@bosch.com
www.boschsecurity.com