

KBD-Universal XF

www.boschsecurity.com



BOSCH
Invented for life



With the new KBD-Universal XF keyboard Bosch introduces an additional way to control Bosch Video Management System (Bosch VMS), Building Integration System (BIS) with Video Engine, DIVAR IP 3000, and DIVAR IP 7000. User that already have experience with the typical DVR control can now use this keyboard to execute the typical DVR functions on a modern “Video-over-IP” management system.

The keyboard comes with jog shuttle, joystick 38 backlit keys, alarm buzzer, and allows the management of your video-over-IP devices which are used in a Bosch VMS or DIVAR IP system.

Emulating a 4-axis HID joystick it allows smooth PTZ operation. The device can also be used together with ordinary PC peripheral devices such as keyboards, mouse, joysticks or other accessories.

KBD-Universal XF is USB powered and so requires only one cable.

It can be turned round so that both right- and left-handed users can use all the functions with ease.

This simple, user-friendly and fully implementable keyboard allows a comfortable and intuitive management of CCTV applications from PC.



- ▶ USB keyboard for managing Bosch Video Management System, Building Integration System (BIS) with Video Engine, or DIVAR IP systems
- ▶ With joystick and jog shuttle
- ▶ USB powered
- ▶ All important functions of the Bosch Video Management System GUI can be controlled
- ▶ Easy to install and use, for right- and left-handed operators

It is optimized for Bosch Video Management System use cases.

For use cases with BIS - Video Engine a special printable keyboard layout is included in the BIS delivery.

Certifications and approvals

Certifications

Number

EN55022 Class B

EN50130-4

EN61000-6-3

EN60950-1

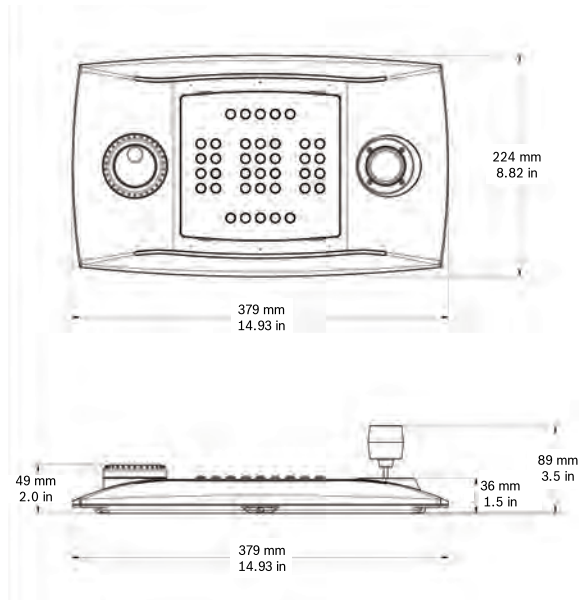
FCC part 15 Class B

Approvals

| Region | Certification | |
|--------|---------------|--|
| Europe | CE | KBD-Universal XF |
| USA | UL | Bosch UL online certifications directory 2(link) |

Installation/configuration notes

Dimensions



Parts included

| Quantity | Component |
|----------|--------------------------|
| 1 | KBD-Universal XF |
| 1 | Installation driver |
| 1 | Quick Installation Guide |
| 1 | Installation Manual |

Technical specifications

| General | |
|---|---------------------------------------|
| 38 backlit rubber keys | |
| Alarm buzzer | |
| Mechanical | |
| Dimensions (H x W x D) | 89 x 379 x 224 mm (3.5 x 15 x 8.8 in) |
| Weight | 1.4 kg (3 lb) |
| Length of cable supplied | Approx. 1 m (39 in)* |
| * An internal connector allows the customer to replace the cable with a longer or shorter standard USB A-B cable. | |
| Electrical | |
| Power | Via USB port |
| Consumption | 350 mA max |

Communications

USB 2.0

Protocols

Dedicated Virtual Com Port protocol

Joystick HID 4-axis emulation

Operating system

Windows 2000, Windows XP, Windows Server, Windows Vista, Windows 7, Windows 8

Drivers available on www.boschsecurity.com. Select your region and country. Select the product catalog. Start a search for your product. Select the product in the search results to show the existing product. Click the Downloads tab.

Environmental

Indoor

Operating temperature 0 °C to +45 °C (+32 °F to +113 °F)

Ordering information

KBD-Universal XF Keyboard

USB CCTV-oriented keyboard for use with Bosch Video Management System, BIS - Video Engine, or DIVAR IP systems

Order number **KBD-UXF**

Represented by:

Americas:

Bosch Security Systems, Inc.
130 Perinton Parkway
Fairport, New York, 14450, USA
Phone: +1 800 289 0096
Fax: +1 585 223 9180
security.sales@us.bosch.com
www.boschsecurity.us

Europe, Middle East, Africa:

Bosch Security Systems B.V.
P.O. Box 80002
5617 BA Eindhoven, The Netherlands
Phone: + 31 40 2577 284
Fax: +31 40 2577 330
emea.securitysystems@bosch.com
www.boschsecurity.com

Asia-Pacific:

Robert Bosch (SEA) Pte Ltd, Security
Systems
11 Bishan Street 21
Singapore 573943
Phone: +65 6571 2808
Fax: +65 6571 2699
apr.securitysystems@bosch.com
www.boschsecurity.asia

China:

Bosch (Shanghai) Security Systems Ltd.
201 Building, No. 333 Fuquan Road
North IBP
Changning District, Shanghai
200335 China
Phone +86 21 22181111
Fax: +86 21 22182398
www.boschsecurity.com.cn

America Latina:

Robert Bosch Ltda Security Systems Division
Via Anhanguera, Km 98
CEP 13065-900
Campinas, Sao Paulo, Brazil
Phone: +55 19 2103 2860
Fax: +55 19 2103 2862
latam.boschsecurity@bosch.com
www.boschsecurity.com