

MIC Series 400 Infrared Camera

www.boschsecurity.com



BOSCH

Invented for life



- ▶ Twin integrated IR illuminators
- ▶ Brushless motor technology
- ▶ Host of mounting and viewing options
- ▶ Integrated wiper
- ▶ Multi-protocol operation

The MIC Series 400 Infrared camera has been designed to offer an extremely reliable, robust, and high quality surveillance solution for security applications that demand the very best performance – both during the day and at night. Precision engineered to exacting standards, the range offers numerous benefits over the use of traditional dome and PTZ cameras, and comes with a variety of options in order to offer a best-fit solution for virtually any application. Rated to an industry leading IP68, the vandal-resistant machined camera housing is suitable for installation in the harshest of environments. Machined from solid aluminum, the MIC Series 400 infra-red cameras ensure corrosion protection by using two different processes; first an Alodine® 5200™ coating, then a robust powder paint coating. Alodine 5200 is a chromium free product and specifically formulated for treating non-ferrous alloys. Sealed with 'O'-rings, the MIC Series infra-red camera can operate submerged up to 1 meter (3.3 feet) underwater by virtue of its design and construction. The optically-perfect flat viewing window and integrated long-life silicone wiper ensure razor sharp images are captured in even the most demanding conditions.

The twin integrated, long-life, LED Infrared lamps ensure clear illumination of the camera view to 55 m (180 ft) in total darkness, ensuring high quality images regardless of the lighting conditions. Brushless motor technology ensures ultra-reliable, whisper-quiet operation. Groundbreaking resolver technology provides pinpoint accuracy and affords the user full 360° continuous rotation pan and 186.6° tilt control.

A choice of true day/night camera modules offering up to 36x optical zoom (12x digital) are available, providing 470 TVL NTSC/PAL typical (18x module) or 530 TVL NTSC/PAL typical (36x module). Preset positions, preset tours, and random tours ensure flexible surveillance options.

The unique camera module preset function allows the module itself to be mapped to a preset button on the remote keyboard. This, for example, allows the camera to be set up for overview purposes and then, at the press of a button, to be used for Automatic Number Plate Recognition (ANPR). The flexible mounting options allow the camera to be installed upright, inverted, or canted to achieve the perfect field of view.

Functions

Twin integrated IR illuminators

Two 850 nm IR illuminators are attached directly to the camera head to provide IR light exactly where it is needed.

Brushless motor technology

Ultra-reliable brushless motors provide whisper-quiet operation and smooth control.

Host of mounting and viewing options

Faultless operation, either upright or inverted, gives the user a host of mounting and viewing possibilities. A canted option is provided for upright pole-mounted applications, allowing the base of the pole to be viewed.

Integrated wiper

Rain or shine, regardless of the weather the MIC Series 400 Infra-red camera is able to capture the highest possible quality image all year round thanks to its integrated long-life silicone wiper.

Multi-protocol operation

Compatible with virtually any control equipment available today, the MIC Series 400 Infra-red camera will seamlessly integrate with the vast majority of security systems.

Suitable for virtually any application

The versatility of the MIC Series 400 Infra-red camera makes it suitable for numerous applications, such as:

- General CCTV
- Town centers
- Railway and bus stations
- Rapid deployment
- High security
- Prestigious developments
- Architectural

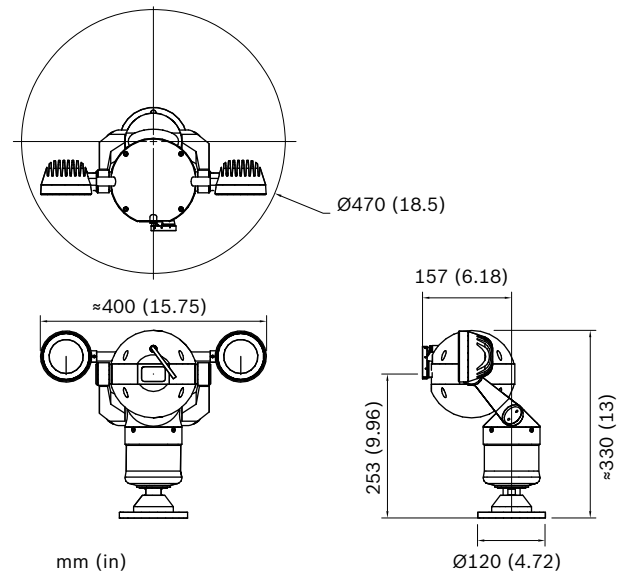
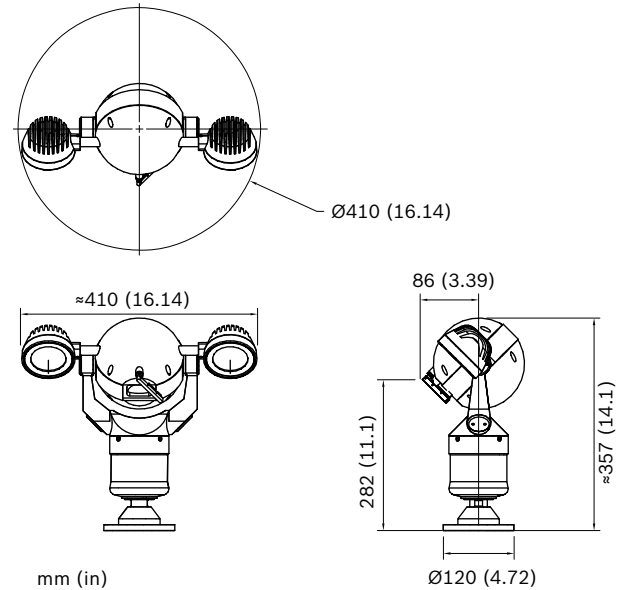
Certifications and approvals

Electromagnetic Compatibility (EMC)	Complies with FCC Part 15, ICES-003, and CE regulations including EN50130-4, EN61000-3-2:2006, EN61000-3-3:1995, and EN55022:2006 inc AL:2007
Safety	Complies with CE regulations, UL, EN, and IEC Standards 60950-1 & 22
Weatherproofing	IP68 (1m submersion for 24 hrs)

Region	Certification	
Europe	CE	AC08-10-Q012 EMC Directive, Low Voltage Directive
USA	UL	AC08-10-Q013 UL 60950-1 2nd Edition: 2007
	FCC	AC08-10-Q013 CFR 47 FCC part 15:2009, Class B
Canada	CSA	AC08-10-Q012 CAN/CSA-C22.2 No. 60950-1-07

Installation/configuration notes

Dimensions



Technical specifications

Camera Module

Image sensor	1/4 in EXview CCD (WDR, 36x only)
Horizontal resolution	18x module, 470 TVL PAL/NTSC typical; 36x module, 530 TVL PAL/NTSC typical
Filter	Automatic mechanical IR cut filter
Focus system	Auto or manual

Iris	Auto or manual with slow shutter integration modes
Synchronization	Internal / External (V-Lock)
Signal/Noise ratio	50 dB or more
Back Light Compensation (BLC)	On/Off
White balance	Automatic
Automatic Gain Control (AGC)	-3 to 28 dB, 2 dB steps
Aperture control	16 Steps

18x Optical Zoom Module

Lens	F=4.1 mm (wide) to 73.8 mm (tele), F1.4 to F3.0
Zoom	18x optical (12x digital)
Angle of view	48° (wide) to 2.8° (tele)
Minimum illumination	0.7 lux (F1.4, 1/60s NTSC, 1/50s PAL) 0.11 lux (F1.4, 1/4s NTSC, 1/3s PAL) 0.01 lux (F1.4, 1/4s NTSC, 1/3s PAL ICR on)
Shutter speed	1 to 1/10,000 s (22 steps) NTSC, PAL

36x Optical Zoom Module

Lens	F=3.4 mm (wide) to 122.4 mm (tele), F1.6 to F4.5
Zoom	36x optical (12x digital)
Angle of view	57.8° (wide) to 1.7° (tele)
Minimum illumination	1.4 lux (1/60 s NTSC, 1/50 s PAL, typical, F1.6, 50IRE) 0.1 lux (1/4 s NTSC, 1/3 s PAL, typical, F1.6, 50IRE) ICR-ON mode: 0.01 lux (1/4 s NTSC, 1/3 s PAL)
Shutter speed	1/4 to 1/10,000 s (20 steps) NTSC, 1/3 to 1/10,000 s (20 steps) PAL

IR Illuminators

LED array	High efficiency Surface Mount (SMT) LEDs
No. of LEDs	7 per lamp
Wavelength	850 nm (semi-covert)
Beam angle	30°
IR distance	55 m (180 ft)
Weather proofing	IP68
Construction material	Aluminum with acrylic front window
Power consumption	9 W nominal per lamp on full power, 18 W total for twin IR
Current	700 mA per lamp

Operational

Auto flip	Yes
Manual flip	Yes
Dynamic privacy zones	3D privacy masking with infinite zones (some models, see ordering guide).
Presets	64 telemetry presets utilizing resolver technology (using FV protocol, 10 camera set-up presets to allow ANPR, color correction etc.)
Preset tours	6 tours each with up to 32 presets
Sector titles	Yes (64 sectors) 20 characters per title
Preset titles	20 character caption for each of the 64 presets
Home position	Preset 1 or tour

Communication and Protocols

Communication	RS485 / RS422
Control protocol	Bosch or FV protocol cameras available; additional protocols supported are Pelco D, Kalatel, 360 Vision, American Dynamics, Panasonic, Molyx, VCL, and Vicon. These can be loaded using the MIC-USB485CVTR signal converter and Cam-set via a PC. Biphase control requires a Biphase to RS485 converter (MIC-BP3, available separately) to connect to Biphase equipment.

Connectivity

Video	Co-axial via composite cable
Telemetry	Twisted pair. Simplex, half and full duplex operation via composite cable
MIC Universal Camera Setup Software Utility (Cam-set)	Supplied with each camera, Cam-set allows direct connection to a USB equipped PC via the MIC Series PSU or over a full duplex or IP network to provide access to all camera functions and useful diagnostic tools
USB to RS485 signal converter	Allows MIC Series cameras to connect to a PC (supplied free with MIC Series 400 Infrared camera, or available separately)
Power	Via composite cable

Alarms

Alarm inputs	1 tamper input (4 alarm inputs available via the IR power supply unit)
Alarm communication	Tamper switch (ground connection)

Mechanical

Drive unit	Brushless, integral pan/tilt motor drive
Pan angle	360° continuous rotation

Pan speed	6° to 90° per second (variable)
Tilt angle	186.6°
Tilt speed	0.2° to 90° per second (variable)
Speed control	Closed loop electronics
Preset accuracy	±0.56° (typical)
Proportional Pan/Tilt to Zoom	Yes

Electrical

Input voltage	18 VAC nominal
Power consumption	Max 50 W

Environmental

Operational temperature	-40°C to +50°C (-40°F to +122°F)
Weatherproofing	IP68 (1m submersion for 24 hrs)

Construction

Dimensions (WxHxD)	
Upright and Inverted	403 x 360 x 165 mm (15.2 x 14.2 x 6.5 in.)
Canted	403 x 330 x 217 mm (15.2 x 13 x 8.5 in.)
Weight	6.5 kg (14.3 lb) including 4-in. pitch circle diameter (PCD) base
Viewing window	Tempered flat glass
Construction material	Machined aluminum
Standard colors	Black(RAL9005), Gray (RAL7001) or White (RAL9003)
Standard finish	Alodine 5200 surface treatment with powder coat paint.
Window wiper	Standard, long-life silicone wiper
Configurations available	Upright mount or upright canted at 45° mount. (Inverted mount is possible using software setting and upright camera.)

Ordering information

MIC400IRBCW14518P 18X PAL Infrared Camera, Canted, with Privacy & FV Protocol, Black

Infra-Red, 18X, PAL, PTZ camera, Black, Canted, FV Protocol, with integrated wiper and privacy function
Order number **MIC400IRBCW14518P**

MIC400IRBCW14536P 36X PAL Infrared Camera, Canted, with Privacy & FV Protocol, Black

Infra-Red, 36X, PAL, PTZ camera, Black, Canted, FV Protocol, with integrated wiper and privacy function
Order number **MIC400IRBCW14536P**

MIC400IRBCW14618P 18X PAL Infrared Camera, Canted, FV Protocol, Black

Infra-Red, 18X, PAL, PTZ camera, Black, Canted, FV Protocol, with integrated wiper
Order number **MIC400IRBCW14618P**

MIC400IRBCW14636P 36X PAL Infrared Camera, Canted, FV Protocol, Black

Infra-Red, 36X, PAL, PTZ camera, Black, Canted, FV Protocol, with integrated wiper
Order number **MIC400IRBCW14636P**

MIC400IRBUW14518P 18X PAL Infrared Camera, Upright, with Privacy & FV Protocol, Black

Infra-Red, 18X, PAL, PTZ camera, Black, Upright, FV Protocol, with integrated wiper and privacy function
Order number **MIC400IRBUW14518P**

MIC400IRBUW14536P 36X PAL Infrared Camera, Upright, with Privacy & FV Protocol, Black

Infra-Red, 36X, PAL, PTZ camera, Black, Upright, FV Protocol, with integrated wiper and privacy function
Order number **MIC400IRBUW14536P**

MIC400IRBUW14618P 18X PAL Infrared Camera, Upright, FV Protocol, Black

Infra-Red, 18X, PAL, PTZ camera, Black, Upright, FV Protocol, with integrated wiper
Order number **MIC400IRBUW14618P**

MIC400IRBUW14636P 36X PAL Infrared Camera, Upright, FV Protocol, Black

Infra-Red, 36X, PAL, PTZ camera, Black, Upright, FV Protocol, with integrated wiper
Order number **MIC400IRBUW14636P**

MIC400IRGCW14518P 18X PAL Infrared Camera, Canted, with Privacy & FV Protocol, Grey

Infra-Red, 18X, PAL, PTZ camera, Grey, Canted, FV Protocol, with integrated wiper and privacy function
Order number **MIC400IRGCW14518P**

MIC400IRGCW14536P 36X PAL Infrared Camera, Canted, with Privacy & FV Protocol, Grey

Infra-Red, 36X, PAL, PTZ camera, Grey, Canted, FV Protocol, with integrated wiper and privacy function
Order number **MIC400IRGCW14536P**

MIC400IRGCW14618P 18X PAL Infrared Camera, Canted, FV Protocol, Grey

Infra-Red, 18X, PAL, PTZ camera, Grey, Canted, FV Protocol, with integrated wiper
Order number **MIC400IRGCW14618P**

MIC400IRGCW14636P 36X PAL Infrared Camera, Canted, FV Protocol, Grey

Infra-Red, 36X, PAL, PTZ camera, Grey, Canted, FV Protocol, with integrated wiper
Order number **MIC400IRGCW14636P**

MIC400IRGUW14518P 18X PAL Infrared Camera, Upright, with Privacy & FV Protocol, Grey

Infra-Red, 18X, PAL, PTZ camera, Grey, Upright, FV Protocol, with integrated wiper and privacy function
Order number **MIC400IRGUW14518P**

MIC400IRGUW14536P 36X PAL Infrared Camera, Upright, with Privacy & FV Protocol, Grey

Infra-Red, 36X, PAL, PTZ camera, Grey, Upright, FV Protocol, with integrated wiper and privacy function
Order number **MIC400IRGUW14536P**

MIC400IRGUW14618P 18X PAL Infrared Camera, Upright, FV Protocol, Grey

Infra-Red, 18X, PAL, PTZ camera, Grey, Upright, FV Protocol, with integrated wiper
Order number **MIC400IRGUW14618P**

MIC400IRGUW14636P 36X PAL Infrared Camera, Upright, FV Protocol, Grey

Infra-Red, 36X, PAL, PTZ camera, Grey, Upright, FV Protocol, with integrated wiper
Order number **MIC400IRGUW14636P**

MIC400IRWCW14518P 18X PAL Infrared Camera, Canted, with Privacy & FV Protocol, White

Infra-Red, 18X, PAL, PTZ camera, White, Canted, FV Protocol, with integrated wiper and privacy function
Order number **MIC400IRWCW14518P**

MIC400IRWCW14536P 36X PAL Infrared Camera, Canted, with Privacy & FV Protocol, White

Infra-Red, 36X, PAL, PTZ camera, White, Canted, FV Protocol, with integrated wiper and privacy function
Order number **MIC400IRWCW14536P**

MIC400IRWCW14618P 18X PAL Infrared Camera, Canted, FV Protocol, White

Infra-Red, 18X, PAL, PTZ camera, White, Canted, FV Protocol, with integrated wiper
Order number **MIC400IRWCW14618P**

MIC400IRWCW14636P 36X PAL Infrared Camera, Canted, FV Protocol, White

Infra-Red, 36X, PAL, PTZ camera, White, Canted, FV Protocol, with integrated wiper
Order number **MIC400IRWCW14636P**

MIC400IRWUW14518P 18X PAL Infrared Camera, Upright, with Privacy & FV Protocol, White

Infra-Red, 18X, PAL, PTZ camera, White, Upright, FV Protocol, with integrated wiper and privacy function
Order number **MIC400IRWUW14518P**

MIC400IRWUW14536P 36X PAL Infrared Camera, Upright, with Privacy & FV Protocol, White

Infra-Red, 36X, PAL, PTZ camera, White, Upright, FV Protocol, with integrated wiper and privacy function
Order number **MIC400IRWUW14536P**

MIC400IRWUW14618P 18X PAL Infrared Camera, Upright, FV Protocol, White

Infra-Red, 18X, PAL, PTZ camera, White, Upright, FV Protocol, with integrated wiper
Order number **MIC400IRWUW14618P**

MIC400IRWUW14636P 36X PAL Infrared Camera, Upright, FV Protocol, White

Infra-Red, 36X, PAL, PTZ camera, White, Upright, FV Protocol, with integrated wiper
Order number **MIC400IRWUW14636P**

MIC400IRBCP14518N 18X NTSC Infrared Camera, Canted, with Privacy & Bosch Protocol, Black

Infra-Red, 18X, NTSC, PTZ camera, Black, Canted, Bosch Protocol, with integrated wiper and privacy function
Order number **MIC400IRBCP14518N**

MIC400IRBCP14536N 36X NTSC Infrared Camera, Canted, with Privacy & Bosch Protocol, Black

Infra-Red, 36X, NTSC, PTZ camera, Black, Canted, Bosch Protocol, with integrated wiper and privacy function
Order number **MIC400IRBCP14536N**

MIC400IRBCP14618N 18X NTSC Infrared Camera, Canted, Bosch Protocol, Black

Infra-Red, 18X, NTSC, PTZ camera, Black, Canted, Bosch Protocol, with integrated wiper
Order number **MIC400IRBCP14618N**

MIC400IRBCP14636N 36X NTSC Infrared Camera, Canted, Bosch Protocol, Black

Infra-Red, 36X, NTSC, PTZ camera, Black, Canted, Bosch Protocol, with integrated wiper
Order number **MIC400IRBCP14636N**

MIC400IRBUP14518N 18X NTSC Infrared Camera, Upright, with Privacy & Bosch Protocol, Black

Infra-Red, 18X, NTSC, PTZ camera, Black, Upright, Bosch Protocol, with integrated wiper and privacy function
Order number **MIC400IRBUP14518N**

MIC400IRBUP14536N 36X NTSC Infrared Camera, Upright, with Privacy & Bosch Protocol, Black

Infra-Red, 36X, NTSC, PTZ camera, Black, Upright, Bosch Protocol, with integrated wiper and privacy function
Order number **MIC400IRBUP14536N**

MIC400IRBUP14618N 18X NTSC Infrared Camera, Upright, Bosch Protocol, Black

Infra-Red, 18X, NTSC, PTZ camera, Black, Upright, Bosch Protocol, with integrated wiper
Order number **MIC400IRBUP14618N**

MIC400IRBUP14636N 36X NTSC Infrared Camera, Upright, Bosch Protocol, Black

Infra-Red, 36X, NTSC, PTZ camera, Black, Upright, Bosch Protocol, with integrated wiper

Order number **MIC400IRBUP14636N**

MIC400IRGCP14518N 18X NTSC Infrared Camera, Canted, with Privacy & Bosch Protocol, Grey

Infra-Red, 18X, NTSC, PTZ camera, Grey, Canted, Bosch Protocol, with integrated wiper and privacy function

Order number **MIC400IRGCP14518N**

MIC400IRGCP14536N 36X NTSC Infrared Camera, Canted, with Privacy & Bosch Protocol, Grey

Infra-Red, 36X, NTSC, PTZ camera, Grey, Canted, Bosch Protocol, with integrated wiper and privacy function

Order number **MIC400IRGCP14536N**

MIC400IRGCP14618N 18X NTSC Infrared Camera, Canted, Bosch Protocol, Grey

Infra-Red, 18X, NTSC, PTZ camera, Grey, Canted, Bosch Protocol, with integrated wiper

Order number **MIC400IRGCP14618N**

MIC400IRGCP14636N 36X NTSC Infrared Camera, Canted, Bosch Protocol, Grey

Infra-Red, 36X, NTSC, PTZ camera, Grey, Canted, Bosch Protocol, with integrated wiper

Order number **MIC400IRGCP14636N**

MIC400IRGUP14518N 18X NTSC Infrared Camera, Upright, with Privacy & Bosch Protocol, Grey

Infra-Red, 18X, NTSC, PTZ camera, Grey, Upright, Bosch Protocol, with integrated wiper and privacy function

Order number **MIC400IRGUP14518N**

MIC400IRGUP14536N 36X NTSC Infrared Camera, Upright, with Privacy & Bosch Protocol, Grey

Infra-Red, 36X, NTSC, PTZ camera, Grey, Upright, Bosch Protocol, with integrated wiper and privacy function

Order number **MIC400IRGUP14536N**

MIC400IRGUP14618N 18X NTSC Infrared Camera, Upright, Bosch Protocol, Grey

Infra-Red, 18X, NTSC, PTZ camera, Grey, Upright, Bosch Protocol, with integrated wiper

Order number **MIC400IRGUP14618N**

MIC400IRGUP14636N 36X NTSC Infrared Camera, Upright, Bosch Protocol, Grey

Infra-Red, 36X, NTSC, PTZ camera, Grey, Upright, Bosch Protocol, with integrated wiper

Order number **MIC400IRGUP14636N**

MIC400IRWCP14518N 18X NTSC Infrared Camera, Canted, with Privacy & Bosch Protocol, White

Infra-Red, 18X, NTSC, PTZ camera, White, Canted, Bosch Protocol, with integrated wiper and privacy function

Order number **MIC400IRWCP14518N**

MIC400IRWCP14536N 36X NTSC Infrared Camera, Canted, with Privacy & Bosch Protocol, White

Infra-Red, 36X, NTSC, PTZ camera, White, Canted, Bosch Protocol, with integrated wiper and privacy function

Order number **MIC400IRWCP14536N**

MIC400IRWCP14618N 18X NTSC Infrared Camera, Canted, Bosch Protocol, White

Infra-Red, 18X, NTSC, PTZ camera, White, Canted, Bosch Protocol, with integrated wiper

Order number **MIC400IRWCP14618N**

MIC400IRWCP14636N 36X NTSC Infrared Camera, Canted, Bosch Protocol, White

Infra-Red, 36X, NTSC, PTZ camera, White, Canted, Bosch Protocol, with integrated wiper

Order number **MIC400IRWCP14636N**

MIC400IRWUP14518N 18X NTSC Infrared Camera, Upright, with Privacy & Bosch Protocol, White

Infra-Red, 18X, NTSC, PTZ camera, White, Upright, Bosch Protocol, with integrated wiper and privacy function

Order number **MIC400IRWUP14518N**

MIC400IRWUP14536N 36X NTSC Infrared Camera, Upright, with Privacy & Bosch Protocol, White

Infra-Red, 36X, NTSC, PTZ camera, White, Upright, Bosch Protocol, with integrated wiper and privacy function

Order number **MIC400IRWUP14536N**

MIC400IRWUP14618N 18X NTSC Infrared Camera, Upright, Bosch Protocol, White

Infra-Red, 18X, NTSC, PTZ camera, White, Upright, Bosch Protocol, with integrated wiper

Order number **MIC400IRWUP14618N**

MIC400IRWUP14636N 36X NTSC Infrared Camera, Upright, Bosch Protocol, White

Infra-Red, 36X, NTSC, PTZ camera, White, Upright, Bosch Protocol, with integrated wiper

Order number **MIC400IRWUP14636N**

Accessories**MIC-BP3 Biphase Converter**

Biphase converter for IR power supplies or non-IR power supplies without a free expansion slot available

Order number **MIC-BP3**

MIC-IR-24PSU-UL 24 VAC Camera/IR Power Supply

24 VAC, 50/60 Hz power supply for MIC Series cameras with Infrared Illuminators
Order number **MIC-IR-24PSU-UL**

MIC-IR-115PSU-UL 115 VAC Camera/IR Power Supply

115 VAC, 50/60 Hz power supply for MIC Series cameras with Infrared Illuminators
Order number **MIC-IR-115PSU-UL**

MIC-IR-240PSU-UL 240 VAC Camera/IR Power Supply

230 VAC, 50/60 Hz power supply for MIC Series cameras Infrared Illuminators
Order number **MIC-IR-240PSU-UL**

MIC-DCA-B Deep Conduit Adapter, Black

Deep conduit adapter for 4 in. PCD base - black leatherette finish, RAL9005
Order number **MIC-DCA**

MIC-DCA-G Deep Conduit Adapter, Grey

Deep conduit adapter for 4 in. PCD base - grey leatherette finish, RAL9010
Order number **MIC-DCA-G**

MIC-DCA-W Deep Conduit Adapter, White

Deep conduit adapter for 4 in. PCD base - white leatherette finish RAL9003
Order number **MIC-DCA-W**

MIC-SCA-B Shallow Conduit Adapter, Black

Shallow conduit adapter for 4 in. PCD base - black, leatherette finish, RAL9005
Order number **MIC-SCA**

MIC-SCA-G Shallow Conduit Adapter, Grey

Shallow conduit adapter for 4 in. PCD base - grey, leatherette finish, RAL7001
Order number **MIC-SCA-G**

MIC-SCA-W Shallow Conduit Adapter, White

Shallow conduit adapter for 4 in. PCD base - white, leatherette finish, RAL9003
Order number **MIC-SCA-W**

MIC-SPR Spreader Plate

Aluminum spreader plate suitable for brickwork surface mounting – black leatherette finish RAL9005
Order number **MIC-SPR**

MIC-SPR-G Spreader Plate, Grey

Aluminum spreader plate suitable for brickwork surface mounting, grey leatherette finish (RAL7001)
Order number **MIC-SPR-G**

MIC-SPR-W Spreader Plate, White

Aluminum spreader plate suitable for brickwork surface mounting, white leatherette finish (RAL9003)
Order number **MIC-SPR-W**

MIC-CMB-B Corner Mount Bracket, Black

Corner mount bracket, black leatherette finish (RAL9005)
Order number **MIC-CMB-B**

MIC-CMB-G Corner Mount Bracket, Grey

Corner mount bracket, grey leatherette finish (RAL7001)
Order number **MIC-CMB-G**

MIC-CMB-W Corner Mount Bracket, White

Corner mount bracket, white leatherette finish (RAL9003)
Order number **MIC-CMB-W**

MIC-PMB Pole Mount Bracket

Pole mount bracket (includes 2 x 455 mm stainless steel banding straps for pole diameters 75 to 145 mm)
Order number **MIC-PMB**

MICUSB485CVTR2 USB to RS485 Signal Converter

USB to RS485 signal converter to allow MIC Series cameras to connect to a PC, supplied with each camera
Order number **MICUSB485CVTR2**

MIC-WKT-IR Washer Kit

Washer kit for infrared power supplies only (includes washer nozzle and mounting brackets for wall or 4 in. PCD base)
Order number **MIC-WKT-IR**

HAC-WAS05-20 24 VAC Washer

24 VAC washer inst. 4M 25L
Order number **HAC-WAS05-20**

UPA-2450-50 Power Supply, 220 V, 50 Hz

Indoor, 220 VAC, 50 Hz In; 24 VAC, 50 VA Out
Order number **UPA-2450-50**

UPA-2450-60 Power Supply, 120 V, 60 Hz

Indoor, 120 VAC, 60 Hz In; 24 VAC, 50 VA Out
Order number **UPA-2450-60**

MIC-2M-S 2 m Shielded Composite Cable

Shielded Composite 2 m cable that provides power, telemetry and video connection from a MIC Series camera to a MIC Series power supply
Order number **MIC-2M-S**

MIC-10M-S 10 m Shielded Composite Cable

Shielded Composite 10 m cable that provides power, telemetry and video connection from a MIC Series camera to a MIC Series power supply
Order number **MIC-10M-S**

MIC-20M-S 20 m Shielded Composite Cable

Shielded Composite 20 m cable that provides power, telemetry and video connection from a MIC Series camera to a MIC Series power supply
Order number **MIC-20M-S**

MIC-25M-S 25 m Shielded Composite Cable

Shielded Composite 25 m cable that provides power, telemetry and video connection from a MIC Series camera to a MIC Series power supply

Order number **MIC-25M-S**

HAC-WAS05-50 230 VAC Washer

230 VAC washer inst. 4M 25L

Order number **HAC-WAS05-50**

HAC-WAS30-50 230 VAC Washer

230 VAC washer inst. 30M 25L

Order number **HAC-WAS30-50**

Represented by:

Americas:

Bosch Security Systems, Inc.
130 Perinton Parkway
Fairport, New York, 14450, USA
Phone: +1 800 289 0096
Fax: +1 585 223 9180
security.sales@us.bosch.com
www.boschsecurity.us

Europe, Middle East, Africa:

Bosch Security Systems B.V.
P.O. Box 80002
5617 BA Eindhoven, The Netherlands
Phone: + 31 40 2577 284
Fax: +31 40 2577 330
emea.securitysystems@bosch.com
www.boschsecurity.com

Asia-Pacific:

Robert Bosch (SEA) Pte Ltd, Security Systems
11 Bishan Street 21
Singapore 573943
Phone: +65 6571 2808
Fax: +65 6571 2699
apr.securitysystems@bosch.com
www.boschsecurity.asia

China:

Bosch (Shanghai) Security Systems Ltd.
201 Building, No. 333 Fuquan Road
North IBP
Changning District, Shanghai
200335 China
Phone +86 21 22181111
Fax: +86 21 22182398
www.boschsecurity.com.cn

America Latina:

Robert Bosch Ltda Security Systems Division
Via Anhanguera, Km 98
CEP 13065-900
Campinas, Sao Paulo, Brazil
Phone: +55 19 2103 2860
Fax: +55 19 2103 2862
latam.boschsecurity@bosch.com
www.boschsecurity.com