

NDA-U-WMTG Pendant wall mount, gang box

www.boschsecurity.com



BOSCH
Invented for life



- ▶ Compatible with double gang box
- ▶ Modular design for fast and easy installation
- ▶ Perfectly matched parts for easy selection and in-field installation
- ▶ Weather resistant finish to maintain cosmetic appearance

The modular camera mounts & accessories are a family of mounts, mounting adapters, pendant interface plates and surveillance cabinets which can be used with a wide range of Bosch cameras. The accessories are easy to install and can be combined to simplify installation in multiple locations while retaining the same look and feel.

Functions

Pendant wall mount

The pendant wall mount allows multiple installation scenarios of dome cameras, including installation onto a wall, pole or electrical box, buried in the wall or ceiling, used as a junction box. With the replacement of the original back plate with a double gang box adapter plate, the mount allows the installation onto double gang box as an option (compatible with fixed dome cameras only). The integrated swivel function ensures the installed camera is always level. The mount allows easy cable management or it can be combined with additional surface mount boxes to cater for conduit connections.

It provides a safe and robust solution to mount dome cameras directly to a wall or ceiling in combination with the following accessories:

- NDA-U-PSMB Pendant wall/ceiling mount SMB
- NDA-U-PA0/1/2 Surveillance cabinet
- NDA-U-WMP Wall mount plate
- NDA-U-CMT Corner mount adapter
- NDA-U-PMAL Pole mount adapter large
- NDA-U-PMAS Pole mount adapter small

Certifications and approvals

Environmental

Salt mist	IEC60068-2-52
Vibration	NEMA TS2
Shock	IEC60068-2-27
Impact	IK10

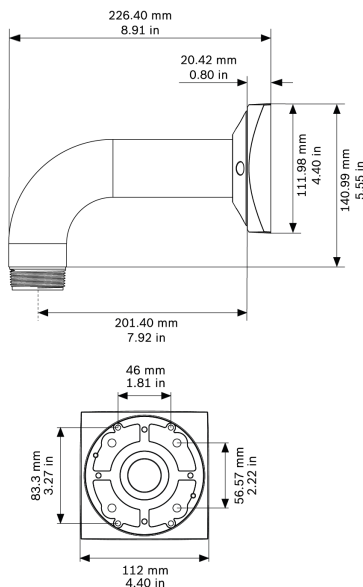
Parts included

Quantity	Component
1	Wall mount
4	M5 x 16mm pan head Torx screw with Zinc coating
1	Thread seal tape: PTFE tape
1	IP rubber plug
1	T25 Torx key
1	Quick Installation Guide

Technical specifications

Mechanical

Dimensions (connection plate)	Φ 101.5 mm (4 in)
Dimensions (W x H)	227.4 x 155.7 mm (9 x 6.1 in)
Weight	650 g (1.43 lb)
Standard Color	White (RAL 9003)
Construction Material	Aluminum alloy



Dimensions in mm (inch)

Ordering information

NDA-U-WMTG Pendant wall mount, gang box

Universal wall mount, compatible with gang box installation for fixed dome cameras only, white
 Extension for universal pipe mount, 50 cm, white
 Order number **NDA-U-WMTG**

Accessories

NDA-U-PMTE Pendant pipe extension, 20" (50cm)

Extension for universal pipe mount, 50 cm, white
 Order number **NDA-U-PMTE**

NDA-U-PSMB Pendant wall/ceiling mount SMB

Surface mount box (SMB) for wall mount or pipe mount.
 Order number **NDA-U-PSMB**

NDA-5030-PIP Pendant interface plate NDE-4/5000

Pendant interface plate for outdoor FLEXIDOME 4000i / 5000i.
 Order number **NDA-5030-PIP**

NDA-7010-PIP Pendant interface plate for NIN-70112

Pendant interface plate for FLEXIDOME IP panoramic 7000.
 Order number **NDA-7010-PIP**

NDA-U-CMT Corner mount adapter

Universal corner mount, white
 Order number **NDA-U-CMT**

NDA-U-PA0 Surveillance cabinet 24VAC

Surveillance cabinet, 24 VAC input, 24 VAC output, IP66
 Order number **NDA-U-PA0**

NDA-U-PA1 Surveillance cabinet 120VAC

Surveillance cabinet, 100 - 120 VAC 50/60 Hz input, 24 VAC output, IP66
 Order number **NDA-U-PA1**

NDA-U-PA2 Surveillance cabinet 230VAC

Surveillance cabinet, 230 VAC input, 24 VAC output, IP66
 Order number **NDA-U-PA2**

NDA-U-PMAL Pole mount adapter large

Universal pole mount adapter, white; large
 Order number **NDA-U-PMAL**

NDA-U-PMAS Pole mount adapter small

Pole mount adapter small
 Universal pole mount adapter, white; small.
 Order number **NDA-U-PMAS**

NDA-U-WMP Wall mount plate

Back plate for universal wall mount, corner mount and pole mount, white, IP66
 Order number **NDA-U-WMP**

Represented by:

Europe, Middle East, Africa:
Bosch Security Systems B.V.
P.O. Box 80002
5600 JB Eindhoven, The Netherlands
Phone: + 31 40 2577 284
emea.securitysystems@bosch.com
emea.boschsecurity.com

Germany:
Bosch Sicherheitssysteme GmbH
Robert-Bosch-Ring 5
85630 Grasbrunn
Germany
www.boschsecurity.com

North America:
Bosch Security Systems, Inc.
130 Perinton Parkway
Fairport, New York, 14450, USA
Phone: +1 800 289 0096
Fax: +1 585 223 9180
onlinehelp@us.bosch.com
www.boschsecurity.us

Asia-Pacific:
Robert Bosch (SEA) Pte Ltd, Security Systems
11 Bishan Street 21
Singapore 573943
Phone: +65 6571 2808
Fax: +65 6571 2699
apr.securitysystems@bosch.com
www.boschsecurity.asia