

# VDA-WMT-AODOME Outdoor Wall Mount

www.boschsecurity.com



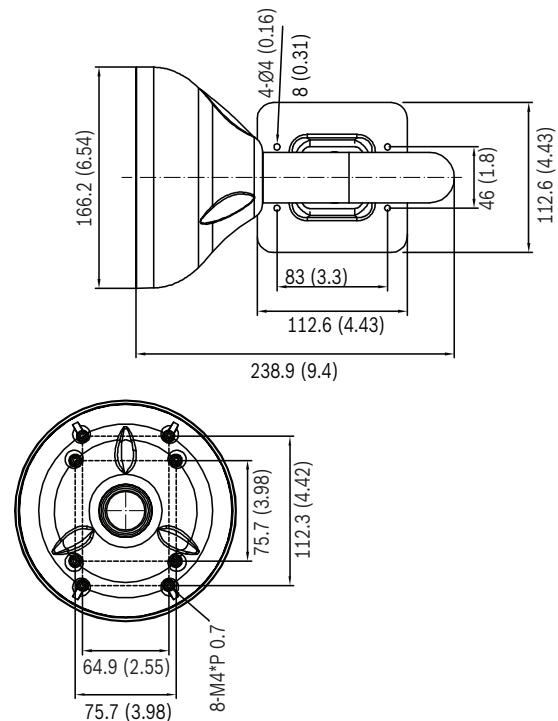
**BOSCH**  
Invented for life



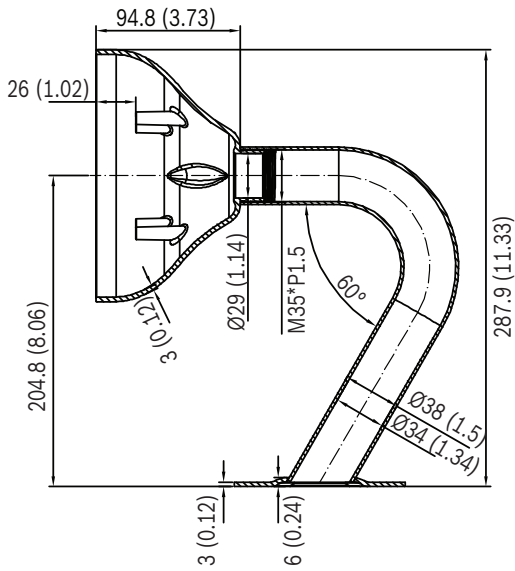
- ▶ Sturdy construction
- ▶ Easy installation
- ▶ Hollow core for cable-free appearance
- ▶ Tough 4-bolt anchoring

This pendant wall mount is specifically designed for outdoor dome cameras. The mount is easy to install and has a sturdy construction.

## Installation/configuration notes



mm (in.)



### Parts included

The packaging contains:

	Item
1x	Mount
	Attachment components

### Technical specifications

Construction material	Aluminum alloy
Finish	RAL 9003 signal white
Weight	0.69 kg (1.52 lb)

### Ordering information

#### VDA-WMT-AODOME Outdoor Wall Mount

Sturdy outdoor wall mount bracket for dome cameras (Ø166 mm)

Order number **VDA-WMT-AODOME**

#### Represented by:

##### Americas:

Bosch Security Systems, Inc.  
130 Perinton Parkway  
Fairport, New York, 14450, USA  
Phone: +1 800 289 0096  
Fax: +1 585 223 9180  
security.sales@us.bosch.com  
www.boschsecurity.us

##### Europe, Middle East, Africa:

Bosch Security Systems B.V.  
P.O. Box 80002  
5617 BA Eindhoven, The Netherlands  
Phone: + 31 40 2577 284  
Fax: +31 40 2577 330  
emea.securitysystems@bosch.com  
www.boschsecurity.com

##### Asia-Pacific:

Robert Bosch (SEA) Pte Ltd, Security Systems  
11 Bishan Street 21  
Singapore 573943  
Phone: +65 6571 2808  
Fax: +65 6571 2699  
apr.securitysystems@bosch.com  
www.boschsecurity.asia

##### China:

Bosch (Shanghai) Security Systems Ltd.  
203 Building, No. 333 Fuquan Road  
North IBP  
Changning District, Shanghai  
200335 China  
Phone +86 21 22181111  
Fax: +86 21 22182398  
www.boschsecurity.com.cn

##### America Latina:

Robert Bosch Ltda Security Systems Division  
Via Anhanguera, Km 98  
CEP 13065-900  
Campinas, Sao Paulo, Brazil  
Phone: +55 19 2103 2860  
Fax: +55 19 2103 2862  
latam.boschsecurity@bosch.com  
www.boschsecurity.com