

AUTODOME 4000

www.boschsecurity.com



BOSCH

Invented for life



Advantage Line

The AUTODOME 4000 Mini PTZ Dome is a rugged, compact, high-resolution, day/night camera that delivers uncompromised functionality and performance at a very affordable price. It features a 30x optical zoom (10x digital zoom), a horizontal resolution of 720 TVL (NTSC and PAL), privacy masking, Wide Dynamic Range (WDR), and a built-in heater.

With a dome diameter of only 4.4 inches (11.2 cm), the AUTODOME 4000 is about 70% smaller than traditional PTZ cameras and 20% smaller than most other compact domes. These compact dimensions make the AUTODOME 4000 ideal for discrete surveillance applications in both indoor and outdoor environments.

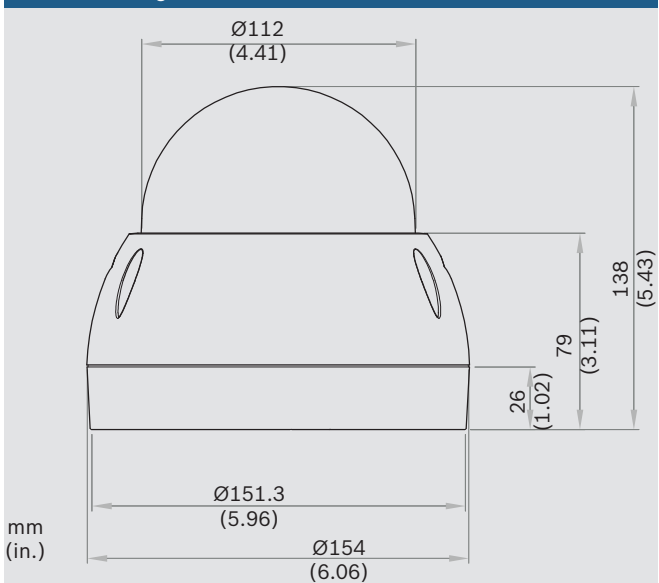
Features

- ▶ True day/night camera with 30x optical zoom
- ▶ 720 TVL resolution
- ▶ Wide Dynamic Range (WDR)
- ▶ Compact, vandal-resistant (IK10 rated) enclosure
- ▶ Suitable for indoor and outdoor use

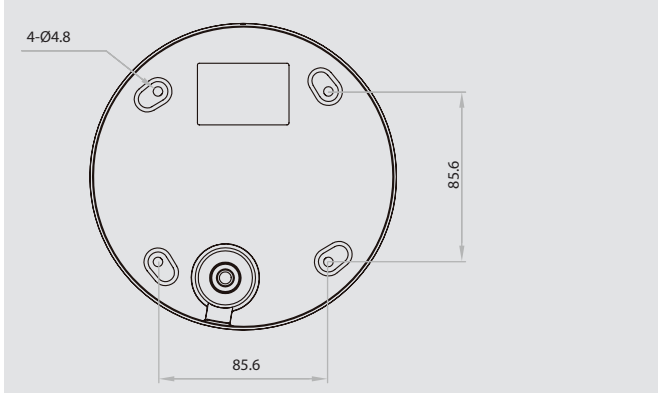
Technical specifications

Camera	
Imager	1/4" Double Scan Super HAD CCD II
Lens size	fW=3.49 ±0.17 mm fT=104.02 ±5.20 mm (30x +/- 10% Optical Zoom)
Effective Pixels	PAL: 976 (H) x 582 (V) NTSC: 976 (H) x 494 (V)
Horizontal Resolution	720 TVL (NTSC, PAL)
Optical Zoom	30x Effective Optical Zoom
Digital Zoom	10x
Field of View (approximate)	2.46° (TELE) to 69.5° (Wide)
Focus	Automatic with manual override
Signal-to-Noise Ratio (SNR)	>50 dB
White Balance	Auto, indoor, outdoor, one push
Minimum Illumination	0.2 Lux/ F1.65 0.001 Lux/DSS 0.1 Lux/ICR
Iris Control	Auto
Wide Dynamic Range (WDR)	On/Off
Dynamic Noise Reduction (DNR)	3DNR
Privacy	15 zones maximum
Mechanical	
Weight	1.5 kg (3.3 lb)
Pan Range	360° continuous
Tilt Range	0° to 180° (90° when 3D Privacy Masking is enabled)
Flip	Rotate 180° at bottom of tilt
Auto Scan	8 Auto Scan modes including vector scan
Pre-position Speed	360°/s
Preset Positions	99 (Bosch OSRD); 210 (Pelco P/D) positions with camera status
Tours	8 Tours (Preset, Pattern, Scan)
Patterns	8 Patterns
On-Screen Display (OSD)	Camera ID, Title, Mode, and Angle (multi-language)
Multi-language OSD	English, Chinese, Dutch, French, German, Italian, Russian, Spanish
Electrical	
Power Supply	24 VAC ± 10%, 50/60 Hz Built-in power line surge
Power Requirements	24 VAC adapter, 1 A (2.5 A with heater)
Power Consumption	24 VAC, 850 mA / 20 W (without heater) 24 VAC, 2A / 45 W (with heater)
Alarm Input	4 normal dry contacts (selectable NC/NO)
Alarm Output	1 normal relay 5 VDC / 40 mA maximum (selectable NC/NO)
Control	RS-485; baud rate: 2400-38.4 Kbps (default = 9600 bps)
Access Time	0.75 second maximum preset recall time
Camera Address (ID)	Physical - 99
Environmental	
Ingress Protection Rating	IP66
External Mechanical Impact (IK Code or Impact rating)	IK10
Operating Temperature	-40 °C to +50 °C (-40 °F to +122 °F) Heater works automatically from -40 °C/°F to +10 °C (+50 °F)
Heater thermostat	On/Off at 0 °C to 10 °C (32 °F to 50 °F)

Installation Humidity	80% relative humidity (RH)
Storage Temperature	-20 °C to +60 °C (-4 °F to +140 °F)
Communications	
Camera Setup/Control	RS-485; Bosch Biphase with converter (sold separately)
Communications Protocols	Bosch (OSRD), Pelco P/D; (Bosch Biphase to OSRD protocol converter, sold separately)
Construction	
Housing Material	Cast aluminum
Color	White or Charcoal
Size (Diameter x Height)	Ø154 x 138 mm (H)
Bubble	Ø112 mm Polycarbonate; clear or tinted
Certifications and approvals	
Region	Certification
USA	UL FCC
Australia	CTICK
Europe	CE
Installation/configuration notes	



Dimensions, Camera Side



Dimensions, Camera Bottom

Parts included	
Quantity	Component
1	AUTODOME 4000 Mini PTZ Dome Camera

1	Drilling Template for flush mount
4	6 x 30 mm plastic anchors
4	#8 x 32 screws and attached O-rings
4	M4 x 12 Torx screws and attached O-rings
1	T20 Security Torx wrench
1	Installation Manual

Ordering information

AUTODOME 4000 Mini PTZ Dome 30x PAL camera, white, clear bubble	VEZ-413-EWCS
AUTODOME 4000 Mini PTZ Dome 30x PAL camera, charcoal, clear bubble	VEZ-413-ECCS
AUTODOME 4000 Mini PTZ Dome 30x PAL camera, white, tinted bubble	VEZ-413-EWTS
AUTODOME 4000 Mini PTZ Dome 30x PAL camera, charcoal, tinted bubble	VEZ-413-ECTS
AUTODOME 4000 Mini PTZ Dome 30x NTSC camera, white, clear bubble	VEZ-423-EWCS
AUTODOME 4000 Mini PTZ Dome 30x NTSC camera, charcoal, clear bubble	VEZ-423-ECCS
AUTODOME 4000 Mini PTZ Dome 30x NTSC camera, white, tinted bubble	VEZ-423-EWTS
AUTODOME 4000 Mini PTZ Dome 30x NTSC camera, charcoal, tinted bubble	VEZ-423-ECTS

Accessories

AUTODOME 4000 In-Ceiling Mount	VEZ-A4-IC
AUTODOME 4000 Pipe Mount, Charcoal	VEZ-A4-PC
AUTODOME 4000 Pipe Mount, White	VEZ-A4-PW
AUTODOME 4000 Wall Mount, Charcoal	VEZ-A4-WC
AUTODOME 4000 Wall Mount, White	VEZ-A4-WW
UPA-2450-50 Power Supply, 220 V, 50 Hz	UPA-2450-50
UPA-2450-60 Power Supply, 120 V, 60 Hz	UPA-2450-60
MIC-BP3 Biphas Converter	MIC-BP3

Represented by:

Americas:

Bosch Security Systems, Inc.
130 Perinton Parkway
Fairport, New York, 14450, USA
Phone: +1 800 289 0096
Fax: +1 585 223 9180
security.sales@us.bosch.com
www.boschsecurity.us

Europe, Middle East, Africa:

Bosch Security Systems B.V.
P.O. Box 80002
5617 BA Eindhoven, The Netherlands
Phone: +31 40 2577 284
Fax: +31 40 2577 330
emea.securitysystems@bosch.com
www.boschsecurity.com

Asia-Pacific:

Robert Bosch (SEA) Pte Ltd, Security Systems
11 Bishan Street 21
Singapore 573943
Phone: +65 6571 2808
Fax: +65 6571 2699
apr.securitysystems@bosch.com
www.boschsecurity.asia

China:

Bosch (Shanghai) Security Systems Ltd.
201 Building, No. 333 Fuquan Road
North IBP
Changning District, Shanghai
200335 China
Phone +86 21 22181111
Fax: +86 21 22182398
www.boschsecurity.com.cn

America Latina:

Robert Bosch Ltda Security Systems Division
Via Anhanguera, Km 98
CEP 13065-900
Campinas, Sao Paulo, Brazil
Phone: +55 19 2103 2860
Fax: +55 19 2103 2862
al.securitysystems@bosch.com
www.boschsecurity.com