


BOSCH

Invented for life

AEGIS SuperLED White Light Illuminator



- ▶ **Constant Light technology ensures consistent illumination**
- ▶ **3D diffuser technology delivers the even illumination required by CCTV**
- ▶ **Enables optimum nighttime color performance**
- ▶ **Enhances video analytics performance**
- ▶ **Reduced power consumption for a greener, more environmentally friendly solution with lower operating costs**

AEGIS illuminators feature Constant Light technology, which automatically controls and adjusts light output to compensate for LED degradation and temperature changes. LED degradation results in poor light output, reduced image quality, and reduced illumination range. The Constant Light patent-pending technology maintains a constant level of light throughout the life of the illuminator, thus overcoming this performance-related issue identified by security consultants, installers, and end users alike.

3D Diffuser technology micro-refractive lens technology enables increased surveillance range, wider beam patterns, and evenly illuminated nighttime surveillance images. Specifically designed for energy efficient operation, AEGIS can be powered directly from any 12 to 24 VDC or 24 VAC supply for faster, flexible, cost effective installations.

Functions

- 3D diffuser technology eliminates hotspots in the foreground and underexposed backgrounds
- Delivers even illumination designed specifically for CCTV
- Dramatically improves night-time imaging, reducing noise and increasing video signal

- When used with encoding and digital recording systems, even illumination reduces bit rate and so lowers storage requirements

Controlled by Constant Light Technology

- Maintains a constant level of lighting performance for the life of the illuminator
- Maintains a constant level of lighting performance when operated at varying ambient temperatures

Installer friendly installation features

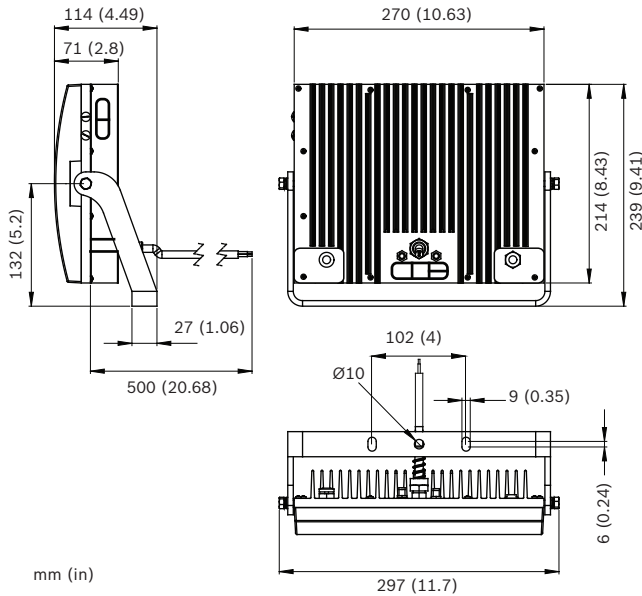
- Low voltage input to the illuminator for safe installation
- Illuminator link port allows one illuminator to switch all others in a master/slave configuration
- Dual-mode camera port allows color/mono control from or to the camera
- Easy connection using dedicated cables

High Efficiency Surface Mount LEDs

- Industry-leading thermal management and super high-efficient LEDs deliver maximum illumination

Installation/Configuration Notes

Dimensions



Technical Specifications

AEGIS SuperLED Infrared

Color	Black anodized heat sink, white front fascia with clear window
LEDs	High efficiency surface mounted LED array with current-limited integral power circuit
Color temperature	4200 K
Beam Patterns	10°, 20°, 30°, 60°, 95°, 120°
Consumption	50–90 W (90 W max power)
Input Voltage	12 to 24 VDC or 24 VAC, 50/60 Hz
Temperature Range	–40°C to +50°C (–40°F to 122°F) max. on full power
Environmental	IP67
Construction	Robust, aluminum construction with acrylic front fascia
Weight	3.8 kg (8.4 lb)
Dimensions	305 x 240 x 110 mm (11.9 x 9.4 x 4.4 in)
Power Cable	4 m (13 ft)
Bracket	Wall mount U-bracket supplied

AEGIS SuperLED White Light Performance Ranges

Model	Wave-length	Beam Patterns	Achievable Distance*	HFOV
SLED10-WBD	White light	10°	85 m (275 ft)	15 m (50 ft)
SLED20-WBD	White light	20°	55 m (180 ft)	20 m (65 ft)
SLED30-WBD	White light	30°	50 m (165 ft)	25 m (85 ft)
SLED60-WBD	White light	60°	35 m (115 ft)	40 m (130 ft)
SLED95-WBD	White light	95°	25 m (85 ft)	55 m (180 ft)
SLED120-WBD	White light	120°	20 m (65 ft)	70 m (230 ft)

* Actual illumination distance achieved is dependent on camera and lens characteristics.

Ordering Information

SuperLED Black Diamond (White-10) EX PSU	SLED10-WBD
SuperLED Black Diamond (White-20) EX PSU	SLED20-WBD
SuperLED Black Diamond (White-30) EX PSU	SLED30-WBD
SuperLED Black Diamond (White-60) EX PSU	SLED60-WBD
SuperLED Black Diamond (White-95) EX PSU	SLED95-WBD
SuperLED Black Diamond (White-120) EX PSU	SLED120-WBD

Accessories

PSU-224-DC100 Universal Power Supply Universal Power Supply 2x24 VDC	PSU-224-DC100
UFLED-CL-1M Link Cable 1 m (3.3 ft) telemetry link cable for Aegis illuminators	UFLED-CL-1M
UFLED-CI-5M Switching Cable 5 m (16.4 ft) remote telemetry or day/night switching cable for Aegis illuminators	UFLED-CI-5M

Americas:
Bosch Security Systems, Inc.
130 Perinton Parkway
Fairport, New York, 14450, USA
Phone: +1 800 289 0096
Fax: +1 585 223 9180
security.sales@us.bosch.com
www.boschsecurity.us

Europe, Middle East, Africa:
Bosch Security Systems B.V.
P.O. Box 80002
5600 JB Eindhoven, The Netherlands
Phone: +31 40 2577 284
Fax: +31 40 2577 330
emea.securitysystems@bosch.com
www.boschsecurity.com

Asia-Pacific:
Represented by
Robert Bosch (SEA) Pte Ltd, Security Systems
11 Bishan Street 21
Singapore 573943
Phone: +65 6258 5511
Fax: +65 6571 2698
apr.securitysystems@bosch.com
www.boschsecurity.asia