

UHI-SBG-0 Series Indoor Housing

www.boschsecurity.com



BOSCH
Invented for life



- ▶ Economical indoor housing with mount
- ▶ Aluminum mount included
- ▶ Feed-through wiring option
- ▶ Glass fiber reinforced ABS
- ▶ Accommodates 1/4-inch, 1/3-inch, and 1/2-inch CCD cameras

The UHI-SBG-0 Housing is smartly styled for indoor use. This housing meets customers' demands for attractive housings that are both cost competitive and easy to install. They fit a wide range of 1/4 in., 1/3 in., and 1/2 in. format CCD cameras and varifocal lenses.

Functions

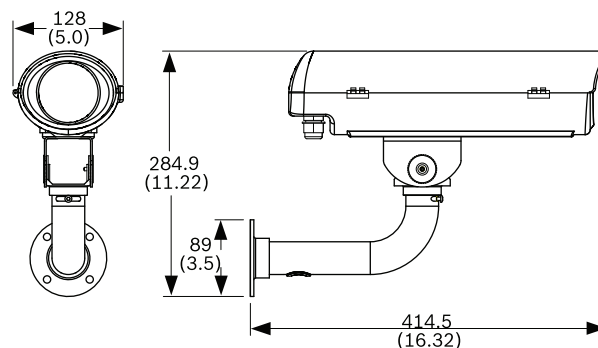
The design of these housings is unique. Removal of two tamper-resistant screws is all that is necessary to open the cover and totally expose the camera and lens. This allows access to all camera and lens controls when the camera is in its mounted position. Power and video cabling can be routed through liquid tight fittings in the bottom or rear of the housing. To complete this set, a sturdy aluminum feed-through mount is added.

Certifications and approvals

Product Safety CE, UL, cUL

Region	Certification
Europe	CE
USA	UL
Canada	CSA

Installation/configuration notes



mm
in.

Parts included

Quantity	Component
1	Indoor housing
1	Aluminum bracket

Technical specifications**Electrical**

Maximum Camera Power	Max. 10 W 24 VAC–230 VAC, 50/60 Hz, 0.5 A
----------------------	--

Mechanical

Max Camera/Lens Size (W x H x L)	80 x 60 x 210 mm (3.1 x 2.3 x 8.2 in.)
Cable Entry	Two liquid tight rear fittings accept cable diameters from 6.5 mm to 10.5 mm (0.26 in. to 0.42 in.). Two bottom feed-through liquid tight fittings accept cable diameters from 4.0 mm to 7.0 mm (0.16 in. to 0.28 in.).
Window	3 mm (0.12 in.) thick glass.
Housing Mounting	Includes one J-mount. Four (4) available 1/4 -20 tapped holes.
Camera Mounting	Removable camera bracket. Mounted with one screw.
Construction/Finish	Reinforced with glass fiber ABS, stainless steel hardware.
Finish	Dark mushroom.
Dimensions	See UHI-SBG-0 drawing.
Weight	1.0 kg (2.2 lb) including bracket.

Environmental

Temperature	-10°C (14°F) to 50°C (122°F)
Enclosure Protection	IP30 (indoor use only)

Ordering information**UHI-SBG-0 Series Indoor Housing**

For camera/lens lengths up to 210 mm (8.2 in.)
Order number **UHI-SBG-0**

Represented by:**Americas:**

Bosch Security Systems, Inc.
130 Perinton Parkway
Fairport, New York, 14450, USA
Phone: +1 800 289 0096
Fax: +1 585 223 9180
security.sales@us.bosch.com
www.boschsecurity.us

Europe, Middle East, Africa:

Bosch Security Systems B.V.
P.O. Box 80002
5617 BA Eindhoven, The Netherlands
Phone: + 31 40 2577 284
Fax: +31 40 2577 330
emea.securitysystems@bosch.com
www.boschsecurity.com

Asia-Pacific:

Robert Bosch (SEA) Pte Ltd, Security Systems
11 Bishan Street 21
Singapore 573943
Phone: +65 6571 2808
Fax: +65 6571 2699
apr.securitysystems@bosch.com
www.boschsecurity.asia

China:

Bosch (Shanghai) Security Systems Ltd.
201 Building, No. 333 Fuquan Road
North IBP
Changning District, Shanghai
200335 China
Phone +86 21 22181111
Fax: +86 21 22182398
www.boschsecurity.com.cn

America Latina:

Robert Bosch Ltda Security Systems Division
Via Anhanguera, Km 98
CEP 13065-900
Campinas, Sao Paulo, Brazil
Phone: +55 19 2103 2860
Fax: +55 19 2103 2862
latam.boschsecurity@bosch.com
www.boschsecurity.com