

AUTODOME IP 5000 HD

www.boschsecurity.com



BOSCH

Invented for life



- ▶ Choice of 720p25/30 or 1080p25/30 HD resolution, 30x optical zoom with Bosch's imaging platform specially designed and tuned for accurate color reproduction in scenes with varying lighting levels from day to night
- ▶ Identification of people up to 180 m (590 ft) without loss of any details
- ▶ High-speed PTZ control for monitoring people and vehicles in large indoor/outdoor scenes
- ▶ Exceptional low bit rates in static scenes to save the storage cost by up to 50% compared to any equivalent dome in the market
- ▶ ONVIF Profile S and third party software support for easy integration with VMS

With AUTODOME IP 5000 HD cameras, you can capture full details of your surveillance space and identify activity details in the scene. The 30x zoom lens with 720p25/30 or 1080p25/30 HD resolution ensures a sufficient magnification ratio to identify people easily from a distance of up to 180 m (590 ft) for 1080p models and up to 125 m (410 ft) for 720p models.

The camera provides complete network-based control of all functionality including pan/tilt/zoom operation, presets, tours, alarms, and web-based configuration of all camera settings.

The AUTODOME IP family makes it easier for you to stay in control of your security even when you're on the go. When used in combination with the Video Security App from Bosch, the camera supports Dynamic Transcoding technology, which allows you to stream high-resolution H.264 video, to pan/tilt/zoom the camera, and to search recorded clips remotely through mobile devices such as smart phones or tablets, all on a low-bandwidth network connection (up to 50% less than other H.264 PTZ cameras).

Functions

Superior imaging performance

Designed using Bosch's digital imaging platform, AUTODOME IP 5000 HD cameras deliver high-resolution, zoomed-in views for indoor and outdoor applications with large coverage areas.

Pre-programmed user modes

The camera comes with three (3) pre-tuned scene modes to match various lighting conditions found in indoor scenes. Users can complete the configuration without going through multiple imaging settings.

- Indoor: general day-to-night changes without sun highlights and street lighting
- Outdoor: general day-to-night changes with sun highlights and street lighting
- Vibrant: enhanced contrast, sharpness and saturation

Sodium vapor lamp white balance

The camera is an exceptional performer when capturing video under a sodium vapor lamp (a street lamp or tunnel lamp, for example). Uncorrected

images under these conditions have a yellowish tint, which can make identification difficult. In the Sodium Vapor White Balance mode, the camera automatically compensates for the light from a sodium vapor lamp to restore objects to their original color.

Superior privacy masking

For installations in public places where privacy of private property is of high concern, the camera provides 24 individual, easy-to-configure privacy masks, with up to 8 displayed in the same scene. As the camera is zoomed, each mask changes size smoothly and quickly, ensuring that the covered object cannot be seen in most cases.

PTZ drive and mechanism

The camera supports 256 pre-positions and two styles of Guard Tours: Pre-position and Record/Playback. The Pre-position tour has capability for up to 64 pre-positions with a configurable dwell time between pre-positions and can be customized as to the order and the frequency that each Pre-position is visited. The camera also provides support for two (2) recorded tours, which have a total duration of 15 minutes of movements. These are recorded macros of an operator's movements, including pan, tilt, and zoom activities, and can be played back in a continuous manner.

Pan and tilt preset repeatability are accurate to within ± 0.2 degrees to ensure that the correct scene is captured every time. The camera delivers maximum pan speed of 300 degrees per second and maximum tilt speed of 200 degrees per second. The camera is capable of manual speeds (pan and tilt) of 0.1 to 120 degrees per second. The camera provides a pan range of up to 360 degrees continuous rotation. The camera's tilt angle is from 0° to $\pm 90^\circ$.

Intelligent Dynamic Noise Reduction reduces bandwidth and storage requirements

The camera uses Intelligent Dynamic Noise Reduction which actively analyzes the contents of a scene and reduces noise artifacts accordingly.

The low-noise image and the efficient H.264 compression technology provide clear images while reducing bandwidth and storage by up to 50% compared to other H.264 cameras. This results in reduced-bandwidth streams that still retain a high image quality and smooth motion. The camera provides the most usable image possible by cleverly optimizing the detail-to-bandwidth ratio.

Bitrate optimized profile

The average typical optimized bitrate in kbits/s for various frame rates is shown in the table:

FPS	1080p	720p	480p
30	2600	1300	1000
15	2100	1100	800
10	1800	1000	700

5	1250	600	450
2	500	270	200

Actual bitrate may vary depending on the scene complexities and encoding configurations.

Area-based encoding

Area-based encoding is another feature which reduces bandwidth. Compression parameters for up to eight user-definable regions can be set. This allows uninteresting regions to be highly compressed, leaving more bandwidth for important parts of the scene. User can configure encoding regions for every configured preset (preposition/scene), to increase or decrease the encoding quality for selectable areas of the video image. These regions give better control of the bit rate. Important parts of the scene (identified as objects in the GUI) are encoded at high resolution and therefore have an enhanced encoding quality. Less important parts (such as the sky and trees in the background, all identified as backgrounds in the GUI) are encoded at lower quality and therefore have a decreased encoding quality.

Intelligent Defog

Users can configure the mode to be active continuously, or to activate automatically when the video analytics in the camera detects fog and optimizes the contrast in the video image (and then deactivates when the fog clears or the scene changes).

Advanced streaming

The camera offers advanced streaming capabilities so that you can configure the camera to take advantage of the latest network technology.

The camera is designed on an efficient and powerful encoding platform capable of delivering high-quality HD video with very low network load. The new intelligent encoding capabilities drop the bandwidth consumption to extremely low levels if the camera detects no motion in the scene.

The camera is capable of quad streaming which allows the camera to be configured to deliver independent, configurable streams for live viewing, recording, or remote monitoring on over bandwidth-constrained networks.

Recording and storage management

A memory card (a maximum of 32 GB microSDHC / 2 TB microSDXC) can be used for local alarm recording or for scheduled local recording to improve the overall recording reliability. Recording management can be controlled by the Bosch Video Recording Manager (Video Recording Manager), or the camera can use iSCSI targets directly without any recording software.

Alarm handling and Motion Detection

A wide range of configuration options is available for alarms signaling the camera. A built-in algorithm for detecting movement on presets can also be used for alarm signaling, or the camera can interface to an external alarm source using the built-in alarm I/O

ports. In addition, a user can also schedule virtual alarms. Any of the available external alarm, motion alarm or scheduled virtual alarms can then be used to trigger a relay output or to force the camera to do certain tasks (for example, to start a guard tour or to go to a preset location).

Access security

Password protection with three levels and 802.1x authentication is supported. To secure Web browser access, use HTTPS with a SSL certificate stored in the camera.

Complete viewing software

There are many ways to access the camera's features: using a web browser, with the Bosch Video Management System, with the free-of-charge Bosch Video Client, with the Video Security App, or via third-party software.

Bosch Video Security app

The AUTODOME IP cameras fully support Dynamic Transcoding technology from Bosch, which – in combination with the Video Security App from Bosch – provides 24/7 remote access to camera controls, live video streams, recordings and HD images from anywhere, regardless of available bandwidth. Dynamic Transcoding automatically adjusts the bit rate to the available bandwidth to ensure smooth video streaming. When the video is paused at an incident, a full HD still image is shown instantly. To gain all benefits of Dynamic Transcoding, simply expand the IP video surveillance system with either a DIVAR IP recording solution or a VIDEOJET XTC from Bosch.

System integration

The camera conforms to the ONVIF Profile S specifications. This ensures interoperability between network video products regardless of manufacturer. Third-party integrators can easily access the internal feature set of the camera for integration into large projects. Visit the Bosch Integration Partner Program (IPP) website (ipp.boschsecurity.com) for more information.

Ease of installation and servicing

The camera has been designed for quick and easy installation, a key feature from Bosch IP video security products.

Bosch designed the camera with the knowledge that field cables and mounts are installed before the camera is mounted. The new installation concept allows a single person to connect the cables directly to the camera without re-routing cables. The camera is easily secured to the mount with a single screw. The three-step installation process can save up to 5 minutes per camera installation compared to any conventional PTZ dome.

Indoor/outdoor pendant housings are rated to provide IP66 protection and offer an operating temperature range down to -40 °C (-40 °F). The indoor/outdoor camera comes fully assembled with a sunshield and

ready for wall or pipe applications with the proper mounting hardware (sold separately). You can easily convert the outdoor pendant for indoor applications by removing the sunshield.

Bosch offers a full complement of hardware and accessories (sold separately) for wall, corner, mast, roof, pipe mount, and in-ceiling applications for indoor and outdoor environments, which allow the camera to be adapted easily to individual site requirements.

Dual power options

All models can be powered by a IEEE 802.3at PoE+ switch or a 24 VAC power supply. When powered using PoE+ (IEEE 802.3at class 4) configuration, only a single cable connection is required to power and to control the camera while also viewing images from the camera. For additional system reliability, users also have the option to connect the 24 VAC power supply to the camera while using PoE+.

Easy upgrade

Remotely upgrade the camera whenever new firmware becomes available. This ensures up-to-date products, thus protecting investment with little effort.

Unsurpassed reliability

Certifications and approvals

HD standards

- Complies with the SMPTE 274M-2008 Standard in:
 - Resolution: 1920x1080
 - Scan: Progressive
 - Color representation: complies with ITU-R BT.709
 - Aspect ratio: 16:9
 - Frame rate: 25 and 30 frames/s
- Complies with the 296M-2001 Standard in:
 - Resolution: 1280x720
 - Scan: Progressive
 - Color representation: complies with ITU-R BT.709
 - Aspect ratio: 16:9
 - Frame rate: 25 and 30 frames/s

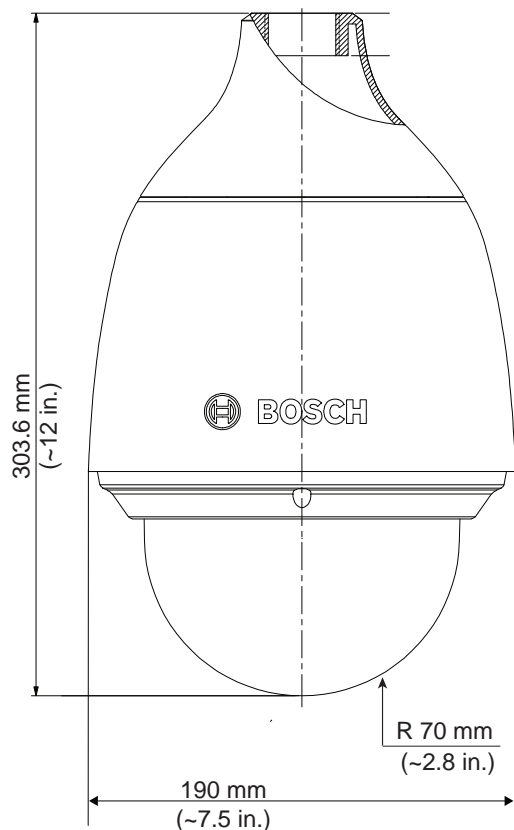
Marking	Applicable Standard
cULus	<ul style="list-style-type: none"> • UL60950-1/-22 (ed 2) (Includes CSA 22.2 No. 60950-1/-22)
FCC Part 15 (USA)	<ul style="list-style-type: none"> • 47CFR Part 15 • ICES-003 (Canada)

CE (Europe)	Electromagnetic Compatibility (EMC) Directive <ul style="list-style-type: none"> • EN 55022:2010 • EN 50130-4:2011 • EN 61000-3-2:2014 • EN 61000-3-3:2013 Product Safety: Low Voltage Directive (IECEE) CB scheme certificate and report are required) <ul style="list-style-type: none"> • EN 60950-1:2006+A11:2009+A1:2010+A12:2011+A2:2013 (with national differences) • IEC 60950-1/-22 (ed 1)
Other labels / markings	<ul style="list-style-type: none"> • RCM

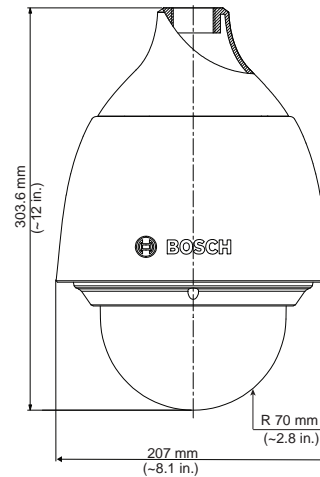
Other requirements are defined in the *Technical specifications* section.

Region	Certification
Europe	CE
USA	UL

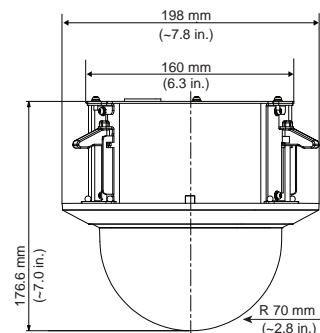
Installation/configuration notes



Indoor pendant



Outdoor pendant



In-ceiling

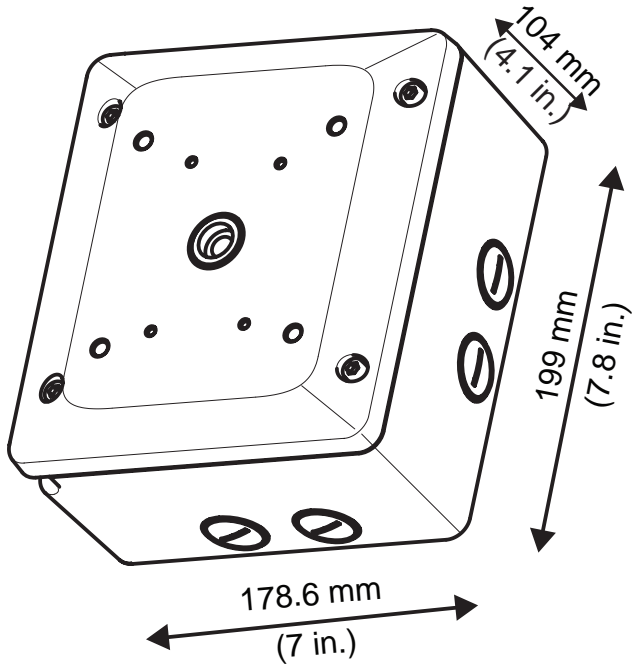
Pendant Arm

Wall Mount:
 + 
 VDA-AD-JNB Junction Box VEZ-A5-WMB Wall Mount

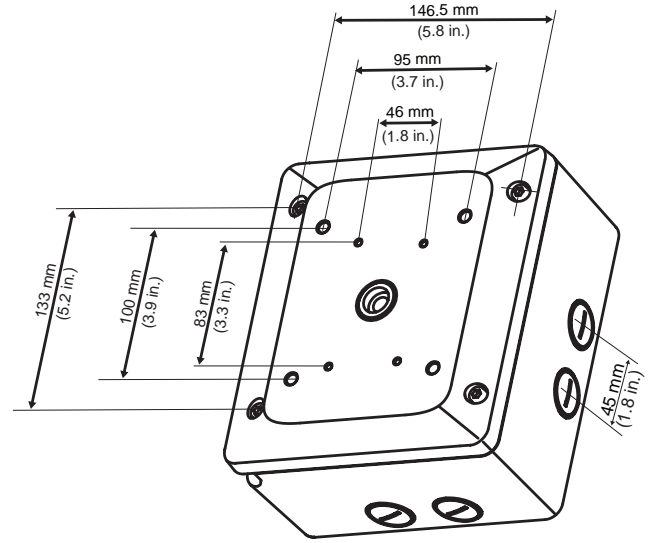
Pole Mount:
 +  + 
 VG4-A-9541 Mast Mount VDA-AD-JNB Junction Box VEZ-A5-WMB Wall Mount

Corner Mount:
 +  + 
 VG4-A-9542 Corner Mount VDA-AD-JNB Junction Box VEZ-A5-WMB Wall Mount

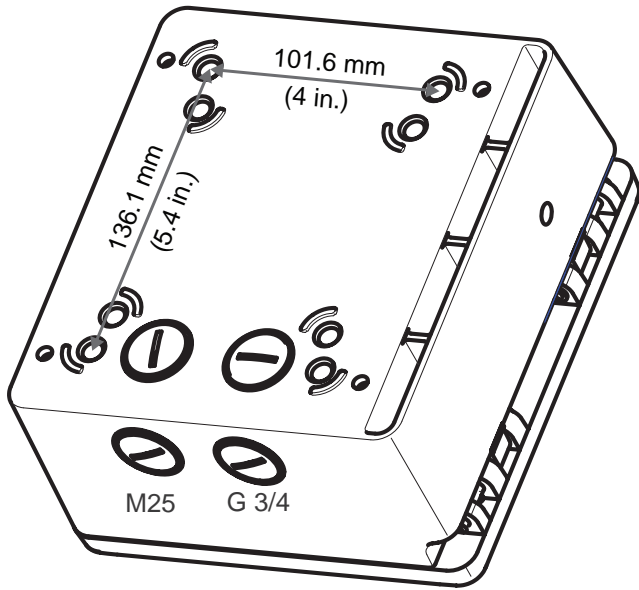
Mount Matrix



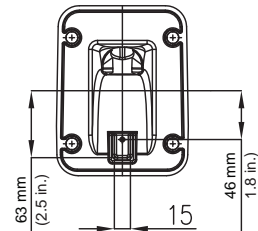
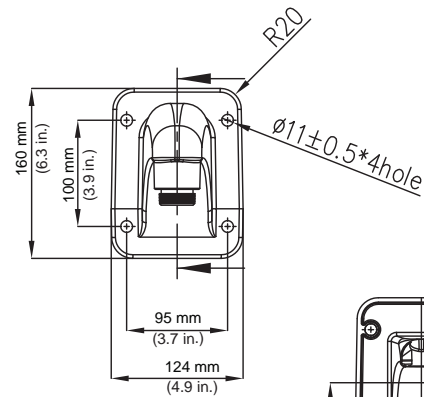
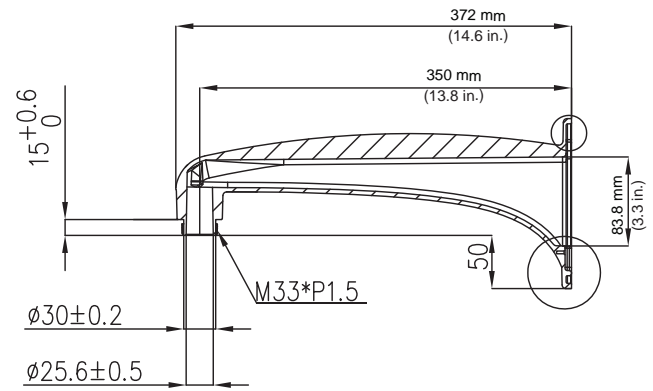
VDA-AD-JNB dimensions (outer box)



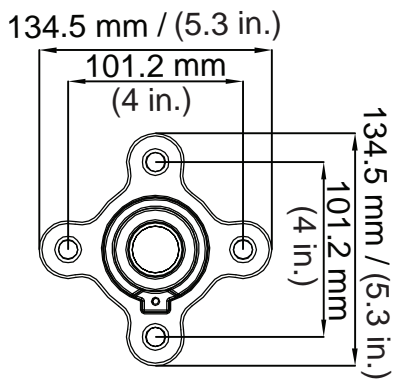
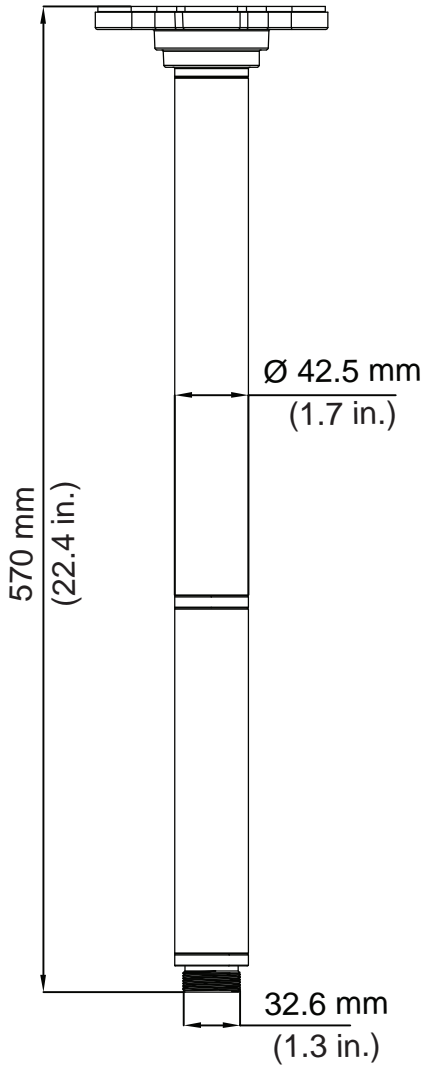
VDA-AD-JNB mounting hole measurements - front



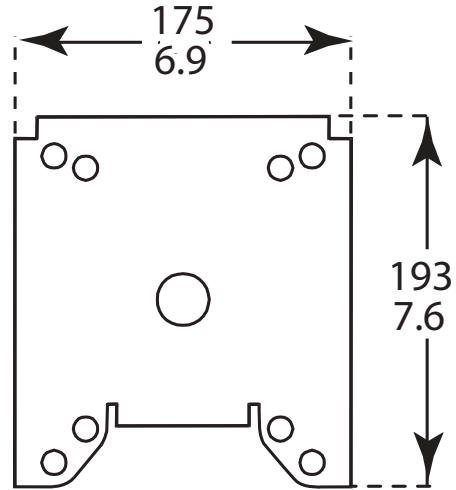
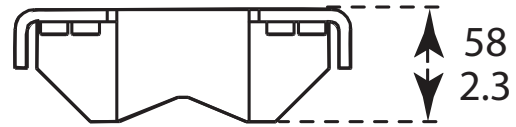
VDA-AD-JNB mounting hole measurements - back/rear



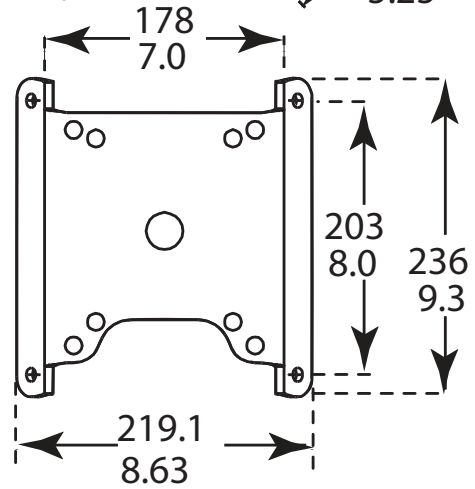
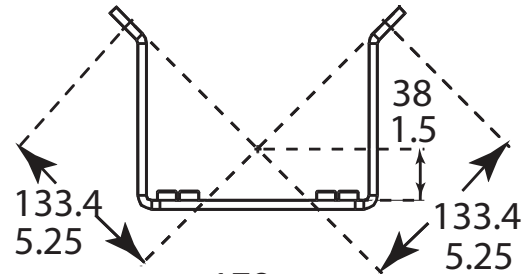
WMB dimensions



Pipe dimensions

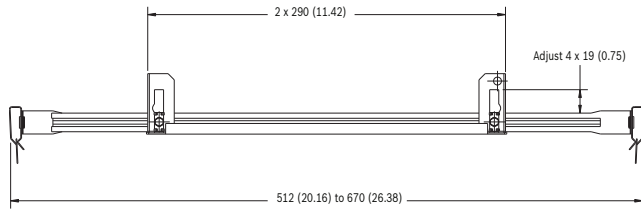


VG4-A-9541_Pole-Mount-Adapter_dimensions

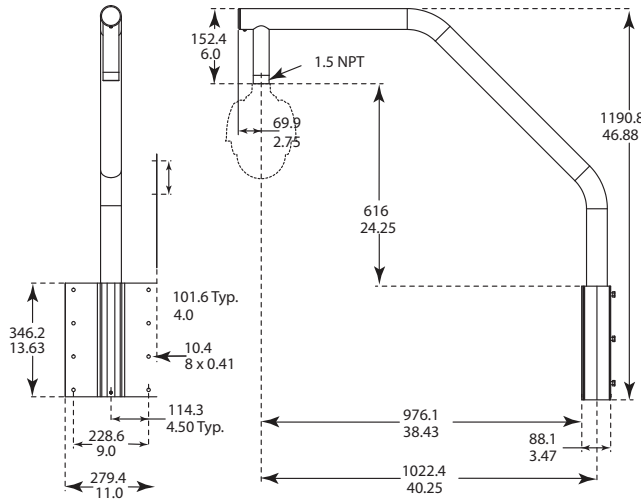


mm
in.

VG4-A-9542_Corner-Mount-Adapter_dimensions



VGA-IC-SP dimensions



VGA-ROOF-MOUNT dimensions

Technical specifications

Full product functionality is expected for specified conditions under general requirements for the operating temperature range and power supply.

AUTODOME IP 5000 HD camera

Imager	1/2.8" progressive scan CMOS
Total sensor pixels	2.48M pixels
Effective pixels	1080p: 1984 (H) x 1105 (V) (approximately 2.43M pixels) 720p: 1344 (H) x 745 (V)
Lens Focal Length	30x Zoom 4.3 mm–129 mm (F 1.6 - F 5.0)
Field of View (FOV)	2.3°–65°
Focus	Automatic with manual override
Iris	Automatic
Digital Zoom	16x

Sensitivity / Minimum Illumination (typical)	30 IRE	50 IRE
Day Mode (Color)		
SensUp off	0.22 lux	0.35 lux
SensUp on (1/7.5)	0.04 lux	0.08 lux

Night Mode (Black and white (monochrome))		
SensUp off	0.044 lux	0.07 lux
SensUp on (1/7.5)	0.008 lux	0.016 lux
Electronic Shutter Speed	1/25 sec to 1/15,000 sec (12 steps)	
WDR	76dB (DWDR)	
Signal-to-noise Ratio (SNR)	>50dB (AGC off)	
Noise Reduction	Intelligent Dynamic Noise Reduction	
Backlight Compensation (BLC)	On/Off	
Intelligent Defog	Automatically adjusts parameters for best picture in foggy or misty scenes (Auto/Off)	
White Balance	Standard Auto, Sodium Vapor Auto, Basic Auto, Manual, Hold, Dominant Color Auto	
Day/Night	Mechanical switchable IR filter (Auto/On/off) Monochrome	

Mechanical

Pan/Tilt Modes	Normal: 0.1°/s - 120°/s Turbo: Pan: 0.1°/s - 300°/s; Tilt: 0.1°/s - 200°/s
Pre-position Speed	Pan: 300°/s Tilt: 200°/s
Pan Range	360° continuous
Tilt Range	0° to ±90°
Preset Accuracy	± 0.2° typ.
Presets	256
Tours	Two (2) types of tours: • Recorded tours – two (2), maximum total duration 15 minutes (depending on the amount of commands sent during recording) • Preset tour – one (1) consecutive, one (1) custom

Electrical

Input Voltage	24 VAC and POE+
Power Consumption	24 VAC: 14W / 24W (Heater on) POE+ : 13W (Heater not supported)

Network

Video compression	H.264 (ISO/IEC 14496-10) M-JPEG		SMTP, iSCSI, UPnP (SSDP), DiffServ (QoS), LLDP, SOAP, Dropbox, CHAP, digest authentication
Streaming Capability	Quad Stream (2x H.264, 1x MJPEG, 1x i- Frame only)		Interoperability
Frame Rate	1080P (1 - 25/30fps) 720P (1 - 25/30fps)		ONVIF Profile S; GB/T 28181
			Audio
			Compression
			G.711, 8kHz sampling rate L16, 16kHz sampling rate AAC, 16kHz sampling rate
			Interface
			1/1 Channel In/Out
			Local Storage
			Local storage
			Memory card (a maximum of 32 GB microSDHC / 2 TB microSDXC). (An SD card of Class 6 or higher is recommended for HD recording.)
			Miscellaneous
			Sectors / Titling
			16 independent sectors with 20 characters per title
			Privacy Masking
			24 individually configurable privacy masks
			Video Analysis
			MOTION+
			Supported Languages
			English, German, Spanish, French, Italian, Dutch, Polish, Portuguese, Russian, Japanese, Chinese (simplified)
			User Connections
			Power, Network
			RJ45 (10/100BASE-T)
			Power, Camera
			24 VAC
			Alarm Inputs
			2
			Alarm Outputs
			1 relay output
			Audio
			1x mono line in, 1x mono line out
			• Signal line in
			12 kOhm typical, 1 Vrms max
			• Signal line out
			1 Vrms at 1.5 kOhm, typical
			Environmental
			Ingress Protection Rating/ Standard
			IP66 (pendant models) IP51 (in-ceiling model)
			IK Rating
			IK10 (pendant models)
			Operating Temperature (Pendant models)
			24 VAC: -40 °C to +60 °C (-40 °F to +140 °F) POE+: -20 °C to +60 °C (-4 °F to +140 °F)
			Operating Temperature (In- ceiling models)
			-10 °C to +60 °C (+14 °F to +140 °F)

When the option in field "Property" for Stream 1 is:	The available options in field "Property" for Stream 2 are:
H.264 MP SD	- H.264 MP SD
H.264 MP 720p fixed	- H.264 MP SD - H.264 MP 720p fixed - H.264 MP 400x720 upright (cropped) - H.264 MP D1 4:3 (cropped) - H.264 MP 1280x960 (cropped) - H.264 MP 640x480
H.264 MP 1080p fixed	- Copy Stream 1 - H.264 MP SD - H.264 MP 720p8/10 fixed - H.264 MP 1080p4/5 fixed - H.264 MP 400x720 upright (cropped) - H.264 MP D1 4:3 (cropped) - H.264 MP 640x480
H.264 MP 720p50/60 fixed	- Copy Stream 1 - H.264 MP SD - H.264 MP 720p6/7 fixed - H.264 MP 400x720 upright (cropped) - H.264 MP D1 4:3 (cropped) - H.264 MP 640x480

Non-recording profiles	Two (2) streams, I-frame only Options are: - HD Image Optimized - HD Balanced - HD Bit Rate Optimized - SD Image Optimized - SD Balanced - SD Bit Rate Optimized - DSL Optimized - 3G Optimized
------------------------	--

Resolution	Models NEZ-5130-xxxW4	Models NEZ-5230-xxxW4
	720P (1280×720) D1 (704×576/704×480)	1080P (1920×1080) 720P (1280×720) D1 (704×576/704×480)

Ethernet	10/100BASE-T
Protocols	IPv4, IPv6, UDP, TCP, HTTP, HTTPS, RTP/ RTCP, IGMP V2/V3, ICMP, ICMPv6, RTSP, FTP, Telnet, ARP, DHCP, APIPA (Auto-IP, link local address), NTP (SNTP), SNMP (V1, MIB- II), 802.1x, DNS, DNSv6, DDNS (DynDNS.org, selfHOST.de, no-ip.com),

Humidity	Up to 95% RH
Storage Temperature	-40 °C to +60 °C (-40 °F to +140 °F)

Construction

Dimensions (D x H)	Pendant models: Ø 190 mm x 303.6 mm (≈7.5 in. x ≈12.0 in.) With Sunshield: Ø 207 mm x 303.6 mm (≈8.15 in. x ≈12.0 in.) In-ceiling model: Ø 198 mm x 176.6 mm (7.8 in. x ≈7.0 in.)
Weight	Pendant models: 2.65 kg (5.8 lb) Pendant models with sunshield: 2.72 kg (6 lb) In-ceiling model: 2.10 kg (4.6 lb)
Construction Material	Housing, Pendant models: Aluminum Housing, In-ceiling model: SPCC Sunshield: Outdoor Grade Plastic Bubble: Polycarbonate
Standard Color	White (RAL 9003)

Ordering information

NEZ-5130-EPCW4 IP moving dome 720p pendant outdoor with sunshield

AUTODOME IP 5000 HD, 30x 720p30 HD camera with outdoor pendant housing and sunshield, clear bubble
Order number **NEZ-5130-EPCW4**

NEZ-5230-EPCW4 IP moving dome 1080p pendant outdoor with sunshield

AUTODOME IP 5000 HD, 30x 1080p30 HD camera with outdoor pendant housing and sunshield, clear bubble
Order number **NEZ-5230-EPCW4**

NEZ-5130-PPCW4 IP moving dome 720p pendant indoor

AUTODOME IP 5000 HD, 30x 720p30 HD camera with indoor housing suitable for pendant installation, clear bubble
Order number **NEZ-5130-PPCW4**

NEZ-5230-PPCW4 IP moving dome 1080p pendant indoor

AUTODOME IP 5000 HD, 30x 1080p30 HD camera with indoor housing suitable for pendant installation, clear bubble
Order number **NEZ-5230-PPCW4**

NEZ-5230-CPCW4 IP moving dome 1080p indoor in-ceiling

AUTODOME IP 5000 HD, 30x 1080p30 HD camera with indoor housing suitable for in-ceiling installation, clear bubble
Order number **NEZ-5230-CPCW4**

Accessories

UPA-2450-50 Power Supply, 220 V, 50 Hz

Power supply unit for cameras.
Indoor use
Order number **UPA-2450-50**

UPA-2450-60 Power Supply, 120 V, 60 Hz

Indoor power supply for camera. 120 VAC, 60 Hz In; 24 VAC, 50 VA Out
Order number **UPA-2450-60**

NPD-6001A High PoE midspan 60 W, single port, AC in High Power, 60 W Single Port PoE Midspan with AC in
Order number **NPD-6001A**

VDA-AD-JNB Junction Box for AUTODOME IP 4000/5000

Aluminum Junction Box without power supply for AUTODOME 4000 and 5000 cameras. Compatible with VEZ-A5-WMB and NEZ-A4-WW wall mounts, VG4-A-9542 corner mount, and VG4-A-9541 pole mount. Three M25 conduit holes, three G ¾ conduit holes. Wall-mountable. White.
Order number **VDA-AD-JNB**

VEZ-A5-WMB Wall Mount Bracket

Mount for installing an AUTODOME 5000 camera on a wall
Order number **VEZ-A5-WMB**

VEZ-A5-PP AUTODOME 5000 Pipe Mount

Mount for installing an AUTODOME 5000 camera onto a pipe.
Order number **VEZ-A5-PP**

VG4-A-9541 Pole Mount Adapter

Pole mount adapter for a VDA-AD-JNB Junction box
Order number **VG4-A-9541**

VG4-A-9542 Corner Mount Adapter

Corner mount adapter for a VDA-AD-JNB Junction Box
Order number **VG4-A-9542**

VGA-IC-SP In-ceiling Support Kit

Suspended ceiling support kit for dome cameras. Aperture Ø177 mm (Ø7 in). Maximum supported weight 11.3 kg (25 lb).
Order number **VGA-IC-SP**

VGA-ROOF-MOUNT Roof Mount

Roof parapet mount, white
Order number **VGA-ROOF-MOUNT**

LTC 9230/01 Flat Roof Mount Adapter

Flat Roof Mount Adapter for mounting a unit in an upright position on a flat surface.
Order number **LTC 9230/01**

NDA-ADPTR-NPTMET NPT-Metric Adapter

NPT-to-Metric Adapter (female-to-M33 male adapter) for use with NPT1.5 pipes with pipe mount (VEZ-A5-PP) and roof mount (VGA-ROOF-MOUNT).
Order number **NDA-ADPTR-NPTMET**

NEZ-A5-BUB-CTIP

Tinted bubble for in-ceiling housing.
Order number **NEZ-A5-BUB-CTIP**

NEZ-A5-BUB-PTIP

Tinted bubble for pendant housing.

Order number **NEZ-A5-BUB-PTIP**

MNT-ICP-ADC Suspension Ceiling Support Kit for AUTODOME in-ceiling cameras

Suspension ceiling support kit for AUTODOME IP 4000/5000/7000 AND VG5-100/600 series in-ceiling cameras

Order number **MNT-ICP-ADC**

Represented by:

Europe, Middle East, Africa:
Bosch Security Systems B.V.
P.O. Box 80002
5600 JB Eindhoven, The Netherlands
Phone: + 31 40 2577 284
emea.securitysystems@bosch.com
emea.boschsecurity.com

Germany:
Bosch Sicherheitssysteme GmbH
Robert-Bosch-Ring 5
85630 Grasbrunn
Germany
www.boschsecurity.com

North America:
Bosch Security Systems, Inc.
130 Perinton Parkway
Fairport, New York, 14450, USA
Phone: +1 800 289 0096
Fax: +1 585 223 9180
onlinehelp@us.bosch.com
www.boschsecurity.us

Asia-Pacific:
Robert Bosch (SEA) Pte Ltd, Security Systems
11 Bishan Street 21
Singapore 573943
Phone: +65 6571 2808
Fax: +65 6571 2699
apr.securitysystems@bosch.com
www.boschsecurity.asia