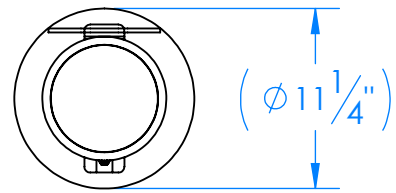
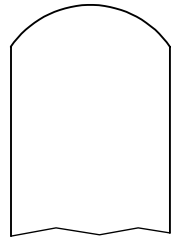


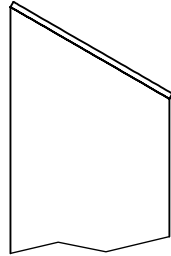
Cap Style



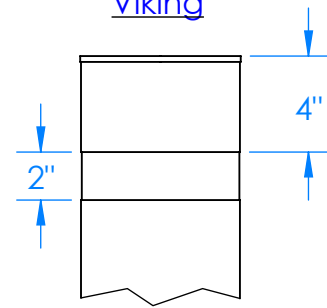
Dome



Knight



Viking



NOTE:

- 1.) FOOTING SHOWN IS A RECOMMENDED FOOTING, ENGINEERED BY OTHERS.
- 2.) EMBEDMENT SLEEVE IS SHOWN FOR REFERENCE ONLY. EMBEDMENT SLEEVE WILL BE ENTERED AS A SEPERATE LINE ITEM.
- 3.) HANDLE & CHAIN EYE ORIENTATION/ HEIGHT SHALL BE DETERMINED BY THE CUSTOMER WHEN BOTH OPTIONS ARE SELECTED.

SPECIFICATIONS:

Bollard Material : 6" Pipe (6-5/8" OD)

- IBP06040 Sch 40 ASTM A-53 Carbon Steel
- IBP06080 Sch 80 ASTM A-53 Carbon Steel

Bollard Cap Style:

- Flat (Standard)
- Viking
- Dome
- Knight

Options:

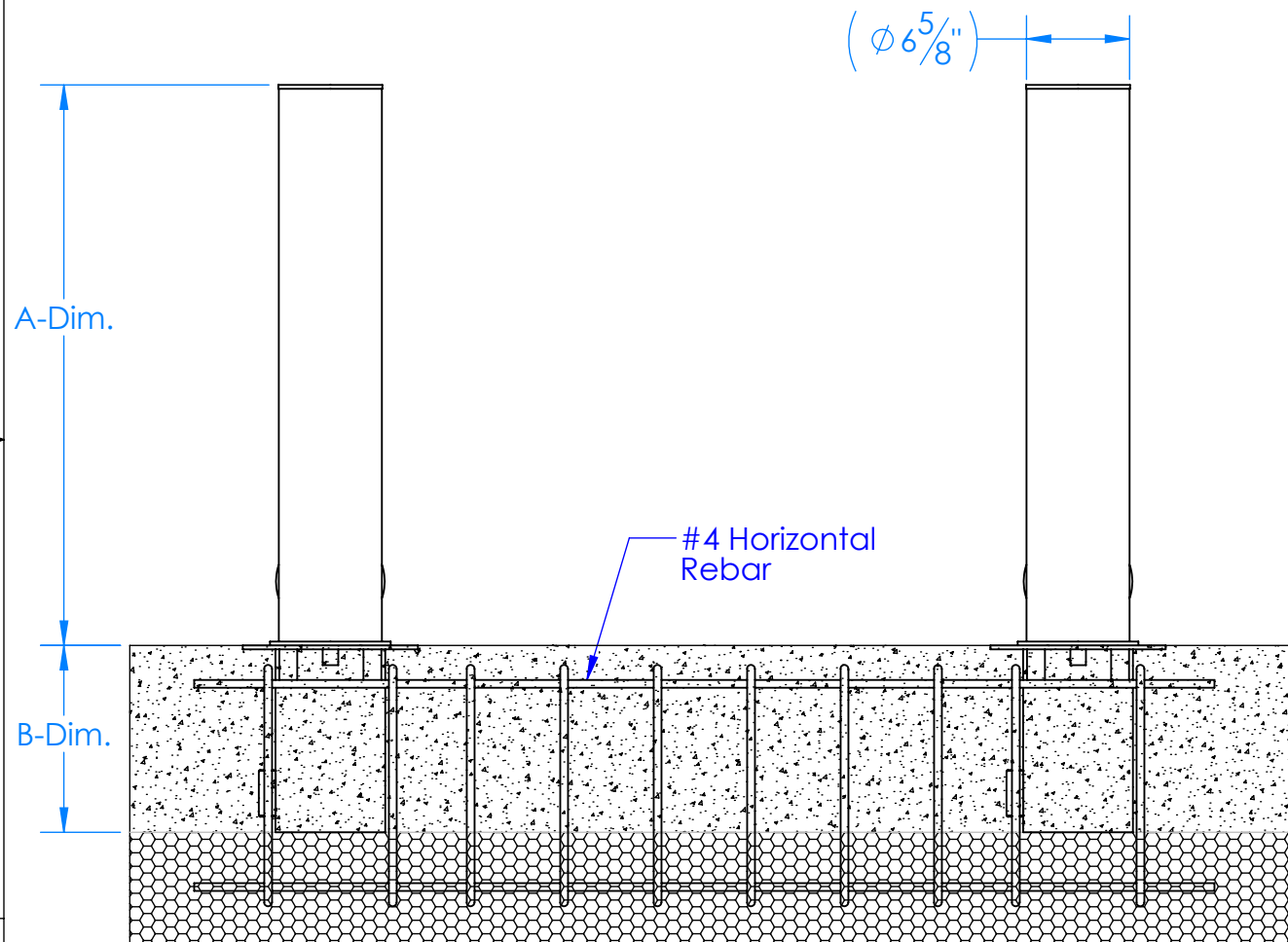
- Handle Qty. _____ Height _____
- Chain Eye Qty. _____ Height _____

Finish:

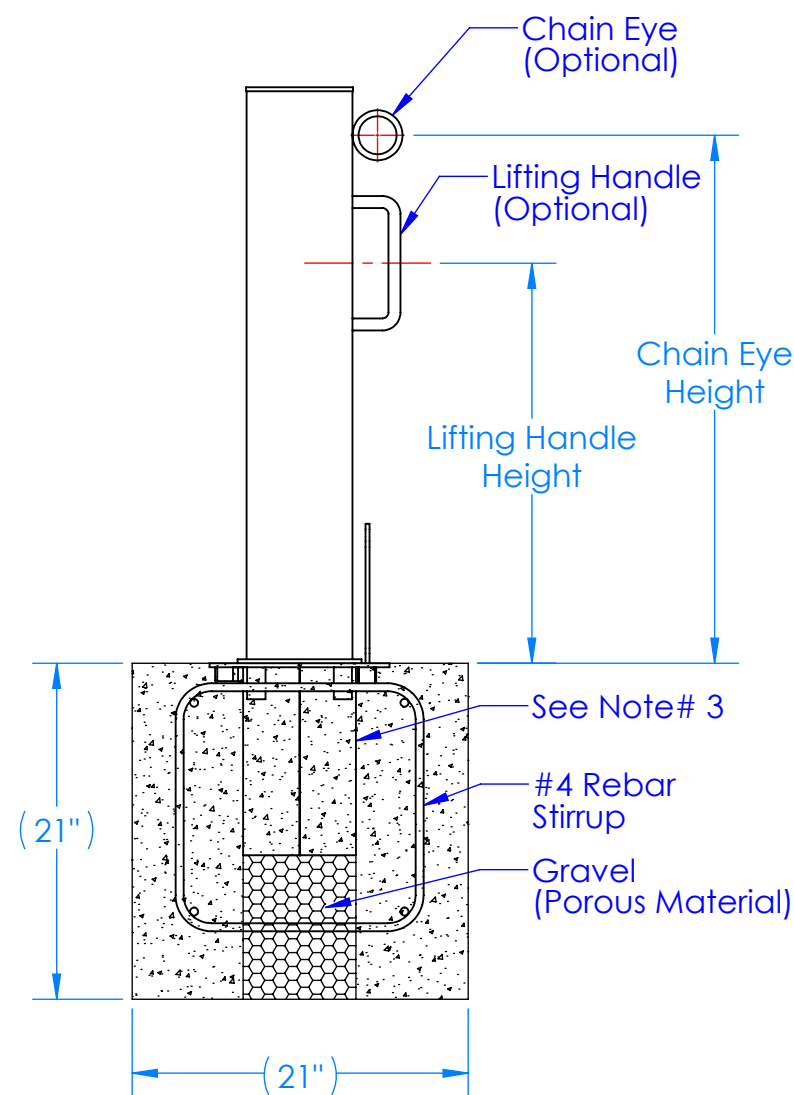
- Powder Coat RAL# _____
- Other: _____

Please Specify the Following Dimensions:

A-Dim. _____ (Std. 36")
 B-Dim. _____ (Std. 12")



Elevation View



Side Elevation View

Company: _____

Project Name: _____

Signee's Name Written Clearly: _____ Date: _____

Authorized Signature: _____

SIZE B	DRAWN BY: JMG	REV :
	DRAWN DATE: 11/9/16	SHEET :



19440 S. DOMINGUEZ HILLS DR.
 RANCHO DOMIGUEZ, CA. 90220,USA

www.CalPipeBollards.com
 562.803.4388 Direct
 310.885.1899 Fax

PROPRIETARY AND CONFIDENTIAL
 THE INFORMATION CONTAINED IN THIS DRAWING IS THE SOLE PROPERTY OF CALPIPE INDUSTRIES INC. ANY REPRODUCTION IN PART OR AS A WHOLE WITHOUT THE WRITTEN PERMISSION OF CALPIPE INDUSTRIES INC. IS PROHIBITED

UNLESS OTHERWISE SPECIFIED:
 DIMENSIONS ARE IN INCHES
 TOLERANCES:
 FRACTIONAL ± 1/4
 ANGULAR: MACH ±1 BEND ±1
 TWO PLACE DECIMAL THREE ±.010
 PLACE DECIMAL ±.005

IBP06XXX
6" PADLOCKING REMOVABLE BOLLARD