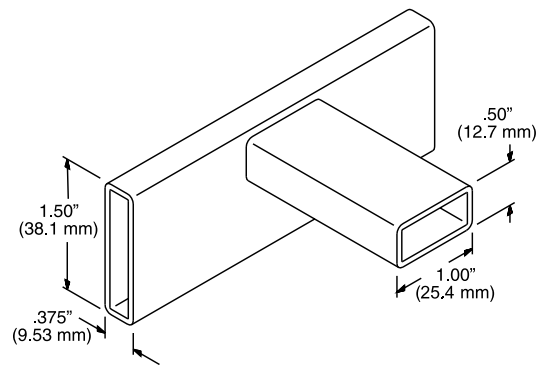
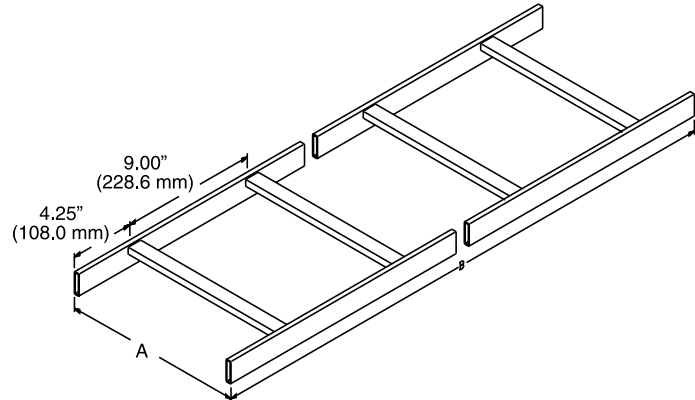


# TELCO-Style Cable Runway

Similar in construction to our UL Classified Cable Runway (11275 Series).

The side stringers are 1 1/2" x 3/8" x .065" (38 mm x 9.53 mm x 1.65 mm) and the cross members are 1/2" x 1" x .065" (12.7 mm x 30 mm x 1.65 mm) welded at 9" (230 mm) intervals. With the runway supported every 5' (1.5 m), maximum load with minimal deflection is 132 lb/ft (196 kg/m).

- The overall length is 9' 8-1/2" 116.5" (2959 mm) or 4' 5-1/2" /53.5" (1359 mm) to comply with TELCO-Style standards
- Individually boxed to prevent scratching and damage
- Installation Best Practices includes Runway Elevation Kit



## ORDERING INFORMATION

Part Number	Width (Dim. A) in (mm)	Length (Dim. B) in (mm)
11252-X06	6 (150)	9' 8-1/2 (2959)
11252-X09	9 (230)	9' 8-1/2 (2959)
11252-X10	10 (250)	9' 8-1/2 (2959)
11252-X12	12 (300)	9' 8-1/2 (2959)
11252-X13	12 (300)	4' 5-1/2 (1359)
11252-X15	15 (380)	9' 8-1/2 (2959)
11252-X18	18 (460)	9' 8-1/2 (2959)
11252-X20	20 (510)	9' 8-1/2 (2959)

X=color: 1=Gray, 2=Computer Beige, 7=Black, E=Glacier White.

### United States

Agoura Hills, CA  
800-834-4969

### Canada

Toronto, Ontario, Canada  
+905-850-7770

### Europe

Buckinghamshire, UK  
+441628524834

### Middle East & Africa

Dubai, UAE  
+971-4-2602125

Doha, Qatar  
+974-4-267422

### Latin America

+52-55-5203-7525  
Toll Free within Mexico  
800-201-7592  
chatsworth.com.co

### Asia Pacific

+86 21 6880-0266  
chatsworth.com.cn



CHATSWORTH  
PRODUCTS

# Cable Runway Load-Span Table

Maximum load with minimal deflection is 132 lb/ft when the runway is supported every 5'.

**Load-Span Table, CPI Cable Runway**

Safety Factor	Span (ft)	4	5	6	7	8	9
1.5	Maximum Load (lb/ft)	206	132	92	67	52	41
	Deflection (in)	0.41	0.64	0.92	1.25	1.62	2.03
2.0	Maximum Load (lb/ft)	154	99	69	50	39	31
	Deflection (in)	0.31	0.48	0.68	0.93	1.21	1.531
	K factor	0.002	0.005	0.010	0.019	0.032	0.050

*CPI recommends supporting cable runway runs every 5 feet.*

To calculate deflection for loads lighter than maximum loads listed in table, multiply load for which deflection is desired by K factor listed in table for cable runway support span utilized.

Example: To calculate maximum deflection using a safety factor of 1.5 for a length of cable runway supported every 5' and loaded with 80 pounds per foot:

$$\text{Deflection} = (80) (0.005) = 0.40''$$

*NOTE: CPI 10250, 11252, 11275 and 14300 cable runway systems are listed under UL E138966 and tested to the requirements in the Standard for Safety for Metal Cable Tray Systems, NEMA VE 1-2009 and ANSI/NFPA 70.*

#### United States

Agoura Hills, CA  
800-834-4969

#### Canada

Toronto, Ontario, Canada  
+905-850-7770

#### Europe

Buckinghamshire, UK  
+441628524834

#### Middle East & Africa

Dubai, UAE  
+971-4-2602125

Doha, Qatar  
+974-4-267422

#### Latin America

+52-55-5203-7525  
Toll Free within Mexico  
800-201-7592  
chatsworth.com.co

#### Asia Pacific

+86 21 6880-0266  
chatsworth.com.cn



CHATSWORTH  
PRODUCTS