

CICP2800RS485BD RS-485 Repeater Board Wiring Instructions

The **CICP2800RS485BD RS-485 Repeater Board** allows communication between a host computer and Accelaterms that do not have access to the network via the CICP18ACCNETBD. Multiple Accelaterms can be connected downstream through the 4-wire RS485 bus, as shown in the wiring diagram. See next page for CICP2800RS485BD installation instructions.

A "Bridge Accelaterm" with access to the network must be configured as a "Bridge" using the shunt option ("Bridge" vs. "STD") located on the CICP2800IFPSLD Accelaterm interface PC board.

Wiring is critical; when used as the "Bridge" (mounted on the Accelaterm and configured as "Bridge") only the bottom four terminals...

- Bridge Out Receive +
- Bridge Out Receive -
- Bridge Out Transmit +
- Bridge Out Transmit -

...are wired to the first downstream Accelaterm top four terminals respectively:

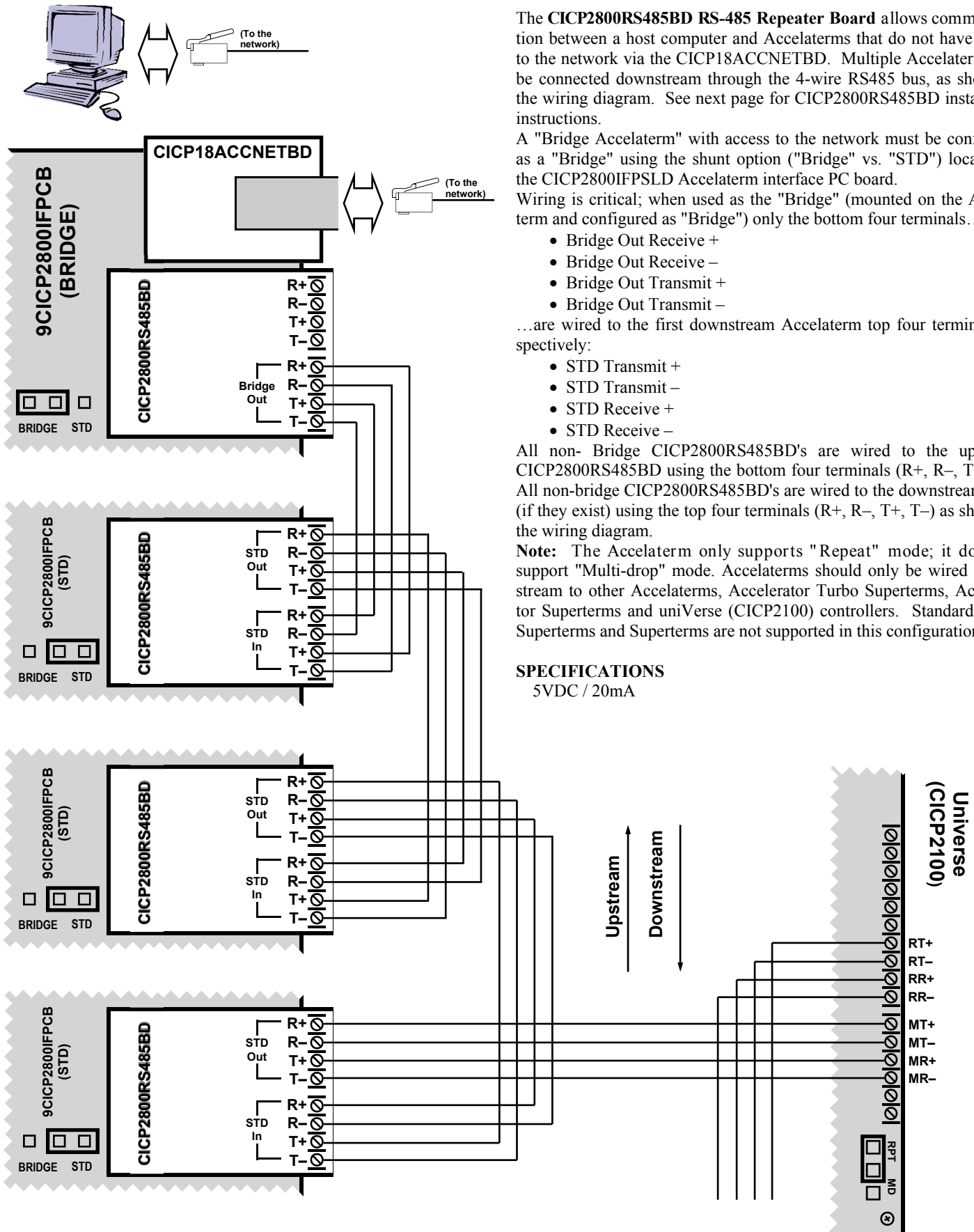
- STD Transmit +
- STD Transmit -
- STD Receive +
- STD Receive -

All non- Bridge CICP2800RS485BD's are wired to the upstream CICP2800RS485BD using the bottom four terminals (R+, R-, T+, T-). All non-bridge CICP2800RS485BD's are wired to the downstream units (if they exist) using the top four terminals (R+, R-, T+, T-) as shown in the wiring diagram.

Note: The Accelaterm only supports "Repeat" mode; it does not support "Multi-drop" mode. Accelaterms should only be wired Downstream to other Accelaterms, Accelerator Turbo Superterms, Accelerator Superterms and uniVerse (CICP2100) controllers. Standard Turbo Superterms and Superterms are not supported in this configuration.

SPECIFICATIONS

5VDC / 20mA



INSTALLATION

The **CICP2800RS485BD RS-485 Repeater Board** is mounted into the Accelaterm Interface board (see the Accelaterm installation instructions WI1989 for more information regarding the Interface board installation).



Prior to opening the Repeater board package or touching anything inside the control panel enclosure, discharge any static electricity from your body or clothing. Use a grounded wrist strap or touch an unpainted, grounded metal object such as the metal frame of the panel enclosure.

INSTALLATION PROCEDURE

1. Before installation, verify that the Accelaterm control panel is working correctly.
2. Disconnect power to the system, including the battery wires.
3. Install Standoffs: The Repeater board is mounted in the top right corner of the Accelaterm Interface board (see Fig. 2).

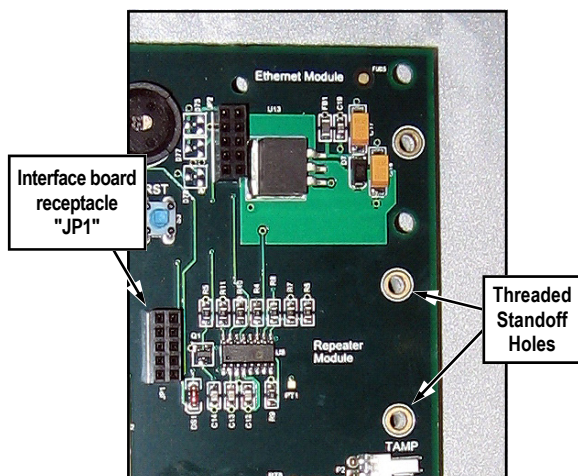


Fig. 2: Repeater Board Installation location, and Standoff Holes. Receptacle "JP1" also shown.

Screw in two metal standoffs (provided) into the two threaded standoff holes in the Interface PC board as shown in Fig. 3.

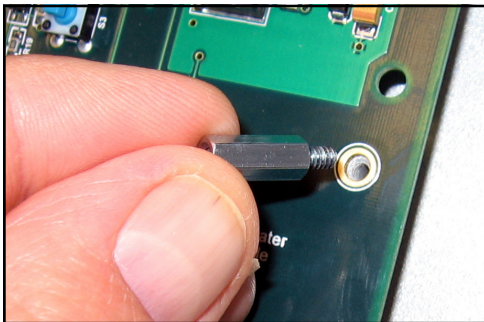


Fig. 3: Insert two metal standoffs into threaded holes.

4. Align the Repeater board plug with the Interface board receptacle "JP1" as shown in Fig. 4 below.

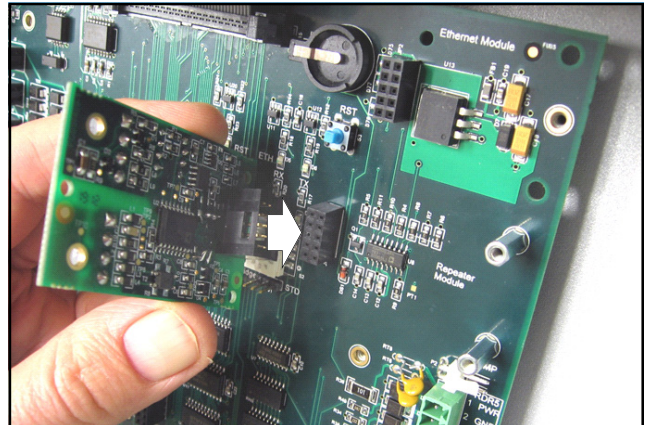


Fig. 4: Align the Repeater board plug with Interface board receptacle "JP1".

Insert the board: With both standoffs and the plug aligned, and the Repeater board surface parallel to the surface of the Interface board, firmly push the Repeater board into the Accelaterm Interface board.

5. As shown in Fig. 5, insert two small screws into the two metal threaded standoffs noted in Fig. 3 and tighten to secure the Repeater board. Do not over-tighten the screws.

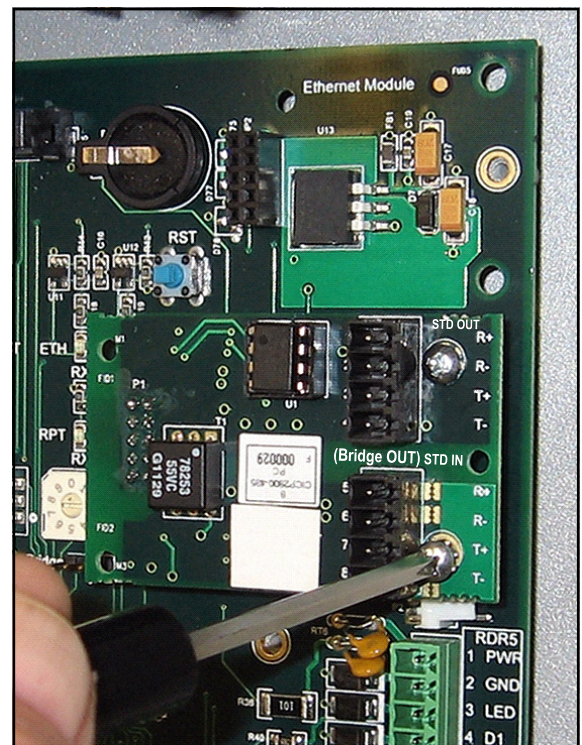


Fig. 5: Secure the Repeater board with two screws.

9. Re-connect power to the system, including the battery wires.