

12 VDC, 3 A Power Adapter



The compact size, lightweight 12VDC 3AMP Power Supply a visual indicator when power is present. It has a full power efficiency at -30° C to +70° F (-22° F to 158° F). It features accurate over-current and over-voltage protection and surge protection. It has a soft-start current, reducing the AC input impact effectively.

- Visual Indicator when Power Present
- Full Power Efficiency at -30 °C to +70 °F (-22 °F to 158 °F)
- Accurate Over-current and Over-voltage Protection
- Surge Protection

Technical Specification

Electrical

Input	100 VAC to 240 VAC, 50/60 Hz, 0.5 A
Output	12 VDC (+7%, -3%), 3 A (±2%)

Protection

Protections	Surge, Over-temperature, Over-current, Voltage Load
ESD	EN61000-4-2 ±4 kV Contact; ±8 kV Air
Surge	EN61000-4-5
Combination Wave	Common Mode: ±4 kV (12 Ω); Differential Mode: ±2 kV (2 Ω)

Environmental

Operating Temperature	-30 °C to +70° F (-22 °F to 158 °F)
Operating Humidity	95%, Relative

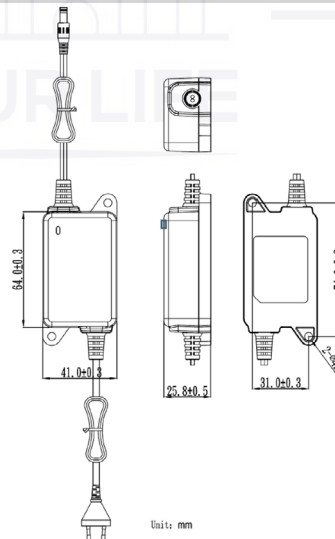
Physical Properties

Weight	150.0 g (0.33 lb)
Dimensions (L x W x H)	84.0 mm x 41.0 mm x 26.0 mm (3.31 in. x 1.61 in. x 1.02 in.)
Installation Mode	Plane Installation
Color	Black
Input Plug	2-pin North American Plug
Cord Lengths	AC Cord: 500.0 mm (19.69 in.) DC Cord: 800.0 mm (31.50 in.)
DC Plug	∅5.50 mm x ∅2.10 mm x 12.0 mm (∅0.22 in. x ∅0.08 in. x 0.47 in.)

Certifications

CE, FCC, UL-VI

Dimensions (mm)



Unit: mm

Distributed By
 Collsam Distributions; Inc.
 Sales: (951) 282-8707 sales@Collsam.com
 Support: (213) 210-5744 support@Collsam.com
 Website: www.Collsam.com

