

NDAA/TAA
COMPLIANT PRODUCT



- 2-20TB**
 2-20TB Storage
- 180Mbps**
 180Mbps Throughput
- Windows 10 & Linux Ubuntu OS**
- 2x**
 Two NIC Cards
- 12th Gen. i3**
 Intel Processor
- 5 YEAR**
 Limited Warranty

Summary

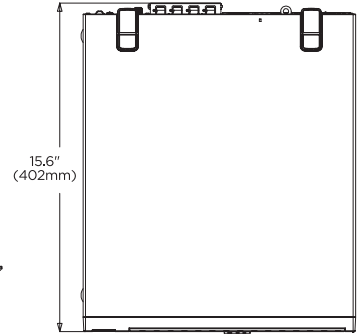
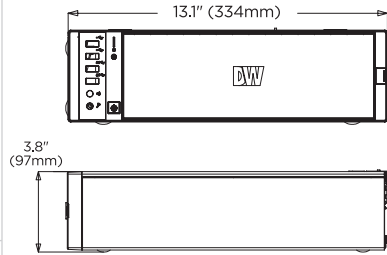
Blackjack[®] DX[™] slim desktop servers are reliable and high-performance solutions for viewing, monitoring and recording multiple IP cameras of any resolution at up to 180Mbps throughput. The servers are NDAA and TAA compliant and include Windows 10[®] or Linux[®] Ubuntu[®] OS on a separate SSD. Hardware features include an Intel[®] processor, dual network cards and local true HD and DisplayPort outputs up to 4K resolution. The servers come pre-loaded with DW Spectrum[®] IPVMS and four complimentary recording licenses, provide up to 20TB internal storage, are ONVIF conformant and come with a 5-year limited warranty.

Features

- Supports all ONVIF conformant IP cameras
- Storage options 4-20TB internal storage
- Record and manage single- and multi-sensor IP cameras of any resolution up to 180Mbps throughput
- Intel[®] processor
- True HD, DVI-D and D-Sub, 1 display output at a time
- Dual network ports
- Windows 10[®] or Linux[®] Ubuntu[®] on separate SSD
- Hosting DW Spectrum[®] for setup, configuration, monitoring and recording
- One-time recording license charge, fully transferable between cameras and encoders
- One (1) 4-channel license included (DW-SPECTRUMLSC004).
- No annual maintenance fees
- Simple enterprise scalability and auto device discovery
- Dual stream recording
- USB mouse and keyboard included
- Designed, assembled and tested in the U.S.A.
- NDAA/TAA compliant
- 5 Years limited warranty

Dimensions

Unit: inch (mm)



Specifications



DESCRIPTION		Blackjack DX
Included IP licenses		4
Form factor		Slim Desktop
Operating system	Windows [®] 10	DW-BJDX31XXT
	Linux Ubuntu [®]	DW-BJDX31XXT-LX
	OS on SSD	m.2 SSD
CPU		Intel [®] i3 processor
Memory		8GB
Ethernet port		2x 1G Ethernet ports (RJ45)
System	Max video storage rate (Mbps)	180 Mbps
	Maximum HDD	2 x 3.5 SATA HDD
Storage	Maximum storage	20TB
	Outputs	1x true HD, 1x DVI-D, 1x D-Sub for system configuration. Maximum 1 display output at a time.
Video-out	Video card	Onboard Intel HD Graphics
	Resolution	True HD: 4096x2160@60Hz, DVI-D: 1920x1200@60Hz, D-Sub: 1920x1200@60Hz
Pre-loaded VMS software		DW Spectrum [®] IPVMS Server
Remote clients		Cross-platform - Windows [®] , Linux Ubuntu [®] and Mac [®]
Mobile apps		iOS [®] and Android [®]
Keyboard and mouse		Included
Power supply		300W**
Operating temperature		41°F-104°F (5°C-40°C)
Operating humidity		20-90% RH
Dimension (WxDxH)		13.1" x 3.8" x 15.6" (334 x 97 x 402 mm)
Other certification		NDAA, TAA
Warranty		5 year limited

* Available at time of initial order only.
** UPS Recommended.

Designed and Commissioned in the U.S.A.

Available models continued on page 2.

Part number

- DW-BJDX3104T – 4TB internal storage, Windows 10 OS
- DW-BJDX3108T – 8TB internal storage, Windows 10 OS
- DW-BJDX3112T – 12TB internal storage, Windows 10 OS
- DW-BJDX3116T – 16TB internal storage, Windows 10 OS
- DW-BJDX3120T – 20TB internal storage, Windows 10 OS
- DW-BJDX3104T-LX – 4TB internal storage, Linux Ubuntu OS
- DW-BJDX3108T-LX – 8TB internal storage, Linux Ubuntu OS
- DW-BJDX3112T-LX – 12TB internal storage, Linux Ubuntu OS
- DW-BJDX3116T-LX – 16TB internal storage, Linux Ubuntu OS
- DW-BJDX3120T-LX – 20TB internal storage, Linux Ubuntu OS