

Blackjack® P-RACK™

Servers Powered by DW Spectrum® IPVMS

1U 4-bay chassis server
DW-BJP1UxT / DW-BJP1UxT-LX

NDA/TAA
COMPLIANT PRODUCTS



- 16-48TB Storage
- 360Mbps Throughput
- HD Output
- 2x NIC Cards
- IPVMS
- 5 YEAR Limited Warranty

Summary

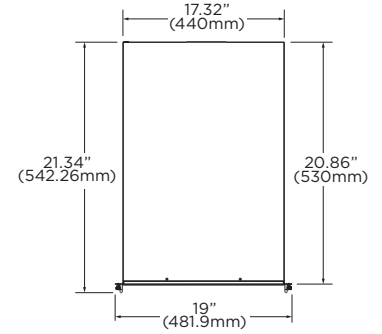
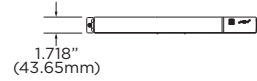
Blackjack® P-Rack™ servers are NDA and TAA compliant and can record and manage single- and multi-sensor IP cameras of any resolution with a maximum of 360Mbps throughput. Standard features include Intel® i5®, Windows® 10 IoT or Linux® Ubuntu® 18.04 LTS OS on separate SSD and 2x NIC cards. Blackjack P-Rack servers come preloaded with the DW Spectrum® IPVMS suite, can be configured with 16-48TB recording storage and come with our 5 year limited warranty.

Features

- Supports All ONVIF conformant IP cameras
- Storage options 16-48TB internal storage
- Record and manage single- and multi-sensor IP cameras of any resolution up to 360Mbps throughput
- True HD and DVI outputs ports
- Windows 10 IoT or Linux Ubuntu 18.04 LTS OS on separate SSD
- Hosting DW Spectrum IPVMS for setup, configuration, monitoring and recording
- One-time recording license charge, fully transferable between cameras and encoders
- One (1) DW Spectrum IPVMS 4-channel licenses included (DW-SPECTRUMLSC004)
- No annual maintenance fees
- Simple enterprise scalability
- Auto device discovery
- Dual stream recording
- Rail kit Included
- USB mouse and keyboard included
- Designed, assembled and tested in the U.S.A.
- NDA/TAA compliant
- 5 year limited warranty

Dimensions

Unit: inch (mm)



Specifications



MODEL	DW-BJP1UxT / DW-BJP1UxT-LX	
Maximum IP cameras	64	
Included IP licenses	4	
Form factor	1U rack mount	
Operating system		Windows 10 IoT (DW-BJP1UxT) Linux Ubuntu 18.04 LTS (DW-BJP1UxT-LX)
	OS on SSD	Yes
CPU	Intel i5 processor	
	Option: DW-CPUi7 - upgrade processor to i7*	
Memory	16GB	
Network card	2x gigabit Ethernet (RJ45)	
System	Max video storage rate (Mbps)	360 Mbps
	Maximum HDDs	3 x SATA HDD
Storage	Maximum storage	48TB
	Outputs	True HD output or VGA or DVI
Video-out	Video card	GeForce 210 512MB Option: DW-RV4H - 4 head HD video card*
	Resolution	HD 1080p
	Preloaded VMS software	DW Spectrum IPVMS
Unlimited remote clients	Cross platform - Windows, Linux and Mac®	
Mobile apps	iOS® and Android®	
Keyboard and mouse	Included	
Rail kit	Included	
Power	300W**	
Voltage	AC input: 100-240V 47-63Hz 4.5-2A	
	DC output: 300W + 5V 18A +12V 24A +3.3V 0-17A -12V 0-0.3A +5VSB 0-2.5A +5V and +3.3V total Max: 120W	
Operating temperature	41°F-104°F (5°C-40°C)	
Operating humidity	20-90% RH	
Dimension (WxDxH)	17.32" x 20.86" x 1.718" (440 x 530 x 43.65 mm)	
Warranty	5 year limited	

* Available at time of initial order only.

** UPS Recommended.

Designed and Commissioned in the U.S.A.

Available models continued on page 2.



Increase sales and profitability. Sign up and become a DW Channel Partner today!



Available Models

Windows[®] OS

- DW-BJP1U16T - 16TB storage
- DW-BJP1U32T - 32TB storage
- DW-BJP1U48T - 48TB storage

Linux[®] Linux[®] OS

- DW-BJP1U16T-LX - 16TB storage
- DW-BJP1U32T-LX - 32TB storage
- DW-BJP1U48T-LX - 48TB storage



Increase sales and profitability. Sign up and become a DW Channel Partner today!

