

Blackjack[®] P-RACK[™]

Servers Powered by DW Spectrum[®] IPVMS

2U 8-bay chassis server
DW-BJP2UxT / DW-BJP2UxT-LX

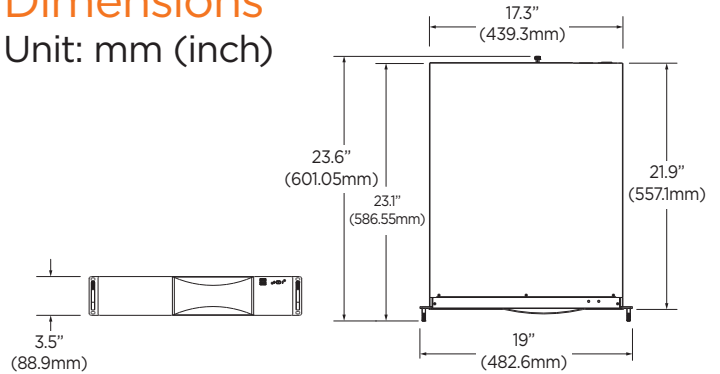
NDAA/TAA
COMPLIANT PRODUCTS



- 32-112TB Storage
- 600Mbps Throughput
- HD Output
- 2x NIC Cards
- IPVMS
- 5 YEAR Limited Warranty

Dimensions

Unit: mm (inch)



Summary

Blackjack[®] P-Rack[™] servers are NDAA and TAA compliant and can record and manage single- and multi-sensor IP cameras of any resolution with a maximum of 600Mbps throughput. Standard features include Intel[®] i7[®], Windows[®] 10 IoT or Linux[®] Ubuntu[®] 18.04 LTS OS on separate SSD and 2x NIC cards. Blackjack P-Rack servers come preloaded with the DW Spectrum[®] IPVMS suite, can be configured with 32-112TB recording storage and come with our 5 year limited warranty.

Features

- Supports All ONVIF conformant IP cameras
- Storage options 32-112TB internal storage
- Record and manage single- and multi-sensor IP cameras of any resolution up to 600Mbps throughput
- True HD and DVI outputs ports
- Windows 10 IoT or Linux Ubuntu 18.04 LTS OS on separate SSD
- Hosting DW Spectrum IPVMS for setup, configuration, monitoring and recording
- One-time recording license charge, fully transferable between cameras and encoders
- One (1) DW Spectrum IPVMS 4-channel licenses included (DW-SPECTRUMLSCO04)
- No annual maintenance fees
- Simple enterprise scalability
- Auto device discovery
- Dual stream recording
- Rail kit included
- USB mouse and keyboard included
- Designed, assembled and tested in the U.S.A.
- NDAA/TAA compliant
- 5 year limited warranty

Specifications



| | | |
|--------------------------|---|---|
| MODEL | DW-BJP2UxT / DW-BJP2UxT-LX | |
| Maximum IP cameras | 128 | |
| Included IP licenses | 4 | |
| Form factor | 2U rack mount | |
| Operating system | | Windows [®] 10 IoT (DW-BJP2UxT) Linux Ubuntu [®] 18.04 LTS (DW-BJP2UxT-LX) |
| | OS on SSD | Yes |
| CPU | Intel i7 processor | |
| Memory | 16GB | |
| Network card | 2x gigabit Ethernet (RJ45) Option: DW-R4NIC - upgrade QUAD GB NIC card* | |
| System | Max video storage rate (Mbps) | 600 Mbps |
| | Maximum HDDs | 7 x HDD |
| Storage | Maximum storage | 112TB |
| | Outputs | True HD output or VGA or DVI |
| Video-out | Video card | GeForce 210 512MB Option: DW-RV4H - 4 head HD video card* |
| | Resolution | HD 1080p |
| Preloaded VMS software | DW Spectrum IPVMS | |
| Unlimited remote clients | Cross platform - Windows, Linux and Mac [®] | |
| Mobile apps | iOS [®] and Android [®] | |
| Keyboard and mouse | Included | |
| Rail kit | Included | |
| Power | 400W** | |
| Voltage | AC input: 100-240V 47-63Hz 6-3A | |
| | DC output: 400W + 5V 12A +12V 32A +3.3V 0-10A -12V 0-0.5A +5VSB 0-2.5A +5V and +3.3V total Max: 90W | |
| Operating temperature | 41°F-104°F (5°C-40°C) | |
| Operating humidity | 20-90% RH | |
| Dimension (WxDxH) | 17.32" x 26" x 3.5" (439.9 x 660.4 x 88.9 mm) | |
| Warranty | 5 year limited | |

* Available at time of initial order only.
** UPS Recommended.

Designed and Commissioned in the U.S.A. Available models continued on page 2.



Increase sales and profitability. Sign up and become a DW Channel Partner today!



☎ : 866.446.3595 ✉ : sales@digital-watchdog.com 🌐 : www.digital-watchdog.com



Available Models

Windows[®] OS

- DW-BJP2U32T - 32TB storage
- DW-BJP2U48T - 48TB storage
- DW-BJP2U64T - 64TB storage
- DW-BJP2U96T - 96TB storage
- DW-BJP2U112T - 112TB storage


Linux[®] Linux[®] OS

- DW-BJP2U32T-LX - 32TB storage
- DW-BJP2U48T-LX - 48TB storage
- DW-BJP2U64T-LX - 64TB storage
- DW-BJP2U96T-LX - 96TB storage
- DW-BJP2U112T-LX - 112TB storage



Increase sales and profitability. Sign up and become a DW Channel Partner today!



 : 866.446.3595



: sales@digital-watchdog.com



: www.digital-watchdog.com

