

BULLET CAMERA, WEATHER RESISTANT, NO FOG NO CONDENSATION DESIGN, IR LED, DAY AND NIGHT

Small Commercial, Residential, Transportation,
Education, Retail and C-Store



B3252DIR/Bullet Camera, Fixed Lens, IR LED, Electronic Day and Night, NEMA IP66

High quality and attractive style is what makes the B3252DIR Bullet Camera the perfect solution for many cost sensitive applications. The unit's compact size along with its unique mounting bracket makes installation as simple as possible. This model offers a Wide Angle Fixed Lens for general viewing applications, and our 1/3" Sony Super HAD CCD chip set offers sharp, clear images, which is why it is an easy choice for small security applications. When selecting a High Quality Weather Resistant Bullet Camera that must meet a value to cost ratio, choose the Digital Watchdog Camera series. Each model includes a Power Supply and a 5 Year Warranty.

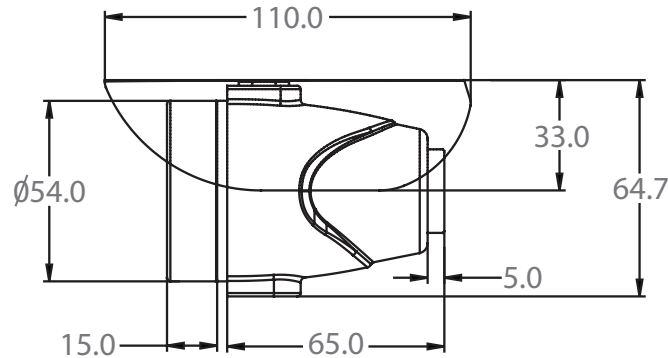


Electronic

1/3" Samsung CCD
 420 TV Lines
 3.6mm Fixed Lens
 AWB (Auto White Balance)
 Wide Operating Voltage (8VDC-18VDC)
 Low Power Consumption
 35 Foot Range Intelligent

Mechanical

Weatherproof
 Removable Sunshield



SPECIFICATIONS

Camera TYPE	Color/BW	Digital Bullet IR Camera
	Mount	Conventional Bracket
Image	Device	Samsung CCD
	Size	1/3"
	Pixels-Total	537(H) x 505(V)
	Pixels-Effective	510(H) x 492(V)
Scanning	System	525 line, 2:1 Interlace
	Horizontal Frequency Internal Mode	15,734Hz
	Vertical Frequency Internal Mode	59.94Hz
Min. Scene Illumination	IR-LED ON	0.0 Lux
Functions	IR	35 Foot or 35ft Range
Lens	Focal Length	3.6mm Fixed
Resolution	Horizontal	420 TV Lines
Video Output	VBS 1.0Vp-p	VBS 1.0Vp-p (75 Load)
S/N Ratio	S/N Ratio	48dB
OSD	OSD	NO
Environmental Conditions	Operating Temperature	-10°~+55° (14°~131°)
	Humidity	Less then 90%
Power	Power Requirement	12VDC
	Power Consumption	12VDC:[.75mA] IR ON:[.243mA]
Physical Specifications	Dimensions (L x H)	110 x 64.7mm
	NEMA Type	IP66
	Weight	0.4 lbs
Certifications	CE, FCC, RoHS	Certified