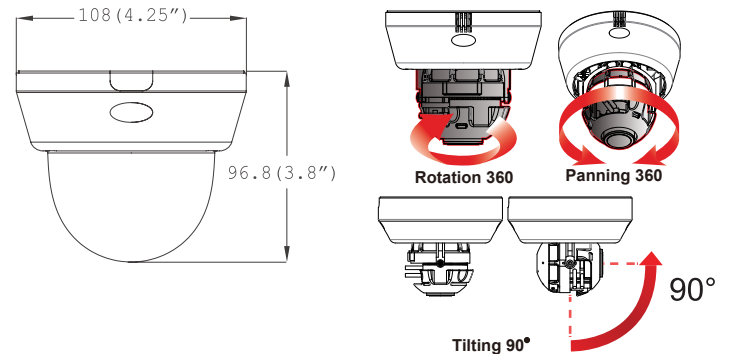
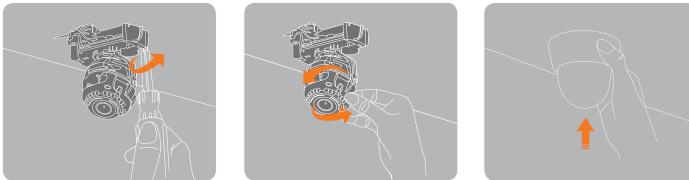




## Dimensions (unit : mm)



## Snapit Easy Installation 1 2 3



1 Two Screw Installation

2 Adjustment

3 Snap It

## Summary

Our Infinity 960H Series is a combination of our powerful Infinity DSP technology and a 960H CCD image sensor to achieve higher resolution and higher sensitivity than conventional CCTV cameras. Our Infinity DSP technology utilizes Star-Light, Electronic Wide Dynamic Range, and other great features to help produce a clear horizontal resolution of up to 700 TV lines.

## Features

- 960H CCD Image Sensor (960 Horizontal Pixels)
- 700 TV Lines [B/W], 650 TV Lines [Color]
- 3.3~12mm Varifocal Auto Iris Lens
- Electronic Day and Night
- EWDR (Electronic Wide Dynamic Range)
- 3D-DNR (3D Digital Noise Reduction)
- Star-Light (Super Low Light Technology)
- HME (Highlight Masking Exposure)
- Programmable Privacy Zones (6) & Motion Detection
- AGC / BLC / AWB
- Easy Icon Driven OSD Menu with Built-in Joystick
- Auto Sensing 24VAC/12VDC with Line Lock
- Secondary Video-BNC Output

## Accessories (Optional)



DWC-D1WM

Wall Mount for D1 & D4 Housing

## Specifications

VIDEO	
Image Sensor	960H CCD
Total Pixels	1020 (H) x 507 (V), 520K Pixels
Scanning System	2 : 1 Interlace
Frequency	15.734KHz (H), 59.95Hz (V)
Synchronization	Internal or Line Lock
Horizontal Resolution	700 TV Lines [B/W], 650 TV Lines [Color]
Minimum Illumination	F1.2 (30IRE): 0.3 Lux [Color] F1.2 (30IRE): 0.04 Lux [B/W]
S/N Ratio	50dB (AGC off)
Video Output	CVBS: 1.0Vp-p / 75 Ω
LENS	
Focal Length	3.3-12mm
Lens Type	DC Auto Iris
OPERATIONAL	
Shutter Speed	MANUAL / 1/60s-1/1000000s
Backlight	OFF / BLC / HME / EWDR
AGC	OFF / LOW / MID / HIGH
Star-Light	OFF / X2-X256
3D-DNR	OFF / LOW / MID / HIGH
White Balance	AWC / ATW / MANUAL / PUSH
Day and Night	AUTO / COLOR / BW
Mirror	OFF / MIRROR
Sharpness	000-025
Gamma	MANUAL / 0.45 / 0.60 / 1.00
Motion Detection	OFF / ON
Privacy Zones	OFF / ON (6 Programmable Zones)
Title	ON / OFF (Up to 16 Characters)
Language	ENGLISH / CHINESE
ENVIRONMENTAL	
Operating Temperature	-10°C ~ 55°C (14°F ~ 131°F)
Operating Humidity	Less than 90% (Non-Condensing)
Storage Temperature	-20°C ~ 70°C (-4°F ~ 158°F)
ELECTRICAL	
Power Requirement	Dual (DC12V & AC24V)
Power Consumption	DC12V: 2.2W, 183mA AC24V: 2.3W, 95.8mA
MECHANICAL	
Housing Material	Plastic
Dome Cover Material	Polycarbonate
Dimensions	∅108 X 96.8 mm (∅4.25 X 3.8 in)
Weight	0.529 lbs

\*Specification is subject to change without prior notice.