



2.1 Megapixel Universal HD / Analog STAR-LIGHT™ WDR IP66 Rated **5 YEAR** Warranty

Summary

STAR-LIGHT™ 2.1MP Universal HD over COAX® cameras deliver crystal-clear images and support real-time 30fps HD-Analog, HD-TVI, HD-CVI and all analog signals to 960H. The micro dome vandal resistant cameras are IP66 rated and includes color ring accessories to match any application. STAR-LIGHT™ Universal HD over COAX® cameras are engineered to work with our VMAX A1™ Universal HD over COAX® DVRs using your existing coax infrastructure for a cost-effective, high resolution surveillance solution.

Features

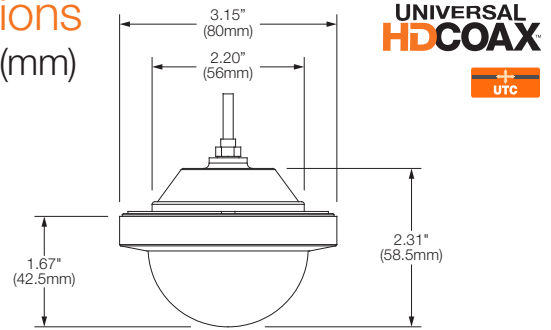
- Universal HD over Coax® Technology with HD-Analog, HD-TVI, HD-CVI and all Analog to 960H Signal Support
- STAR-LIGHT™ Super Low Light Technology
- 2.1MP 1/3" Image Sensor at Real-time 30fps
- 3.6mm Fixed Lens
- True Wide Dynamic Range (WDR)
- OSD Control Via Coaxial (UTC)
- 50' Smart IR™ with Intelligent Camera Sync.
- Smart DNR™ 3D Digital Noise Reduction
- True Day/Night Mechanical IR Cut Filter
- De-Fog™ Extreme Weather Image Compensation
- Highlight Masking Exposure (HME)
- Easy Icon Driven OSD Menu with Built-in Joystick
- Programmable Privacy Zones
- Auto Gain Control (AGC)
- Backlight Compensation (BLC)
- Dynamic Range Compressor (DRC) Reveals Low Light Detail
- Auto White Balance (AWB)
- IP66 Certified Weather and Tamper Resistant
- IK-10 Impact Rated
- 5 Year Warranty

Accessories (Optional)



Dimensions

unit: Inch (mm)



Specifications

IMAGE	
Image Sensor	2.1MP 1/3" CMOS Sensor
Active Pixels	1944 (H) x 1092 (V)
Scanning System	Progressive Scan
Frequency	60Hz / 50Hz
Video Output	HD-Analog, HD-TVI, HD-CVI 2.1MP 1080p CVBS Analog up to 960H
Synchronization	Internal
Resolution	1920x1080 (1080p)
Minimum Scene Illumination	F2.0 (30IRE): 0.06Lux (Color) F2.0 (30IRE): 0 Lux (B/W)
S/N Ratio	55dB
Signal Technology	Universal HD over Coax® Technology with HD-Analog, HD-TVI, HD-CVI and all Analog to 960H Signal Support
Alarm Output	1 Alarm Output
LENS	
Focal Length	3.6mm
Lens Type	Fixed Lens
IR Distance	50ft
OPERATIONAL	
Shutter Speed	1/30 – 1/30,000
Backlight	Off / On
STAR-LIGHT™ (Sense-up)	Off, x2 – x32
Wide Dynamic Range (WDR)	Off / On
Wide Dynamic Range dB	100dB
Smart DNR™ 3D Digital Noise Reduction	Off, Low, Middle, High
White Balance	Auto / Auto-Ex / Preset / Manual
Day and Night	Day / Night / Auto
Mirror / Flip	Yes
Auto Gain Control	Max 60dB
Motion Detection	Yes
Privacy Zones	16 Privacy Zones
Sharpness	0 ~ 10
Gamma	0.45 ~ 0.75
RS485 / UTP Built-in	PELCO D / PELCO C
ENVIRONMENTAL	
Operating Temperature	-4°F ~ 122°F (-20°C ~ 50°C)
Operating Humidity	Less than 90% (Non-Condensing)
IP Rating	IP66 Certified Weather and Tamper Resistant
IK Rating	IK10-Rated Impact Resistant
Other Certifications	FCC, CE, ROHS
ELECTRICAL	
Power Requirements	DC12V
Power Consumption	DC12V (LED OFF): 1.7W DC12V (LED ON): 2.9W
MECHANICAL	
Material	Aluminum
Dimensions	3.15 x 2.66 in (80 x 67.5mm)
Weight	0.56lbs