

# MEGApix® IVA™ 4K Bullet IP Camera

DWC-MVC8WiATW - IVA license pre-loaded,  
vari-focal lens

DWC-MVC8Wi28TW - IVA license pre-loaded,  
fixed lens

DWC-MPVC8WiATW - IVA+ license pre-loaded,  
vari-focal lens

DWC-MPVC8Wi28TW - IVA+ license pre-loaded,  
fixed lens



## *User's Manual* Ver. 07/21

Before installing and using the camera, please read this manual carefully.  
Be sure to keep it handy for future reference.

# Safety Information



## CAUTION

RISK OF ELECTRIC SHOCK.  
DO NOT OPEN.



## CAUTION :

TO REDUCE THE RISK OF ELECTRIC SHOCK, DO NOT REMOVE COVER (OR BACK) NO USER SERVICEABLE PARTS INSIDE.  
REFER SERVICING TO QUALIFIED SERVICE PERSONNEL.



### Warning

This symbol indicates that dangerous voltage consisting of a risk of electric shock is present within this unit.



### Precaution

This exclamation point symbol is intended to alert the user to the presence of important operating and maintenance (servicing) instructions in the literature accompanying the appliance.

## WARNING

To prevent damage which may result in fire or electric shock hazard, do not expose this appliance to rain or moisture.

## WARNING

1. Be sure to use only the standard adapter that is specified in the specification sheet. Using any other adapter could cause fire, electrical shock, or damage to the product.
2. Incorrectly connecting the power supply or replacing the battery may cause an explosion, fire, electric shock, or damage to the product.
3. Do not connect multiple cameras to a single adapter. Exceeding the capacity may cause excessive heat generation or fire.
4. Securely plug the power cord into the power receptacle. An insecure connection may cause fire.
5. When installing the camera, fasten it securely and firmly. A falling camera may cause personal injury.
6. Do not place conductive objects (e.g. screwdrivers, coins, metal items, etc.) or containers filled with water on top of the camera. Doing so may cause personal injury due to fire, electric shock, or falling objects.
7. Do not install the unit in humid, dusty, or sooty locations. Doing so may cause fire or electric shock.
8. If any unusual smells or smoke come from the unit, stop using the product. Immediately disconnect the power source and contact the service center. Continued use in such a condition may cause fire or electric shock.
9. If this product fails to operate normally, contact the nearest service center. Never disassemble or modify this product in any way.
10. When cleaning, do not spray water directly onto parts of the product. Doing so may cause fire or electric shock.

## Precaution

### Operating

- Before using, make sure the power supply and all other parts are properly connected.
- While operating, if any abnormal condition or malfunction is observed, stop using the camera immediately and contact your dealer.

### Handling

- Do not disassemble or tamper with parts inside the camera.
- Do not drop the camera or subject it to shock or vibration as this can damage the camera.
- Clean the clear dome cover with extra care. Scratches and dust can ruin the quality of the camera image.

### Installation and Storage

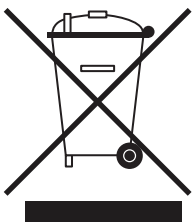
- Do not install the camera in areas of extreme temperature, exceeding the allowed range.
- Avoid installing in humid or dusty environments.
- Avoid installing in places where radiation is present.
- Avoid installing in places where there are strong magnetic fields and electric signals.
- Avoid installing in places where the camera would be subject to strong vibrations.
- Never expose the camera to rain or water.

# Important Safety Instructions

- 1. Read these Instructions.** - All these safety and operating instructions should be read before the product is installed or operated.
- 2. Keep these Instructions.** - The safety, operating and use instructions should be retained for future reference.
- 3. Heed all warnings.** - All warnings on the product and in the operating instructions should be adhered to.
- 4. Follow all instructions.** - All operating and use instructions should be followed.
- 5. Do not use this device near water.** - For example: near a bathtub, washbowl, kitchen sink, laundry tub, in a wet basement; near a swimming pool; etc.
- 6. Clean only with a dry cloth.** - Unplug this product from the wall outlet before cleaning. Do not use liquid cleaners.
- 7. Do not block any ventilation openings. Install following the manufacturer's instructions.** - Slots and openings in the cabinet are provided for ventilation, to ensure reliable operation of the product, and to protect it from overheating. The openings should never be blocked by placing the product on a bed, sofa, rug, or other similar surfaces. This product should not be placed in a built-in installation such as a bookcase or rack unless proper ventilation is provided and the manufacturer's instructions have been adhered to.
- 8. Do not install near any heat sources such as radiators, heat registers, or other apparatus (including amplifiers) that produce heat.**
- 9. Do not defeat the safety purpose of the polarized or grounding-type plug. A polarized plug has two blades with one wider than the other. A grounding type plug has two blades and a third grounding prong. The wide blade or the third prong are provided for your safety. If the provided plug does not fit into your outlet, consult an electrician for replacement of the obsolete outlet.**
- 10. Protect the power cord from being walked on or pinched particularly at plugs, convenience receptacles, and the point where they exit from the apparatus.**
- 11. Only use attachments/accessories specified by the manufacturer.**
- 12. Use only with cart, stand, tripod, bracket, or table specified by the manufacturer, or sold with the apparatus. When a cart is used, use caution when moving the cart/apparatus combination to avoid injury from tip-over.**
- 13. Unplug this apparatus during lightning storms or when unused for long periods.**
- 14. Refer all servicing to qualified service personnel. Servicing is required when the apparatus has been damaged in any way, such as power supply cord or plug is damaged, liquid has been spilled or objects have fallen into the apparatus, the apparatus has been exposed to rain or moisture, does not operate normally, or has been dropped.**



## Disposal of Old Appliances



1. When this crossed-out wheel bin symbol is attached to a product it means the product is covered by the European Directive 2002/96/EC.
2. All electrical and electronic products should be disposed of separately from the municipal waste stream per laws designated by the government or the local authorities.
3. The correct disposal of your old appliance will help prevent potential negative consequences for the environment and human health.
4. For more detailed information about disposal of your old appliance, please contact your city office, waste disposal service or the shop where you purchased the product.



This equipment has been tested and found to comply with the limits for a Class A digital device, pursuant to part 15 of the FCC Rules. These limits are designed to provide reasonable protection against harmful interference when the equipment is operated in a commercial environment.

This equipment generates, uses, and can radiate radio frequency energy and, if not installed and used in accordance with the instruction manual, may cause harmful interference to radio communications. Operation of this equipment in a residential area is likely to cause harmful interference in which case the user will be required to correct the interference at his own expense.

# Table of Contents

---

## Introduction

|                              |   |
|------------------------------|---|
| Product and Accessories..... | 4 |
| Parts Names.....             | 5 |

## Installation

|                                     |    |
|-------------------------------------|----|
| Moisture Absorber Installation..... | 6  |
| Factory Reset.....                  | 6  |
| Installation.....                   | 7  |
| Cabling.....                        | 8  |
| Managing the SD Card.....           | 10 |

## Network Setup

|                   |    |
|-------------------|----|
| DW IP Finder..... | 11 |
|-------------------|----|

## Web Viewer

|                          |    |
|--------------------------|----|
| Login to the Camera..... | 12 |
| GUI Overview.....        | 13 |

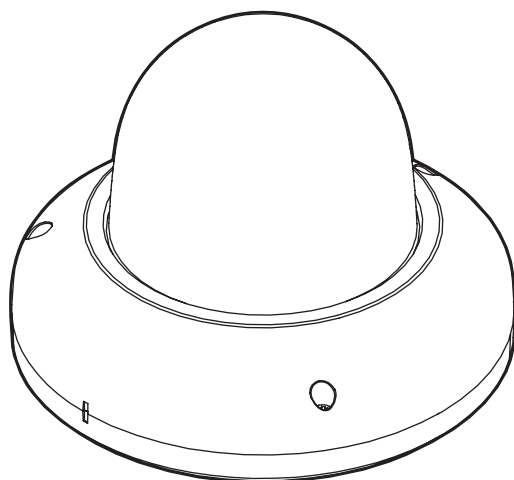
## Camera Settings

|   |    |
|---|----|
| Settings > Video and Audio Setup.....                     | 14 |
| Settings > Camera Setup > Image Adjustment.....           | 21 |
| Settings > Camera Setup > Exposure Settings.....          | 22 |
| Settings > Camera Setup > Day and Night Settings.....     | 23 |
| Settings > Camera Setup > Backlight Settings.....         | 24 |
| Settings > Camera Setup > White Balance Settings.....     | 25 |
| Settings > Camera Setup > Image Enhancement Settings..... | 26 |
| Settings > Camera Setup > Video Enhancement Settings..... | 27 |
| Settings > Network Setup.....                             | 28 |
| Settings > Trigger Action Setup.....                      | 38 |
| Settings > Event Setup.....                               | 42 |
| Settings > Record Setup.....                              | 47 |
| Settings > Security Setup.....                            | 53 |
| Settings > System Setup > System Information.....         | 60 |
| Settings > System Setup > Firmware.....                   | 62 |
| Settings > System Setup > Date and Time.....              | 63 |
| Settings > System Setup > DST.....                        | 64 |
| Settings > System Setup > Users.....                      | 65 |
| Settings > System Setup > System Log.....                 | 66 |
| Settings > System Setup > Factory Reset.....              | 67 |
| Settings > System Setup > Restart.....                    | 68 |
| Settings > System Setup > System Open Source License..... | 69 |
| Settings > System Setup > Plug-in.....                    | 70 |

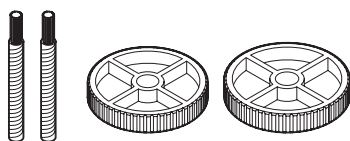
|                                   |           |
|-----------------------------------|-----------|
| <b>Appendix.....</b>              | <b>71</b> |
| <b>FAQs.....</b>                  | <b>78</b> |
| <b>Dimensions.....</b>            | <b>79</b> |
| <b>Specifications.....</b>        | <b>80</b> |
| <b>Warranty.....</b>              | <b>81</b> |
| <b>Limits and Exclusions.....</b> | <b>82</b> |

# Introduction - Product & Accessories

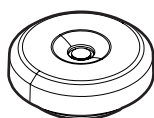
---



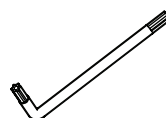
Camera



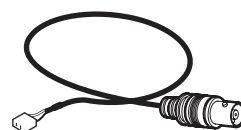
Mount Bolt and  
Nuts



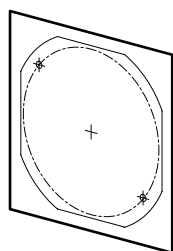
Grommet



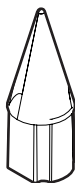
Hexagonal Wrench



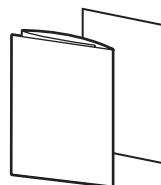
Test Monitor Cable



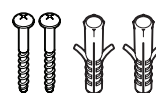
Mounting Template



RJ-45 Cap Installer



Quick Setup and  
Download Guide



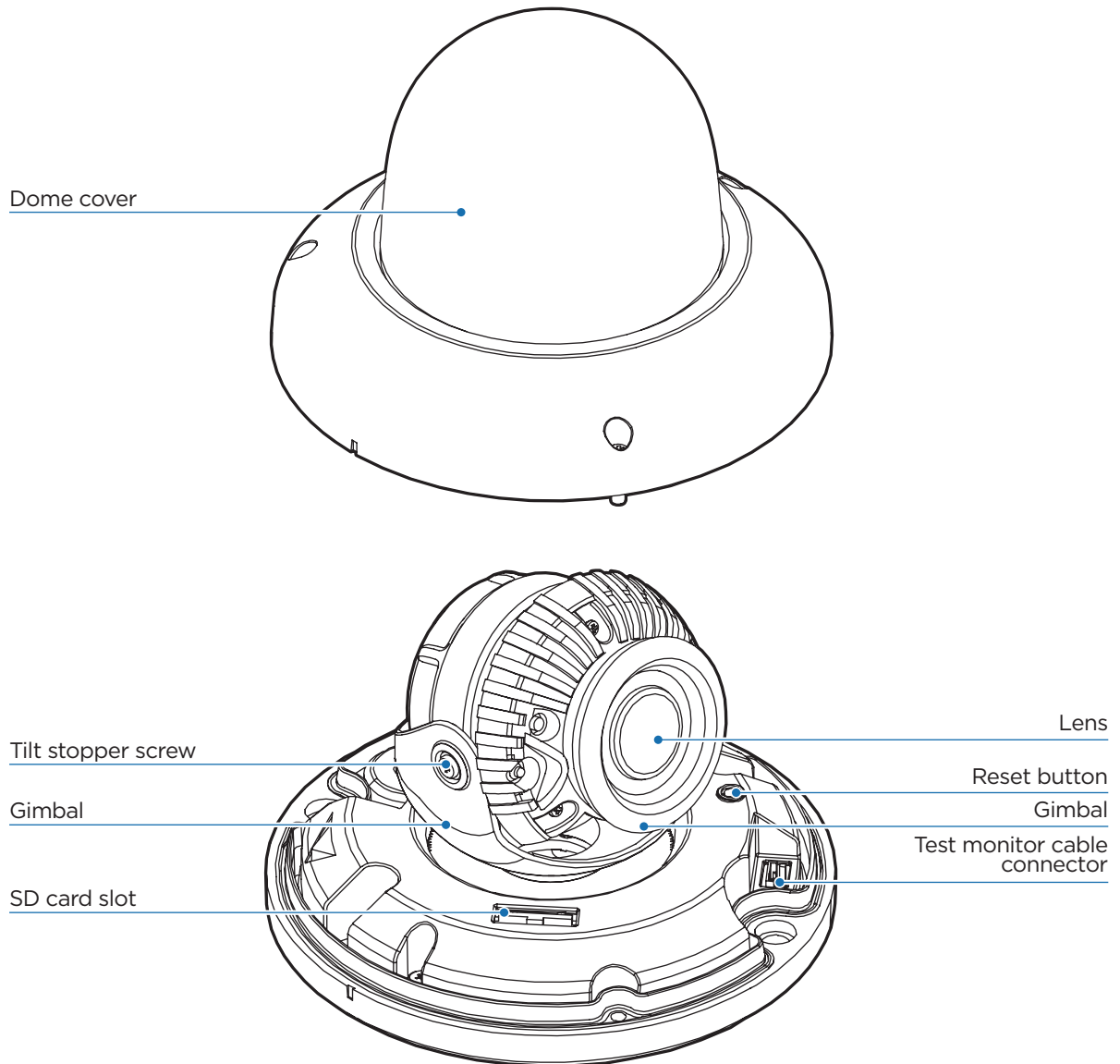
Screws and  
Plastic Anchors - 2pcs



Moisture Absorber  
and Installation Card

# Introduction - Part Name

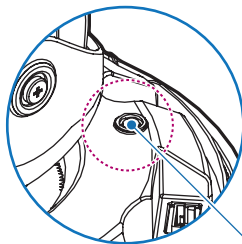
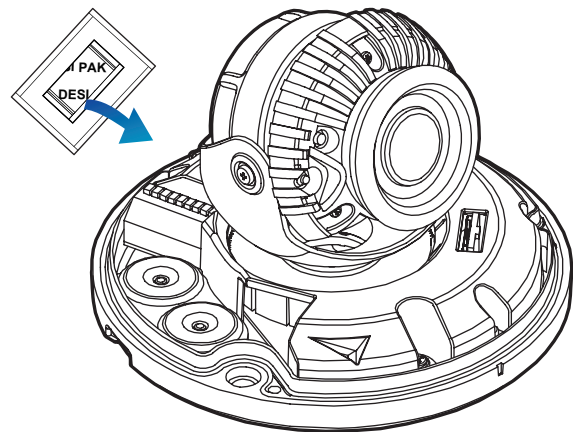
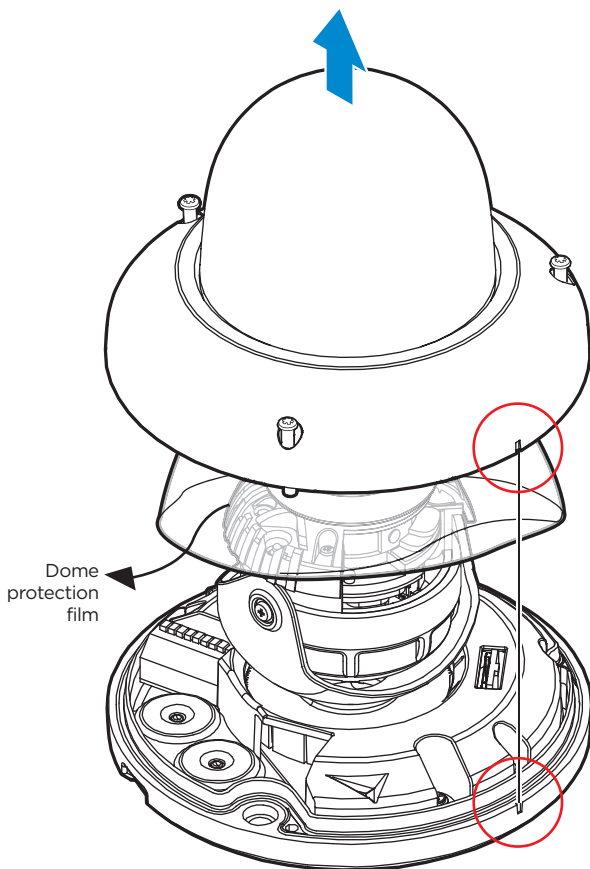
---



# Installation - Disassemble the camera

## Before installing your camera, you have to read the following cautions.

1. The mounting surface must withstand five times the camera weight.
2. Do not let the cables get caught in improper places or the electric line cover can be damaged. This may cause a short or fire.
3. For the installation process, remove the dome cover from the camera module by loosening the three (3) screws on the dome. Use the wrench provided with the camera.
4. Install the moisture packet in the base of the camera's lens.
  - a. Remove the existing packet from the camera's base.
  - b. Insert the new moisture absorber packet in its place, as seen in the diagram below.
  - c. Place the moisture absorber under the camera's lens module.
5. Remove the protection film before placing the dome back on the camera. When placing the dome back on the camera, align the ridge on the dome with the one on the camera's base.



Reset Button

### ⚠️ **Reset to the Factory Default**

Press the reset button for 5 seconds to return the setup to the factory default.

### ⚠️ **Warning:**

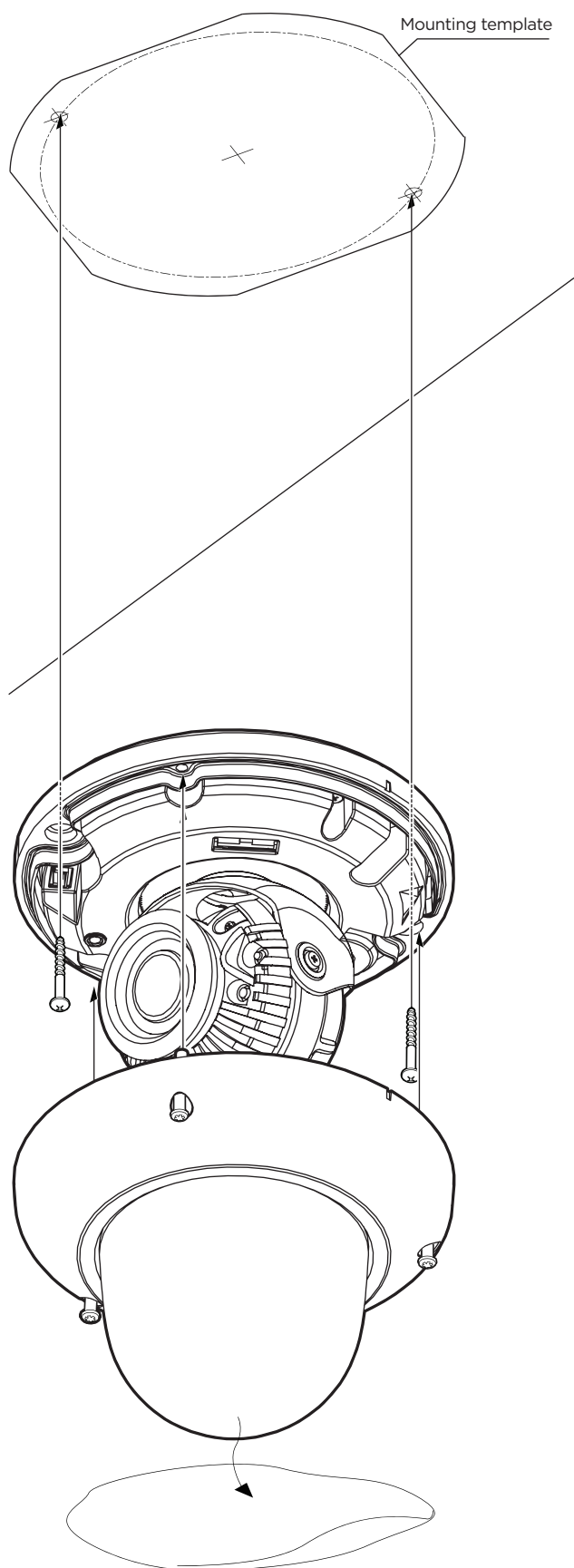
If you press the 'Reset' button, you will lose all setting data. If needed, please, make a note for further installation.

### ⚠️ **Warning:**

DO NOT TOUCH THE SURFACE OF THE BUBBLE. CleanView™ Hydrophobic Dome Coating has been applied to the camera's dome.

# Installation - Typical Installation

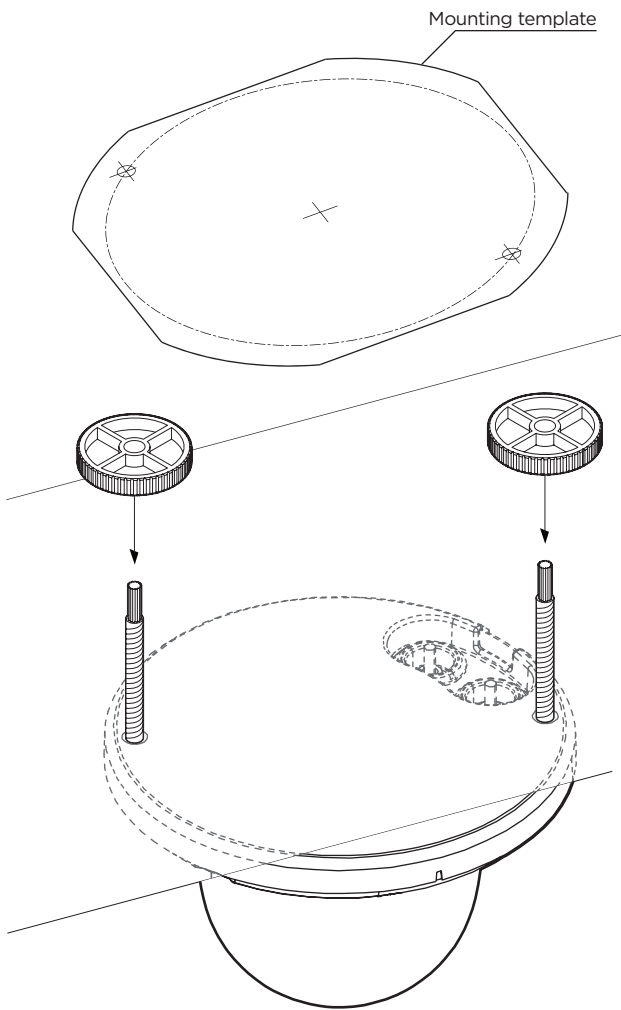
---



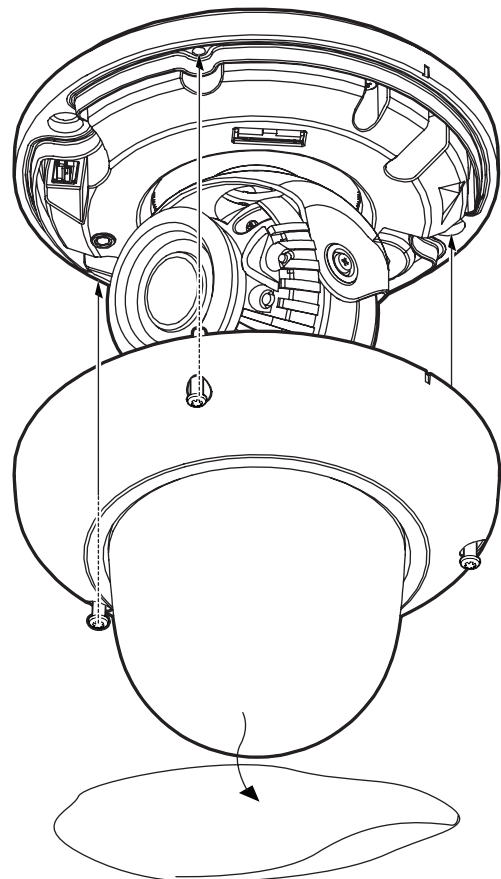
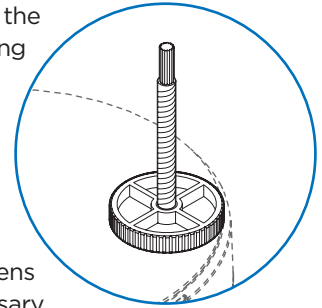
1. Using the mounting template sheet or the camera itself, mark and drill the necessary holes in the wall or ceiling.
2. Pass the wires through the mount bracket and make all necessary connections. See page 12 for more information.
3. Attach the camera to the mounting surface using the included anchors and screws.
4. Adjust the camera's lens position to the necessary angle. the camera's max tilting angle is 75°.
5. Assemble the dome cover over the camera body. Be sure to assemble the dome and bottom case to match the case outline.
6. When the installation is completed, remove the protective film.



# Installation - Installation Using Mount Bolt & Nut

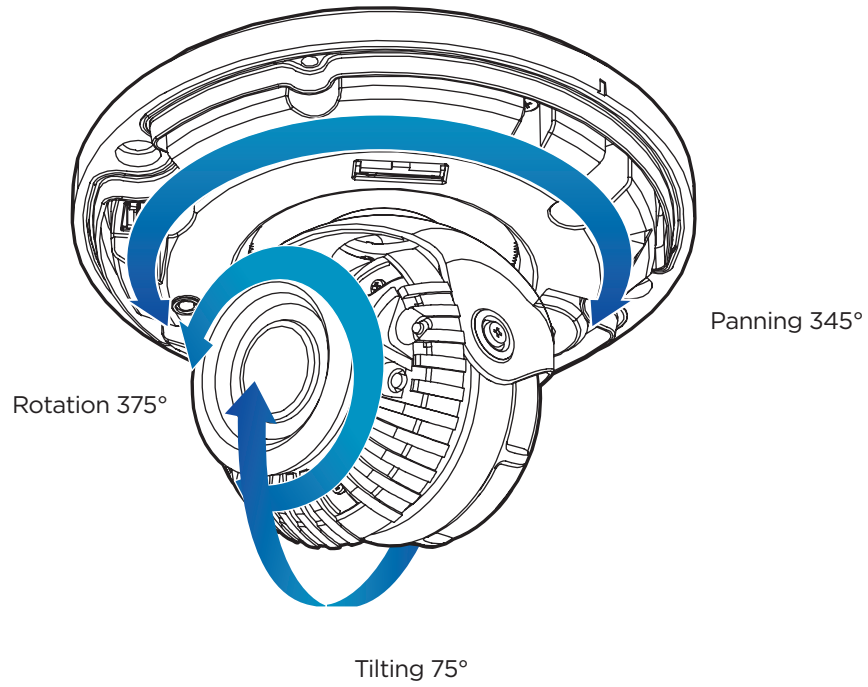


1. Using the mounting template for the nuts and bolts installation, mark and drill the necessary holes in the wall or ceiling.
2. Pass the wires through and make all necessary connections. See page 12 for more information.
3. Secure the two long mounting screws to the camera's base.
4. Mount the camera to the mounting surface using the 2 mounting nuts.
5. Rotate the locking discs over the screws until the camera is held tightly from the mounting surface.
6. Adjust the camera's lens position to the necessary angle. the camera's max tilting angle is 75°.
7. Assemble the dome cover over the camera body. Be sure to assemble the dome and bottom case to match the case outline.
8. When the installation is completed, remove the protective film.

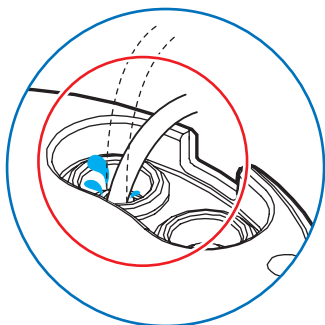
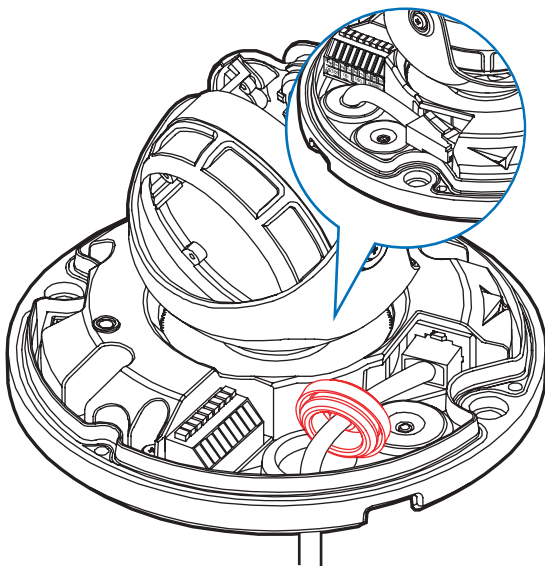
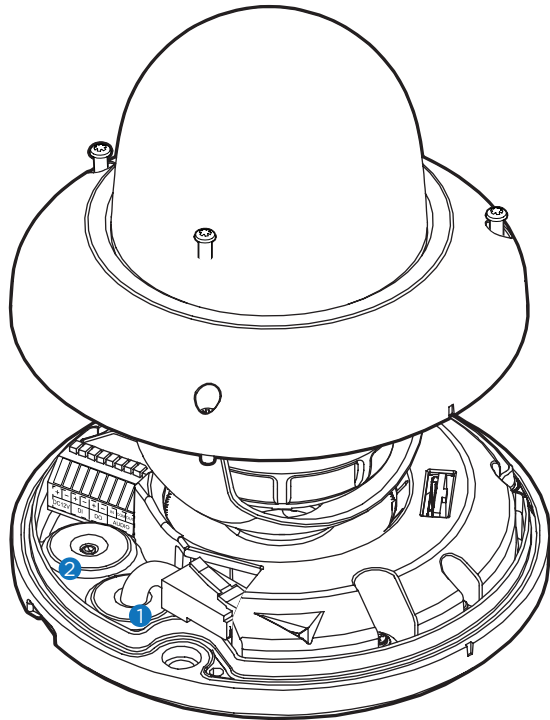


# Installation - Adjusting the Camera Angle

---



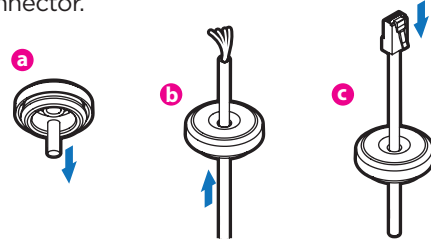
# Installation - Cabling



1. Network cable - to connect an RJ45 cable to the camera:

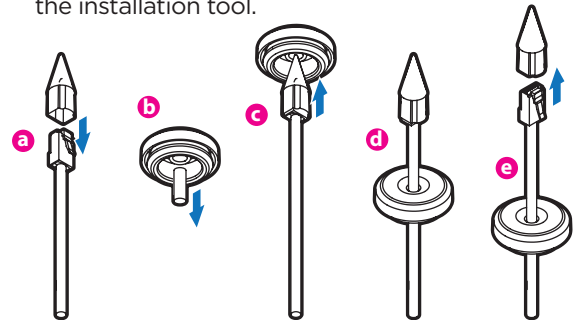
Option A (recommended):

- Remove the grommet plug.
- Pass the network cable through the grommet at the the base of the camera.
- Once the cables are through, add the RJ45 connector.



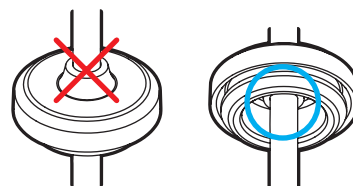
Option B:

- Attach the included RJ45 installation tool to the network cable.
- Remove the grommet plug.
- Pass the network cable's connector through the grommet. Pay attention to the direction of the grommet connection when connecting the cables.
- Once the cable's connector is through, remove the installation tool.



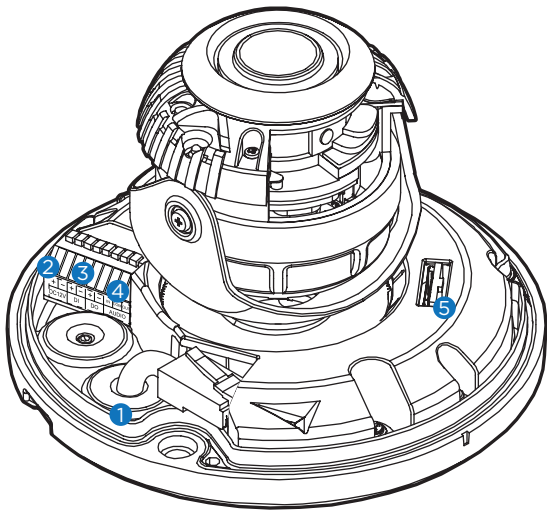
Once the network cable is passed through the grommet:

- Insert the grommet into the bottom case of the camera.  
NOTE: Bending the cable may cause water leakage.
- Connect the RJ45 into the camera's network input at the base of the camera.



- ❌ Bending the cable can cause water leakage.
- ❌ Use a cable with a  $\varnothing 5.0 - \varnothing 8.0$ mm diameter.

# Installation - Cabling



|       |   |    |   |    |   |       |     |     |
|-------|---|----|---|----|---|-------|-----|-----|
| +     | - | +  | - | +  | - | IN    | COM | OUT |
| DC12V |   | DI |   | DO |   | AUDIO |     |     |

2

3

4

## 1. Network Connection

See page 11 for connection options.

## 2. Power

Please check the correct rated power.

| Model                             | Power requirements   | Power consumption                 |
|-----------------------------------|--|-----------------------------------|
| DWC-MVC8WiATW<br>DWC-MPVC8WiATW   | DC 12V, PoE IEEE<br>(802.3af class 3).<br>(Adapter not included) | DC12V: max 9.3W<br>PoE: max 11.6W |
| DWC-MVC8Wi28TW<br>DWC-MPVC8Wi28TW |  | DC12V: 8W<br>PoE: 9.6W            |

## 3. Sensor/alarm input (DI)

The sensor/alarm input device's cable should connect to + and - of the Terminal Block.

### Alarm out/relay out (DO)

Connects to the alarm lights, siren or lamps and the sensor types are normal open and normal close.

## 4. Audio in

Connect the 'audio in' port of the camera to the microphone directly or 'line out' port of the amplifier connected with a microphone.

⚠ If the microphone is connected directly, the microphone with the embedded amplifier such as condenser mic. needs to be used.

### Audio out

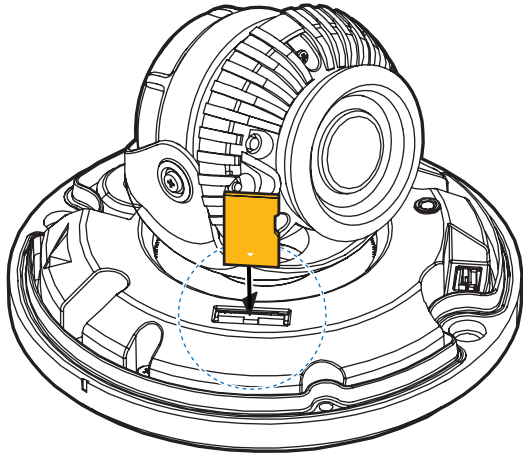
Connect the 'audio out' port of the camera to the 'line in' port of the speaker.

⚠ If the speaker without the amplifier is connected to the audio out port, it doesn't work properly. Therefore, the speaker with the amplifier or the separate amplifier is needed.

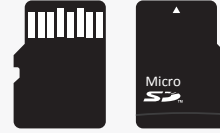
## 5. SD card slot

See page 13.

# Installation - Inserting/Removing an SD Memory Card



The memory card is an external data storage device that has been developed to offer an entirely new way to record and share video, audio, and text data using digital devices.



## ⚠ Recommended SD card specification (not included)

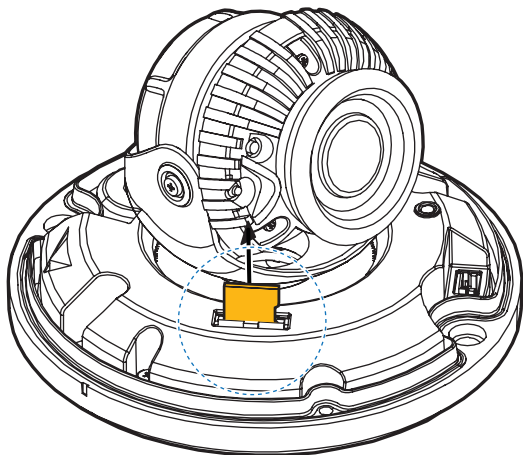
- Type: Micro SD (SD/SDHC/SDXC)
- Manufacturer: SanDisk, Samsung, Transcend, Micron
- Capacity: 4GB-128GB
- Class: UHS-I U3 Class 10

⚠ New micro SD card over 64GB must be formatted on the first use.

## 1 Inserting an SD Memory Card

Insert the SD card in the arrow direction.

- ⚠ Don't insert the SD memory card while it's upside down by force. Otherwise, it may damage the SD memory card.



## 2 Removing an SD Memory Card

Removing an SD Memory Card Gently press down on the exposed end of the memory card as shown in the diagram to eject the memory card from the slot.

- ⚠ Pressing too hard on the SD memory card can cause the card to shoot out uncontrollably from the slot.
- ⚠ If you have saved data in the SD memory card, removing the SD memory card before setting the record to OFF will cause damage to the data stored in the card.

# Network Setup - DW IP Finder™

The screenshot shows the DW IP Finder interface. On the left, there is a sidebar with controls: 'Thumbnail view', 'Select network to scan' (Local Area Connection [192.168.0.188]), 'Filter results' (All), 'Scan network' (Scan Devices), 'Show/hide thumbnail view' (Thumbnail), 'Refresh thumbnail view' (Refresh Thumbnail), 'Bulk IP assignment' (Bulk IP Assignment), 'Bulk password assignment' (Bulk Password Assignment), and 'Firmware upgrade' (FW Upgrade). At the bottom left, there is a section for 'Selected camera's username and password' with fields for Username and Password, and a Log In button.

The main area displays a table of discovered cameras. The table has columns: Name, IP Address, Model, MAC Address, Netmask, Gateway, Port, DHCP, Version, Ping Test, IP Conf., and Uptime. The table contains several rows of camera data. To the right of the table, there are buttons for 'Ping' and 'Click' for each camera. On the far right, there are annotations: 'Firmware version', 'Camera's uptime', 'Open IP configuration settings', 'Ping camera', 'Camera's network information', and 'Camera's name, IP and MAC addresses'.

| Name         | IP Address     | Model        | MAC Address       | Netmask       | Gateway       | Port | DHCP     | Version           | Ping Test | IP Conf. | Uptime             |
|--------------|----------------|--------------|-------------------|---------------|---------------|------|----------|-------------------|-----------|----------|--------------------|
| DWC-MPTZ30X  | 192.168.150.34 | DWC-MPTZ30X  | 00:07:08:19:10:1A | 255.255.255.0 | 192.168.150.1 | 80   | Disabled | 1.0.94-X2_release | Ping      | Click    |                    |
| DWC-MV44WA   | 192.168.150.40 | DWC-MV44WA   | 00:0D:F1:21:53:8F | 255.255.255.0 | 192.168.150.1 | 80   | Disabled | A2.01.02_20180619 | Ping      | Click    | 28day 14hrs 0mins  |
| DWC-PZ21M69T | 192.168.150.41 | DWC-PZ21M69T | 00:0D:F1:21:29:21 | 255.255.255.0 | 192.168.150.1 | 80   | Disabled | A5.01.03_20180403 | Ping      | Click    | 39day 15hrs 54mins |
| DWC-PVX16W4  | 192.168.150.42 | DWC-PVX16W4  | 00:0D:F1:21:5C:AD | 255.255.255.0 | 192.168.150.1 | 80   | Disabled | S2.01.03_20180300 | Ping      | Click    | 56day 16hrs 46mins |
| DWC-PFSM1TR  | 192.168.150.61 | DWC-PFSM1TR  | 00:0A:61:1A:00:14 | 255.255.255.0 | 192.168.150.1 | 80   | Disabled | -                 | Ping      | Click    | --                 |
| DWC-PVF9M2TR | 192.168.150.62 | DWC-PVF9M2TR | 00:0A:61:1A:26:E7 | 255.255.255.0 | 192.168.50.1  | 80   | Disabled | -                 | Ping      | Click    | --                 |
| DWC-MF4VH    | 192.168.150.63 | DWC-MF4VH    | 00:0D:F1:20:FB:60 | 255.255.255.0 | 192.168.150.1 | 80   | Disabled | A2.01.02_20180619 | Ping      | Click    | 28day 14hrs 0mins  |

- To install the DW IP Finder, go to: <http://www.digital-watchdog.com>
- Enter "DW IP Finder" on the search box at the top of the page.
- Go to the "Software" tab on the DW IP Finder page to download the installation file.

4 Follow the installation to install the DW IP Finder. Open the DW IP Finder and click 'Scan Devices'. It will scan the selected network for all supported devices and list the results in the table. During the scan, the DW® logo will turn gray.

5 When connecting to the camera for the first time, a password must be set. To set up a password for your camera:

- Check the box next to the camera in the IP Finder's search results. You can select multiple cameras.
- Click "Bulk Password Assign" on the left.
- Enter admin/admin for the current username and password. Enter a new username and password to the right.

The screenshot shows the 'Bulk Password Assignment' dialog box. It has two sections: 'Current Account' and 'New Password'. The 'Current Account' section has fields for Username (admin) and Password (admin). The 'New Password' section has fields for New, Confirm, and Hint. There is a 'Change' button. Below these sections is a table with columns: Name, MAC Address, IP Address, and Note. The table contains one row: DWC-M2W4T, 00:0D:F1:21:66:92, 192.168.10.159.

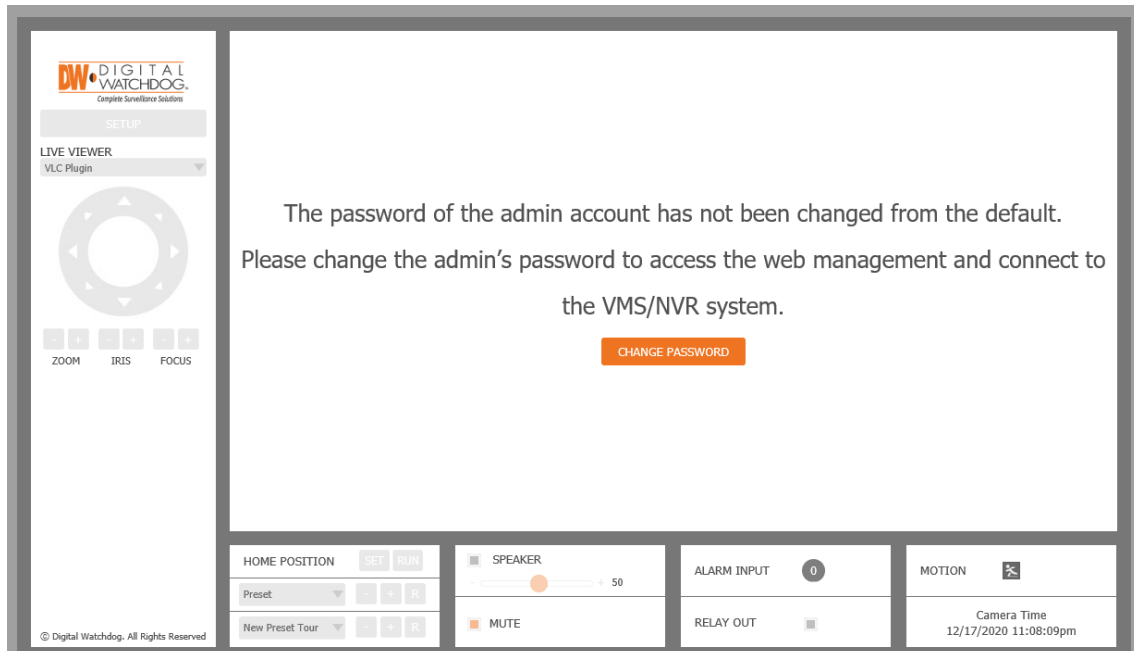
Passwords must have a minimum of 8 characters with at least 4 combinations of uppercase letters, lowercase letters, numbers and special characters. Passwords cannot contain the user ID.

d. Click "change" to apply all changes.

- Select a camera from the list by double-clicking on the camera's image or clicking on the 'Click' button under the IP Conf. column. The pop-up window will show the camera's current network settings, allowing admin users to adjust the settings as needed.
- To access the camera's web page, click on the 'View Camera Website' from the IP Config window.
- To save changes made to the camera's setting, enter the username and password of the camera's admin account and click 'Apply'.

The screenshot shows the 'Camera Settings' dialog box. It has fields for Camera Name (DWC-MD421TR) and MAC Address (00:0D:F1:20:A4:9E). Under 'IP Configuration Mode', there are radio buttons for DHCP (selected) and Static IP. Below this are fields for IP Address (192.168.1 .101), Netmask (255.255.255.0), Gateway (192.168.1 .1), and DNS (192.168.40 .1). There is a 'Ports' section with fields for Web Port (80), Control Port (0), Video Port (0), Audio Transmit (0), and Audio Receive (0). At the bottom, there are fields for Username (admin) and Password (masked with dots). There are buttons for 'Restore default camera configuration', 'View Camera Website', 'Apply', 'Reboot', and 'Cancel'.

# Web Viewer Screen - Basic Screen (Default)



**Password change is required at the initial connection in a factory reset state. The web client cannot be fully utilized until a new password has been assigned.**

- 1 You cannot see the image, and the setup button is disabled.
- 2 Change the password with the CHANGE PASSWORD button.

- 3 After changing the password, login again by pressing the RE-LOGIN button.
  - Internet Explorer: After three failed attempts or the cancel button is clicked, you will experience a login fail.
  - Other Browsers: After the Cancel button is clicked, you will experience a login fail.

**The admin's password has been changed.**

**Please re-login.**

[RE-LOGIN](#)

**Your session has expired and you have been signed out.**

**Please re-login.**

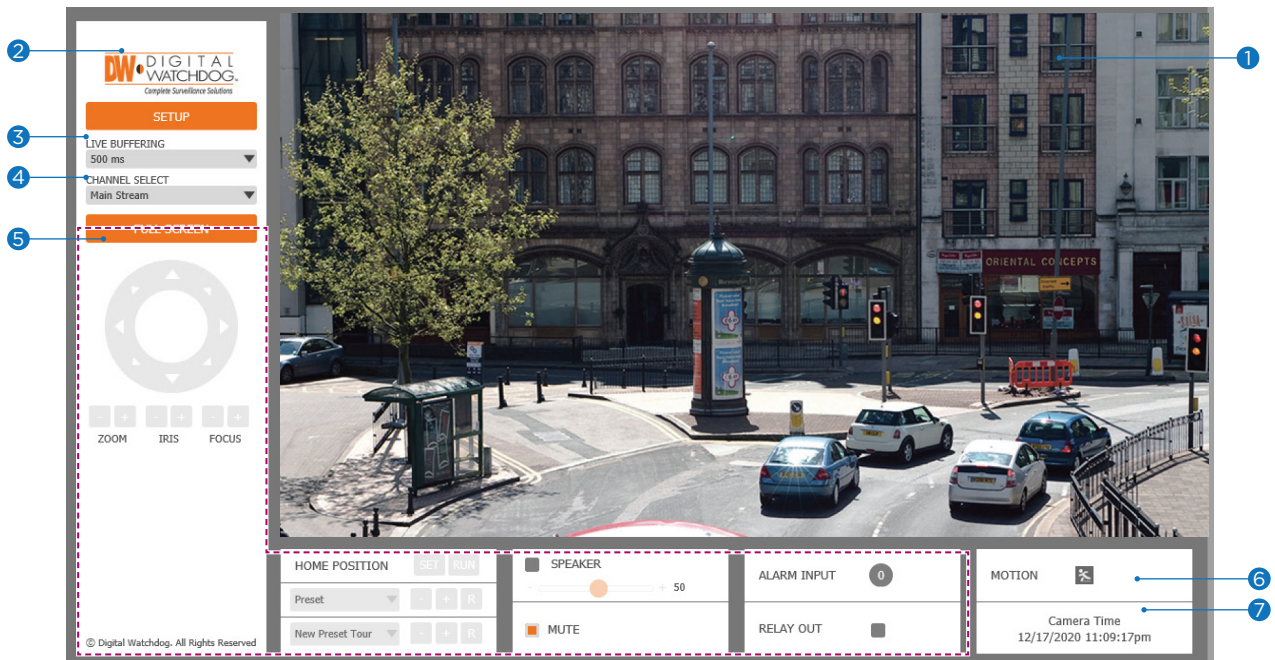
[RE-LOGIN](#)

**✳ Password Hint Page**

- If you need help remembering the password for your user, input the username in the username field and press the hint button. If you added a hint for your password when setting it up, it will appear then.



# Web Viewer Screen - Basic Screen



※ The web viewer is optimized with Internet Explorer 10 (or above) and Mozilla Firefox.

※ “If VLC is not installed or the VLC plugin is not supported (Chrome), ‘Live Buffering’ and ‘Channel Select’ (subjects 3 and 4 in the diagram) will display as ‘Live Viewer’. If so, select HTML5 (MJPEG) from the Live Viewer menu to view the video.

1 Live video display. This is the region for the live video stream from the camera.

2 Setup a popup button. Click it to open the Setup page to setup details of the IP camera like Video, Network, Events, System, etc. See the section ‘Setup’.

3 When the image is distorted due to a bad network connection, the stored image frames will display live images, depending on the set buffer time.

※ Users will see the delayed images based on the set delay time.

4 Channel Select button. Select a stream produced from the camera between Stream 1 ~ 3 to display it in the live view screen.

※ Refer the ‘Setup > Video & Audio > Video’ to setup the Video Stream.

5 Below “Menu” is supported per model.

**PTZ Control** - This camera model does not support zoom and focus.


**Preset** - Not supported.

**Speaker Control** - Enable/disable the audio stream from the camera and adjust the volume accordingly.

**Alarm Input** - If an alarm is triggered, the corresponding input number will be changed from dark gray to red.

**Relay Out** - Using this checkbox, read the relay output status and set or reset it manually.

6 **Motion** - Shows the motion event status.

※ Event Alert Icon (  ) appears if ‘Motion Detection’ is activated.

7 **Camera Time** - Display the camera time.



# Setup - Video and Audio Setup

## Video Configuration

**1** Detail Page - When you select an item from the menu, you can set the details for the selected item.

**2** Setup Constitution

**Video and Audio**  
[VIDEO, OSD, ROI, AUDIO]

**Camera**  
[IMAGE ADJUSTMENT, EXPOSURE, DAY AND NIGHT, BACKLIGHT, WHITE BALANCE, IMAGE, VIDEO]

**Network**  
[STATUS, NETWORK SETTING, AUTO IP, ONVIF, UPNP, DDNS, FTP, SMTP, SNMP, HTTP ACTION, RTSP INFORMATION]

**Trigger Action**  
[ACTION RULES, IMAGE TRANSFER, RELAY OUT]

**Events**  
[EVENT RULES, MOTION, TEMPERATURE, ALARM INPUT]

**Record**  
[MANAGEMENT, RECORD LIST, STORAGE]

**IVA - See the MEGApix IVA user manual for more information on this section**  
[ENABLE, RULES, COUNTERS, CALIBRATION, CLASSIFICATION, BURNT-IN ANNOTATION, TCP NOTIFICATION, HTTP NOTIFICATION, TAMPER, ADVANCED, LICENSE]

**Security**  
[IP ADDRESS FILTER, RTSP AUTHENTICATION, IEEE 802.1x, HTTPS, CERTIFICATES, AUTO LOCK]

**System**  
[INFORMATION, DIAGNOSTICS, CONFIGURATION BACKUP, FIRMWARE UPDATE, DATE AND TIME, DST, USER MANAGEMENT, LOG, FACTORY RESET, RESTART, OPEN SOURCE, PLUG-IN]

# Setup - Video and Audio Setup

## Video Configuration

**VIDEO CONFIGURATION**

| Stream | Codec  | Description |
|--------|--------|-------------|
| 1      | H.264  | channel1    |
| 2      | H.264  | channel2    |
| 3      | M-JPEG | channel3    |

**Codec**

Codec: H.264

Description: channel1

Resolution: 3840x2160

Frame Rate(FPS): 30

GOP: 30 [ 1 ~ 120 ]

Profile: High

Bitrate Mode: CBR

Target Bitrate: 5120 [ 1Mbps ~ 25Mbps ]

Quality: 5 [ 1 ~ 10 ]

Smart Bitrate Control: Off

Extension Option: Off

APPLY

**1 Live Video Channel Setup** - The video can be configured to various settings with a combination of codec and resolution. The camera performance should be considered when setting multiple channels, as the performance of the camera will be affected.

⚠ H.265 (HEVC) codec with a higher bitrate may cause unstable live streaming or reload the webpage.

**2 Codec** - Choose the video codec. Depending on the selected codec, the subcategories may be changed accordingly.

**3 Description** - Input the additional description of the selected channel. Max. 30 alphanumeric characters may be used, including spaces.

**4 Resolution** - Select video resolution.

⚠ Available Frame Rate may differ even if the same codecs are in use.

<Resolution of Video Format>

| QFHD      | 2560x1440 (4M) | 1080p/i   | 720p/i   | SVGA    | 768x432 (0.3M) | 4CIF               | VGA     | 640x360 (0.2M) | CIF                |
|-----------|----------------|-----------|----------|---------|----------------|--------------------|---------|----------------|--------------------|
| 3840x2160 | 2560x1440      | 1920x1080 | 1280x720 | 800x600 | 768x432        | 704x576<br>704x480 | 640x480 | 640x360        | 352x288<br>352x240 |

**5 Frame Rate** - Select the maximum Frame Rate.

⚠ Available Frame Rate can be different although the same codecs were set up.

# Setup - Video and Audio Setup

## Video Configuration

### VIDEO CONFIGURATION

| Stream | Codec  | Description |
|--------|--------|-------------|
| 1      | H.264  | channel1    |
| 2      | H.264  | channel2    |
| 3      | M-JPEG | channel3    |

#### Codec

Codec:

Description:

Resolution:

Frame Rate(FPS):

GOP:  [ 1 ~ 120 ]

Profile:

Bitrate Mode:

Target Bitrate:  [ 1Mbps ~ 25Mbps ]

Quality:  [ 1 ~ 10 ]

---

Smart Bitrate Control:

Extension Option:

APPLY

- 6 GOP (Group of Pictures) Size** - Set up the number of frames (P-frame) which contain only changed information based on the basic frame (I-frame). Regarding videos with lots of movement, if you set the GOP size bigger, only the number of P-frames is bigger.

As a result, the video resolution will be low but 'File size' and 'Bit-rate can be decreased.

⚙️ **GOP (Group of Pictures) Size** -

I-frame and P-frame creation for MPEG4, H.264, and H.265 (HEVC) video compression. 'I-frame', also known as 'key-frame', refers to the complete image data for a specific video frame. 'P-frame' refers to the changes in the image in comparison to the previous video frame. As a result, the GOP consists of one I-frame and several P-frames. For improved video quality, use a lower number of P-frames for this setting.

- 7 Profile** - The profile defines the subset of bitstream features in H.264, H.265 (HEVC) stream, including color reproduction and additional video compression.

⚙️ H.264: Main, High / H.265 (HEVC): Main

---

**Main** - An intermediate profile with a medium compression ratio. Supports I-frames, P-frames, and B-frames.

**High** - A complex profile with a high compression ratio. Supports I-frames, P-frames, and B-frames.

- 8 Bitrate Mode** - Select the bit rate control scheme of video compression from CBR (Constant Bit Rate) or VBR (Variable Bit Rate).

**CBR** - To guarantee the designated constant bit rate, the quality of the video is controlled in this mode. Therefore, the quality of the video is likely to be varying when network traffic is changing.

**VBR** - To guarantee the designated quality, the bit rate of the video stream is changed in this mode. Therefore, the frame rate of the video is likely to be varying when network traffic is changing.

⚙️ This category will not appear if you select the codec.

# Setup - Video and Audio Setup

## Video Configuration

---

**VIDEO CONFIGURATION**

| Stream | Codec  | Description |
|--------|--------|-------------|
| 1      | H.264  | channel1    |
| 2      | H.264  | channel2    |
| 3      | M-JPEG | channel3    |

**Codec**

Codec: H.264  
Description: channel1  
Resolution: 3840x2160  
Frame Rate(FPS): 30  
GOP: 30 [ 1 ~ 120 ]  
Profile: High  
Bitrate Mode: CBR

9 Target Bitrate: 5120 [ 1Mbps ~ 25Mbps ]  
10 Quality: 5 [ 1 ~ 10 ]  
11 Smart Bitrate Control: Off  
12 Extension Option: Off  
13 APPLY

9 **Target Bitrate** - If Bitrate Control is set to be CBR, you can set the Target Bitrate.

10 **Quality** - For VBR control mode, The Target Quality of the video can be setup.

11 **Smart Core** - Off / Smart.RC

12 **Extension Option**

---

**Off** - You cannot use the Extension Option.

---

**SVC-T On** - The H.264, H.265 (HEVC) SVC (Scalable Video Coding) is a video compression algorithm that enables effective and efficient transmission of video files over low bandwidth networks.

---

13 Click 'Apply' to save all settings.

# Setup - Video and Audio Setup

## OSD Configuration

---

**ON SCREEN DISPLAY(OSD) CONFIGURATION**

**1** **Date & Time**  
 Off  On  
Position X  [ 0 ~ 100 ]  
Position Y  [ 0 ~ 100 ]

**2** **User Text**  
 Off  On  
Position X  [ 0 ~ 100 ]  
Position Y  [ 0 ~ 100 ]  
Text

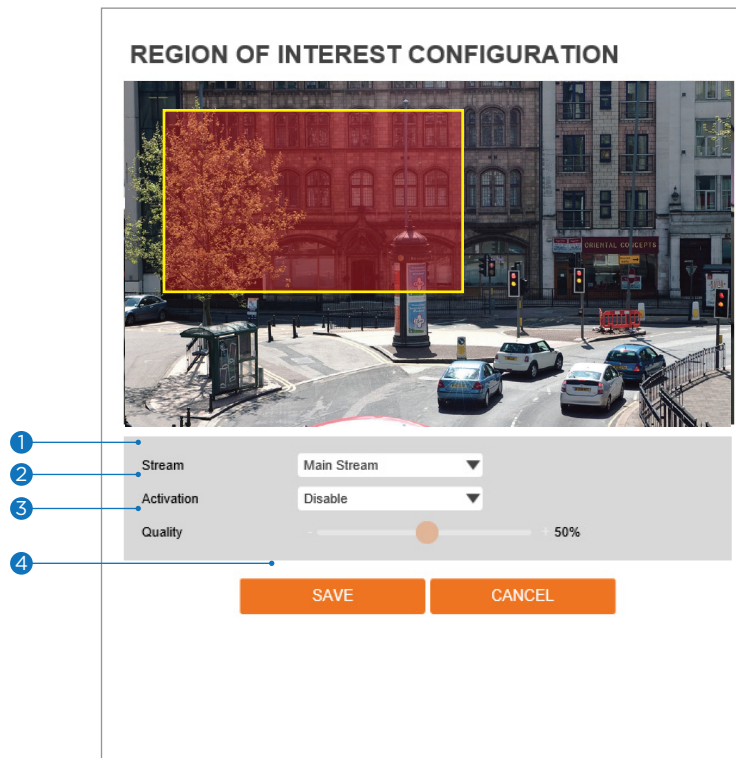
**3** **APPLY**

- 1 Date / Time** - Display the current time.
- 2 User Text** - Output the TEXT entered by the user. Support a maximum of 30 characters.
- 3** Click 'Apply' to save all settings.

# Setup - Video and Audio Setup

## Region of Interest Configuration

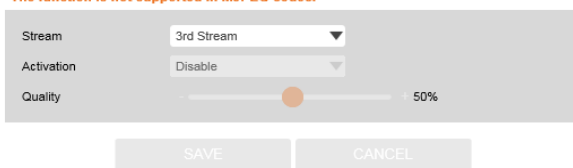
---



The region of interest function gives a more efficient picture quality for the indicated area to improve the qualities of movement in the scene without compromising the bandwidth.

- 1 **Stream** - Select the Stream.
  - ☒ Currently supports only H.264, H.265 (HEVC).
  - ☒ The function is not supported in the MJPEG codec.

The function is not supported in MJPEG codec.



- 2 **Activation** - Enable or disable the region of interest function.
- 3 **Quality** - Set the quality of the set area.
- 4 Click 'Save' to save all settings.
  - ☒ Click 'Cancel' to return to the previous setting.

# Setup - Video and Audio Setup

## Audio Configuration

---

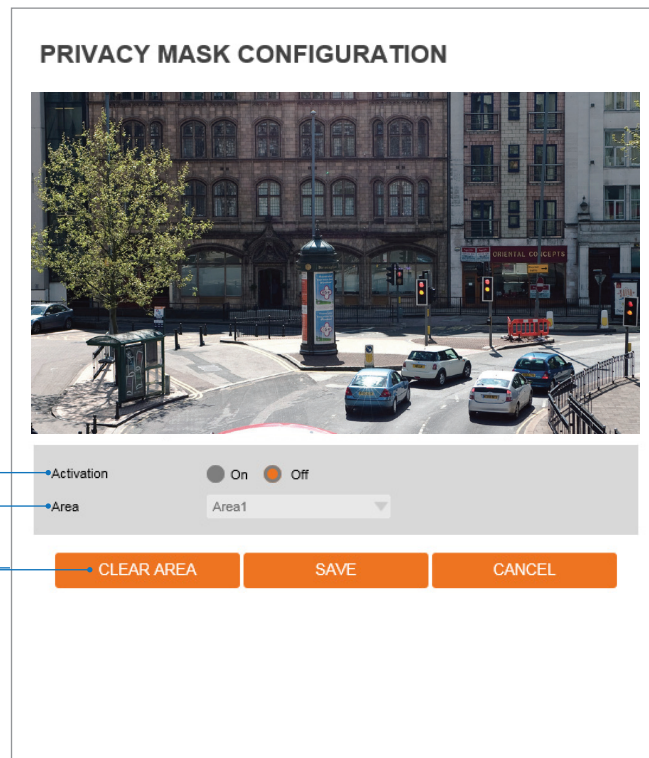
The screenshot shows the 'AUDIO CONFIGURATION' interface. It features a grey header with the title 'AUDIO CONFIGURATION'. Below the header, there are four settings: 'Audio Encode' (a sub-header), 'Codec' (a dropdown menu showing 'G.711 ulaw'), 'Volume' (a dropdown menu showing '0'), and 'Sample Rate' (a dropdown menu showing '8,000 Hz'). Below these settings is an orange 'SAVE' button. Four numbered callouts (1, 2, 3, 4) are positioned to the left of the interface, with lines pointing to the Codec, Volume, Sample Rate, and SAVE button respectively.

- 1 **Codec** - Select the Audio Codec.
  - ⚙️ Currently, the camera supports codec G.711.
- 2 **Volume** - Select the Audio Volume from 0 to 10.
- 3 **Sample Rate** - Select the Audio Sample Rate.
  - ⚙️ Currently, the camera supports 8000 Hz.
- 4 Click 'Save' to save all changes.

# Setup - Video & Audio Setup

## Privacy Mask Configuration

---



**Use this function to mask areas that you want to hide on-screen to protect privacy.**

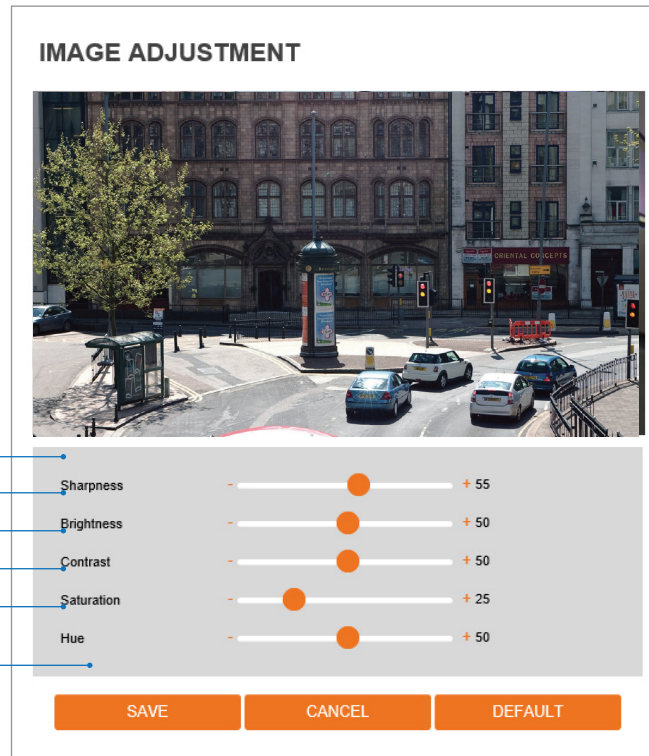
- 1 **Activation** - Enable or disable the privacy mask function.
- 2 **Area** - Select Area1 ~ Area16, then draw the privacy mask in the video display.
- 3 Click 'Save' to save all settings.
  - ⌘ Click 'Cancel' to return to the previous setting.
  - ⌘ Click 'Clear Area' to delete the selected Area1~Area16.



# Setup - Camera Setup

## Camera Image Adjustment

---

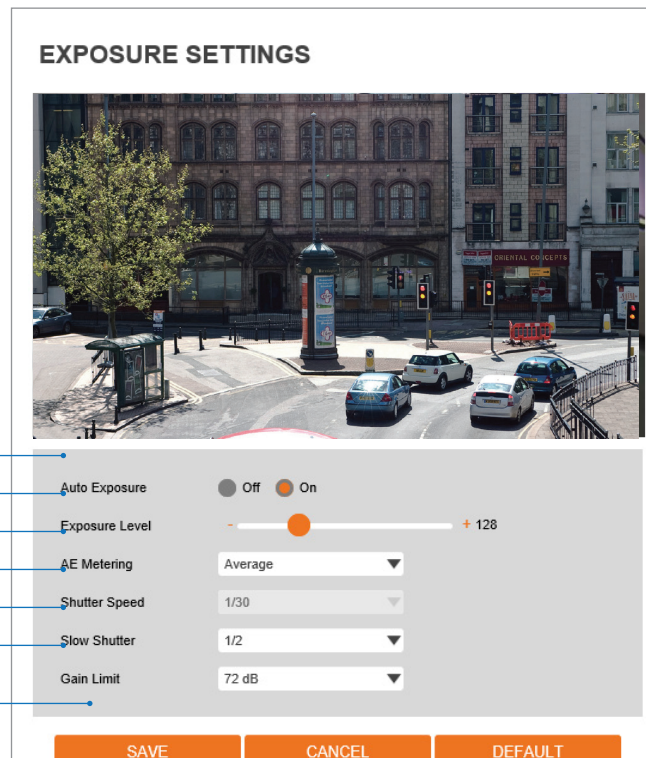


- 1 **Sharpness** - The higher the number, the sharper the lines in the image will appear.
- 2 **Brightness** - The higher the number, the brighter the image will appear.
- 3 **Contrast** - The higher the number, the stronger the contrast between colors in the image will appear.
- 4 **Saturation** - The higher the number, the more saturated the colors in the image will appear.
- 5 **Hue** - The higher the number, the stronger the hue in the image will appear.
- 6 Click 'Save' to save all settings.
  - ⊠ Click 'Cancel' to return to the previous setting.
  - ⊠ Click 'Default' to settings to the factory defaults.

# Setup - Camera Setup

## Camera Exposure Settings

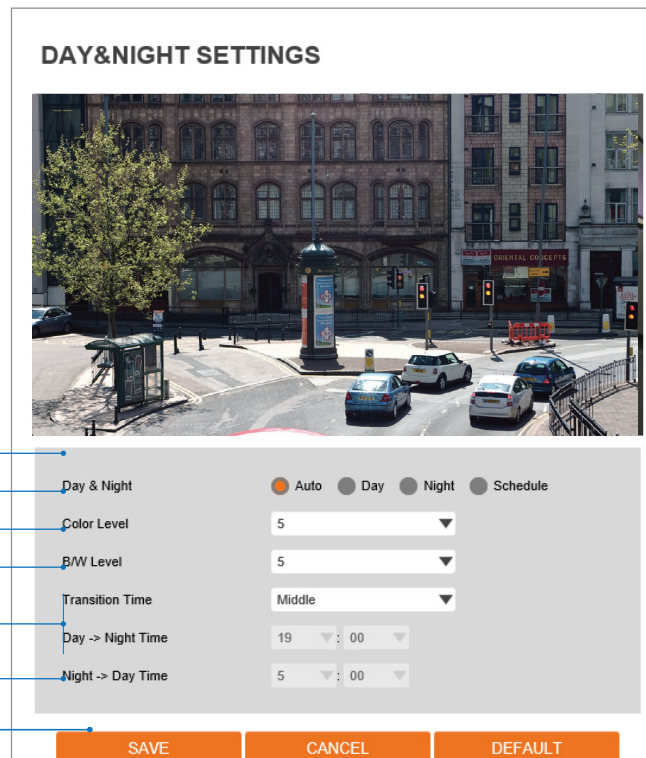
---



- 1 **Auto Exposure** - Automatic exposure (AE) automatically sets the aperture or shutter speed, based on the external lighting conditions for the photo.
- 2 **Exposure Level** - The higher the number, the brighter the image will appear.
- 3 **AE metering** - AE metering mode refers to how a camera determines the exposure.
- 4 **Shutter Speed** - If this speed is faster, the moving object can be photographed without the ghost effect. However, the picture can be dark if the lighting is insufficient.
- 5 **Slow Shutter Level** - Slow shutter Level lets you adjust the amount of light striking the sensor and essentially determines when the video sensor sends out its batch of data for processing.
- 6 **Gain Limit** - Adjusts image gain. The lower the value, the darker the image will appear.
- 7 Click 'Save' to save all settings.
  - ⊠ Click 'Cancel' to return to the previous setting.
  - ⊠ Click 'Default' to settings to the factory defaults.

# Setup - Camera Setup

## Camera Day and Night Settings



### 1 Day and Night

- **Auto:** In this mode, the IR cut filter is removed automatically depending on the light condition around.
- **Day:** In this mode, the IR cut filter is applied to the image sensor all the time. Thus, the sensitivity will be reduced in the dark light condition, but better color reproduction performance is obtained.
- **Night:** In this mode, the IR cut filter on the image sensor is removed all the time. The sensitivity will be enhanced in the dark light condition, but the image is black and white.
- **Schedule:** In this mode, Day/Night mode is converted accordance with the scheduled time.

2 **Color Level** - This level determines when the camera will change from Night mode (B/W) to Day mode (color) while set to Auto. The lower that this value is set, the lower the lighting threshold requirement will be for the transition.

3 **B/W Level** - This level determines when the camera will change from Day mode (color) to Night mode (B/W) while set to Auto. The lower that this value is set, the lower the lighting threshold requirement will be for the transition.

4 **Transition Time** - If it is set to Auto, to determine the rate at which Day/Night is converted.

5 If it is set to schedule mode, Set the time that Day/Night is converted.

6 **IR Mode** - turn the built-in IR LEDs on or off manually.

7 Click 'Save' to save all settings.

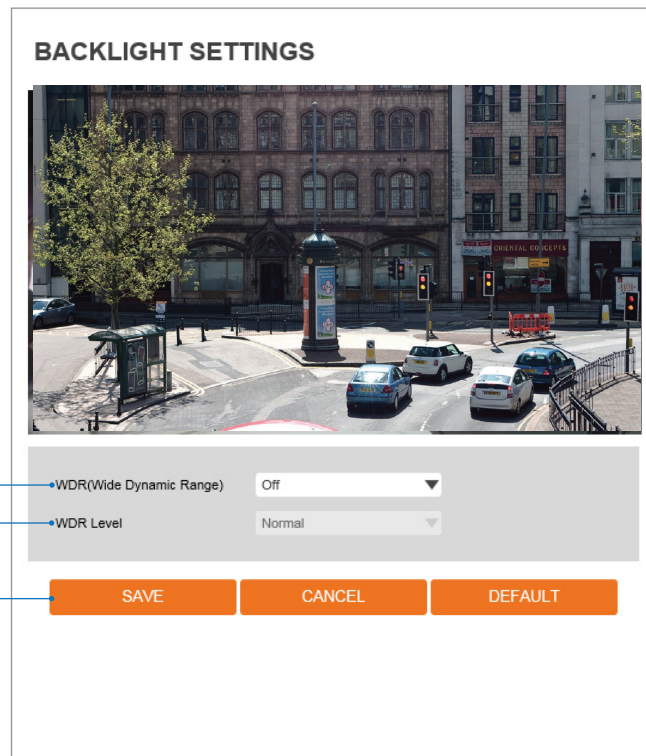
☒ Click 'Cancel' to return to the previous setting.

☒ Click 'Default' to settings to the factory defaults.

# Setup - Camera Setup

## Camera Backlight Settings

---



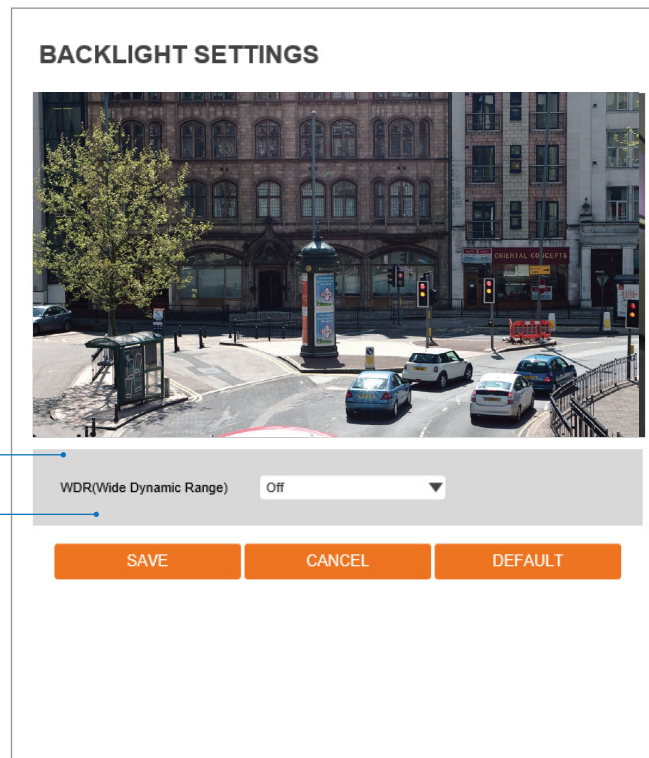
**This feature is used when lighting conditions may cause detail loss in the camera's view due to high contrast.**

- 1 **WDR (Wide Dynamic Range)** - Enable or disable the feature.
- 2 **WDR Level** - Set the WDR level from the available options. Select from normal, low, or high.
- 3 Click 'Save' to save all changes.
  - ☒ Click 'Cancel' to return to the previous setting.
  - ☒ Click 'Default' to change the settings back to their factory defaults.

# Setup - Camera Setup

## Camera Backlight Settings

---



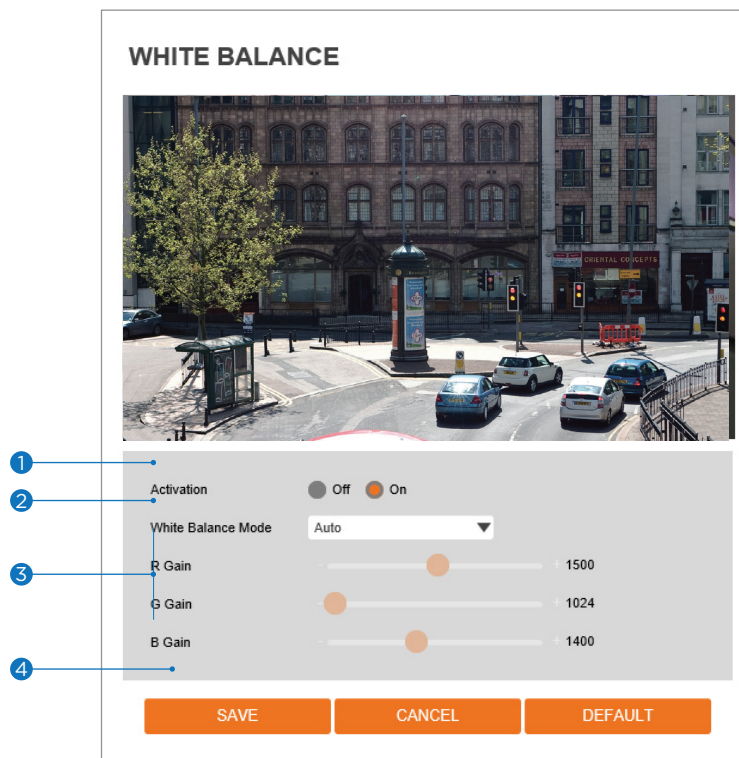
**This feature is used when lighting conditions may cause detail loss in the camera's view due to high contrast.**

- 1 **WDR (Wide Dynamic Range)** - Enable or disable the feature.
- 2 Click 'Save' to save all changes.
  - Click 'Cancel' to return to the previous setting.
  - Click 'Default' to change the settings back to their factory defaults.

# Setup - Camera Setup

## Camera White Balance

---



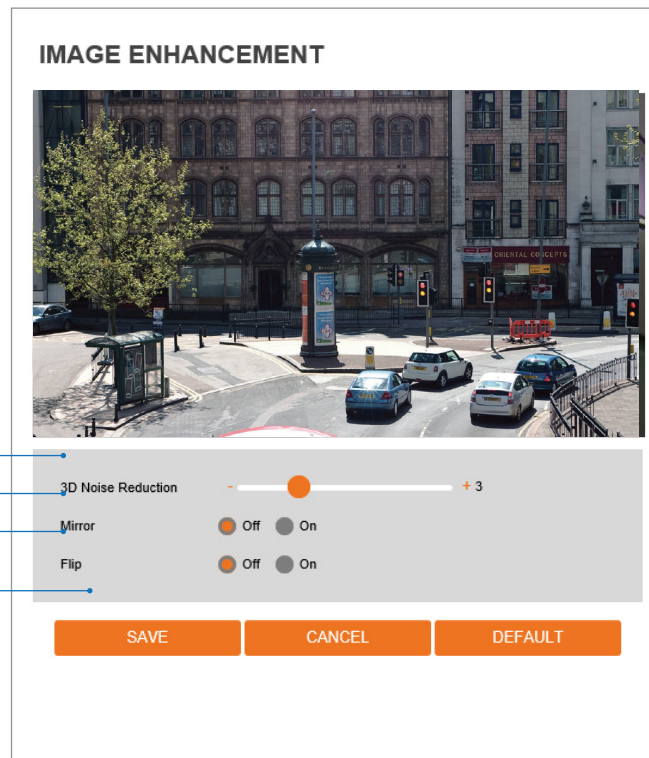
- 1 **Activation** - Enable or disable the White Balance function
- 2 **White Balance Mode** - Select White Balance depending on the lighting conditions.
- 3 **RGB Gain** - The R/G/B gain can be set only when the White Balance Mode is set to Manual.
- 4 Click 'Save' to save all settings.
  - ⊠ Click 'Cancel' to return to the previous setting.
  - ⊠ Click 'Default' to settings to the factory defaults.



# Setup - Camera Setup

## Camera Image Enhancement

---

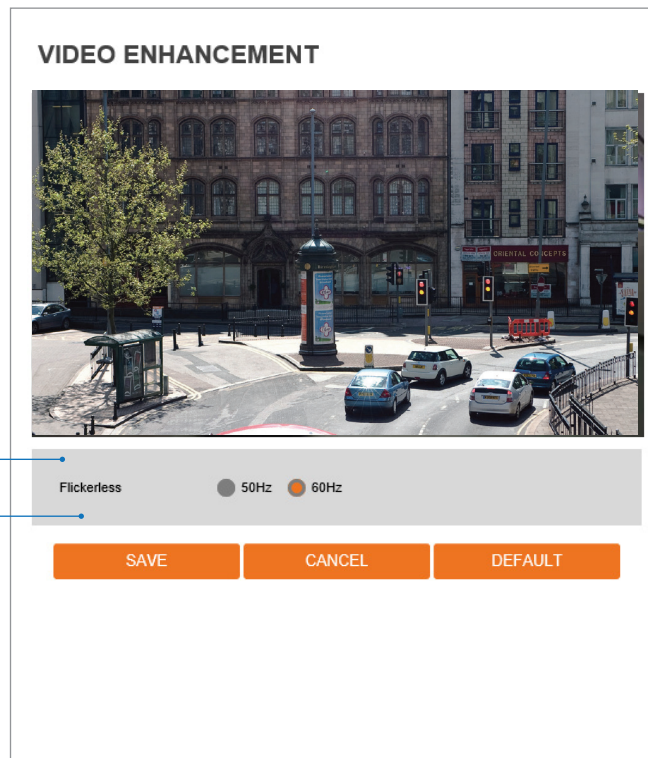


- 1 **3D Noise Reduction** - Reduce digital noise in low-light conditions, improving video quality.
- 2 **Mirror** - Reverse the video horizontally.
- 3 **Flip** - Reverse the video vertically.
- 4 Click 'Save' to save all settings.
  - ⊠ Click 'Cancel' to return to the previous setting.
  - ⊠ Click 'Default' to settings to the factory defaults.

# Setup - Camera Setup

## Video Enhancement

---



- 1 **Flicker** - In environmental situations where the camera's image appears to flicker, change the Hz values to improve the camera's image.
- 2 Click 'Save' to save the current settings.
  - ⊠ Click 'Cancel' to return to the previous setting.
  - ⊠ Click 'Default' to settings to the factory defaults.



# Setup - Network Setup

## Network Status

---

| NETWORK STATUS       |                   |
|----------------------|-------------------|
| MAC Address          | 00:0D:F1:21:96:3B |
| IP Address           | 192.168.1.14      |
| Subnet Mask          | 255.255.0.0       |
| Default Gateway      | 192.168.1.1       |
| Preferred DNS Server | 192.168.1.1       |
| Alternate DNS Server |                   |
| HTTP Port            | 80                |
| HTTPS Port           | 443               |
| RTSP Port            | 554               |

**This menu displays the camera's current network settings. To make any changes to the settings, you must go to the appropriate network settings tab.**

# Setup - Network Setup

## Network Settings

---

The screenshot shows the 'NETWORK SETTINGS' configuration page. At the top, the 'Host Name' is set to 'IPNC'. Below this is the 'Network Type' section with radio buttons for 'Static' (selected) and 'Dynamic'. The 'IP setup' section contains input fields for 'IP Address' (192.168.1.14), 'Subnet Mask' (255.255.0.0), 'Default Gateway' (192.168.1.1), 'Preferred DNS Server' (192.168.1.1), and 'Alternate DNS Server'. The 'Port Setup' section has input fields for 'HTTP Port' (80), 'HTTPS Port' (443), and 'RTSP Port' (554), each with a default range in brackets. An orange 'APPLY' button is at the bottom right. Numbered callouts 1-10 point to: 1. Network Type section; 2. IP Address field; 3. Subnet Mask field; 4. Default Gateway field; 5. Preferred DNS Server field; 6. Alternate DNS Server field; 7. HTTP Port field; 8. HTTPS Port field; 9. RTSP Port field; 10. APPLY button.

- 1 **Network Type** - Define the network IP address type. Select Static Mode for a fixed IP or Dynamic Mode for a dynamic IP address.  
If you select Static Mode, enter the camera's IP Address, Subnet Mask, Gateway, DNS Server, and all ports.  
If you select Dynamic Mode, the IP address will be assigned automatically by the DHCP network requirements.  
If you click 'Apply', the system will reboot and you will have to reconnect the camera using the new IP address.
  - 2 **IP Address** - A unique string of numbers, divided into four octets (ranging from 0-255), used to identify the device over a network.
  - 3 **Subnet Mask** - Determines the range of IP address options within the network.
  - 4 **Default Gateway** - IP address of the forwarding host within the network; the IP address of the router that is most commonly used.
  - 5 **Preferred DNS Server** - Address of the decentralized system used to translate alphabetic names into IP addresses.
  - 6 **Alternate DNS Server** - Secondary address of the decentralized system used to translate alphabetic names into IP addresses.
  - 7 **HTTP Port** - The HTTP port can be set to the default 80 port or any value between 1025 to 60000.
  - 8 **HTTPS Port** - The HTTPS port can be set to the default 443 port or any value between 1025 to 60000.
  - 9 **RTSP Port** - The RTSP port can be set to the default 554 port or any value between 1025 to 60000.
  - 10 Click 'Apply' to save all settings.
- ⊠ If the network type is dynamic, the IP address is changed in the following cases. In these cases, the IP address needs to be searched again, and the camera needs to be reconnected:
- When the camera's power is switched off and on.
  - After firmware update, or when the camera is reset to its default settings and reboot.

# Setup - Network Setup

## Auto IP Settings

---

**AUTO IP SETTINGS**

**General Setting**  
 Off  On

**UNIQUE ID** 4b231aca-7c6a-402d-86ae-1195558826d0

**AUTO IP ADDRESS** 169.254.1.0

APPLY

- 1 **General Setting** - Enable or disable the Auto IP Settings.
- 2 **Auto IP Settings Information** - Display the camera's Unique ID and Auto IP address.
- 3 Click 'Apply' to save all settings.

# Setup - Network Setup

## ONVIF Settings

---

The screenshot shows the 'ONVIF SETTINGS' interface. It features two main sections: 'Authentication' and 'Discovery mode'. The 'Authentication' section has three radio button options: 'None', 'WS-Usertoken', and 'WS-Usertoken + Digest'. The 'Discovery mode' section has two radio button options: 'Discoverable' and 'Nondiscoverable'. An orange 'APPLY' button is located at the bottom center. Three blue callout boxes with numbers 1, 2, and 3 are positioned to the left of the interface. Callout 1 points to the 'Authentication' section, callout 2 points to the 'Discovery mode' section, and callout 3 points to the 'APPLY' button.

### 1 Authentication

**None:** Allow access to the camera without ONVIF authentication.

**WS - Usertoken:** Allow access to the camera with WS-User Token of ONVIF authentication.

**WS - Usertoken + Digest:** Allow access to the camera with WS-User Token and Digest of ONVIF authentication.

### 2 Discovery Mode - Enable or disable discovery mode.

### 3 Click 'Apply' to save all settings.

# Setup - Network Setup

## UPNP Settings

---

The screenshot shows the 'UPNP SETTINGS' interface. It is divided into two main sections: 'General Setting' and 'Device Information'. The 'General Setting' section contains two radio buttons: 'Off' (selected) and 'On'. The 'Device Information' section contains a text input field labeled 'FriendlyName'. An orange 'APPLY' button is located at the bottom center of the form. Three numbered callouts (1, 2, and 3) point to the 'General Setting' section, the 'Device Information' section, and the 'APPLY' button, respectively.

- 1 **General Setting** - Enable or disable the UPNP function.
- 2 **Friendly Name** - Define the friendly name. Support a maximum of 30 characters and special characters.
  - Do not use: / ~ ! \$ ( ) { } [ ] ; ,
  - Acceptable special characters include; @ . \_ -
- 3 Click 'Apply' to save all settings.

# Setup - Network Setup

## DDNS Settings

---

**DDNS SETTINGS**

Disable

Public DDNS

Address: www.no-ip.com

Host Name: \_\_\_\_\_

User Name: \_\_\_\_\_

Password: \_\_\_\_\_

APPLY

❶ **DDNS Disable** - If it is selected, the DDNS service does not work.

❷ **Public DDNS** - To use public DDNS service, select a site address listed on the list. After filling out the Host Name of the site the setup is completed by entering the username and password registered in that DDNS site.

DDNS Provider

DynDNS

No-IP

⚠ If you setup DDNS properly, the IP address of your camera will be updated automatically whenever the IP address is changed or the system is rebooted.

⚠ If IP updating to the DDNS site is failed, the camera will keep retrying in 1min. interval.

❸ Click 'Apply' to save all settings.

# Setup - Network Setup

## FTP Settings

---

**FTP SETTINGS**

**General Setting**  
 Off  On

**Server information**

FTP Server Address

FTP Upload Path /

FTP Port 21

User ID

Password

APPLY

To transfer/save the image to the relevant sites through FTP, then FTP needs to be setup.

- 1 **General Setting** - Enable or disable the FTP function.
- 2 **FTP Server Address** - Define FTP Server IP Address. If the IP Address form is incorrect, a message box will be shown to try again.
- 3 **FTP Upload Path** - Define a path in FTP server to store video. For the path name, English Alphabets, numbers and special characters ( / - ! @ \$ ^ ( ) \_ - { } [ ] ; , ) can be used.
- 4 **FTP Port** - Define the FTP Server Port. If the port is not appropriate, it is impossible to access to FTP Server.
- 5 **User ID** - Define User ID to access the FTP Server. Fill out the correct User ID registered in the FTP Server.
- 6 **Password** - Define Password to access the FTP Server. Fill out the correct Password registered in the FTP Server.
- 7 Click 'Apply' to save all settings.  
☒ Refer to the above image for example.

# Setup - Network Setup

## SMTP Settings

---

The screenshot shows the 'SMTP SETTINGS' configuration page. It is divided into three main sections: 'General Setting', 'Account information', and 'Mail Contents'.  
1. 'General Setting' has a radio button for 'Off' (selected) and 'On'.  
2. 'Account information' has a 'Mode' section with radio buttons for 'PLAIN' (selected) and 'SSL/TLS'.  
3. Below 'Mode' are input fields for 'SMTP Server Address', 'PORT' (with '25' entered), 'User ID', 'Password', 'E-Mail Sender', and 'E-Mail Receiver'.  
4. 'Mail Contents' has a 'Title' input field and a larger 'Message' text area.  
5. Below the 'Message' field is a checkbox labeled 'Contains detailed event information'.  
6. At the bottom are two orange buttons: 'TEST' and 'APPLY'.  
Numbered callouts 1 through 11 point to these specific elements.

To send/save the image to the relevant sites by Email, SMTP needs to be setup.

- 1 **General Setting** - Enable or disable the SMTP function.
- 2 **Mode** - Select the security mode of SMTP from Plain or SSL / TLS. After checking the account setup of your SMTP Server, you may select one.
- 3 **SMTP Server Address** - Define the SMTP Server Address. If the IP Address form is incorrect, a message box will be shown to try again.
- 4 **Port** - Define the Port used in the Plain or SSL / TLS security mode in the above.
- 5 **User ID** - Define the User ID to access the SMTP Server. Fill out the correct User ID registered in the SMTP Server.
- 6 **Password** - Define the Password to access the SMTP Server. Fill out the correct Password registered in the SMTP Server.
- 7 **E-Mail Sender** - Define the e-mail address of the E-Mail Sender. It will be displayed as the sender when the camera sends an E-mail.
- 8 **E-Mail Receiver** - Define the e-mail address of the E-Mail Receiver. It will be displayed as the Receiver when the camera sends an E-mail.
- 9 **Title** - Define the title of the E-Mail when the camera sends an E-mail.  
⚠ The title of the Email is limited to 40 characters including the spaces.
- 10 **Message** - Define the contents of E-Mail when the camera sends an E-mail. The message of the E-mail is limited to 40 characters including the spaces.
- 11 Click 'TEST' to send a test message 'APPLY' to save all settings.



# Setup - Network Setup

## SNMP Settings

---

The screenshot shows the 'SNMP SETTINGS' configuration page. It is divided into two main sections: 'SNMP v1/v2c' and 'SNMP v3'.  
1. In the 'SNMP v1/v2c' section, there are radio buttons for 'SNMPv1' and 'SNMPv2c', both currently set to 'Off'. Below these are text input fields for 'Read Community' (containing 'public') and 'Write Community' (containing 'private').  
2. There is a radio button for 'SnmTrap' set to 'Off', and a text input field for 'TrapAddress' (containing '0.0.0.0') and another for 'TrapCommunity' (containing 'public').  
3. In the 'SNMP v3' section, there is a dropdown menu for 'Mode' set to 'Read'.  
4. Below that is a radio button for 'Activation' set to 'Off'.  
5. There is a text input field for 'Read Name' containing 'root'.  
6. There is a dropdown menu for 'Security Level' set to 'no auth, no priv'.  
7. There is a dropdown menu for 'Authentication Algorithm' set to 'MD5'.  
8. There is a text input field for 'Authentication Password' which is currently empty.  
9. At the bottom right of the form is an orange 'APPLY' button.

1 **SNMPv1/SNMPv2** - Select the SNMPv1/SNMPv2 option and type the names of Read and Write communities.

**SNMP trap can be used to check periodically for operational thresholds or failures that are defined in the MIB.**

2 **SNMP Trap** - Enable or disable the SNMP trap.

**SNMPv3 contains cryptographic security, a higher security level, which allows you to set the Authentication password and the Encryption password.**

3 **Mode** - Select either Read or Read/Write mode.

4 **Activation** - Select mode to enable or disable.

5 **Read/Write name** - Define Read name and Write name.

6 **Security Level** - Select one of no auth, no priv/auth, priv.

7 **Authentication Algorithm** - Select MD5 or SHA as the authentication method.

8 **Authentication Password** - The Authentication Password is encryption for authentication and is between 8 to 30 digits long.

9 Click 'Apply' to save all settings.

# Setup - Network Setup

## RTSP Information

---

The screenshot shows the 'RTSP INFORMATION' configuration page. It is divided into several sections: 'RTSP Global Setting' with a 'Target Stream' dropdown set to 'Main Stream'; 'Session Timeout' with a 'Time Out' input set to 0 and a checkbox for '[ Default: Off, 30~120 ]'; 'QoS Setting' with a 'DSCP' input set to 0 and a range of '[ 0~255 ]'; and 'Rtp Multicast' with a 'MULTICAST' section containing radio buttons for 'Stop' (selected) and 'Start', and input fields for 'IP' (0.0.0.0), 'PORT' (0, range [1024~60000]), and 'TTL' (0, range [1~255]). Below these is an orange 'APPLY' button. At the bottom, there is a table with two rows of RTSP connection information.

| No | Remote IP | Port  | Type |
|----|-----------|-------|------|
| 1  | 127.0.0.1 | 44570 | UDP  |
| 2  | 127.0.0.1 | 44554 | UDP  |

- 1 **Target Stream** - Select the stream you want to set.
- 2 **Time out** - Set the RTSP time out.
  - ⊠ The session is disconnected after the specified time-out.
- 3 **QoS Setting** - Set the quality of service to ensure data transfer performance.
- 4 **RTP Multicast** - Check RTP Multicast Start/Stop. To activate RTP Multicast.
  1. Click the “On” button.
  2. Enter accessible RTP Multicast IP, the port for video stream control, RTP packet TTL.
  3. Click the “Apply” button.
  - ⊠ It is possible to set each RTP Multicast for CH1-3.
- 5 Click ‘Apply’ to save all settings.
  - ⊠ Click this button when completed setup each channel.
- 6 It shows RTSP Connection information.

# Setup - Trigger Action Setup

## Action Rules Configuration

---

**ACTION RULES CONFIGURATION**

**Action Rules**

| Name   | Reserve Action | Action |
|--------|----------------|--------|
| SMTP   | 1 / 5          | SMTP   |
| FTP    | 1 / 5          | FTP    |
| RECORD | 1 / 5          | RECORD |

ADD      MODIFY      DELETE

- 1 **Action rules List** - It indicates the custom action rule information added to the Action rules list.
- 2 Click 'Add' to add custom action rules.
  - ☒ Click 'Modify' to modify selected items from the action rules list.
  - ☒ Click 'Delete' to delete selected items from the action rules list.

# Setup - Trigger Action Setup Action Rules Add/Modify

---

The screenshot shows a form titled "ACTION RULES CONFIGURATION". It has a "General Setting" section with a "Name" field containing "NewAction". Below this are five "Action" fields (Action1 to Action5), each with a dropdown menu currently set to "NONE". At the bottom are two orange buttons: "SAVE" and "CANCEL". Three numbered callouts point to the Name field (1), the Action dropdowns (2), and the SAVE button (3).

- 1 **Name** - Define the name of the action rules.
  - ⊠ Input text cannot exceed the limit (3-15 characters).
- 2 **Action1 ~ Action5** - Select the action to take If the event occurs.
- 3 Click 'Save' to save all settings.
  - ⊠ Click 'Cancel' to return to the previous menu.

# Setup - Trigger Action Setup

## Image Transfer Configuration

---

### IMAGE TRANSFER CONFIGURATION

1. Add the FTP/SMTP action in the event rules menu.  
2. When an event occurs, the images will be sent to ftp/smtp address .  
3. Determine the image transfer speed and the duration of image transfer after/before an event.

1 → **Pre/Post Alarm Image**

|                      |                                 |   |
|----------------------|---------------------------------|---|
| Number Of Image      | <input type="text" value="2"/>  | Image Per Seconds(s) [ 1 ~ 5 ]                                  |
| Pre-Alarm Duration   | <input type="text" value="3"/>  | Second(s) [ 1 ~ 5 ]   |
| Post-Alarm Duration  | <input type="text" value="3"/>  | Second(s) [ 1 ~ 30 ]  |
| Max. Number Of Image | <input type="text" value="30"/> | <input type="checkbox"/> [ Default: Off, 5 ~ 1000 ] (SMTP Only) |

2 → **APPLY**

- 1 **Pre/Post Alarm Image** - Image Transfer due to event is configured by setting the image transfer rate and Pre/Post alarm duration.

|                     | Descriptions   |
|---------------------|--|
| Number of Images    | Define the number of images transferred per second.        |
| Pre-alarm Duration  | Define the duration of the image transfer before an event. |
| Post-alarm Duration | Define the duration of the image transfer after an event.  |

- 2 Click 'Apply' to save all settings.

# Setup - Trigger Action Setup Relay Out Configuration

---

The screenshot shows a configuration window titled "RELAYOUT CONFIGURATION". It contains the following fields and options:

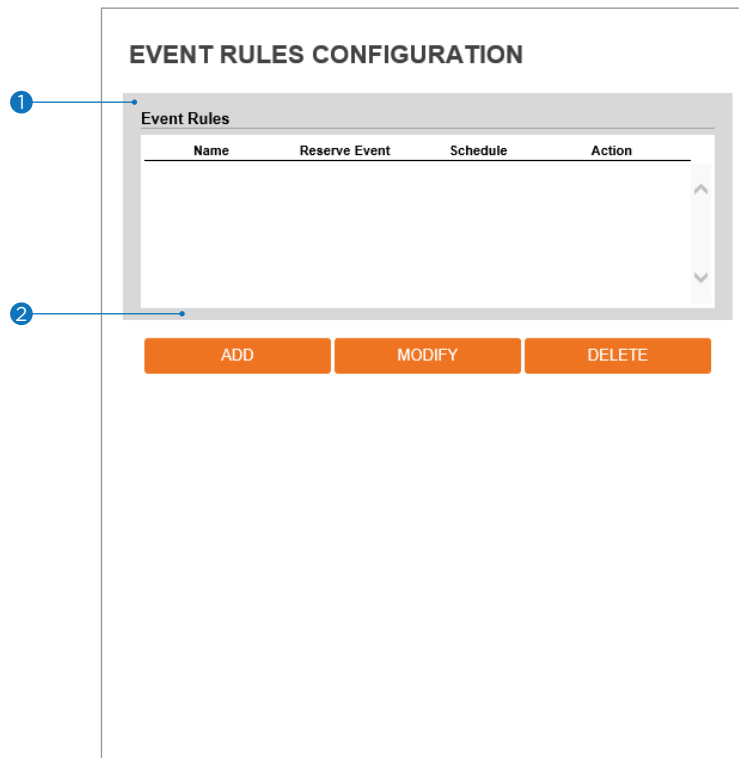
- 1** Relay Output: A dropdown menu showing "01".
- 2** Mode: Radio buttons for "Monostable" (selected) and "Bistable".
- 3** Idle State: Radio buttons for "Closed" (selected) and "Open".
- 4** Duration: A numeric input field with "1" and a unit label "Second(s) [ 1 ~ 30 ]".
- 5** APPLY: An orange button at the bottom.

- 1 Relay Output** - Select the Relay output.
  - ⚠ The number of relay outputs available depends on the camera model.
- 2 Mode** - Select the monostable/bistable for relay mode.
- 3 Idle State** - Select whether the contact is normally opened or is closed.
- 4 Duration** - Relay out is operated during the setting time.
  - ⚠ In monostable mode, this function must be set up.
- 5** Click 'Apply' to save all changes.

# Setup - Event Setup

## Event Rules Configuration

---



- 1 **Event Rules List** - It indicates the custom Event Rule information added to the Event Rules list.
- 2 Click 'Add' to add custom event rules.
  - ⊠ Click 'Modify' to modify selected items from the event rules list.
  - ⊠ Click 'Delete' to delete selected items from the event rules list.

# Setup - Event Setup

## Event Rules Configuration

**VIDEO CONFIGURATION**

| Stream | Codec  | Description |
|--------|--------|-------------|
| 1      | H.264  | channel1    |
| 2      | H.264  | channel2    |
| 3      | M-JPEG | channel3    |

**Codec**

Codec: H.264  
Description: channel1  
Resolution: 3840x2160  
Frame Rate(FPS): 30  
GOP: 30 [ 1 - 120 ]  
Profile: High  
Bitrate Mode: CBR  
Target Bitrate: 5120 [ 1Mbps ~ 25Mbps ]  
Quality: 5 [ 1 - 10 ]  
Smart Bitrate Control: Off  
Extension Option: Off

APPLY

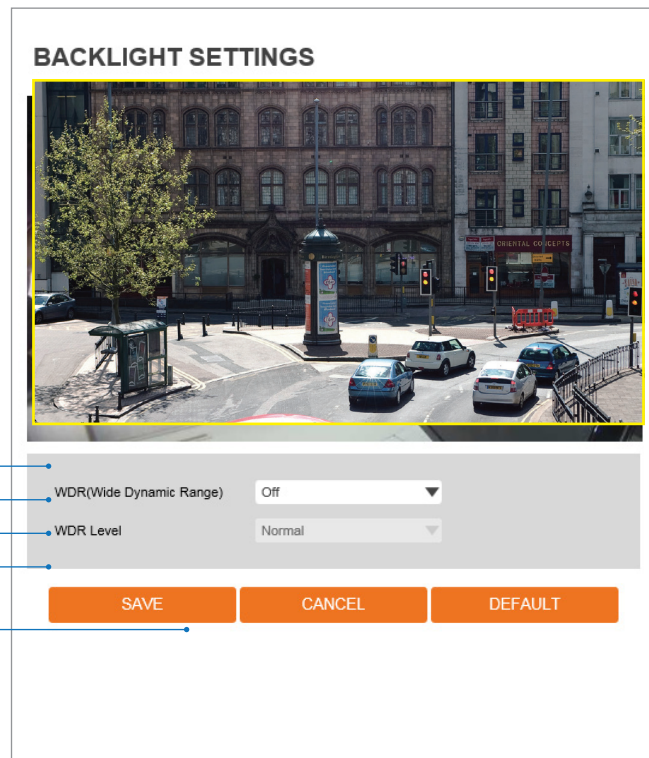
- 1 Name** - Define the Event rule name.
- 2 Event** - Select the event among motion detection, network disconnection, illegal login detected, temperature critical, schedule, sensor detection.
  - ⊠ Click 'Cancel' to return to the previous setting.
  - ⊠ You need at least one event.
- 3 Rules** - Select the action rule defined in the Trigger Action-Action rule menu.
- 4** Click 'Save' to save the current settings.
  - ⊠ Click 'Cancel' to return to the previous setting.



# Setup - Event Setup

## Motion Detection Configuration

---



- 1 Motion Detection** - It shows the Motion event status.
  - ☒ Event Alert Icon(🚨) appears if 'Motion Detection' is activated.
- 2 Area** - Set the motion detected area. Click in the display window to draw the motion area.
  - ☒ You can set up to four areas.
- 3 Activation** - Enable or Disable motion detection function.
- 4 Sensitivity** - Define the sensitivity of motion detection.

If a high value is selected, it will detect very small motion while it becomes relatively insensitive when a low value is selected.
- 5** Click 'Save' to save all settings.
  - ☒ Click 'Cancel' to return to the previous setting.

# Setup - Event Setup Temperature

---

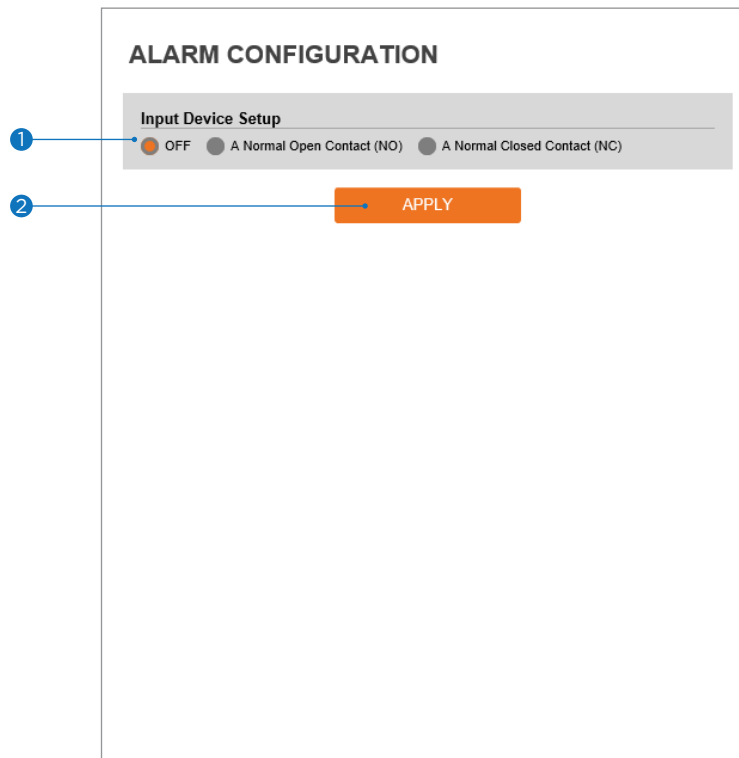
The screenshot shows a web interface titled "TEMPERATURE" with a "General Setting" section. It contains three input fields: "Mode" (a dropdown menu set to "Fahrenheit"), "Threshold" (a text input with "150" and a range "[ 122 ~ 212 ]"), and "Temperature" (a text input with "115 °F"). An orange "APPLY" button is located below these fields. Four numbered callouts (1-4) point to the Mode dropdown, the Threshold input, the Temperature input, and the APPLY button, respectively.

- 1 **Mode** - Select Fahrenheit or Celsius.
- 2 **Threshold** - Define the temperature at which the event trigger occurs.
- 3 **Temperature** - It indicates the current temperature of the IP camera.
- 4 Click 'Apply' to save all settings.

# Setup - Event Setup

## Alarm Configuration

---



- 1 **Input Device Setup** - Select input device type from OFF / N.O. / N.C.

|     | Operation   |
|-----|---|
| OFF | Ignore this input sensor.                               |
| NO  | The contact is normally open and closed when activated. |
| NC  | The contact is normally closed and open when activated. |

- 2 Click 'Apply' to save all changes.

# Setup - Record Setup

## Record Management

---

The screenshot shows the 'RECORD MANAGEMENT' interface. It is divided into two main sections: 'Record Global Setting' and 'RECORDING LIST'. In the 'Record Global Setting' section, there is a 'Target Stream' dropdown menu currently set to 'NONE'. Below this is an orange 'SAVE' button. The 'RECORDING LIST' section contains a table with the following data:

| Name    | Enabled | File Type | Storage  | Continuous |
|---------|---------|-----------|----------|------------|
| RECORD0 | X       | MP4       | STORAGE1 | Off        |
| RECORD1 | X       | MP4       | STORAGE1 | Off        |

Below the table is an orange 'MODIFY' button. Four numbered callouts (1-4) point to the 'Target Stream' dropdown, the 'SAVE' button, the 'RECORDING LIST' section, and the 'MODIFY' button respectively.

- 1 **Target Stream** - Select the channel you want to record video.
- 2 Click 'Save' to save the current settings.
- 3 **Recording List** - Display the information about the recording settings.
- 4 Click 'Modify' to modify the selected item in the recording list.

# Setup - Record Setup

## Record Configuration

---

The screenshot shows a 'RECORD MANAGEMENT' dialog box with a 'Record Settings' section. The settings are as follows:

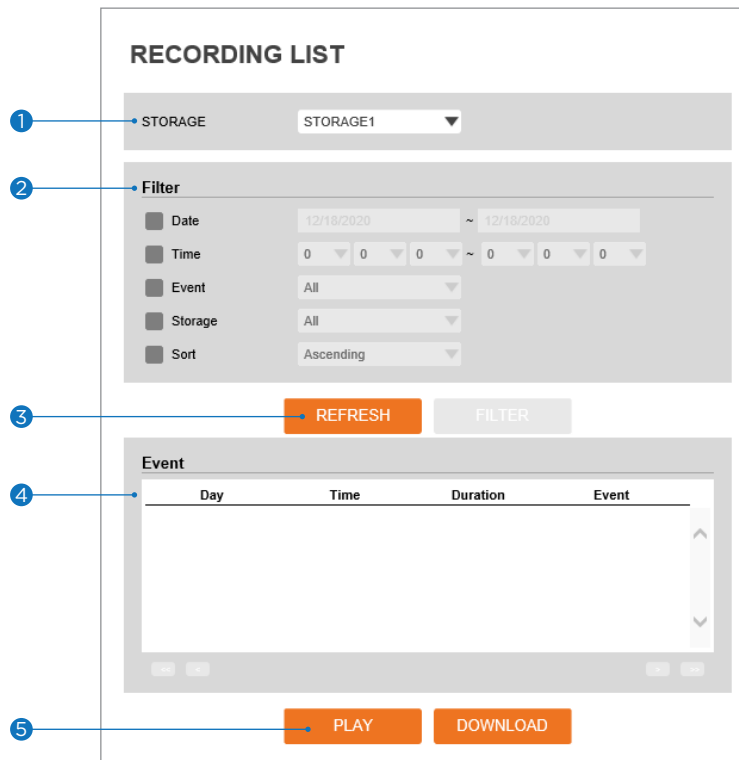
- 1. **Enabled**: Radio buttons for 'Off' (selected) and 'On'.
- 2. **Storage Device**: Dropdown menu showing 'SDCard 1'.
- 3. **File Type**: Dropdown menu showing 'MP4'.
- 4. **Storage**: Dropdown menu showing 'SDCard'.
- 5. **Continuous**: Radio buttons for 'Off' (selected) and 'On'.
- 6. **Pre Duration**: Input field with '5' and a range '[ 0 ~ 5 ]'.
- 7. **Post Duration**: Input field with '5' and a range '[ 1 ~ 240 ]'.
- 8. **SAVE** and **CANCEL** buttons.

- 1 **Enabled** - Enable or disable this function.
- 2 **Storage Device** - This option shows the SD card currently mounted on the camera.
- 3 **File Type** - Select the recording file type.
  - ⊠ Currently, the camera supports MP4 file type.
- 4 **Storage** - Select the storage type. SD Card (Disabled) selection is not allowed.
- 5 **Continuous** - If continuous mode is enabled, the camera will start recording automatically.
- 6 **Pre Duration** - Define the duration of recording before an event.
- 7 **Post Duration** - Define the duration of image transfer after an event.
- 8 Click 'Save' to save the current settings.
  - ⊠ Click 'Cancel' to return to the previous setting.

# Setup - Record Setup

## Recording List

---



- 1 **Storage** - Select the Storage from the available options.
- 2 **Filter** - Select the date/time, event, sort, or storage format to filter the recorded video results.
- 3 Click the 'Refresh' button to refresh the search results as needed.
  - ☒ Click 'Filter' to view the filtered recorded video.
- 4 **Recording List** - Display the information of the recorded video.
- 5 Click 'Play' to view the selected item in the list of the recorded video results.
  - ☒ Click 'Download' to download the selected item.
  - When you click 'Download', the following window appears.
  - When downloading, please fill up the purpose of the file download. The field is limited to 30 characters. (This information will be shown on the Log page with the download time).

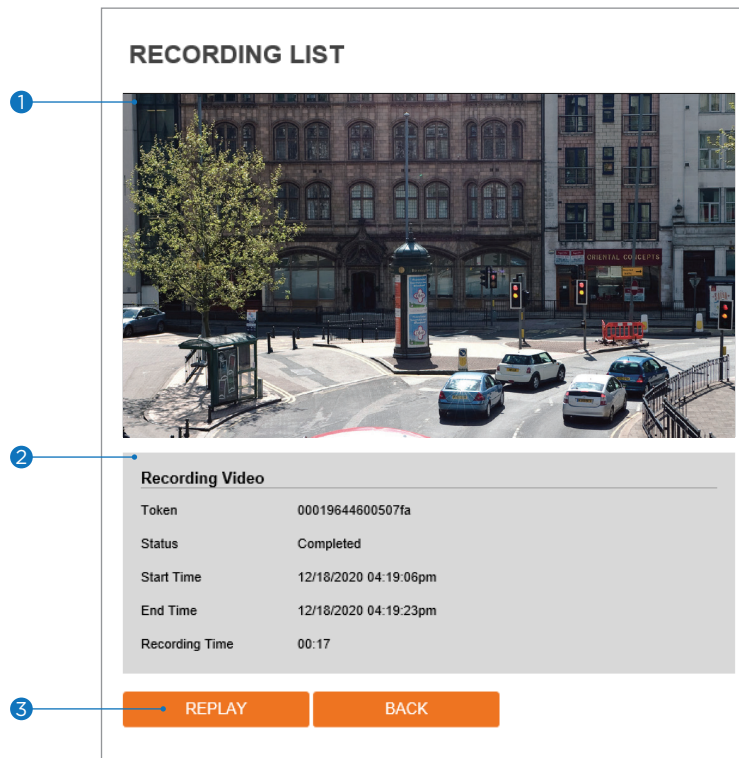
Input the purpose of the file download (max: 32 characters)

OK Cancel

- ☒ When playing back recorded MP4 files with H.265 (HEVC) codec, the video may not play due to a performance issue of the VLC plug-in.

# Setup - Record Setup Recording Video

---



- 1 **Recording Video Viewer** - Play the recorded video.
- 2 **Recording Video Information** - Display information about the recorded video.
- 3 Click 'Replay' to view the recorded video again.
  - Click 'Back' to return to the previous menu.

# Setup - Record Setup

## Storage Configuration

---

### STORAGE CONFIGURATION

**Notice**

1. If SD Card does not automatically mount, you must format for mounting SD card.

#### Storage List

| Name    | Mounted | Size   | Used(%) | Available |
|---------|---------|--------|---------|-----------|
| SDCard1 | 0       | 59.6GB | 0%      | 59.6GB    |

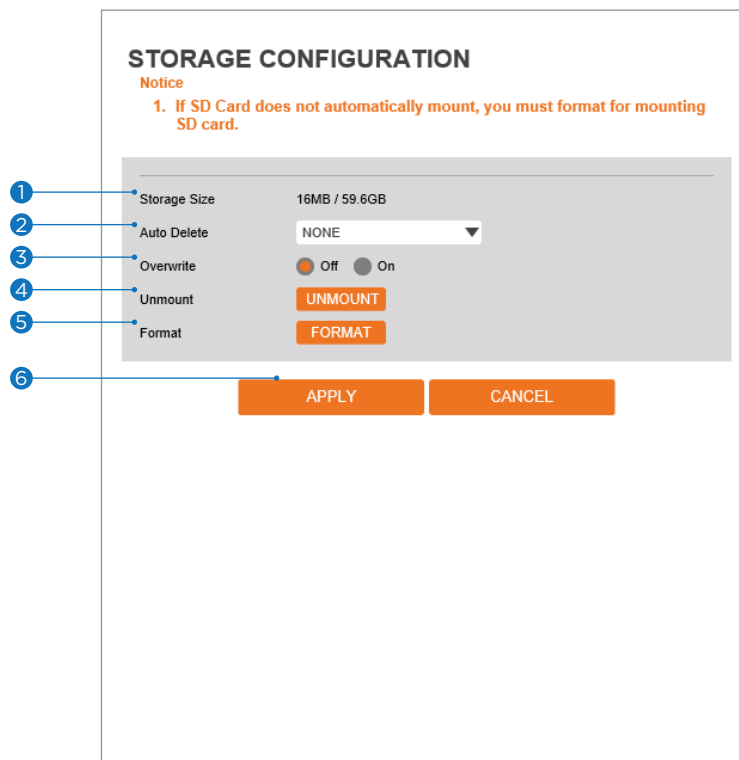
### Display the SD card information mounted on the device.

- ☒ Select an item from the Storage List to configure its related functions.



# Setup - Record Setup Storage Configuration

---



- 1 **Storage Size** - Total capacity of SD card and the remainder of it are displayed.
- 2 **Auto Delete** - Select the period for auto delete. The data stored before the set period will be deleted automatically.
  - ☒ Delete all stored images older than the selected time.
- 3 **Overwrite** - If ON is selected, once the SD card has less than 8MB storage available, new data will start to overwrite the oldest data. If OFF is selected, once the SD card has less than 8MB available, the camera will stop recording to the SD card.
- 4 **Unmount** - Remove the SD card from the device.
- 5 **Format** - Delete all contents stored on the SD card.
- 6 Click 'Apply' to save all settings.
  - ☒ Click 'Cancel' to return to the previous setting.

# Setup - Security Setup

## IP Address Filter Configuration

---

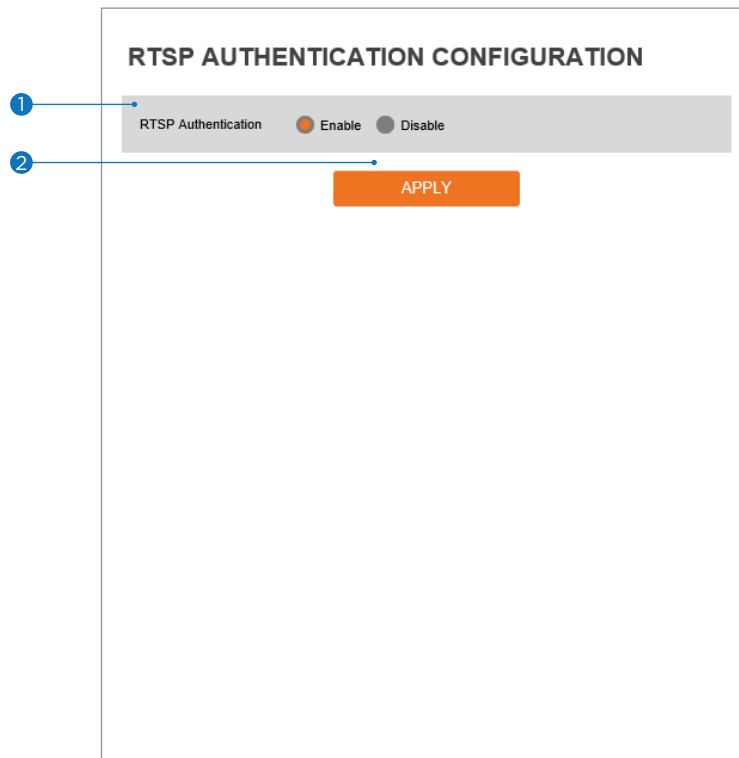
The screenshot shows the 'IP ADDRESS FILTER CONFIGURATION' interface. It is divided into two main sections: 'General Setting' and 'Filtered IP Address'.  
1. In the 'General Setting' section, there is a toggle for 'IP Address Filter' (currently set to 'Off') and a dropdown menu for 'IP Filter Type' (currently set to 'Allow').  
2. Below the 'General Setting' section is an orange 'APPLY' button.  
3. The 'Filtered IP Address' section contains a large, empty text area for displaying filtered IP addresses.  
4. Below the 'Filtered IP Address' section is an input field for 'IP Address' with a placeholder '[ Invalid ]'.  
5. At the bottom of the interface are two orange buttons: 'ADD' and 'REMOVE'.

- 1 **IP Address Filter** - Enable or disable this function.
- 2 **IP Filter Type** - Select the recording IP filter type.
- 3 Click 'Apply' to save all settings.
- 4 **Filter IP Address** - Display the filtered IP address.
- 5 **IP Address** - Define the IP address you want to apply the IP filter.
- 6 Click 'Add' to add the IP address to the list.
  - ⌘ Click 'Remove' to remove the IP address selected in the list.

# Setup - Security Setup

## RTSP Authentication Configuration

---



- 1 **RTSP Authentication** - Enable or disable the RTSP authentication.
- 2 Click 'Apply' to save all settings.

# Setup - Security Setup

## IEEE 802.1X Configuration

---

The screenshot shows the 'IEEE 802.1X CONFIGURATION' page. It features a 'General Setting' section with the following fields and controls:

- 1. IEEE 802.1x: A radio button control with 'On' selected and 'Off' unselected.
- 2. Protocol: A dropdown menu currently set to 'MD5'.
- 3. EAPOL Version: A dropdown menu currently set to '1'.
- 4. ID: A text input field.
- 5. Password: A text input field.
- 6. Retype Password: A text input field.
- 7. CA Certificate: A dropdown menu currently set to 'NONE'.
- 8. Certificate: A dropdown menu currently set to 'NONE'.
- 9. APPLY: An orange button at the bottom of the form.

The feature is needed when connecting the camera to the network protected by the IEEE 802.1X.

- 1 **IEEE 802.1x** - Enable or disable the IEEE 802.1x feature.
- 2 **Protocol**
  - MD5: It provides one-way password-based network authentication of the client.
  - PEAP: It is similar to TTLS in that it does not require a certificate on the client side.
  - TTLS/MD5: It does not require a certificate on the client side.
  - TLS: It relies on client-side and server-side certificates to perform authentication.
- 3 **EAPOL Version** - Select the EAPOL Version.
- 4 **ID** - Type the ID to identify the client in the IEEE 802.1X authentication server.
- 5 **Password** - Type the Password to identify the client in the IEEE 802.1X authentication server.
- 6 **Verify** - Verify Password.
- 7 **CA Certificate** - Select the CA certificate required for TLS, TTLS, and PEAP authentication.
- 8 **Certificate** - Select the client certificate required for TLS authentication
- 9 Click 'Apply' to save all settings.

# Setup - Security Setup

## HTTPS Configuration

---

The screenshot shows the 'HTTPS CONFIGURATION' interface. At the top, there is a note: '1. If no certificates are available go to certificates to manage.' Below this, there are two main sections: 'Certificates' and 'HTTPS connection Policy'. The 'Certificates' section has a 'Certificate' dropdown menu currently set to 'NONE'. The 'HTTPS connection Policy' section has three dropdown menus: 'WEB' set to 'HTTP and HTTPS', 'ONVIF' set to 'HTTP', and 'RTSP OVER HTTP' set to 'HTTP'. At the bottom of the configuration area is an orange 'APPLY' button. Three numbered callouts (1, 2, and 3) are on the left side of the interface. Callout 1 points to the 'Certificate' dropdown. Callout 2 points to the 'ONVIF' dropdown. Callout 3 points to the 'APPLY' button.

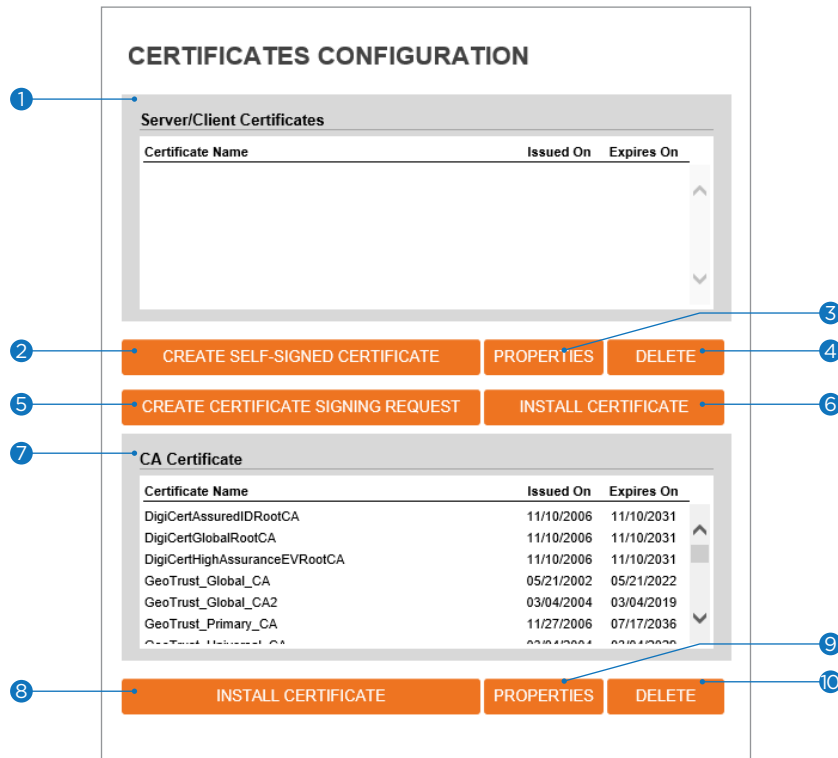
**HTTPS encrypts session data over SSL or TLS protocols instead of using plain text in socket communications.**

- 1 Certificate** - Select an installed certificate.
  - ⊠ If you cannot select a certificate, please install the certificate from the Security->Certificates menu.
- 2 HTTPS connection Policy** - Select one of "HTTP", "HTTPS", "HTTP and HTTPS" depending on the connected web, ONVIF, RTSP over HTTP.
  - WEB: "HTTP" "HTTPS" "HTTP and HTTPS"
  - ONVIF, RTSP OVER HTTP: "HTTP" "HTTPS" "HTTP and HTTPS"
- 3** Click 'Apply' to save all settings.
  - ⊠ When HTTPS mode is chosen, input `https://<IP Address>` to connect to the camera.

# Setup - Security Setup

## Certificates Configuration

---



- 1 **Server/Client Certificates** - Shows the installed certificates.
- 2 **Create Self-Signed Certificate** - A self-signed SSL certificate is an identity certificate signed by its creator. But they are considered to be less trustworthy.
- 3 **Properties** - Shows information about the selected certificate.
- 4 **Delete** - Delete the selected certificate.
- 5 **Create a Certificate signing request** - This is the encoded data that contains the necessary information for issuing the certificate.
  - ⚠ They must be filled in when creating the CSR (Certificate Signing Request).
- 6 **Install Certificate** - Install Certification
- 7 **CA Certificate** - Shows the installed CA certificates.
- 8 **Install CA Certificate** - Install Certification, see the detail page.
- 9 **Properties** - Shows information about the selected certificate.
- 10 **Delete** - Delete the selected CA certificate.

# Setup - Security Setup

## Certificates Configuration

---

The screenshot shows a 'CERTIFICATES CONFIGURATION' dialog box with three main sections:

- Create Self-Signed Certificate:** Fields for Certificate Name, Expires On (mm/dd/yyyy, ~01/18/2038), Country (US), State Or Province, Locality, Organization, Organization Unit, Common Name (192.168.1.14), RSA (4096), SHA (256), Alternative Hostname1, Alternative Hostname2, and Alternative IP. Includes OK and CANCEL buttons.
- Install Certificate:** Radio buttons for 'Certificate From Signing Request' (selected) and 'Certificate And Private Key'. Fields for Certificate Name and Certificate File (with a 'Select File' button). Includes OK and CANCEL buttons. Numbered callouts 1-6 point to these elements.
- Install CA Certificate:** Fields for Certificate Name and Certificate File (with a 'Select File' button'). Includes OK and CANCEL buttons. Numbered callouts 7-10 point to these elements.

### Detail for Install Certification.

- 1 **Certificate From Signing Request** - Select to install a signed certificate returned from the CA.
- 2 **Certificate And Private Key** - Select to install Certificate And Private Key to install a certificate and private key.
- 3 **Certificate Name** - Enter a unique name to identify a certificate.
- 4 **Select File** - Choose the certification file.
- 5 **OK** - Request installing a certificate.
- 6 **Cancel** - Cancel install certificate and then back to certificates configuration.

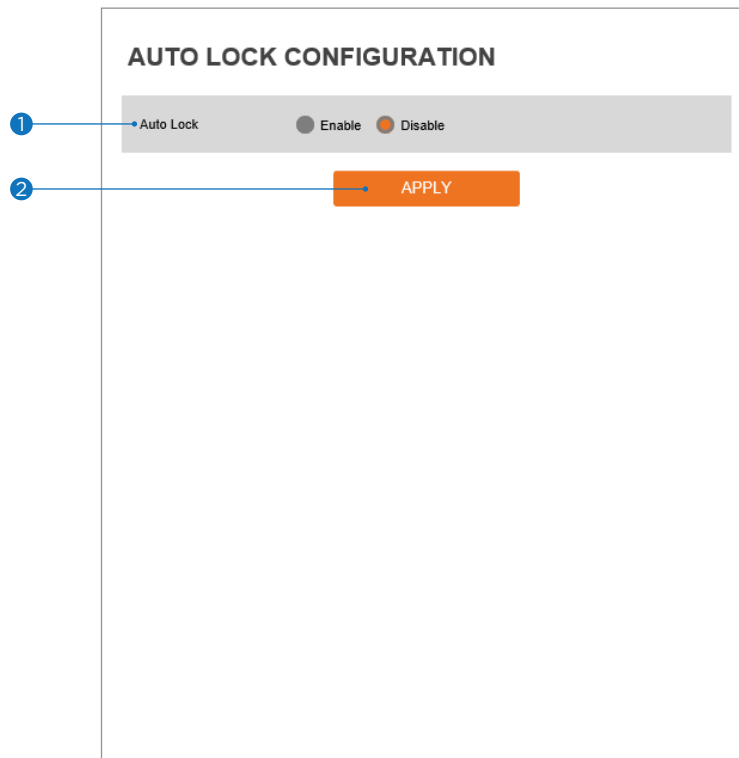
### Detail for Install CA Certification.

- 7 **Certificate Name** - Enter a unique name to identify CA certificate.
- 8 **Select File** - Choose a CA certification file
- 9 **OK** - Request installing a CA certificate.
- 10 **Cancel** - Cancel installing a CA certificate and then back to certificates configuration.

# Setup - Security Setup

## Auto Lock

---



- 1 **Auto Lock** - Enable or disable the Auto Lock function. When enabled, the system will lock itself for five (5) minutes after three (3) failed login attempts.
- 2 Click 'Apply' to save all settings.



# Setup - System Setup

## System Information

---

**SYSTEM INFORMATION**

1 Device Name IP-Camera

2 Location unknown

3 APPLY

|                     |             |
|---------------------|-------------|
| Model Name          | NDE1-SLHH8  |
| Manufacturer        | IPNC        |
| Max Resolution      | 3840 x 2160 |
| Max Framerate       | 30 fps      |
| Photo Resistor(CDS) | SUPPORT     |
| Alarm In            | SUPPORT     |
| Relay out           | SUPPORT     |
| Audio               | SUPPORT     |
| Optical Zoom        | NOT SUPPORT |
| Digital Zoom        | NOT SUPPORT |
| PTZ                 | NOT SUPPORT |

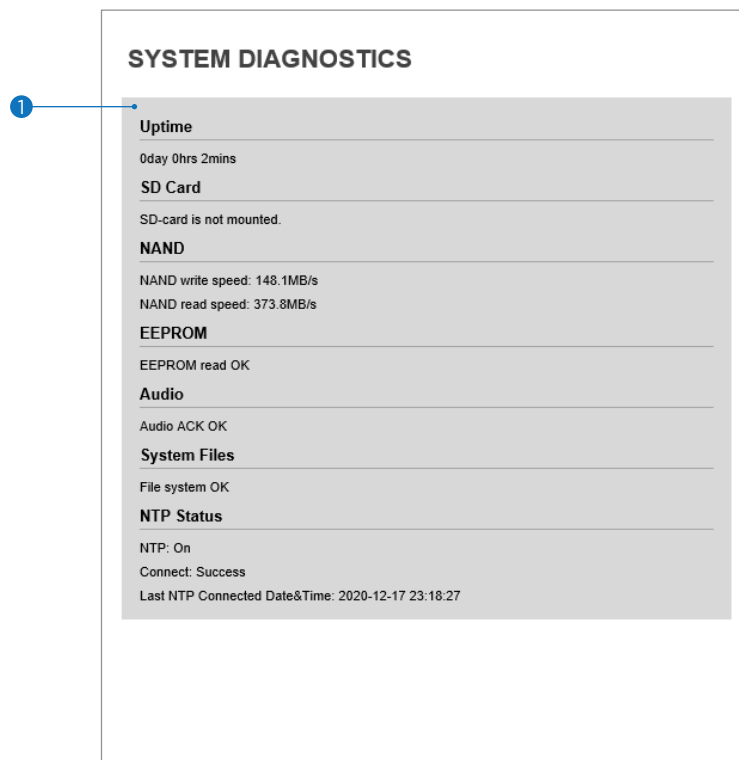
### System Capability information.

- 1 **Device Name** - You can define the device name.
- 2 **Location** - You can define the device's location.
- 3 Click 'Apply' to save all settings.

# Setup - System Setup

## System Diagnostics

---



**Shows basic hardware functions after inspection.**

① Shows Uptime, SD card, NAND, EEPROM, Audio chip, Important file system, and NTP Status.

**⚠ Warning:**

If the camera is abnormally terminated, a download button will appear on the diagnostics page to download a file that allows you to check the error information you can.



# Setup - System Setup

## Configuration Backup

---

**CONFIGURATION BACKUP**

1 Mode  Download  Upload

2 Backup Key

APPLY

Use this page to import or export the camera settings.

- 1 Select to download or upload camera settings.
  - ⚠ The following settings are NOT included in the backup files: Network (except RTSP information), System > user management, PTZ settings (on PTZ models).
  - ⚠ Download: save the camera's current settings. Check the box next to 'Download', enter a backup key and click APPLY. The backup key can be of any value. Remember the backup key, it will be required when uploading the file.
  - ⚠ Upload: upload configuration settings from another camera. Check the box next to 'Upload'. Enter the backup key for the configuration backup. Click 'Select File' to locate the configuration backup file and select it on your computer. The file name and upload status will appear. Click 'Apply' to start the upload. A popup window will appear when the configuration upload is complete.

### CONFIGURATION BACKUP

Mode  Download  Upload

Backup Key

Select File

pconf\_enc.tar  
Ready to upload.

APPLY

⚠ **NOTE:**  
The configuration backup download is available when accessing the camera directly from the web browser. If accessing the camera from the DW Spectrum IPVMS client, this feature is disabled.

⚠ **Warning:**  
If the camera connection is abnormally terminated, a download button will appear on the diagnostics page to download and check the error information.

# Setup - System Setup

## Firmware Update

---

**FIRMWARE UPDATE**

1. Do not power off during update. It may cause fatal system damage.
2. If Explorer was closed abnormally or a user closed it accidentally while uploading firmware file, please try again after 30 seconds.
3. Please do not select other menus while updating firmware file.

**1** • **Version Information**

|        |                    |
|--------|--------------------|
| System | 2020.10.14_A10.2.2 |
| Camera | -                  |

**2** • **Web update**

Firmware File

**3** •

**FTP user information**

|                    |  |
|--------------------|--|
| FTP Server Address | <input type="text" value="ftp.dwcc.tv"/> |
| FTP Port           | <input type="text" value="21"/>          |
| User ID            | <input type="text" value="dwmpix"/>      |
| Password           | <input type="password" value="*****"/>   |
| FTP Upload Path    | <input type="text" value="/"/>           |

**1 Version Information** - It shows the current Firmware Version in the system.

**2 Web Update** - Select the Firmware file on your computer by clicking the [Select file] button.

**3 Start F/W Update** - Click this button to start the update. Progress of uploading will be displayed using Progress Bar. If you assign the wrong file name, an error message will be shown.

**⚠ Warning:**

1. Do not turn off the power to the camera during the firmware update. Interrupting the update may cause the system to become unstable. Once the update is completed, the system will reboot automatically.
2. Make sure to check the 'Notice' shown on the screen.  
If the firmware update is completed successfully, the camera will reboot and show the login window.

# Setup - System Setup

## Date and Time Settings

---

The screenshot shows the 'DATE&TIME SETTINGS' interface. It is divided into three main sections: 'Time Zone Setup', 'Time Format', and 'Current Date & Time'.  
1. 'Time Zone Setup' includes a 'Time Zone' dropdown menu set to '(GMT-08) Pacific Time (US & Canada), Baja California' and an 'APPLY' button.  
2. 'Time Format' includes 'Time Format' and 'Hour Clock Format' dropdown menus, with 'mm/dd/yy' and '12H' selected respectively, and an 'APPLY' button.  
3. 'Current Date & Time' shows the current date and time as '12/17/2020 11:21:01pm'. Below this is the 'New Camera Date & Time' section with three radio button options:  
4. 'Synchronize with my computer' (unselected), showing 'Date & Time' as '12/18/2020 04:21:01pm'.  
5. 'Setup manually' (unselected), showing 'Date' as '2005 01 01' and 'Time' as '00 00 00'.  
6. 'Synchronize with time server (NTP)' (selected), showing 'NTP Server' as 'pool.ntp.org'.  
7. An 'APPLY' button at the bottom of the 'Current Date & Time' section.

- 1 **TimeZone Setup** - Choose the time zone for the camera. It will be activated after clicking the 'Apply' button.  
⚠ Before setting below 'New Camera Date and Time', set the correct time zone first.
- 2 **Time Format** - Select the time format yy-mm-dd or mm/dd/yy.
- 3 **Current Date and Time** - Current date and time setting in the Camera.
- 4 **Synchronize with my computer** - Set the date/time using those of the PC currently connected.
- 5 **Setup manually** - Set the date/time by typing manually.
- 6 **Synchronize with time sever Time Zone (NTP)** - Choose the time server available to connect to the current camera. Date and Time will be updated automatically every hour when connected.
- 7 Click 'Apply' to save all settings.

# Setup - System Setup

## DST Settings

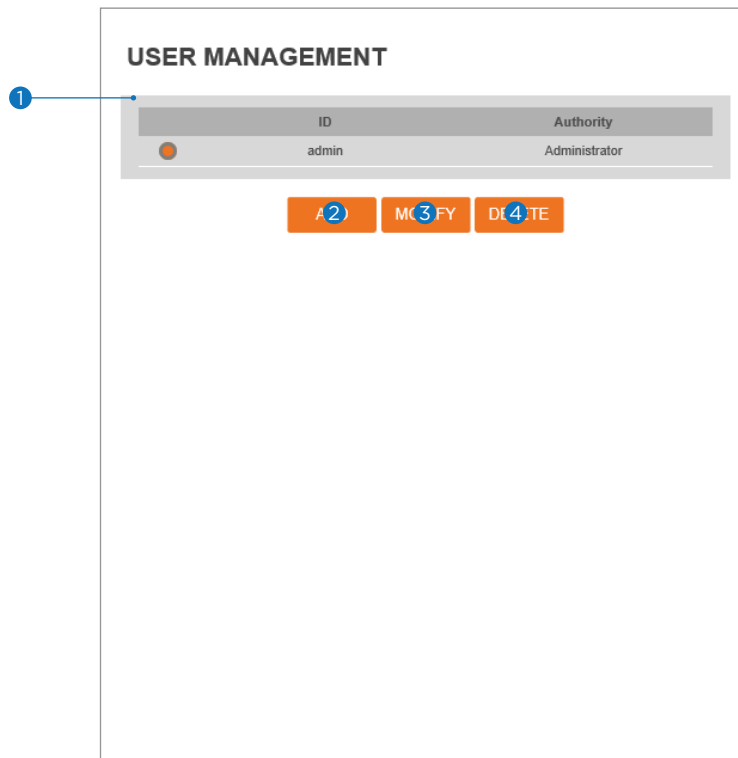
---

The screenshot shows the 'DST SETTINGS' configuration page. It is divided into two main sections: 'General Setting' and 'Date&Time Settings'. The 'General Setting' section has two radio buttons: 'Off' (unselected) and 'On' (selected). The 'Date&Time Settings' section has two rows of dropdown menus. The 'Start Time' row has dropdowns for 'Mar', 'Second', 'Sun', and '2', followed by 'o'clock'. The 'End Time' row has dropdowns for 'Nov', 'First', 'Sun', and '2', followed by 'o'clock'. Below these sections is an orange 'APPLY' button. Three blue callout boxes with numbers 1, 2, and 3 point to the 'On' radio button, the 'Date&Time Settings' section, and the 'APPLY' button, respectively.

**Daylight Saving Time (DST) is the practice of setting the clocks forward one hour from standard time during the summer months, and back again in the fall, to make better use of natural daylight.**

- 1 **General Setting** - Enable or disable the DST function.
- 2 **Date and Time Settings** - Set the start time and end time that the DST applies.
- 3 Click 'Apply' to save all settings.

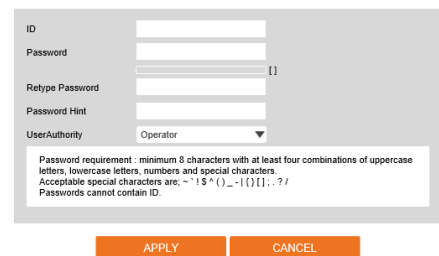
# Setup - System Setup Users Management



1 **Users** - List all the user accounts for authentication.

2 **Add** - Register a new user.

|                 |  |
|-----------------|--|
| ID              | Enter a new user ID. Admin already exists.   |
| Password        | Enter the user password. (Check the password)  |
| Retype Password | Enter the user password again for verification.  |
| Password Hint   | Enter the password hint.   |
| User Authority  | Select Operator or Viewer.<br>Viewer: Only monitoring is allowed.<br>Operator: Most of the functions are allowed except 'Setup'. |



⚠ The ID and Password are limited to 8 characters with at least two combinations of uppercase letters, lowercase letters, numbers and special characters.  
Acceptable special characters are: ~ ! \$ ^ ( ) \_ - { } [ ] ; . ? /

Click 'Save' to save all settings.

⚠ Click 'Cancel' to return to the previous menu.

3 **Modify** - Modify the information of the user accounts registered. For the admin account, only the password can be modified.

4 **Delete** - Delete the selected user account. The admin account cannot be deleted.

# Setup - System Setup

## System Log

---

**SYSTEM LOG**

**Filter**

- Date: 12/18/2020 ~ 12/18/2020
- Time: 0 : 0 ~ 0 : 0
- Type: All
- Sort: Ascending

**2** REFRESH FILTER BACKUP

**3** List

| Date & Time           | Log                       | IP           |
|-----------------------|---------------------------|--------------|
| 12/17/2020 11:21:24pm | Motion detected : 01 : On | system       |
| 12/17/2020 11:20:31pm | Motion detected : 01 : On | system       |
| 12/17/2020 11:20:09pm | Motion detected : 01 : On | system       |
| 12/17/2020 11:19:48pm | Login Success             | 192.168.4.90 |
| 12/17/2020 11:19:35pm | RTSP session connected    | 192.168.4.90 |
| 12/17/2020 11:19:34pm | Motion detected : 01 : On | system       |
| 12/17/2020 11:19:23pm | Set recording channel     | 192.168.4.90 |
| 12/17/2020 11:19:12pm | Login Success             | 192.168.4.90 |
| 12/17/2020 11:19:06pm | Motion detected : 01 : On | system       |

1 2 3 4

**1 Filter** - Select a date, time, sort, or type of log to filter the log.

**2** Click the 'Refresh' button to refresh the log list.

☒ Click 'Filter' to view the filtered log.

☒ Click 'Backup' to back up the filtered log.

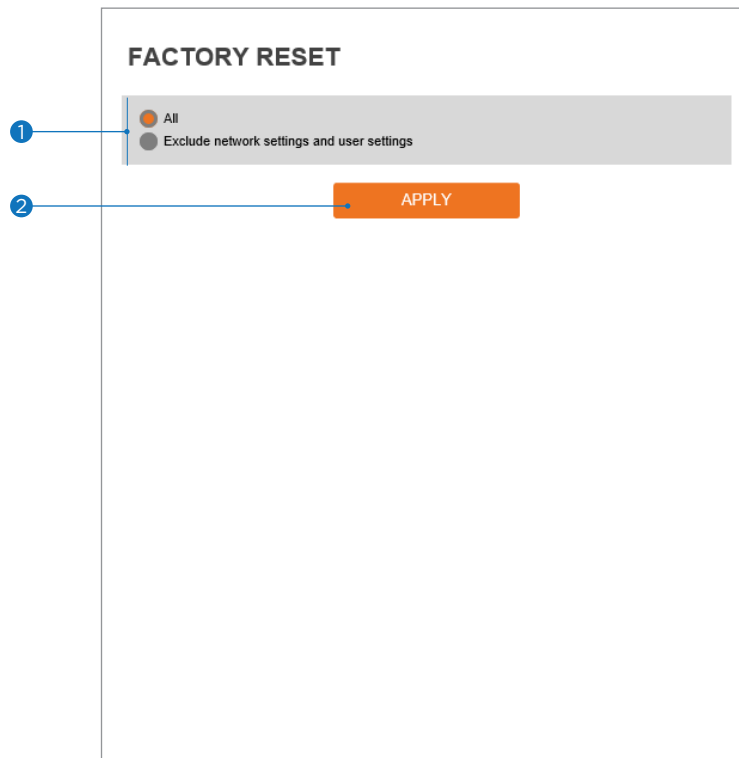
**3 System Log List** - The filtered log is displayed.



# Setup - System Setup

## Factory Reset

---



- 1 **Reset to the factory defaults** - Return the setup to the factory default.

---

**All** - Reset all Settings to the factory defaults.

---

**Except Network Settings and User Settings** - Reset all camera settings to factory default except for the network settings.

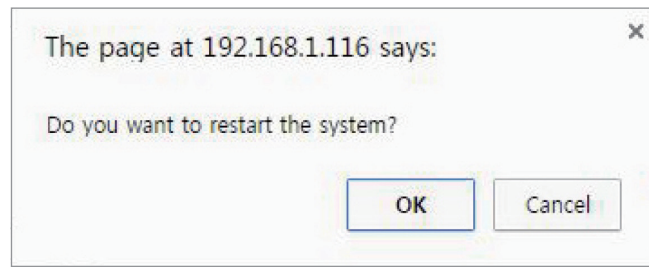
---

- 2 Click 'Apply' to save all settings.

# Setup - System Setup

## Restart

---



**If you click the 'RESTART' menu, a message box will be shown to confirm. Click the 'OK' button to restart.**

# Setup - System Setup

## System Open Source License

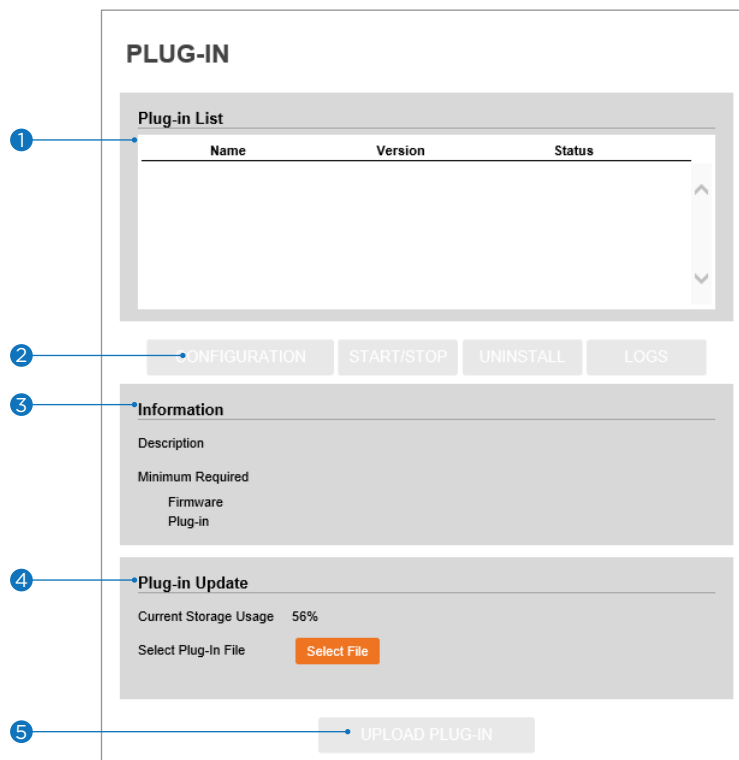
---

| Open Source Name | Version         | License                |
|------------------|-----------------|------------------------|
| busybox          | 1.32.0          | GPLv2                  |
| alsa-lib         | 1.1.6           | GPLv2.1                |
| libglib2         | 2.52.3          | LGPLv2                 |
| libgnutls        | 3.6.2           | LGPLv2.1               |
| libjson-c        | 0.13.1-20180305 | JSON License           |
| libcurl          | 7.66.0          | MIT/X derivate License |
| libffi           | 3.1             | MIT License            |
| libgcrypt        | 1.6.1           | LGPLv2.1               |
| libnl            | 3.4.0           | LGPLv2.1               |
| libogg           | 1.3.2           | BSD-style License      |
| libsamplerate    | 0.1.8           | GPLv2                  |
| libselinux       | 2.7             | Public domain          |
| libsndfile       | 1.0.27          | LGPLv2.1               |
| libssh2          | 1.9.0           | BSD                    |
| libtasn1         | 4.13            | GPLv3                  |

This menu shows a list of all the System Open Source License information in the camera, including Open Source Name, Version, License, etc.

# Setup - System Setup

## Plug-In



1 **Plug-in List** - View all plug-ins currently installed on the camera.

2 **Configuration** - Show the settings for the selected plug-in from the list.

**Start/Stop** - Start/stop the selected plug-in from the list.

**Uninstall** - Remove the selected plug-in from the list.

**Logs** - Download the log file for the selected plug-in from the list.

3 **Information** - View additional information for the plug-in selected from the list.

4 **Plug-in Update** - Once a plug-in is selected from the list, press the 'select file' button to upload a new plug-in file located on your drive.

⚠ Note the available local storage on the camera before updating a plug-in. You may need to remove some plug-ins to have enough storage for a new plug-in.

5 **Upload Plug-In** - Once a new plug-in file is selected, click the 'UPLOAD PLUG-IN' button to start the update. The Progress Bar will indicate the uploading progress.

⚠ See the MEGApix® IVA™ user manual for more information on the analytics plug-ins, settings and activation.

# Network Setup - Quick Start of Network Connection

---

## Follow the steps below to complete the initial network setup.

- i** Do not power on the IP camera until instructed.
- i** Temporarily disable any proxy servers configured in Internet Explorer.
- i** If connecting the IP camera directly to a modem, power down and reset the modem. Leave the modem powered down until the camera's configuration is complete and the IP Camera has been connected to the modem.

- 1 Connect the IP camera to the configured network.
- 2 Open the DW IP Finder on a PC on the same network as the camera and search for the camera.

- i** If you have a DHCP server, it will automatically set the camera's IP address and network settings.
- i** If you do not have a DHCP server, the camera's IP address is set by default to 192.168.1.80 after one minute. In this case, the PC's IP address must be changed to match the camera's IP address settings to be able to access the camera.

- 3 If multiple cameras are added at the same time, each camera can be identified by its mac address.
- 4 Click on the camera's IP address and connect to the web page.
- 5 Default ID/password are both: admin.
- 6 Familiarize yourself with the viewer interface.
- 7 Install VLC to display live video.
- 8 The camera's IP address settings can be set to 'STATIC' from the DW IP Finder or the camera's web viewer by going to Setup -> Network -> Network Settings.
- 9 If the IP camera is connected to a network with a router, you must have port forwarding configured on your router to access the camera from outside the network.
- 10 After configuring port forwarding on your router (if necessary), access your IP camera by opening Internet Explorer and typing the IP address and web port assigned to the IP camera.

- i** Example: <http://192.168.0.200:8888>
- i** If your web port is 80, you do not need to specify the port in the address bar to access to your IP camera.

- 11 Access your IP Camera via the Internet (from a different network from the one your camera is):

---

If you use a static IP address assigned by your ISP:

1. Open Internet Explorer.
2. Type the address of the IP camera.
3. If you use a router, enter the routers' static IP and the web port number of the IP camera.

---

If you have a dynamic address provided by your ISP

1. Open Internet Explorer and go to your DDNS website.
  2. Register the IP camera.
  3. Reboot the IP camera.
  4. Give the DDNS server 10 minutes to locate your IP camera's IP information.
  5. Click the refresh button in Internet Explorer.
  6. After your camera is connected, select your camera.
-

# Network Setup - DDNS Registration

---

**If you have a DYNAMIC IP service from your Internet Service Provider (ISP), you cannot tell the current IP address of the IP Camera. To solve this problem, you must register with our DDNS service.**

**First, you must check if you are using dynamic addressing. If so, register your IP Video Server on our DDNS website before you configure, setup, or install the IP Camera.**

**Even though your IP is not dynamic, you will benefit by registering your device with a DDNS service. In this case, just remember 'hostname.dyndns.com/gate1' instead of a complicated series of numbers like <http://201.23.4.76:8078>.**

**For more details, contact our Support Center.**

✘ To use a public DDNS called 'DynDNS' or 'no-IP', refer to the detailed information on how to use the service. (Visit: <http://www.dyndns.com> or <http://www.no-ip.com>)

# Network Setup - Guide to the Network Environment

**Please configure the IP Camera at the installation site. You must determine your network scenario to configure the IP Camera with the proper TCP/IP settings. This tutorial will guide you through the process. Before actually configuring the IP Camera, determine settings to be applied. Record those settings to be used to configure your IP Camera for reference.**

**When configuring your IP Camera, treat the IP Camera as another PC on your network. You will assign it to several addresses and other TCP/IP properties to match your current network.**

**This step-by-step tutorial will teach what IP addresses and network configurations should be assigned based on the network scenario.**

- 1 Before you begin, locate any information and settings received from your Internet Service Provider (ISP). You may need to refer to these IP addresses at a later time during the configuration.

| Current TCP/IP Settings       |  |
|-------------------------------|--|
| IP Address                    |  |
| Subnet Mask                   |  |
| Default Gateway               |  |
| Primary DNS Server            |  |
| Secondary DNS Server (Option) |  |

Static  Dynamic

**i** If you were not given any IP addresses or the ISP was responsible for the setup and installation of your Internet connection, go to step 2.

**i** If you are not using a router on your network, your 'Current TCP/IP Settings' (from the previous section) and 'Assigned IP Addresses from My ISP' will be exactly the same.

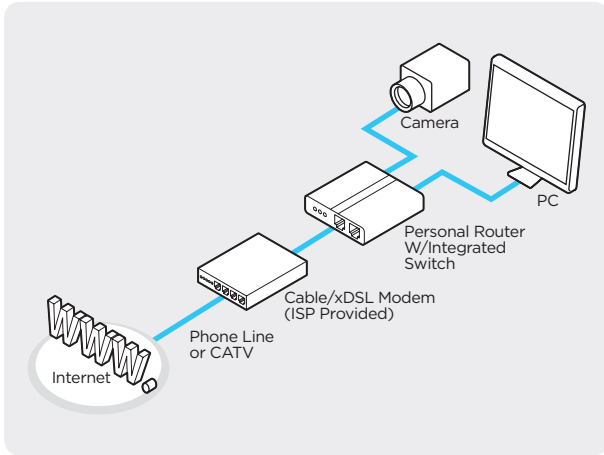
- 2 You must determine whether the IP address is STATIC or DYNAMIC. Contact your ISP to get a STATIC IP address for the camera.
- 3 Configure your IP Camera's TCP/IP settings for network connectivity by selecting Setup from the main interface and selecting TCP/IP located on the left of the setup screen.

- 4 If prompted for ID and password, use 'admin' for both entries. The default web port number is 80. If port 80 is blocked by the ISP, use a value between 1025 - 60000. If TCP port 80 is blocked, contact your ISP.
- 5 The following descriptions are several basic network scenarios. Determine which scenario describes your network. If your network does not match one of the scenarios below and you are unsure how to setup your IP camera, contact your network administrator.

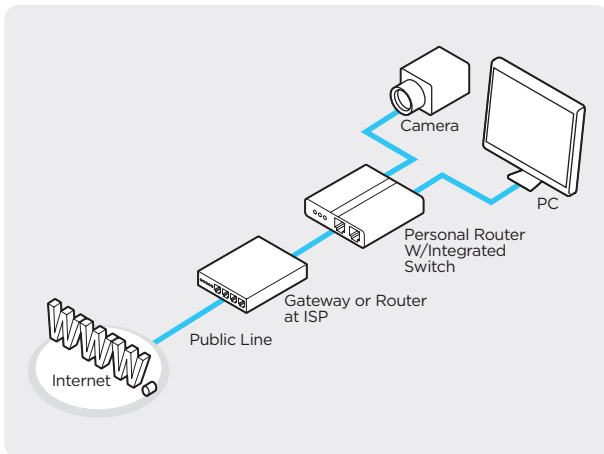
**i** You cannot control the rectangular gray areas and only the ISP has access to the devices.

# Network Setup - Setup Case A, B

## Case A: Dynamic IP + Personal Router [Most SOHO]



## Case B: Static(Fixed) IP + Personal Router [Efficient]



## Configure your IP Camera's TCP/IP properties:

1 Network Type: STATIC (even though you have Dynamic IP from your ISP, use STATIC on the IP camera).

2 Internet Address: A private IP address such as 192.168.0.200 (example)

**i** You need to assign an IP address to the IP Camera just as you do with PC.

**i** The IP address you assign must be unique to your network and match your network as well.

For information on how to choose a unique IP and match your network, read the FAQ.

**i** The IP address you assign must be a private IP. For information on how to choose a private IP please, read the FAQ.

3 Subnet Mask: 255.255.255.0 (example)

**i** You must use the same subnet mask as the one you noted under 'Current TCP/IP Settings'.

4 Default Gateway: 192.168.0.1 (example)

**i** This IP address must be the IP address of your router. (private or LAN side)

**i** Use the same Default Gateway you noted under 'Current TCP/IP Settings'.

5 Preferred DNS Server: Use the 1st DNS Server from 'Assigned IP Address from My ISP'.

**i** If you did not receive any IP addresses from your ISP, contact the ISP and acquire the IP address of their DNS server.

6 DDNS Server: Use the DDNS server.

**i** This is the same site you will register later to accommodate dynamic IP from your ISP.

7 Web Port: 8888

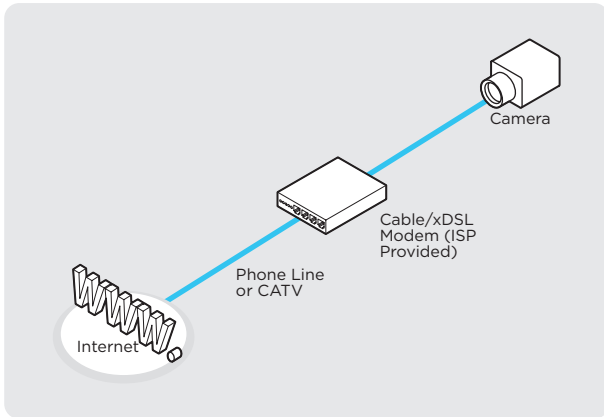
**i** Do not use the default port 80 as this number must be changed.

**i** Select a number between 1025 - 60000.



# Network Setup - Setup Case C, D

## Case C: Static(Fixed) IP [Dedicated line directly to the IP Camera]



### Configure your IP Camera's TCP/IP properties:

- 1 Network Type: STATIC
- 2 Internet Address: A static IP address received from your ISP such as 24.107.88.125 (example)

**i** You need to assign an IP address to the IP Camera just as you do with PC.

- 3 Subnet Mask: Subnet mask assigned from your ISP such as 255.255.255.240 (example)
- 4 Default Gateway: 24.107.88.113 (example)

**i** Use the assigned default gateway from your ISP.

- 5 Preferred DNS Server: Use the 1st DNS Server from 'Assigned IP Address from My ISP'

**i** If you have not received any IP addresses from your ISP, contact them to acquire the IP address of their DNS server.

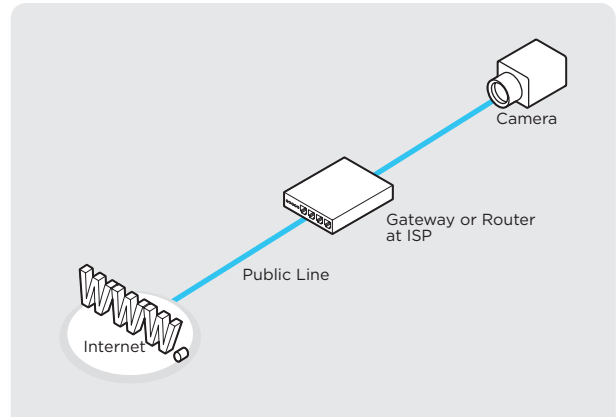
- 6 DDNS Server: Use the DDNS server

**i** This is the same site you will register later to utilize our DDNS service.

- 7 Web Port: 80

**i** Select a number between 1025 - 60000.

## Case D: Dynamic IP + DSL/Cable Modem [Connected directly to the IP Camera]



- 1 To connect the IP Camera directly to a modem, power down and reset the modem. Leave the modem powered down until the IP camera's setup is completed and the IP camera has been connected to the modem. Then power on the modem, followed by the IP camera.

### Configure your IP Camera's TCP/IP properties:

- 1 Network Type: DYNAMIC
- 2 DDNS Server: Use the DDNS server

**i** This is the same site you will register later to accommodate dynamic IP from your ISP.

- 3 Web Port: 80

**i** Select a number between 1025 - 60000.

# Network Setup - Port Forwarding

---

**After entering the correct TCP/IP settings, you are ready for 'Port Forwarding' (Cases A, B).**

- 1 Use the table below to note your camera's TCP/IP settings for future reference. You may need this information to access your IP Camera and to configure 'port forwarding'.

| IP camera TCP/IP settings |  |
|---------------------------|--|
| IP address                |  |
| Subnet mask               |  |
| Default gateway           |  |
| Preferred DNS server      |  |
| DDNS server               |  |
| Web port                  |  |

- 2 After clicking 'Apply', the system will prompt for a reboot. Please allow the system 50 seconds to reboot and accept the changes. After 50 seconds, close the configuration screen. The view will display 'Trying to Reconnect'.  
If the ACTIVE light on the IP Camera has gone off and is now back on again flashing, the IP Camera has rebooted. After the system reboots completely, remove the power supply from the unit and close Internet Explorer.
- 3 Return your PC/Laptop TCP/IP properties to their original settings.
- 4 Before installing the IP camera, you must perform port forwarding on your router (Cases A, B).  
You will need to forward 1 port:
  - Web Port: All the ports will be forwarded to the IP address you assigned to the IP Camera.  
In the example above, you would forward:
    - 8888 > 192.168.0.200

# Network Setup - Starting IP Camera

---

**After forwarding correctly the Web Port, through your router (if applicable), install the IP Camera in a proper location.**

- 1 Locate the serial number located on the label attached to the bottom of the IP camera, you will need this for DDNS registration.
- 2 Connect the IP Camera to your router or cable/DSL modem (per your network scenario) via a Cat5/5e UTP Ethernet network cable.
- 3 Supply power to the IP camera.
- 4 After 1 minute, verify the IP camera indicators:
  - LINK: Flickering/Solid
- 5 After configuring port forwarding on your computer (if necessary), access your IP camera on your local network by opening Internet Explorer and specifying the IP address and web port assigned to the IP camera.

**i** Examples: <http://192.168.0.200:8888> or <http://24.106.88.123>

**i** If you left your web port as 80, you do not need to specify the port in the address bar to access the IP camera.

- 6 Access your IP camera via the Internet :

---

If you use cases B, C:

1. Open Internet Explorer.
2. Type the address of the IP camera.
3. If you use a router, enter the routers' static IP and the web port number of the IP camera.

---

If you use cases A, D:

1. Open Internet Explorer and go to your DDNS website.
2. Register the IP camera.
3. Reboot the IP camera.
4. Give the DDNS server 10 minutes to locate your IP camera's IP information.
5. Click the refresh button in Internet Explorer.
6. After your camera is connected, select your camera.

**i** The difference between B and C is that B needs to set the port forwarding.

**i** Since the type of DDNS differs from the service type, refer to the related service site.

# Appendix

## FAQ

---

### 1. My POWER light is not on?

Power is not being supplied to the unit. Please use the power supply shipped with the unit and verify that a power source is active from the attached power outlet used to connect the adapter. You can test this by plugging in any other electrical device and verify its operation. After using the power supply shipped with the product, check the power source, and reinserting the power connector into the IP Camera, please call our Support Center. The power supply may be defective.

### 2. My ACTIVE light is not flashing?

Verify the power supply to the unit. Power off the unit and back on again, wait 1 minute, if the ACTIVE light still does not begin to flash, you will have to set the unit to its factory default (THIS WILL DELETE ANY CONFIGURATION AND SET THE UNIT TO THE FACTORY DEFAULTS). Power on the unit and insert the end of a paper clip into the small recessed opening on the back of the unit. Use the clip to press the button located within that opening.

### 3. My LINK light is not flashing or solid?

Verify the cable connection. 99% of the time the cable's connection to the unit is causing this problem. Try using a different network cable or crossover cable (for PC connection only). Try reinserting the cable, if this still doesn't solve the problem call our Support Center.

### 4. I can access the video server on my LAN, but not from the Internet.

Verify that your router (if applicable) has port forwarding properly configured. If accessing from our DDNS service, verify the correct serial number. Firewall issues may prevent user access.

### 5. How do I open an MS-DOS or Command Prompt?

Start > (All) Programs > Accessories > Command Prompt

### 6. How do I find out my IP address information if my settings were automatically detected?

1) Open a Command Prompt  
2) At the prompt type - "ipconfig / all" (without the quotes)  
3) Near the end of the information supplied, should be your current IP address, subnet mask, default gateway and DNS servers

### 7. I can't connect!!

In the case of a connection failure.  
Modem Reboot > Modem Reboot Finished > Router Reboot > Router Reboot Finished > IP Camera Reboot > IP Camera Reboot Finish > Verify DDNS and IP Camera connection, if applicable.

### 8. How do I "PING" an IP address?

1) Open an MS-DOS (or Command) prompt  
2) At the prompt type - "ping xxx.xxx.xxx.xxx" (without the quotes and replace the "x" s with an IP address)  
3) Press Enter

### 9. I'm accessing my video server remotely over the Internet and the video stream is choppy, is this normal?

Yes. The frames per second received remotely are determined by your bandwidth capabilities both at your site where the IP Camera is installed and your remote location. The lower of the two sites will determine how fast your video stream is received. It is recommended to have at least a 256Kb/sec upstream connection from the site where the IP Camera is installed. Lower speeds will operate properly but provide poor remote performance. The Faster the Internet connection at both ends, the faster the video stream.

### 10. How do I enable or check VLC on my browser

---

Internet Explorer

Open Internet Explorer > Tools on the menu bar > Internet Options > Security Tab > Custom Level > Scroll down and verify that you are prompted or have enabled plug-ins to be downloaded and executed. > click OK > restart browser.

---

Chrome

Open Chrome > Chrome menu settings > Advanced settings > Individual information - content settings > Run automatically

---

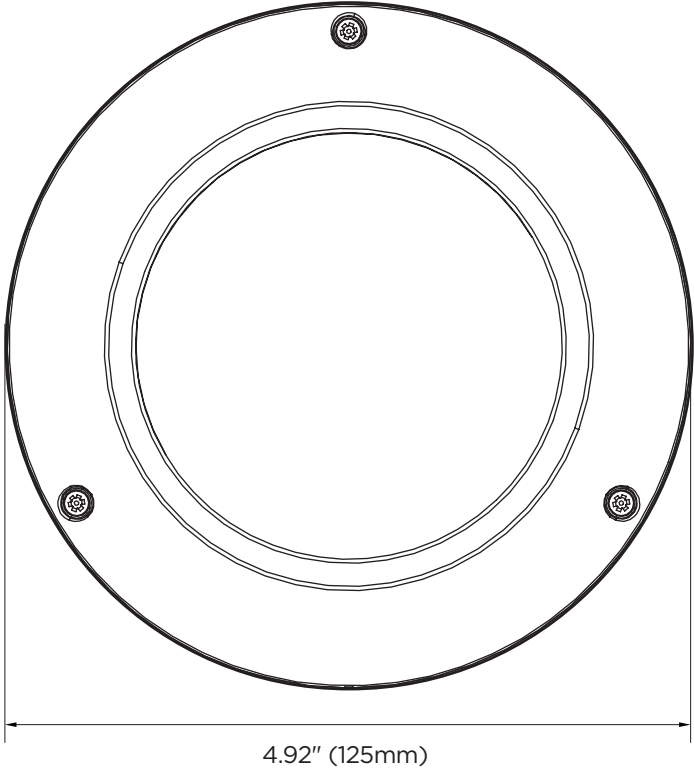
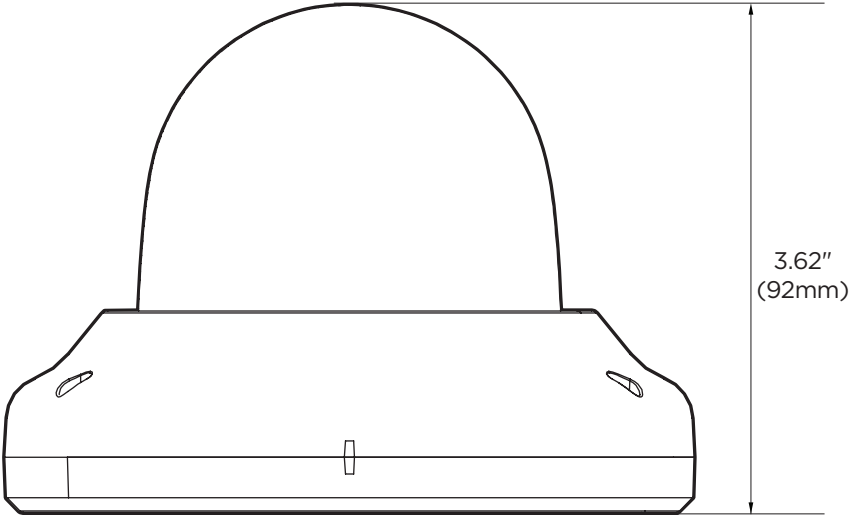
### 11. How do I reset the unit to factory defaults?

Refer to the previous functions page and find the reset button. Power ON the unit and use a paper clip to push the reset button within that opening. You should then see the ACTIVE light turn off and after a few seconds, the ACTIVE light will begin to flash, signifying a successful reboot. If the ACTIVE light does not turn off after depressing the reset button, please try holding the button in for a few seconds and releasing it. YOU WILL LOSE ALL DATA THAT HAD BEEN ENTERED PREVIOUSLY AND THE IP CAMERA WILL BE SET TO ITS FACTORY RESET.

# Specifications - Dimension

---

Unit: inches (mm)



# Specification - Spec.

| CAMERA                 |   |
|------------------------|---|
| Image sensor           | 1/2.8" 4K CMOS  |
| Total pixels           | DWC-M(P)VC8WiATW:<br>3864(H) x 2228(V)  |
|                        | DWC-M(P)VC8Wi28TW:<br>3952(H) X 2320(V)   |
| Focal length           | DWC-M(P)VC8WiATW:<br>2.7-13.5mm, F1.4 / MFZ   |
|                        | DWC-M(P)VC8Wi28TW:<br>2.8mm, F2.0   |
| Horizontal angle       | DWC-M(P)VC8WiATW:<br>D: 38.2°-105°, H: 33.1°-90.3°,<br>V: 18.9°-49°                               |
|                        | DWC-M(P)VC8Wi28TW:<br>D: 123.5°, H: 105.5°, V: 56.3°  |
| Shutter speed          | Auto / manual (1/15 - 1/32000),<br>anti-flicker, slow shutter (off, 2X,<br>3X, 5X, 6X, 7.5X, 10X) |
| MIN. illumination      | DWC-M(P)VC8WiATW:<br>0.043 lux, 0 lux with IR (F1.5)  |
|                        | DWC-M(P)VC8Wi28TW:<br>0.18Lux, 0Lux with IR (F2.0)  |
| IR                     | 100ft   |
| Day and night          | TDN (True day and night)  |
| WDR                    | WDR (DOL)   |
| Pan/tilt/zoom          | Z: X2.7 optical zoom  |
| DNR                    | 3D-DNR  |
| Privacy zone           | 16 programmable zones   |
| AGC                    | Auto  |
| Other image processing | Configurable exposure, white<br>balance, sharpness  |

| ENCODER (VIDEO AND AUDIO)              |   |
|--|---|
| Video Compression                      | H.264, H.265, MJPEG   |
| H.264 Profile                          | MP / HP   |
| H.265 Profile                          | MP  |
| Multiple Profile Streaming Performance | H.265: QFHD/1080p/720p/VGA/<br>D1/CIF<br>H.264 QFHD/1080p/720p/VGA/<br>D1/CIF<br>MJPEG: 1080p/720p/800x600/<br>VGA/768x432/D1/CIF |
| Video Bitrate                          | 100kbps ~ 10Mbps, Multi-rate for<br>Preview and Recording   |
| Bitrate Control                        | Multi Streaming CBR/VBR at<br>H.264, H.265 (Controllable frame<br>rate and Bandwidth)   |
| Edge Storage                           | Micro SD Card (SD/SDHC/SDXC)  |

| I/O AND EVENT                |  |
|------------------------------|--|
| Audio in/out                 | 1 (1.0Vrms, 3kΩ)/1                         |
| Alarm in/out                 | 1 / 1                                      |
| Video output (2nd video out) | 1 CVBS 1.0V p-p (75Ω), 4:3 aspect<br>ratio |
| Event notification           | FTP, E-mail, alarm out, SD card            |

| SECURITY AND NETWORK |  |
|----------------------|--|
| Network protocol     | IPv4: TCP/IP, UDP, AutoIP, RTP<br>(UDP/TCP), RTSP, NTP, HTTP,<br>HTTPS, SSL, DNS, DDNS, DHCP,<br>FTP, SMTP, ICMP, SNMPv1/v2/v3<br>(MIB-2), ONVIF |
| Security             | HTTPS (TLS), IP filtering, 802.1x,<br>Digest Authentication (ID/PW)  |
| Plugin               | CGI, API, ONVIF  |

| GENERAL           |  |
|-------------------|--|
| Support languages | English  |
| Power:            | DWC-M(P)VC8WiATW:<br>DC12V: max 9.3W<br>POE IEEE 802.3af Class3: max<br>11.6W                            |
|                   | DWC-M(P)VC8Wi28TW:<br>DC12V: max 8W<br>POE IEEE 802.3af Class3: max<br>9.6W<br>(Adaptor is not Included) |
| Temperature       | -20°C ~ 50°  |
| Material          | Aluminum die-casting   |
| Dimensions (DXH)  | 4.92" x 3.62" (125 x 92mm)   |
| Weight            | 1.14 lbs (0.52 kg)   |
| Certification     | FCC, CE, ROHS, IP67, IK10  |

# Warranty Information

---

Go to <https://digital-watchdog.com/page/rma-landing-page/> to learn more about Digital Watchdog's warranty and RMA.

To obtain warranty or out of warranty service, please contact a technical support representative at: 1+ (866) 446-3595, Monday through Friday from 9:00 AM to 8:00 PM EST.

A purchase receipt or other proof of the date of the original purchase is required before warranty service is rendered. This warranty only covers failures due to defects in materials and workmanship which arise during normal use. This warranty does not cover damages that occurs in shipment or failures which are caused by products not supplied by the Warrantor or failures which result from accident, misuse, abuse, neglect, mishandling, misapplication, alteration, modification, faulty installation, setup adjustments, improper antenna, inadequate signal pickup, maladjustments of consumer controls, improper operation, power line surge, improper voltage supply, lightning damage, rental use of the product or service by anyone other than an authorized repair facility or damage that is attributable to acts of God.

# Limits and Exclusions

---

There are no express warranties except as listed above. The Warrantor will not be liable for incidental or consequential damages (including without limitation, damage to recording media) resulting from the use of these products, or arising out of any breach of the warranty. All express and implied warranties, including the warranties of merchantability and fitness for a particular purpose, are limited to the applicable warranty period set forth above.

Some states do not allow the exclusion or limitation of incidental or consequential damages or limitations on how long an implied warranty lasts, so the above exclusions or limitations may not apply to you. This warranty gives you specific legal rights, and you may also have other rights from vary from state to state.

If the problem is not handled to your satisfaction, then write to the following address:

Digital Watchdog, Inc.  
ATTN: RMA Department  
16220 Bloomfield Ave  
Cerritos, CA 90703

Service calls which do not involve defective materials or workmanship as determined by the Warrantor, in its sole discretion, are not covered. Cost of such service calls are the responsibility of the purchaser.





*Complete Surveillance Solutions*

DW® East Coast office and warehouse: 5436 W Crenshaw St, Tampa, FL USA 33634  
DW® West Coast office and warehouse: 16220 Bloomfield Ave, Cerritos, CA USA 90703

PH: 866-446-3595 | FAX: 813-888-9262

[www.Digital-Watchdog.com](http://www.Digital-Watchdog.com)

[technicalsupport@dwcc.tv](mailto:technicalsupport@dwcc.tv)

Technical Support PH:

USA & Canada 1+ 866-446-3595

International 1+ 813-888-9555

French Canadian: + 1-904-999-1309

Technical Support Hours: Monday-Friday 9 a.m. to 8 p.m. Eastern Time