



MEGAPIX® IVA+™ models	MEGAPIX® IVA™ models
DWC-MPVC8WiATW	DWC-MVC8WiATW
DWC-MPVC8Wi28TW	DWC-MVC8Wi28TW



Default login information: admin | admin

When logging into the camera for the first time, you will be prompted to set up a new password. You can set the new password using the DW® IP Finder™ software or directly from the camera's browser menu.

WHAT'S IN THE BOX

Star Wrench		1	Mounting Bolt and Screws		1 set
Test Monitor Cable		1	Moisture Absorber and Installation Guide (Recommended)		1
Screws and Plastic Anchors - 2pcs		1 set	RJ45 Installation Tool		1
Mounting Template		1	Quick Setup and Download Guides		1 set
Grommet		1			

NOTE: Download all your support materials and tools in one place

- Go to: <http://www.digital-watchdog.com/resources>
- Search your product by entering the part number in the 'Search by Product' search bar. Results for applicable part numbers will populate automatically based on the part number you enter.
- Click 'Search'. All supported materials, including manuals and quick start guide (QSGs) will appear in the results.



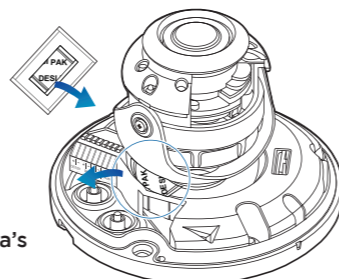
Attention: This document is intended to serve as a quick reference for initial set-up. It is recommended that the user read the entire instruction manual for complete and proper installation and usage.

STEP 1 - PREPARING TO MOUNT THE CAMERA

- The mounting surface must withstand five times the camera weight.
- Do not let the cables get caught in improper places or the electric line cover can be damaged. This may cause a short or fire.
- For the installation process, remove the dome cover from the camera module by loosening the three (3) screws on the dome. Use the wrench provided with the camera.

4. Install the moisture packet in the base of the camera's lens.

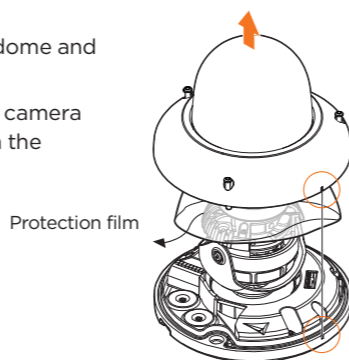
- Remove the existing packet from the camera's base.
- Insert the new moisture absorber packet in its place, as seen in the diagram below.
- Place the moisture absorber under the camera's lens module.



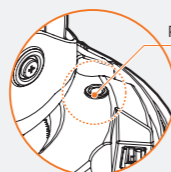
NOTE: The camera will generate enough heat to dry moisture during operation. In most cases it will not need the moisture absorber for more than the first day. In cases where the camera can experience a moisture issue, users must keep the moisture absorber in the camera. The moisture absorber has an approximately 6-month life cycle, varying depending on the environment.

WARNING: It is highly recommended that you install the moisture absorber when mounting the camera. The moisture absorber prevents moisture from being captured inside the camera's housing, which may cause image performance issues and damage the camera.

- Remove the protection film between the dome and the camera module.
- Using the mounting template sheet or the camera itself, mark and drill the necessary holes in the mounting surface.



WARNING DO NOT TOUCH THE SURFACE OF THE BUBBLE. CleanView™ Hydrophobic Dome Coating has been applied to the camera's dome.



Reset Button

Resetting the camera: To reset the camera, press the reset button. The system will initiate a camera-wide reset of all the settings, including network settings.

STEP 2 - CABLING THE CAMERA TO EXTERNAL DEVICES

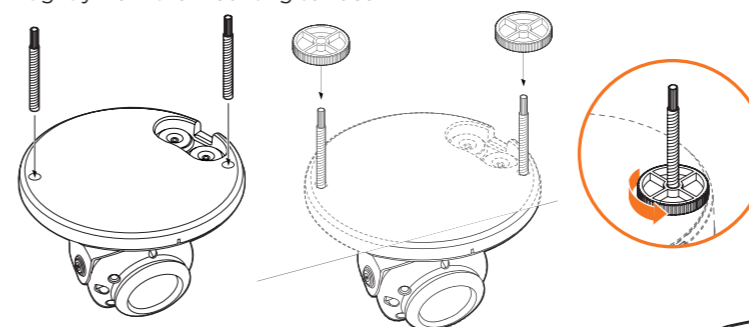
Pass the wires through the mount bracket and make all necessary connections.

- If you are using a PoE switch, connect the camera using an Ethernet cable for both data and power.
- If you are using a non-PoE switch, connect the camera to the switch using an Ethernet cable for data transmission and use a power adapter to power the camera.

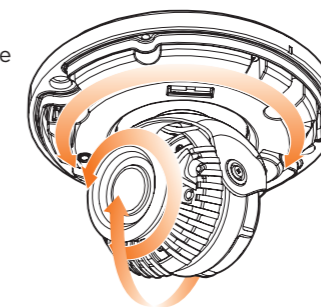
Power requirements	Power requirements	Power consumption
DWC-MVC8WiATW DWC-MPVC8WiATW	DC 12V, PoE (IEEE 802.3af Class 3). (Adapter not included)	DC12V: 9W PoE: 11.52W
DWC-MVC8Wi28TW DWC-MPVC8Wi28TW		DC12V: 10W PoE: 13W

STEP 3 - INSTALLING THE CAMERA

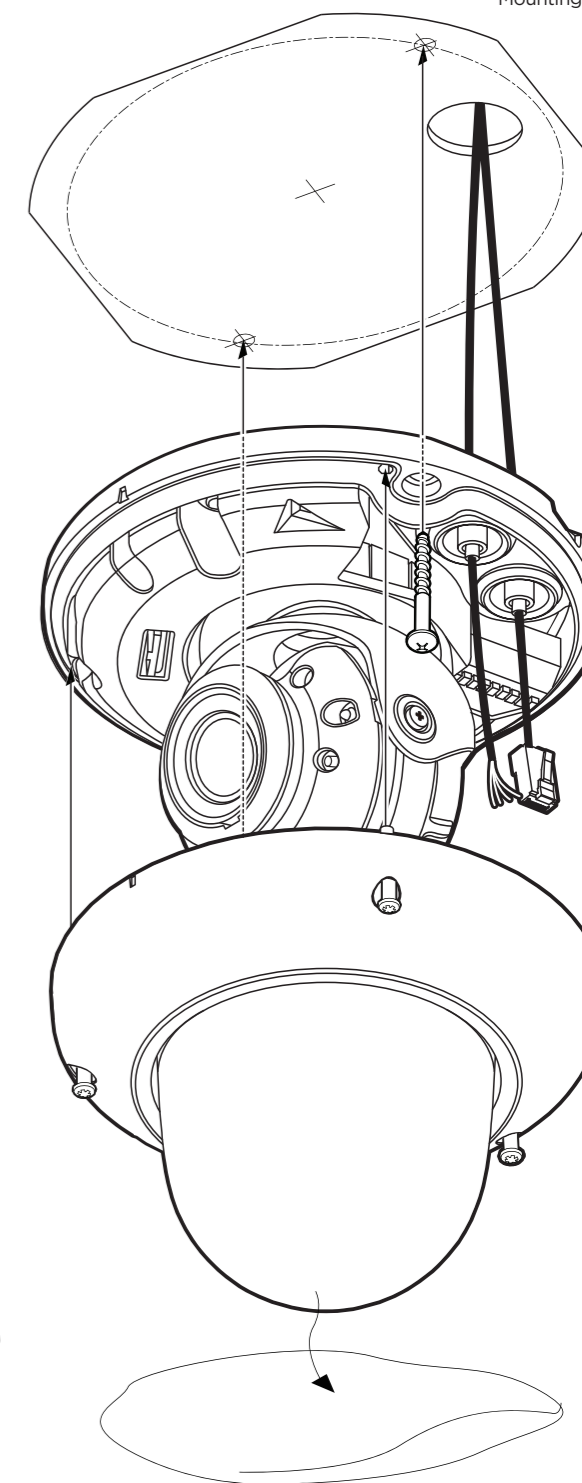
- Attach the camera to the mounting surface using the included anchors and screws.
- To mount the camera using the mounting bolt and screws:
 - Secure the two long mounting screws to the camera's base.
 - Mount the camera to the mounting surface using the 2 mounting nuts.
 - Rotate the locking discs over the screws until the camera is held tightly from the mounting surface.



- Adjust the camera's lens position to the necessary angle. The camera's max tilting angle is 75°. The max rotation angle is 375°. The max panning angle is 345°.
- Assemble the dome cover over the camera body. Be sure to assemble the dome and bottom case to match the case outline. When the installation is completed, remove the protective film.



Mounting template

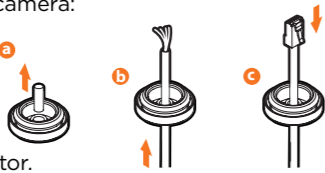


STEP 4 – CABLING

1. **Network cable** - To connect an RJ45 cable to the camera:

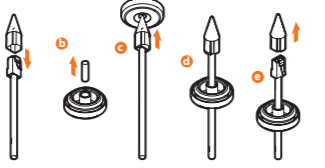
Option A (Recommended):

- Remove the grommet plug.
- Pass the network cable through the grommet at the base of the camera.
- Once the cable is through, add the RJ45 connector.



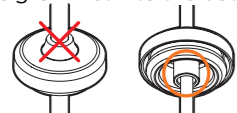
Option B:

- Attach the included RJ45 installation tool to the network cable.
- Remove the grommet plug.
- Pass the network cable through the grommet. Pay attention to the direction of the grommet connection.
- Once the cable's connector is through, remove the installation tool.



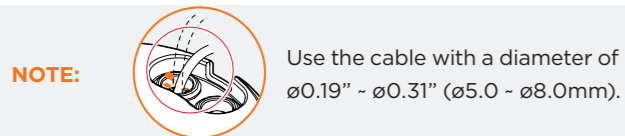
Once the network cable is passed through the grommet:

- Insert the grommet into the bottom the camera base.



NOTE: Bending the cable may cause water leakage.

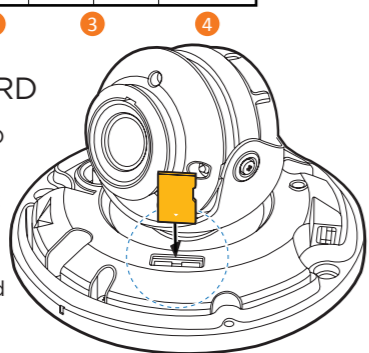
- Connect the RJ45 into the camera's network input at the base of the camera.



NOTE: Use the cable with a diameter of 0.19" ~ 0.31" (ø5.0 - ø8.0mm).

- Power** - If you are using a non-PoE switch, connect the camera to an adequate power adapter to power the camera.
- Sensor/alarm input and output** - connect an external sensor input and alarm output to the camera's terminal block.
- Audio input** - use the camera's audio-in port to connect a microphone or "line out" port of an amplifier.

+	-	+	-	+	-	IN	COM	OUT
DC12V	DI	DO	AUDIO					



STEP 5 – MANAGING THE SD CARD

- To install the camera's SD Card, locate the SD card slot at the base of the camera.
- Insert a class 10 SD card into the SD card slot by pressing the SD card into the slot until it clicks into position.
- To remove the SD card, press the card inward to release from the card slot.

STEP 6 – DW® IP FINDER™

Use the DW® IP Finder™ software to scan the network and detect all MEGApix® cameras, set the camera's network settings or access the camera's web client.

Thumbnail view

Select network to scan

Filter results

Scan network

Show/hide thumbnail view

Refresh thumbnail view

Bulk IP assignment

Bulk password assignment

Firmware upgrade

Selected camera's username and password

Firmware version

Camera's uptime

Open IP configuration settings

Ping camera

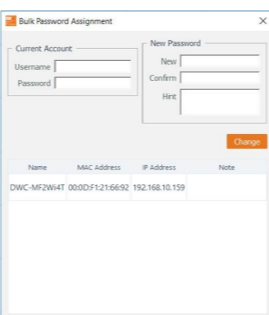
Camera's network information

Camera's name, IP and MAC addresses

Name	IP Address	Model	MAC Address	Netmask	Gateway	Port	DHCP	Version	Ping Test	IP Conf.	Uptime
DWC-MPTZ30X	192.168.150.38	DWC-MPTZ30X	00:07:08:19:10:1A	255.255.255.0	192.168.150.1	80	Disabled	1.9.94-X2_release	Ping	Click	
DWC-MV44WA	192.168.150.49	DWC-MV44WA	00:0D:F1:21:53:8F	255.255.255.0	192.168.150.1	80	Disabled	A2.01.02_20180619	Ping	Click	28day 14hrs 1mins
DWC-PZ21M69T	192.168.150.4	DWC-PZ21M69T	00:0D:F1:21:29:21	255.255.255.0	192.168.150.1	80	Disabled	AS.01.03_20180403	Ping	Click	39day 15hrs 54mins
DWC-PVX16W4	192.168.150.4	DWC-PVX16W4	00:0D:F1:21:5C:AD	255.255.255.0	192.168.150.1	80	Disabled	S2.01.03_20180309	Ping	Click	56day 16hrs 46mins
DWC-PFSM1TR	192.168.150.61	DWC-PFSM1TR	00:0A:61:1A:00:14	255.255.255.0	192.168.150.1	80	Disabled	-	Ping	Click	--
DWC-PVF9M2TR	192.168.150.62	DWC-PVF9M2TR	00:0A:61:1A:26:E7	255.255.255.0	192.168.50.1	80	Disabled	-	Ping	Click	--
DWC-MF4WH	192.168.150.63	DWC-MF4WH	00:0D:F1:20:FB:60	255.255.255.0	192.168.150.1	80	Disabled	A2.01.02_20180619	Ping	Click	28day 14hrs 0mins

Network Setup

- To install the DW IP Finder, go to: <http://www.digital-watchdog.com>
- Enter "DW IP Finder" on the search box at the top of the page.
- Go to the "Software" tab on the DW IP Finder page to download the installation file.
- Follow the installation to install the DW IP Finder. Open the DW IP Finder and click 'Scan Devices'. It will scan the selected network for all supported devices and list the results in the table. During the scan, the DW® logo will turn gray.
- When connecting to the camera for the first time, a password must be set. To set up a password for your camera:
 - Check the box next to the camera in the IP Finder's search results. You can select multiple cameras.
 - Click "Bulk Password Assign" on the left.
 - Enter admin/admin for the current username and password. Enter a new username and password to the right.
 - Click "change" to apply all changes.
- Select a camera from the list by double-clicking on



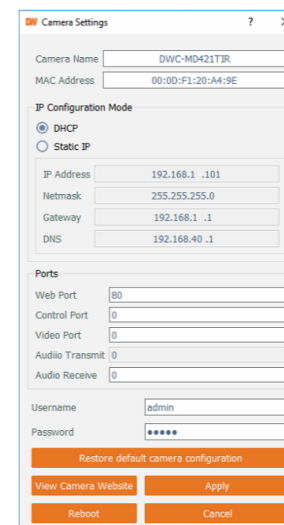
the camera's image or clicking on the 'Click' button under the IP Conf. column. The pop-up window will show the camera's current network settings, allowing admin users to adjust the settings as needed.

- To access the camera's web page, click on the 'View Camera Website' from the IP Config window.
- To save changes made to the camera's setting, enter the username and password of the camera's admin account and click 'Apply'.

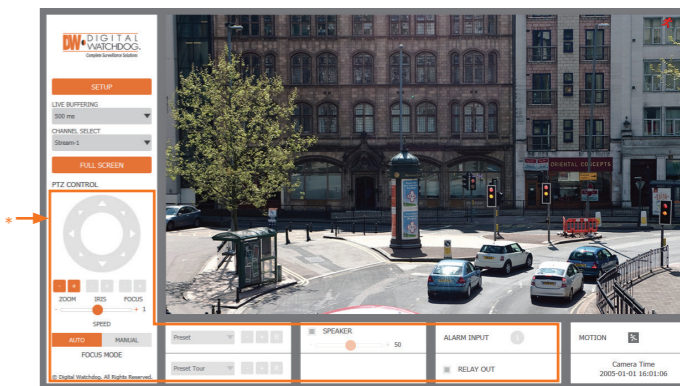
- Select DHCP to allow the camera to receive its IP address automatically from the DHCP server.
- Select "Static" to manually enter the camera's IP address, (Sub)Netmask, Gateway and DNS information.
- The camera's IP must be set to static if connecting to Spectrum® IPVMS. Contact your network administrator for more information.

Default TCP/IP information: DHCP.

Port forwarding must be set in your network's router to access the camera from an external network.



STEP 6 – WEB VIEWER

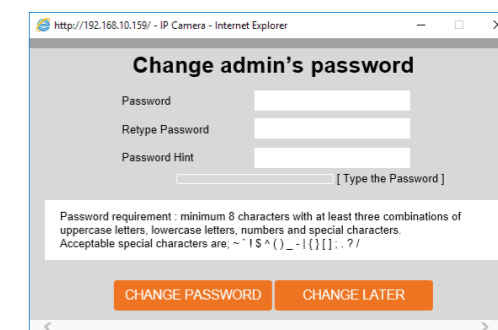


The GUI display may differ by camera models.

Once the camera's network settings have been setup properly, you can access the camera's web viewer using the DW® IP Finder™.

To open the camera's web viewer:

- Find the camera using the DW® IP Finder™.
- Double-click on the camera's view in the results table.
- Press the 'View Camera Website'. The camera's web viewer will open up in your default web browser.
- Enter the camera's username and password you setup in the DW® IP Finder™. If you did not setup a new username and password via the DW® IP Finder™, you will not be able to view the video from the camera. A message will direct you to setup a new password for the camera to view the video.



- When accessing the camera for the first time, install the VLC player for web files to view video from the camera.

NOTE: Some menu options may not be available based on the camera model. See the full manual for more information.

NOTE: Please see the full product manual for web viewer setup, functions and camera settings options.