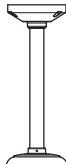
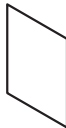


## Ceiling Mount Bracket for Dome Cameras

DWC-P20CM2



### WHAT'S IN THE BOX

|                       |   |       |            |   |       |
|-----------------------|---|-------|------------|---|-------|
| Ceiling Mount Bracket |  | 1 Set | QSG Manual |  | 1 Set |
|-----------------------|---|-------|------------|---|-------|

**NOTE** Download All Your Support Materials and Tools in One Place

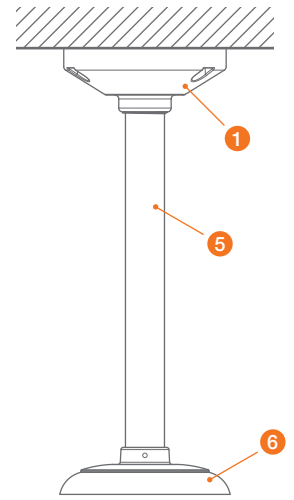
1. Go to: <http://www.digital-watchdog.com/support-download/>
2. Search your product by entering the part number in the '**Search by Product**' search bar. Results for applicable part numbers will populate automatically based on the part number you enter.
3. Click '**Search**'. All supported materials, including manuals, Quick Start Guides (QSG), software and firmware will appear in the results.

**Attention:** This document is intended to serve as a quick reference for initial set-up.

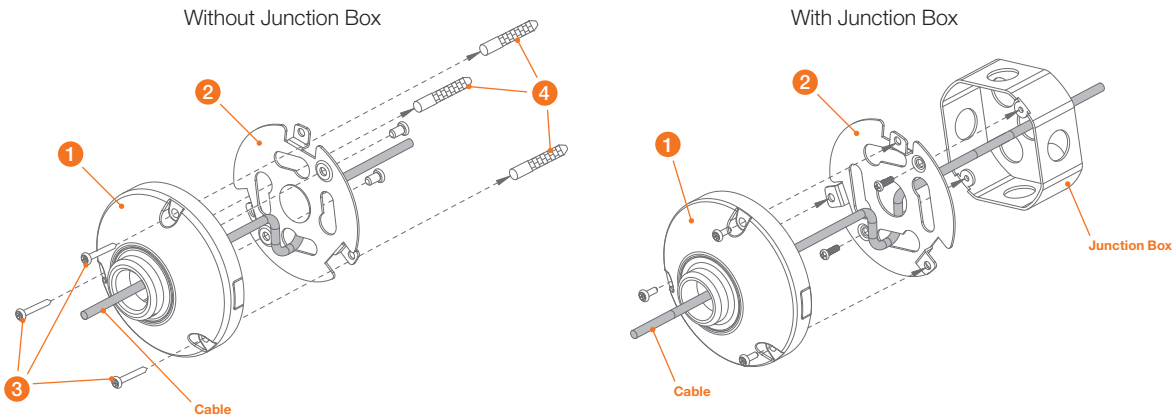
It is recommended that the user read the entire instruction manual for complete and proper installation and usage.

## INSTALLING THE MOUNTING ACCESSORY

- A. Attach the mount base (1) and plate (2) to the ceiling or wall using the supplied M6 tapping screws (3) and plastic bushings (4).
- B. Wind Teflon tape around both threaded ends of the pipe (about 20 times) for sealing. If necessary, use a silicone rubber sealant to seal the area where the mount base and the pipe meet.
- C. Fit the pipe (of which threads are covered by Teflon tape) into the mount base (1) and turn until it is securely fastened.
- D. Pull all the required cables through the mount base (1) and pipe (5).
- E. Align the dome adaptor (6) with the pipe and turn until it is securely fastened.
- F. Fasten the mount base (1), dome adaptor (6) using the set screw.
- G. Fasten the vandal proof dome housing to the dome adaptor (6) using M6 x 12 machine screw.

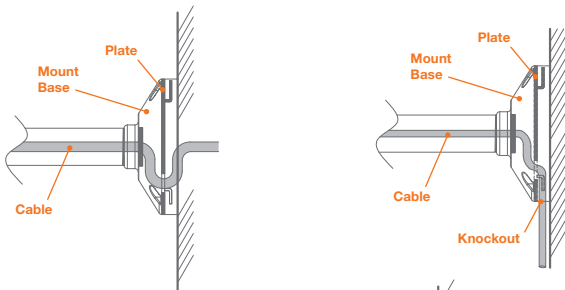


### How to install the plate

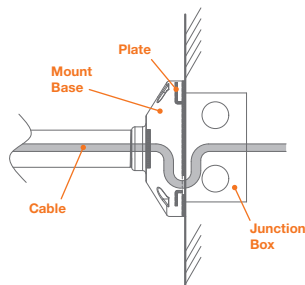


### Specifications

1. Cable passing through the wall
2. Cable on the wall (Remove the conduit knockout for cable passing through)



3. Cable passing through the wall with the junction box (Attention to the plate side)



### Dimensions (mm)

