

## Parapet mount bracket for white IP PTZ cameras

**DWC-P336PARAMW**



### WHAT'S IN THE BOX

1x Teflon tape	12x hex screws (M10x30)
3x nuts (M6)	12x nuts (M10)
3x wrench screws (M6x30)	12x spring washers (M10)
1x hex Allen wrench (2.5)	12x flat washers (M10)
1x hex Allen wrench (5)	1x quick setup guide

**NOTE:** Download all your support materials and tools in one place.

1. Go to: <http://www.digital-watchdog.com/resources>
2. Search your product by entering the part number in the **'Search by Product'** search bar. Results for applicable part numbers will populate automatically based on the part number you enter.
3. Click **'Search'**. All supported materials, including manuals and quick start guide (QSGs) will appear in the results.

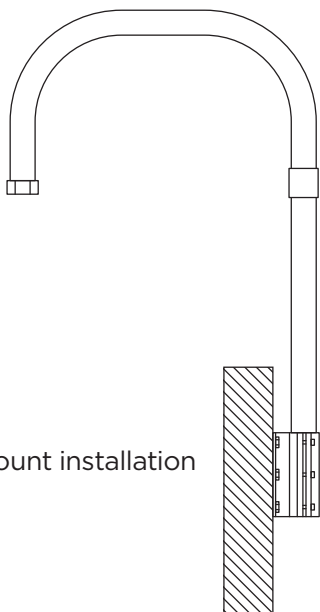
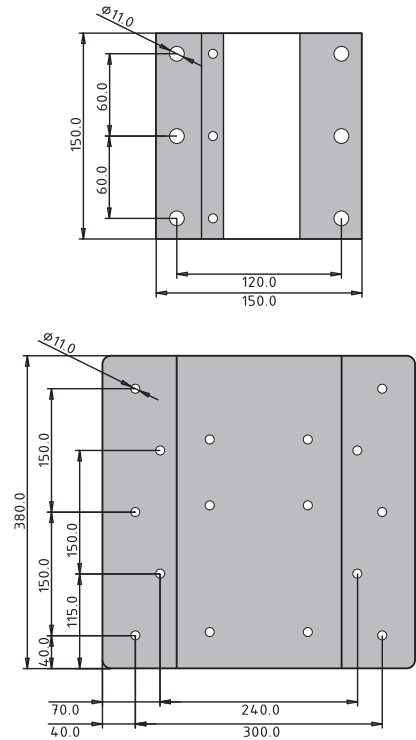


## INSTALLING THE MOUNTING ACCESSORY

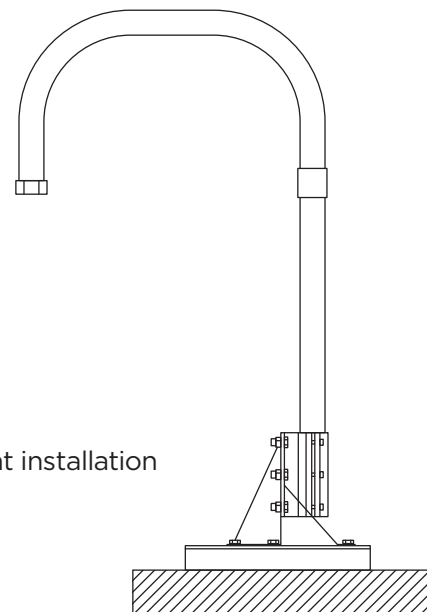
### Before the installation

1. The hardware necessary to install the mount depends on your installation requirements.
2. The mount has pre-drilled holes for use with 3/8-16 (M10) type hardware (recommended). Use as many of the mounting holes as possible.
3. Multiple fastening positions facilitate mounting flexibility. For a roof or parapet installation, mount the camera using a minimum of five fasteners on each side of the mounting plate.
4. Adding a sealant around the bolt holes between the mount and mounting surface can prevent damage from water leakage.
5. Be sure that the mount is installed in a location that can support the load. All mounting hardware must have a minimum pullout strength of 600 lb (272 kg) per bolt.
6. When mounting to wood, use screws long enough to penetrate at least 2.5" (64 mm).
7. When mounting to a steel structure, drill holes according to the mounting pattern.
8. When mounting to masonry or concrete, use lead anchors or expansion bolts installed according to the manufacturer's instruction.
9. Run all necessary cabling to the location selected for the installation. Pass the cables through the mount's pole and connect to the camera as needed.

Mount hole size: inch (mm)



Parapet mount installation



Roof mount installation